



Attached are page(s) from the 2006 Hilti North American Product Technical Guide. For complete details on this product, including data development, product specifications, general suitability, installation, corrosion, and spacing & edge distance guidelines, please refer to the Technical Guide, or contact Hilti.

The Hilti HIT System 4.2.2

Versatile, Easy-To-Use, Offers Faster Cure Times and Extended Temperature Ranges

Hilti System Advantages

Versatile For fastening a variety of fasteners into many different base materials within a wide range of temperatures.

Easy To Use Easy dispensing adhesive even in cold temperatures. Application-matched, compact system; simply drill and clean the hole, dispense the adhesive and insert the fastener or rebar.

Uniform Quality Mixing errors eliminated; two components of the adhesive are in separate containers and are proportional and mixed as they are dispensed.

Reliable Consistent fastenings; no expansion forces exerted on base material.

Clean No direct contact with the adhesive, since there is no manual mixing; no setting tools required.

Economical Waste is minimal since only the amount required for the job is used. If adhesive is not completely dispensed during initial usage, cartridge may be reused; one cartridge may be sufficient for several fastenings. Cartridge waste volume for disposal is also minimal.

HIT-TZ Advantages

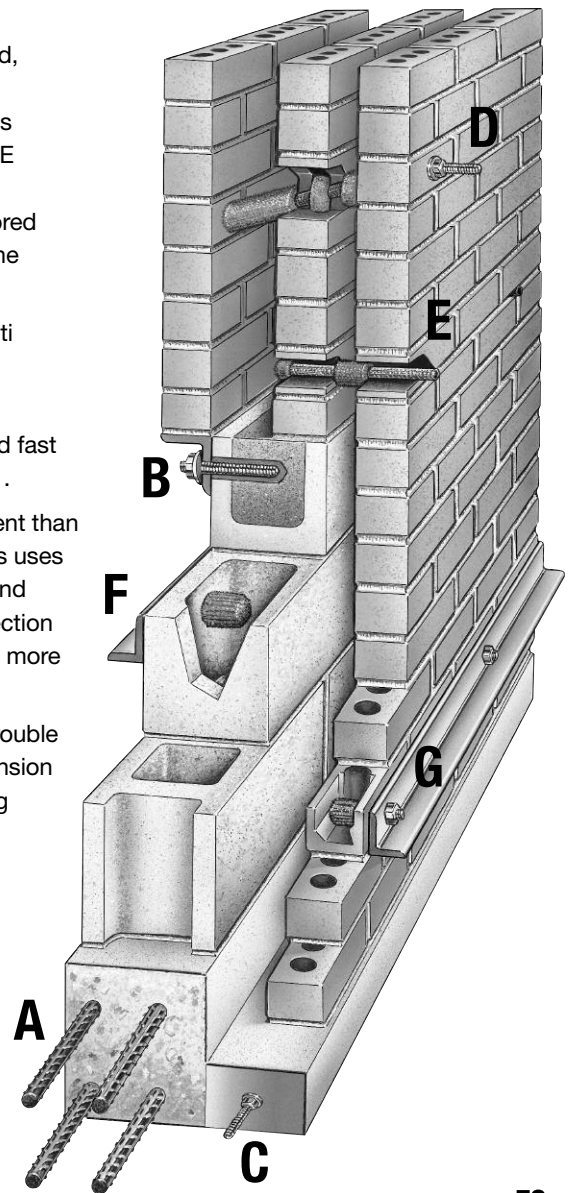
Reliable Holes may be uncleaned, waterfilled or both and the high performance remains the same as cleaned dry holes with Hilti HAS-E threaded rods at 20% deeper embedment. Even in diamond cored holes made with the Hilti EC-1, the HIT-TZ is fast and reliable.

Simple Installs easily with the Hilti HIT HY 150 MAX, HIT-ICE injection adhesive.

Fast No cleaning, less drilling and fast curing HIT HY 150 MAX, HIT-ICE .

Economical 20% less embedment than standard embedded threaded rods uses less HIT HY 150 MAX, HIT-ICE and saves drilling, cleaning and inspection time. Drill bit life is also extended more than 20%.

Secure HIT-TZ not only means trouble zones of uncleaned holes, but tension zones of concrete where cracking occurs e.g. overhead.



Hit Applications

**HIT RE 500 or
HIT HY 150 MAX, HIT-ICE**



Adhesive for fastening into solid base material such as concrete, grouted block and stone.

**A) HIT HY 150 MAX, HIT-ICE or
HIT RE 500**

Rebar doweling into solid concrete. Quick and easy.

B) HIT HY 150 MAX, HIT-ICE

Anchorage of threaded rod into solid grouted bond beam.

**C) HIT HY 150 MAX, HIT-ICE with
HIT-TZ or HAS Threaded Rods**

Anchorage to solid base materials.

HIT HY 20



Adhesive with screen tube for fastening thru masonry construction with voids.

D) HIT HY 20

With screen tube. 22.5° combination anchor for seismic upgrade in unreinforced masonry (URM) and solid brick walls.

E) HIT HY 20

With screen tube. Veneer wall pinning using rebar or HAS rods as brick tie for building renovation.

HIT HY 20 or HIT HY 150 MAX



Adhesive with screen tube for fastening to hollow block, hollow clay tile, and solid brick or with holes.

F) HIT HY 20, HY 150 MAX

With screen tube. Anchorage to face of hollow concrete block using HIT-A anchor rod or HIT-I internally threaded insert.

G) HIT HY 20, HY 150 MAX

With screen tube. Anchorage to face of brick with holes using HIT-A rods or HIT-I internally threaded inserts.

4.2.2 The Hilti HIT System

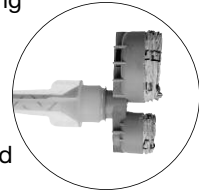
Hilti HIT HY 150 MAX, RE 500 and HIT HY 20 are also available in medium (16.9 oz.) cartridges and in large (47.3 oz.) cartridges for high-volume applications.



HIT HY and RE Refill Packs

The HIT adhesives are supplied in the revolutionary refill packs*

- Integrated piercing device in refill packs for self-opening convenience — no cutting required
- The refill pack reduces waste up to 70% when compared to conventional hard cartridges
- HIT-ICE allows easy handling even with heavy winter gloves by using co-axial hard cartridges and large twist off caps



* excluding HIT-ICE

Refill Pack Holder

The refill pack holder is a reusable, hard cartridge

- The refill pack is easily inserted in the holder and the holder in the dispenser, for quick easy use
- The holder can be used to store and transport partially used refill packs

HIT HY or RE Dispensers

- Fast, trouble free injections with a minimum of effort
- Designed and built to last
- BD 2000 Battery Dispenser for effortless dispensing

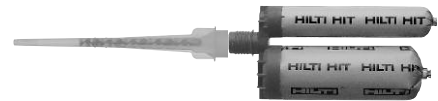


Hilti HIT-ICE



Hilti HIT RE 500 or HY 150 MAX
For Solid Base Materials

- High bond strength in solid base materials
- Virtually odor free for applications indoor or in confined spaces
- Outstanding high temperature performance suitable for use in base materials with temperatures up to 180°F with appropriate restrictions



Hilti HIT HY 20
For Hollow Base Materials

- Excellent performance in the range of hollow base materials—hollow concrete block, terra cotta, brick with holes and composites
- Fast curing in base materials from 23°F to 104°F
- Virtually odor free, with outstanding high temperature performance



PROFIS: The World's Most Powerful Anchor Design Software

- Easy to Learn – Start working in just minutes
- Fast and Powerful – Produce detailed designs quickly
- Specify with Confidence – The largest number of approvals and latest design codes

No charge.

Download now @ www.us.hilti.com



Firestop Systems

When it comes to Life Safety and building code compliance, Hilti provides complete solutions with a wide range of products and unmatched technical support.

- Firestop Systems Guides
 - Through Penetrations
 - Joint Penetrations
- FACT Program
- FS 411
- BASIC Training
- Engineering Judgements
- Firestop Design Center online @ www.us.hilti.com



Hilti Diaphragm Deck Design

The Hilti Diaphragm Deck Design Program allows designers to quickly and accurately design roof deck and composite floor deck diaphragms.

- Ability to design with innovative Hilti fasteners for frame and sidelap connection
- Creates easy to use load tables with span ranges based on user input
- Allows for different safety factors depending on load type, building code and field quality control
- Direct link to Hilti website



Hilti Online

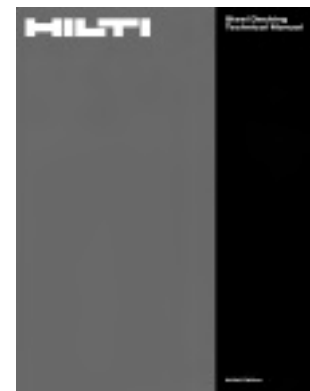
- Technical Library
- Design Centers
- Interactive Product Advisors
- Full-line Product Catalog
- Online Ordering
- Maps to Hilti locations
- "Contact Us" program to answer your questions



MI - Industrial Pipe Support Technical Guide

A guide to specifying the Hilti modular pipe support system for medium to heavy loads without welding.

- MI System is the ideal solution for pipes up to 24 in. diameter
- Reliable fastenings without welds
- Easily installed



Steel Decking Technical Guide

For complete information on Hilti fastening systems for the attachment of steel roof and floor deck, refer to the Hilti Steel Decking Technical Manual.

In The United States

PAYMENT TERMS:	Net 30 days from date of invoice. Customer agrees to pay all costs incurred by Hilti in collecting delinquent amounts, if any, including reasonable attorney's fees.
FREIGHT:	All sales are F.O.B. Destination with transportation allowed via Hilti designated mode. Additional charges may apply for expedited shipments, special handling requirements, and orders below certain dollar amounts. A fuel surcharge may apply depending on market conditions.
CREDIT:	All orders sold on credit are subject to Credit Department approval
RETURN POLICY:	Products must be in saleable condition to qualify for return. Saleable condition is defined as those unused items in original packaging and in unbroken quantities. All returns are subject to Hilti inspection and acceptance, and a 15% restocking charge. Proof of purchase is required for all returned materials. Special orders and discontinued items are not eligible for return credit. Dated materials are not returnable 30 days beyond date of invoice.
WARRANTY:	<p>Hilti warrants that for a period of 12 months from the date it sells a product it will, at its sole option and discretion, refund the purchase price of , repair, or replace such product if it contains a defect in material or workmanship. Absence of Hilti's receipt of a written notification of such a defect within this 12-month period shall constitute a waiver of all claims with regard to such product. The warranty time periods for certain products are limited by the warranty period in the literature that accompanies these products.</p> <p>THE FOREGOING WARRANTY IS IN LIEU OF ALL OTHER WARRANTIES, EXPRESS OR IMPLIED, INCLUDING BUT NOT LIMITED TO THE IMPLIED WARRANTIES OR MERCHANTABILITY AND FITNESS FOR A PARTICULAR PURPOSE. Hilti shall in no event be liable for, and Customer hereby agrees to indemnify Hilti against all claims related to, special, direct, indirect, consequential, or any damages arising out of or related to the sale, use, or inability to use the product.</p>
ACCEPTANCE OF ORDER:	Acceptance is limited to the express terms contained herein, and terms are subject to change by Hilti with reasonable notice to Customer. Additional or different terms proposed by Customer are deemed material and are objected to and rejected, but such rejections shall not operate as a rejection of the offer unless it contains variances in the terms of the description, quantity, price or delivery schedule of the goods.
DOMESTIC ORIGIN:	Any non-domestic Hilti product will be so identified on shipping documents and invoices for federal government customers. All other customers may obtain such information by written request for Hilti, Inc., Contract Compliance, P.O. Box 21148, Tulsa, Oklahoma 74121. Hilti sales personnel are not authorized to warrant the country of origin of Hilti products.
BUSINESS SIZE:	Hilti is a large business.
PRICES:	Prices are those stated on the order. Hilti does not maintain most favored customer records, makes no representation with respect to same, and rejects any price warranty terms proposed by Customer. Hilti's published net price list is subject to change without notice.
CONSENT TO JURISDICTION:	All transactions made pursuant hereto shall be deemed to have been made and entered into in Tulsa, Oklahoma. Any and all disputes arising directly or indirectly from such transactions shall be resolved in the courts of the County of Tulsa, State of Oklahoma, to the exclusion of any other court, and any resulting judgment may be enforced by any court having jurisdiction of such an action. All transactions shall be governed by and construed in accordance with the laws of the State of Oklahoma.
INDEMNIFICATION:	Customer hereby agrees to indemnify Hilti for any costs, including attorney's fees, incurred by Hilti as a result, in whole or in part, of any violation by Customer of any Federal, State or Local statute or regulation, or of any nationally accepted standard. It shall be Customer's sole responsibility to comply with all applicable laws and regulations regarding the handling, use, transportation, or disposal of products upon taking possession of same.
AUTHORIZATION:	HILTI SALES REPRESENTATIVES ARE NOT AUTHORIZED TO MODIFY THESE TERMS AND CONDITIONS, WARRANT SPECIFIC APPLICATIONS, OR EXECUTE CUSTOMER DOCUMENTS.

In Canada

PAYMENT TERMS:	Net 30 days from date of invoice. Customer agrees to pay all costs incurred by Hilti in collecting delinquent amounts, if any, including reasonable attorney's fees.
FREIGHT:	Sales are F.O.B. Destination Point with transportation allowed via Hilti designated mode. Additional charges may apply for expedited delivery, special handling requirements, and order under certain limits. A fuel surcharge may apply depending on market conditions.
CREDIT:	All orders sold on credit are subject to Credit Department approval.
RETURN POLICY:	Product may be returned prepaid (unless otherwise authorized) to Hilti provided: <ul style="list-style-type: none"> i) it is returned by the original purchaser ii) it is not dated product returned more than 30 days after the original delivery date iii) it is not discontinued, clearance or special order product iv) it is unused, in original packaging and in unbroken quantities. <p>Hilti will inspect product and, if the above requirements are satisfied, will credit to customer the original purchase price. A 15% restocking fee may apply.</p>
WARRANTY:	Other than the manufacturer's published warranty, no warranties or conditions, express or implied, written or oral, statutory or otherwise are implied. Any and all conditions and warranties implied by law or by the Sale of Goods Act or any similar statutes of any Province are hereby expressly waived.
TITLE TO PRODUCT:	Title to product remains with Hilti until the total purchase price of product is paid.
PRICES:	Customer agrees to pay Hilti prices set out on invoice. Customer agrees to pay taxes as indicated on invoice unless Hilti receives acceptable exemption certificates.
INDEMNIFICATION:	Customer agrees to use product at own risk and to indemnify Hilti against all liabilities, including legal fees, to third parties arising out of the use or possession thereof. Hilti shall in no event be liable for special, incidental or consequential damages.
CHANGES:	Hilti sales personnel are not authorized to modify these Terms and Conditions or modify Customer's credit terms. Terms are subject to change by Hilti with reasonable notice to Customer.
CASH SALES:	Payment in full is due prior to goods being released.
QUOTATIONS:	All terms and conditions apply once customer agrees to purchase product. Quotations on special promotion products are only valid until end of promotion period.