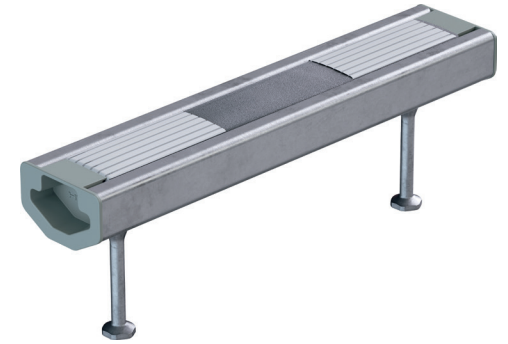




## HAC-V INVENTORY SELECTOR GUIDE



		HAC-V								
		HAC-V 35	HAC-V 40	HAC-V 50			HAC-V 60		HAC-V 70	
$h_{ef}$	mm	91	110	106	144	220	183	225	175	295
	in	3.58	4.33	4.17	5.67	8.66	7.20	8.86	6.89	11.61
Anchor Channel Length (mm)	150	C	C	D	D	D	C	D	D	D
	200	C	C	D	C	D	C	D	D	D
	250	A	A	C	A	C	C	D	D	D
	300	A	A	A	A	B	A	B	B	A
	350	C	C	C	C	C	C	C	C	C
	400	A	A	C	A	B	A	B	B	A
	450	C	C	C	C	C	C	C	C	C
	550	D	C	C	C	D	C	C	C	C
	610	D	C	C	C	C	C	C	C	C
	800	A	C	A	C	D	D	D	A	D

- A** Inventory levels sufficient for typical project demands
- B** Limited inventory levels sufficient for initial phases of a project
- C** Lead time of approximately 10-12 weeks
- D** Lead time of approximately 14-16 weeks
- E** Not offered

**Note:** Stock levels fluctuate depending on demand. Provided lead times and inventory levels are for guidance purposes only. Always check with a local Hilti team member to confirm stock levels.





## HAC-V INVENTORY SELECTOR GUIDE



		HAC-V-T						
		HAC-V-T 30		HAC-V-T 50			HAC-V-T 70	
$h_{ef}$	mm	68	94	106	144	220	175	295
	in	2.68	3.70	4.17	5.67	8.66	6.89	11.61
Anchor Channel Length (mm)	150	D	D	D	D	D	D	D
	200	C	D	D	D	D	D	D
	250	A	D	D	D	D	D	D
	300	A	A	C	A	B	A	A
	350	D	C	C	C	C	C	C
	400	D	A	C	A	B	A	A
	450	D	C	C	C	C	C	C
	550	C	C	C	D	C	C	C
	610	D	C	C	C	C	C	C
	800	C	C	A	C	D	A	C

- A** Inventory levels sufficient for typical project demands
- B** Limited inventory levels sufficient for initial phases of a project
- C** Lead time of approximately 10-12 weeks
- D** Lead time of approximately 14-16 weeks
- E** Not offered

**Note:** Stock levels fluctuate depending on demand. Provided lead times and inventory levels are for guidance purposes only. Always check with a local Hilti team member to confirm stock levels.





## HAC-V INVENTORY SELECTOR GUIDE



		HAC-V Rebar XTS		HAC-V Rebar XT	
		HAC-V 50	HAC-V 70	HAC-V 50	HAC-V 70
h <sub>nom</sub>	mm	589	820	589	820
	in	23.19	32.28	23.19	32.28
Anchor Channel Length (mm)	150	D	D	D	D
	200	C	C	D	D
	250	D	D	D	D
	300	A	A	A	A
	350	C	C	C	C
	400	A	A	A	A
	450	A	A	C	C
	550	C	C	C	C
	610	C	C	C	A
	800	D	D	D	D

- A** Inventory levels sufficient for typical project demands
- B** Limited inventory levels sufficient for initial phases of a project
- C** Lead time of approximately 10-12 weeks
- D** Lead time of approximately 14-16 weeks
- E** Not offered

**Note:** Stock levels fluctuate depending on demand. Provided lead times and inventory levels are for guidance purposes only. Always check with a local Hilti team member to confirm stock levels.





## HAC-V INVENTORY SELECTOR GUIDE



		HAC-V-T Rebar XTS		HAC-V-T Rebar XT	
		HAC-V-T 50	HAC-V-T 70	HAC-V-T 50	HAC-V-T 70
h <sub>nom</sub>	mm	589	820	589	820
	in	23.19	32.28	23.19	32.28
Anchor Channel Length (mm)	150	D	D	D	D
	200	C	C	D	D
	250	D	D	D	D
	300	A	A	A	A
	350	C	C	C	C
	400	A	A	A	A
	450	A	A	C	C
	550	C	C	C	C
	610	C	C	C	A
	800	D	D	D	D

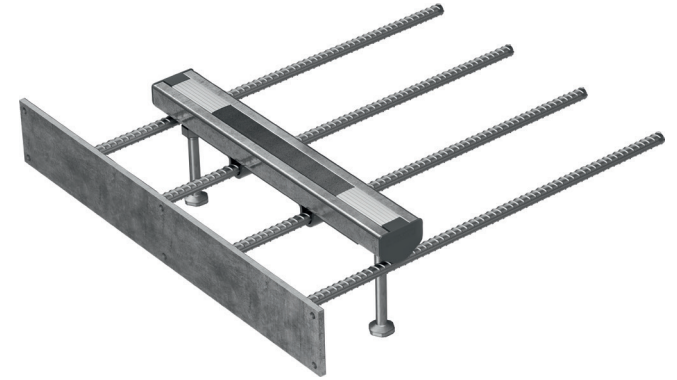
- A** Inventory levels sufficient for typical project demands
- B** Limited inventory levels sufficient for initial phases of a project
- C** Lead time of approximately 10-12 weeks
- D** Lead time of approximately 14-16 weeks
- E** Not offered

**Note:** Stock levels fluctuate depending on demand. Provided lead times and inventory levels are for guidance purposes only. Always check with a local Hilti team member to confirm stock levels.





## HAC-V INVENTORY SELECTOR GUIDE



		HAC-V EDGE Lite					HAC-V EDGE				HAC-V EDGE C			
		HAC-V 35	HAC-V 50				HAC-V 50				HAC-V 50			
$h_{ef}$	mm	91	71	94	144	220	71	94	144	220	71	94	144	220
	in	3.58	2.80	3.70	5.67	8.66	2.80	3.70	5.67	8.66	2.80	3.70	5.67	8.66
Anchor Channel Length (mm)	150	E	E	E	E	E	E	E	E	E	E	E	E	E
	200	E	E	E	E	E	E	E	E	E	E	E	E	E
	250	E	E	E	E	E	E	E	E	E	E	E	E	E
	300	<b>A</b>	<b>B</b>	<b>A</b>	<b>B</b>	D	<b>B</b>	<b>A</b>	<b>A</b>	D	B	<b>A</b>	<b>A</b>	D
	350	E	E	E	E	E	D	D	D	D	D	D	D	D
	400	E	E	E	E	E	<b>B</b>	<b>A</b>	<b>B</b>	D	B	<b>A</b>	<b>B</b>	D
	450	E	E	E	E	E	D	D	D	D	D	D	D	D
	550	E	E	E	E	E	E	E	E	E	E	E	E	E
	610	E	E	E	E	E	D	<b>B</b>	<b>B</b>	D	D	<b>B</b>	<b>B</b>	D
	800	E	E	E	E	E	E	E	E	E	E	E	E	E

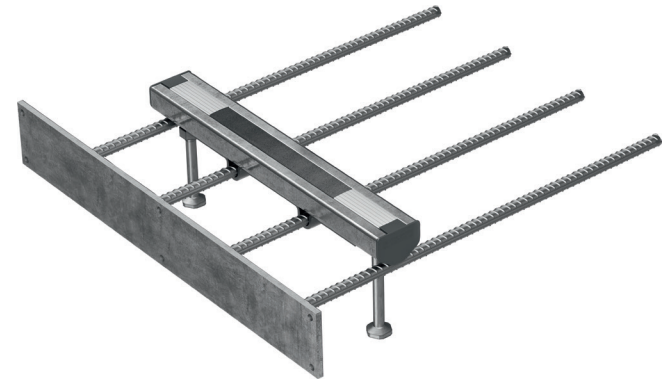
- A** Inventory levels sufficient for typical project demands
- B** Limited inventory levels sufficient for initial phases of a project
- C** Lead time of approximately 10-12 weeks
- D** Lead time of approximately 14-16 weeks
- E** Not offered

**Note:** Stock levels fluctuate depending on demand. Provided lead times and inventory levels are for guidance purposes only. Always check with a local Hilti team member to confirm stock levels.





## HAC-V INVENTORY SELECTOR GUIDE



		HAC-V-T EDGE Lite				HAC-V-T EDGE				HAC-V-T EDGE C			
		HAC-V-T 50				HAC-V-T 50				HAC-V-T 50			
$h_{ef}$	mm	71	94	144	220	71	94	144	220	71	94	144	220
	in	2.80	3.70	5.67	8.66	2.80	3.70	5.67	8.66	2.80	3.70	5.67	8.66
Anchor Channel Length (mm)	150	E	E	E	E	E	E	E	E	E	E	E	E
	200	E	E	E	E	E	E	E	E	E	E	E	E
	250	E	E	E	E	E	E	E	E	E	E	E	E
	300	<b>B</b>	<b>A</b>	<b>A</b>	D	<b>B</b>	<b>A</b>	<b>A</b>	D	<b>B</b>	<b>A</b>	<b>A</b>	D
	350	E	E	E	E	D	D	D	D	D	D	D	D
	400	E	E	E	E	D	<b>A</b>	<b>B</b>	D	D	<b>A</b>	<b>B</b>	D
	450	E	E	E	E	D	D	D	D	D	D	D	D
	550	E	E	E	E	E	E	E	E	E	E	E	E
	610	E	E	E	E	D	<b>B</b>	<b>B</b>	D	D	<b>B</b>	<b>B</b>	D
	800	E	E	E	E	E	E	E	E	E	E	E	E

- A** Inventory levels sufficient for typical project demands
- B** Limited inventory levels sufficient for initial phases of a project
- C** Lead time of approximately 10-12 weeks
- D** Lead time of approximately 14-16 weeks
- E** Not offered

**Note:** Stock levels fluctuate depending on demand. Provided lead times and inventory levels are for guidance purposes only. Always check with a local Hilti team member to confirm stock levels.

