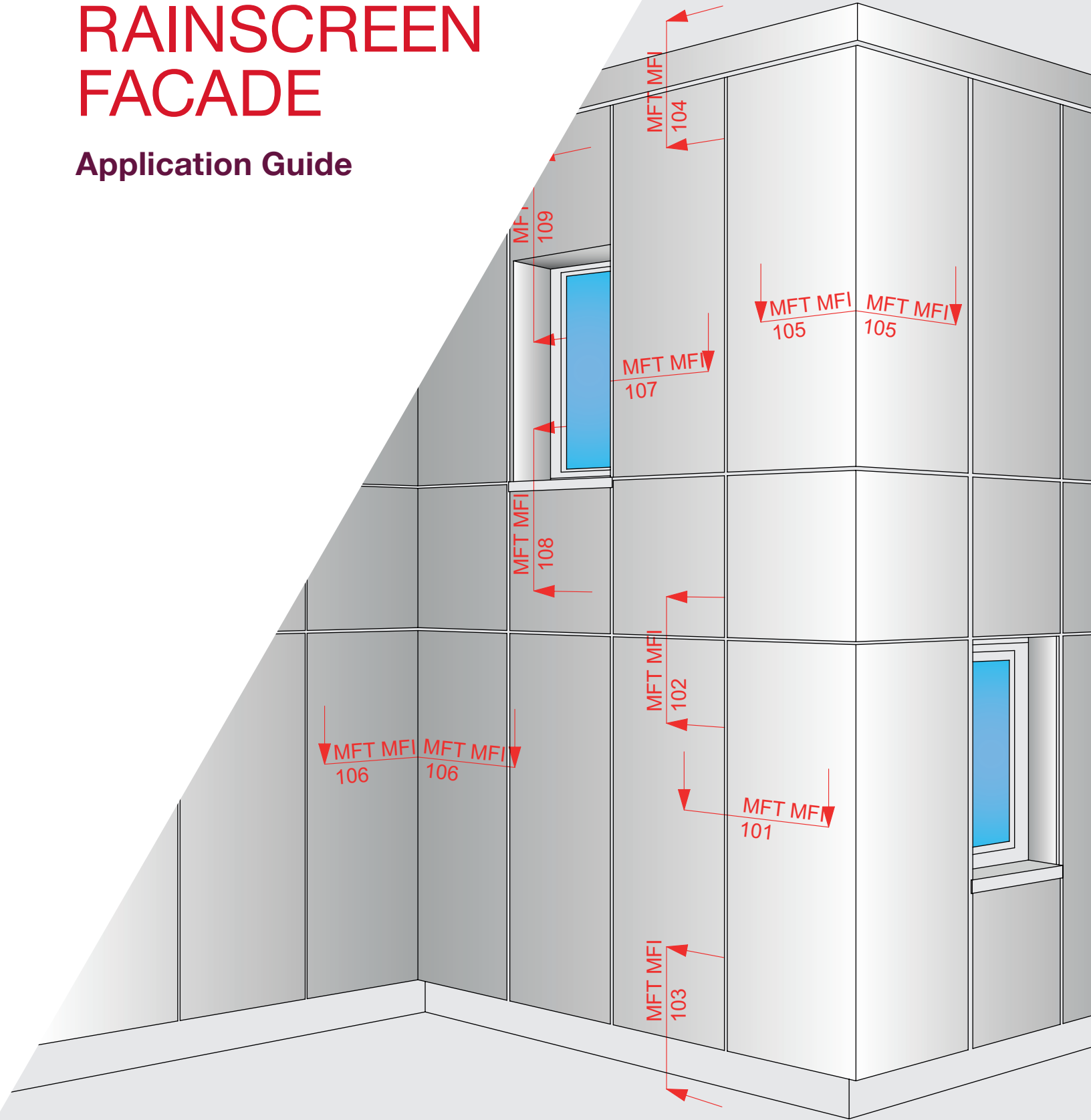




# RAINSCREEN FACADE

## Application Guide



## CONTENT OVERVIEW

OVERVIEW	4
GENERAL INFORMATION	5
BASE MATERIALS	6
BRACKET FASTENERS	7
INSULATION	8
INSULATION FASTENERS	9
BRACKETS / RAILS	10
RAIL FASTENERS	11
CLADDING MATERIALS	14
CLADDING FASTENERS	16
SCREW LOAD TABLES	17
R-VALUE TABLES	18
FIBER CEMENT	123
HIGH-PRESSURE LAMINATE (HPL)	129
METAL CLADDING MATERIAL	135
RENDER	141
CERAMIC	145
TERRACOTA	151
STONE	154
COMPOSITE	158



<b>OVERVIEW</b>	<b>4</b>
Rainscreens / Ventilated Facades	4
<b>GENERAL INFORMATION</b>	<b>5</b>
<b>Hilti Rainscreen Facade Solution Overview</b>	<b>5</b>
Engineered Solution	5
NFPA 285	5
ASHRAE 910.1 - Continuous Insulation (CI)	5
LEED	5
ICC-ESR Documentation	5
Corrosion	5
<b>BASE MATERIALS</b>	<b>6</b>
<b>BRACKET FASTENERS</b>	<b>7</b>
<b>INSULATION</b>	<b>8</b>
<b>INSULATION FASTENERS</b>	<b>9</b>
<b>BRACKETS / RAILS</b>	<b>10</b>
Metal Substructures	10
<b>RAIL FASTENERS</b>	<b>11</b>
Vertical Rail Systems	11
Horizontal Rail Systems	13
<b>CLADDING MATERIALS</b>	<b>14</b>
<b>CLADDING FASTENERS</b>	<b>16</b>
<b>SCREW LOAD TABLES</b>	<b>17</b>
<b>R-VALUE TABLES</b>	<b>18</b>
Fox HT	18
Fox HI	39
Fox VI	60
Fox VT	81
Fox VTR	102

<b>FIBER-CEMENT</b>	<b>123</b>
Panel Fastening	124
Visible Rivets	125
Visible Screws	126
Concealed Adhesive Bonding	127
Concealed Undercut Anchors	128
<b>HIGH-PRESSURE LAMINATE (HPL)</b>	<b>129</b>
Panel Fastening	130
Visible Rivets	131
Visible Screws	132
Concealed Adhesive Bonding	133
Concealed Undercut Anchors	134
<b>METAL CLADDING MATERIAL</b>	<b>135</b>
Panel Fastening	136
Visible Rivets	137
Visible Screws	138
Concealed Bolt System	139
Concealed SZ20 System	140
<b>RENDER</b>	<b>141</b>
Panel Fastening	142
Concealed Rivets	143
Concealed Screws	144
<b>CERAMIC</b>	<b>145</b>
Panel Fastening	146
Visible Clamps	147
Concealed Adhesive Bonding	148
Concealed Undercut Anchors	149
Concealed Clamps	150
<b>TERRACOTTA</b>	<b>151</b>
Panel Fastening	152
Concealed Clamps	153
<b>STONE</b>	<b>154</b>
Panel Fastening	155
Concealed Undercut Anchors	156
Concealed Clamps	157
<b>COMPOSITE</b>	<b>158</b>
Panel Fastening	159
Visible Rivets	160
Visible Screws	161
Concealed Bolt System	162
Concealed SZ20 System	163

## OVERVIEW

### Rainscreens/Ventilated Facades

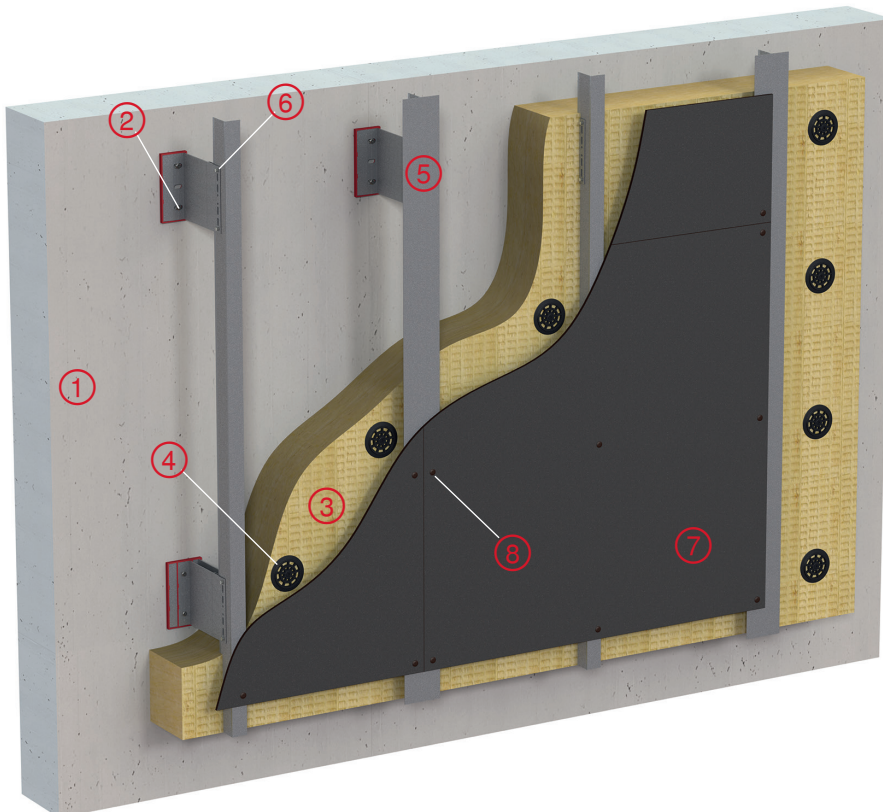
New energy codes have changed the way designers need to consider a facade. To meet minimum requirements, a designer will often need a more thermally efficient design. Energy savings, labor costs, and aesthetics are important factors for overall project success. Utilizing a rainscreen facade allows for these factors, while also improving protection from the elements, durability, flexibility, sound reduction, and repairs.

#### The main advantages of rainscreen facade

- Keeps rain away from the building and sun is only on the panels
- Due to improved ventilation, external insulation dries more quickly
- Specified R values can be achieved through a variety of insulation options and higher system thermal efficiency
- Adjustable substructures for use on uneven supporting surfaces
- Ventilation cavity dissipates exterior heat in the summer, and reduces interior heat transference in the winter
- Sustainable method of construction thanks to longer life, lower maintenance and separate layers (easier demolition and recycling)
- Soundproofing: the use of varied materials allows for an increased noise reduction factor. Using a common insulation like mineral wool allows for even greater reduction.

A rainscreen facade is an outside wall cladding application in which the ventilation zone behind the cladding material is in contact with the atmosphere. Through insulation and the effects of an air cavity, thermal performance is improved. These facades are also known as Drained and Back Ventilated (DBV) Facades, Clip Systems, or Ventilated Facades.

#### Schematic structure of a ventilated facade



- ① Base material
- ② Bracket fastener
- ③ Insulation
- ④ Insulation fastener
- ⑤ Bracket/profile
- ⑥ Profile fastener
- ⑦ Cladding material
- ⑧ Cladding fastener

## GENERAL INFORMATION

### HILTI RAINSCREEN FACADE SOLUTION OVERVIEW

#### ENGINEERED SOLUTION

Hilti provides engineering service for Rainscreen Facades based on local project requirements. Budgetary quotes are available based on a representative area. Full rainscreen design and installation drawings can be created on request

#### NFPA 285

NFPA 285. Standard Fire Test Method for Evaluation of Fire Propagation Characteristics of Exterior Wall Assemblies Containing Combustible Components, provides a test method for determining the fire propagation characteristics of exterior wall assemblies and panels used as components of curtain wall assemblies that are constructed using combustible materials or that incorporate combustible components. The Hilti Rainscreen portfolio has been tested in accordance with the Evaluation Test Protocol.

The brackets below were tested to provide data to explain their use as an alternate to existing NFPA 285 tested brackets:

- Regular aluminum L-brackets made of aluminum 6063 T66 with polypropylene thermo pad
- Slab-to-slab aluminum brackets made of aluminum 6063 T66 with polypropylene thermo pad
- Thermal-bridge-free bracket (Fox-T) made of aluminum 6063 T66 and glassfiber reinforced polyamide
- Stainless steel L-brackets (VTR) made of 316 Stainless Steel

#### ASHRAE 90.1 - CONTINUOUS INSULATION (CI)

American Society of Heating, Refrigerating and Air-Conditioning Engineers standard defines continuous insulation (CI) as “insulation that is continuous across all structural members without thermal bridges other than fasteners and service openings. It is installed on the interior or exterior or is integral to any opaque surface of the building envelope.”

The Hilti bracket portfolio includes brackets with pre-installed thermal isolators, or integral thermal breaks to meet C.I. requirements. In addition, energy codes have begun to require specific minimum R-Values. As the largest manufacturer of rainscreen systems globally, Hilti has modeled its entire portfolio for many common insulation thicknesses, types, and base wall build ups. Those values are integrated into our design software that is used to provide accurate and economical structural and thermal calculations.

#### LEED

LEED certification provides independent verification of a building or neighborhood’s green features, allowing for the design, construction, operations and maintenance of resource-efficient, high-performing, healthier, cost-effective buildings.

#### ICC-ESR DOCUMENTATION

Many of the fasteners used to anchor brackets to the base material have been tested to the relevant ICC-ES testing criteria.

Not all technical data contained in this document is based on a published approval. Hilti may publish additional data beyond that contained in a report, i.e. for applications outside the scope of an available test criteria. Acceptance of the product listings or approvals is subject to the authority having jurisdiction over the project.

#### CORROSION

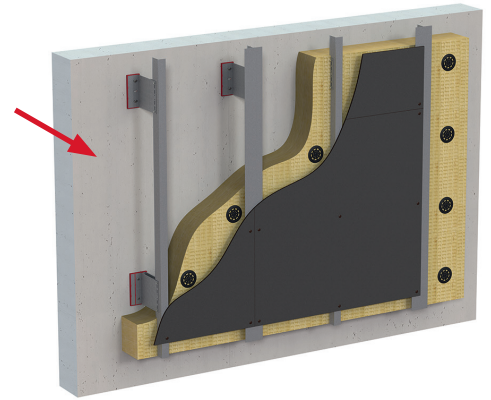
The requirements for corrosion protection vary greatly depending on the environment and water tightness of the chosen rainscreen system. Ventilated rainscreens often include gaps to create an intended airflow, which can introduce moisture. For this reason, stainless steel fasteners are commonly selected in Rainscreen design.

Due to the complex interaction of environment and construction type, the information provided here cannot cover all possible aspects. Every project should be reviewed by the engineer of record for sufficient corrosion protection.

## BASE MATERIALS

The following are common base materials:

- Concrete
- Grouted CMU
- Wood studs
- Metal studs
- Existing/unclassified masonry (load-bearing capacity must be verified by pull-out tests)
- Sandwich components (e.g. metal, concrete or lightweight concrete) may be considered suitable only after verification

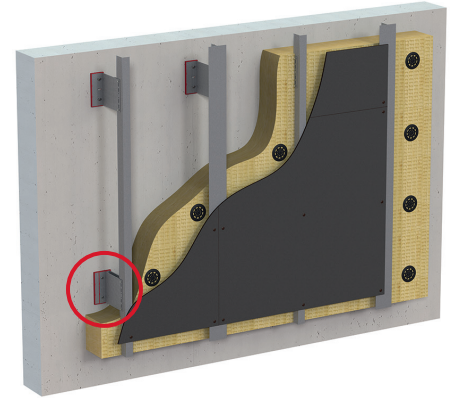


## BRACKET FASTENERS







Bracket fasteners are used to anchor substructures to load-bearing base materials. Where applicable, corrosion protection measures must also be implemented and the compatibility of materials taken into account. The use of 304 or 316 Stainless is recommended for exterior environments. Local project conditions must be considered when choosing steel grade.

**The most common bracket fastening methods are:**

- Anchor fastening on brick and concrete
- Screw fastening on wood or steel
- Direct fastening on concrete



### Anchoring on concrete, masonry, metal studs and wood

Description	Base Material					ICC-ES/ IAPMO UES
	Concrete	Brick / Hollow CMU	Grouted CMU	Metal Studs	Wood	
<b>KWIK Bolt TZ 2</b> (304/316) 	■		■			■
<b>KWIK HUS EZ</b> (304/316) 	■		■			■
<b>HRD-HR</b> (316) 	■	■	■			
<b>Metal Self Drilling Screw</b> (304/316) 				■		■
<b>Wood Self Drilling Screw</b> (304/316) 					■	
<b>Direct Fastening</b> (304/316) 	■					■

Please refer to Hilti North American Product Technical Guide Anchor Fastening Technical Guide for anchor loading information.  
Please refer to Hilti North American Direct Fastening Technical Guide for fasteners and screws loading information.

## INSULATION

A layer of thermal insulation is put between the supporting surface and the ventilation cavity. Depending on the type of insulating material used, it may also fulfill fire protection and soundproofing requirements.

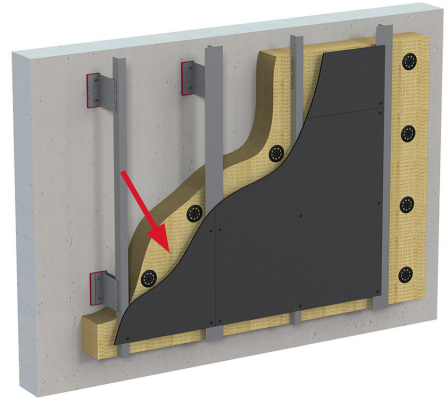
Thermal insulation for rainscreen/ventilated facades must consist of an insulating material of a type suitable for exterior wall insulation behind cladding.

### **The insulation must meet the following requirements:**

- Able to retain its shape
- Able to retain its dimensions
- Allow water and vapor to pass through freely
- Non-flammable (as necessary)

### **The following are examples of types of facade insulation that can be used:**

- Mineral wool
- Soft board (e.g. EPS)
- Hard board (e.g. XPS, PUR, PIR)

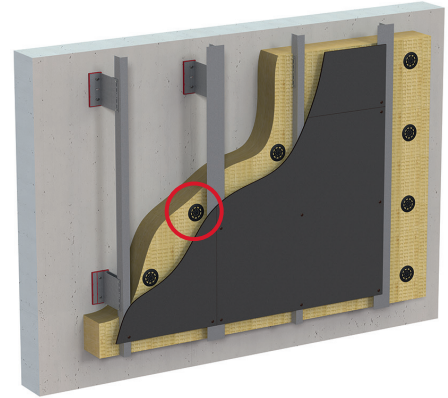




## INSULATION FASTENERS

The insulation sheets must be fitted without gaps and permanently secured. The wind loads to be expected must be taken into account during installation. Follow insulation material requirements for compression at fastening points.

Hilti offers a range of insulation fasteners for a variety of insulation types and installation methods.



<b>X-IE</b>	
Base material	Concrete
Insulation thickness	40 – 200 mm
Washer diameter	90 mm
Insulation material	Mineral wool, Soft board (e.g. EPS), Hard board (e.g. XPS, PUR, PIR)



<b>IE-GS</b>	
Base material	18-12 GA steel studs
Insulation thickness	1" - 4"
Washer diameter	60 mm
Insulation material	Mineral wool, Hard board (e.g. XPS, PUR, PIR)





## BRACKETS/RAILS

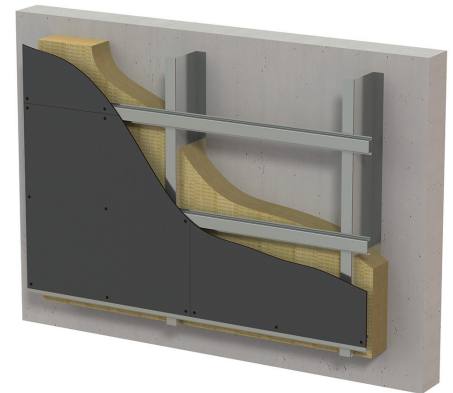
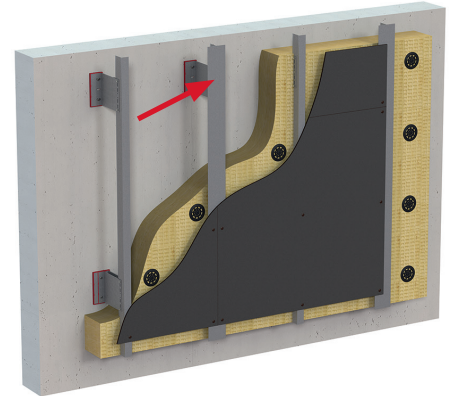
The ventilated facade substructure is the static connecting link between the load-bearing outer wall of the structure and the facade cladding. It consists of aluminum wall brackets and load bearing profiles.

The substructure must be designed and installed with all other structural aspects of the building taken into account.

### Metal substructures

**Metal substructures may be manufactured from the following:**

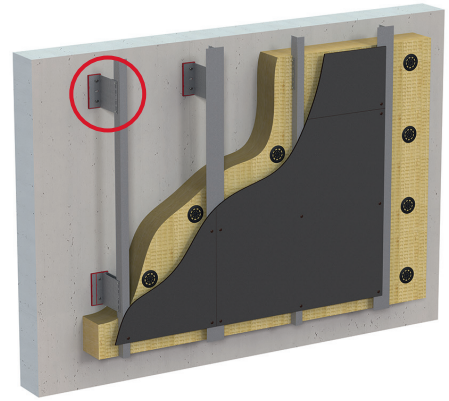
- Stainless or corrosion resistant coated steel
- Aluminum alloys
- Combinations of metal and fiber-reinforced plastics



## RAIL FASTENERS

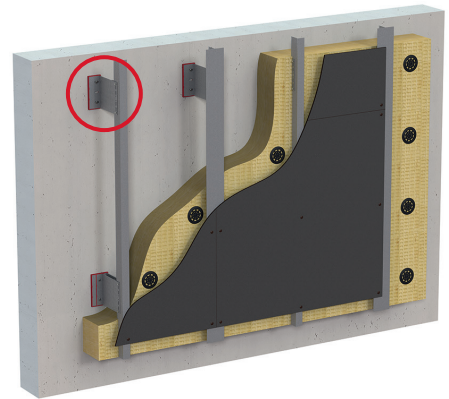
Rail fasteners are the components that connect the rails to the brackets or second layer of rails.

Fasteners should be chosen with both code and application requirements in mind. The fastener's ability to be used for either fixed or flexible points is an important factor for rainscreen design. In addition, corrosion protection measures must be implemented and attention must be paid to the compatibility of materials with each other. Self drilling screws, in either 304 or 316 stainless steel are common choices.



## VERTICAL RAIL SYSTEMS

- The connection between the rails and the bracket are made with self-drilling screws (stainless 304 or 316), using fixed or sliding points.
- The fixed point takes the weight of the cladding material and substructure and the proportional wind load.
- The sliding points allow temperature expansion of the rails and bear the proportional wind loads.
- Special screws (e.g. S-AD 12-14 x 3/4 HWH #3 (304/316) are needed for this application.



**Sliding point:**  
Screws positioned in the hole slot



- Sliding point (flexible point): The screws must be positioned in the slots.
- The sliding points allow expansion of the profiles (0.04" per linear foot for 315°F).

**Fixed point:**  
Screws positioned in the round holes

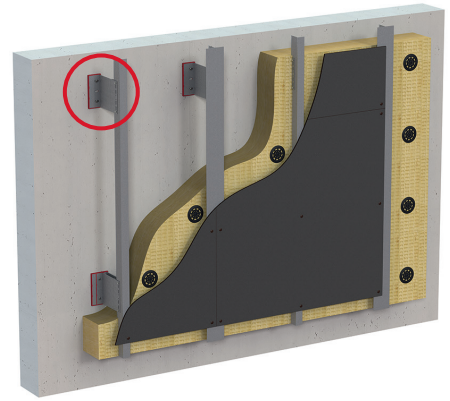


- Fixed point: The screws must be positioned in the round holes to avoid vertical movement. This allows the bracket to carry the dead load of the panel/cladding material and the horizontal wind loads.

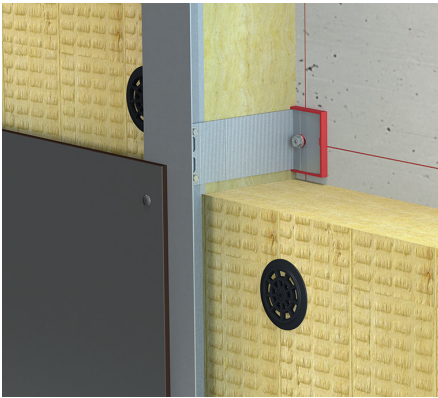
# VERTICAL RAIL SYSTEMS

Hilti offers two vertical systems:

- 1-Rail system
- 2-Rail system

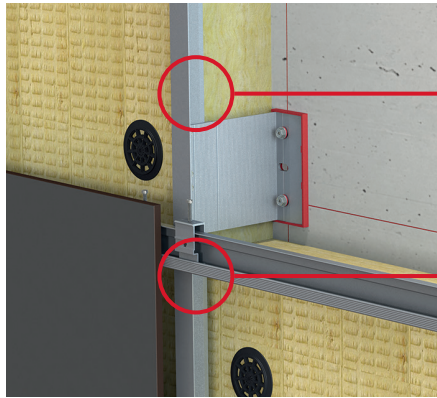


1-Rail system



- Vertical bracket in line with the vertical rail.

2-Rail system



Vertical

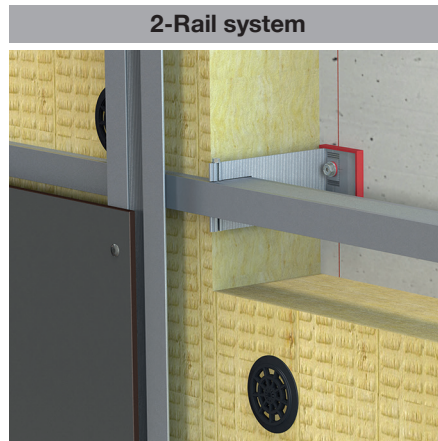
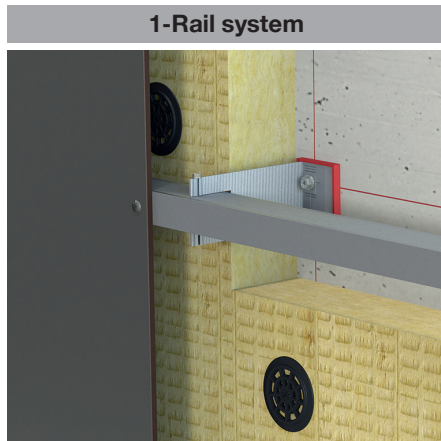
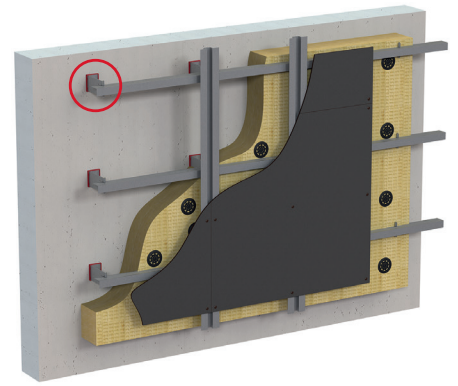
Horizontal

- Vertical bracket in line with the vertical rail for the 1<sup>st</sup> layer and the 2<sup>nd</sup> layer in horizontal alignment (2<sup>nd</sup> layer rails with slotted holes for expansion compensation.)

# HORIZONTAL RAIL SYSTEMS

Hilti offers two horizontal systems:

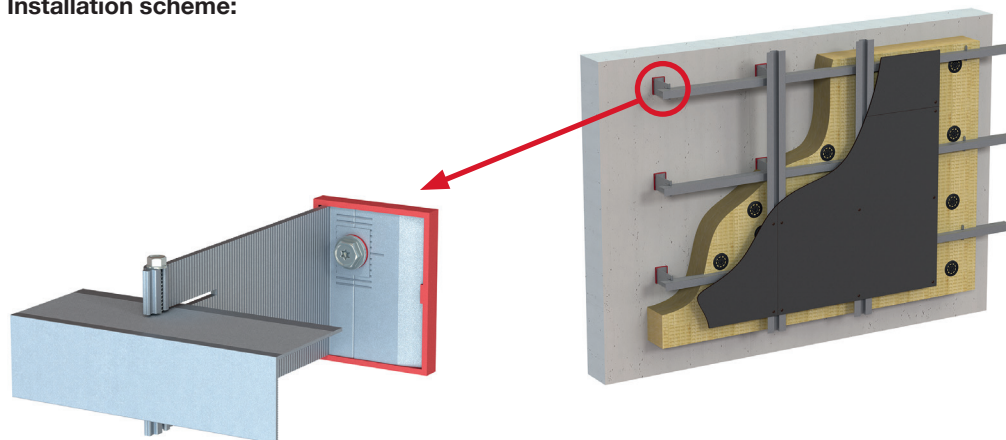
- 1-Rail system
- 2-Rail system



- Horizontal bracket equipped with a pre-installed screw
- Horizontal rail fastened with the pre-installed screw
- Double-layer installation.
- Second-layer profile with fixed and sliding points (slotted holes in the rail) to allow the rail to expand against the first layer

The connection between the rail and the bracket is made with pre-installed self-drilling screws (stainless 304 or 316) on the bracket, which absorbs the thermal expansion of the profiles.

**Installation scheme:**

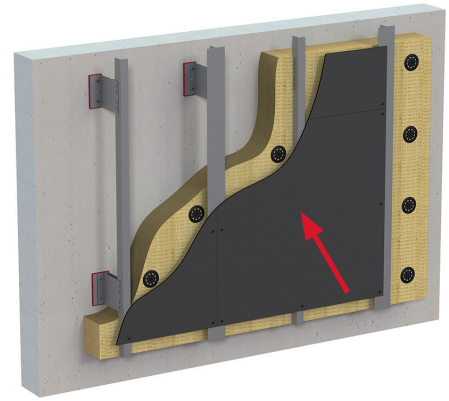


## CLADDING MATERIALS

When planning the cladding, the requirements in terms of protection from the elements, thermal performance, fire protection and durability.

When deciding on cladding material, designers have the option of many materials including metal, ceramic, terracotta, render, stone, and composites. The choice of cladding will affect longevity, thermal performance, fire protection, and the weight of the facade system.

Hilti's rainscreen portfolio includes a wide range of hanger accessories to allow the use of most common panel materials. Please contact Hilti with any questions about the feasibility of attaching to a specific panel type.



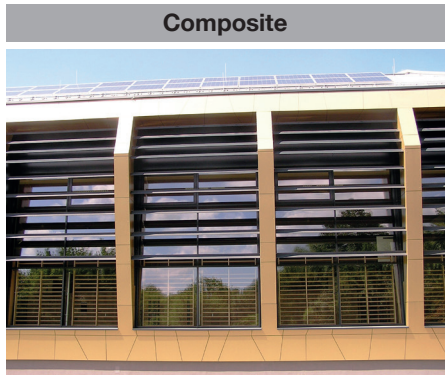
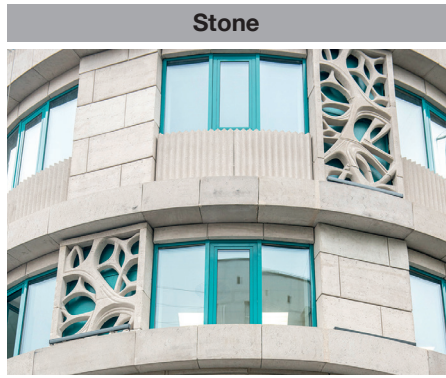
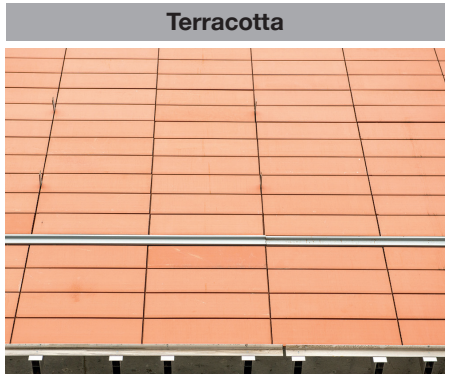
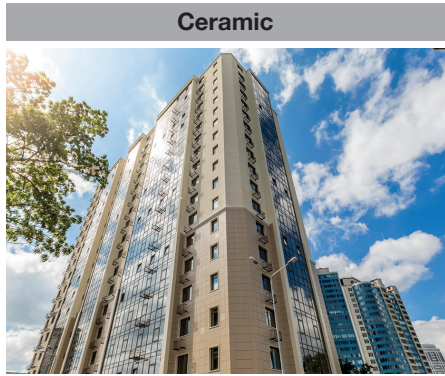
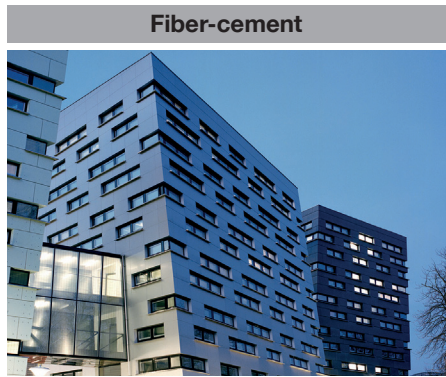
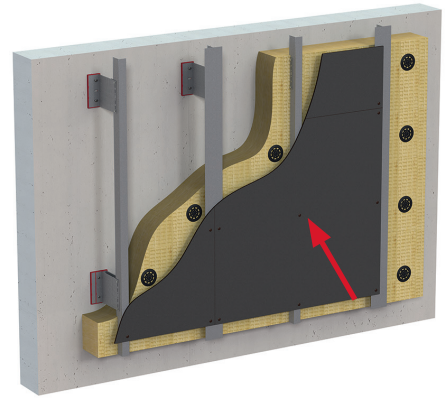


# CLADDING MATERIALS

There are many different cladding materials available.

The most common ones are:

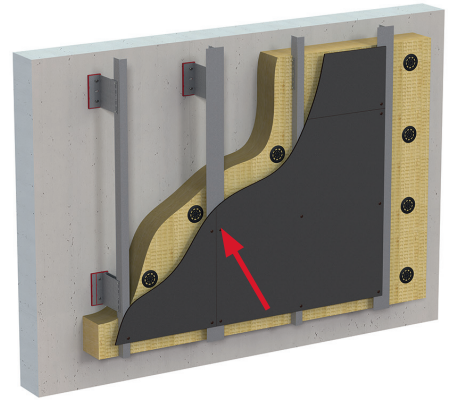
- Fiber-cement
- HPL (high-pressure laminate)
- ACM (Aluminum composite material)
- Render
- Ceramic
- Terracotta
- Stone
- Composite



# CLADDING FASTENERS

The following types of fasteners may be used to fasten cladding to the substructure:

- Rivets
- Screws
- Undercut anchors
- Adhesive bonding



	Rivets	Screws	Clamps				
Visible							
Invisible							

## SCREW LOAD TABLES


**Table 1 - Hilti self-drilling stainless steel screw pull-out strength<sup>1</sup> (lbf) for 45 KSI substrate steel**

Description	Nominal Diameter (in)	Minimum Thickness of Supporting Steel Member (mil)					
		43 mil	54 mil	68 mil	97 mil	118 mil	0.25 inch
Allowable Strength (ASD)							
S-MD 12-14 x 2 HWH #3 SS304	0.216"	110	140	190	325	385	460 <sup>2</sup>
S-MD 12-14 x 2-1/2 HWH #3 SS304	0.216"						
S-MD 12-14 x 4 HWH #5 SS304	0.216"						
Design Strength (LRFD)							
S-MD 12-14 x 2 HWH #3 SS304	0.216"	175	225	305	520	615	740 <sup>2</sup>
S-MD 12-14 x 2-1/2 HWH #3 SS304	0.216"						
S-MD 12-14 x 4 HWH #5 SS304	0.216"						

1. The safety factor,  $\Omega$ , and resistance factor,  $\phi$ , used to determine the ASD and LRFD strengths are based on test results, in accordance with AISI S100.

2. Pull-out strength only applicable to S-MD 12-14 x 4 HWH #5 SS304. All other screws not suitable for .25 mil.

**Table 2 - Hilti self-drilling stainless steel screw pull-out strength<sup>1</sup> (lbf) for 65 KSI substrate steel**

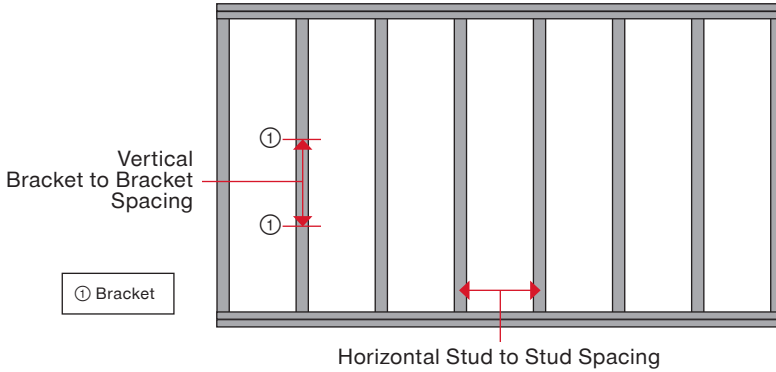
Description	Nominal Diameter (in)	Minimum Thickness of Supporting Steel Member (mil)					
		43 mil	54 mil	68 mil	97 mil	118 mil	0.25 inch
Allowable Strength (ASD)							
S-MD 12-14 x 2 HWH #3 SS304	0.216"	135	150	210	330	390	670 <sup>2</sup>
S-MD 12-14 x 2-1/2 HWH #3 SS304	0.216"						
S-MD 12-14 x 4 HWH #5 SS304	0.216"						
Design Strength (LRFD)							
S-MD 12-14 x 2 HWH #3 SS304	0.216"	215	240	335	530	625	1070 <sup>2</sup>
S-MD 12-14 x 2-1/2 HWH #3 SS304	0.216"						
S-MD 12-14 x 4 HWH #5 SS304	0.216"						

1. The safety factor,  $\Omega$ , and resistance factor,  $\phi$ , used to determine the ASD and LRFD strengths are based on test results, in accordance with AISI S100.

2. Pull-out strength only applicable to S-MD 12-14 x 4 HWH #5 SS304. All other screws not suitable for .25 mil.



# R-VALUE REFERENCE DIAGRAM



## R-VALUE TABLES

### Fox HT CMU 12" (305mm) Hollow Bricks

**Brackets:** Horizontal thermally broken brackets (medium size)

**Base Material:** CMU 12" (305mm) hollow bricks

Horizontal Stud to Stud Spacing	Exterior Insulation Thickness* in. (cm)	Vertical Bracket to Bracket Spacing									
		24" Vertical (609.6mm)		30" Vertical (762mm)		36" Vertical (914.4mm)		42" Vertical (1066.8mm)		48" Vertical (1219.2mm)	
		Effective U-Value BTU/h·ft <sup>2</sup> ·°F (W/m <sup>2</sup> K)	Effective R-Value h·ft <sup>2</sup> ·°F/ BTU (m <sup>2</sup> K/W)	Effective U-Value BTU/h·ft <sup>2</sup> ·°F (W/m <sup>2</sup> K)	Effective R-Value h·ft <sup>2</sup> ·°F/ BTU (m <sup>2</sup> K/W)	Effective U-Value BTU/h·ft <sup>2</sup> ·°F (W/m <sup>2</sup> K)	Effective R-Value h·ft <sup>2</sup> ·°F/ BTU (m <sup>2</sup> K/W)	Effective U-Value BTU/h·ft <sup>2</sup> ·°F (W/m <sup>2</sup> K)	Effective R-Value h·ft <sup>2</sup> ·°F/ BTU (m <sup>2</sup> K/W)	Effective U-Value BTU/h·ft <sup>2</sup> ·°F (W/m <sup>2</sup> K)	Effective R-Value h·ft <sup>2</sup> ·°F/ BTU (m <sup>2</sup> K/W)
16" (406.4mm)		0.38 pcs/ft <sup>2</sup> (bracket) 4.04 pcs/m <sup>2</sup> (bracket)		0.3 pcs/ft <sup>2</sup> (bracket) 3.28 pcs/m <sup>2</sup> (bracket)		0.26 pcs/ft <sup>2</sup> (bracket) 2.78 pcs/m <sup>2</sup> (bracket)		0.23 pcs/ft <sup>2</sup> (bracket) 2.52 pcs/m <sup>2</sup> (bracket)		0.21 pcs/ft <sup>2</sup> (bracket) 2.28 pcs/m <sup>2</sup> (bracket)	
		0.75 ft/ft <sup>2</sup> (rails) 2.46 m/m <sup>2</sup> (rails)									
	4 (10.2)	0.034 (0.196)	29.002 (5.106)	0.034 (0.194)	29.239 (5.148)	0.034 (0.193)	29.398 (5.176)	0.034 (0.193)	29.482 (5.191)	0.034 (0.192)	29.559 (5.204)
	5 (12.7)	0.03 (0.168)	33.884 (5.966)	0.029 (0.167)	34.069 (5.998)	0.029 (0.166)	34.192 (6.02)	0.029 (0.166)	34.257 (6.031)	0.029 (0.166)	34.316 (6.042)
	6 (15.2)	0.026 (0.15)	37.963 (6.684)	0.026 (0.149)	38.234 (6.731)	0.026 (0.148)	38.416 (6.763)	0.026 (0.147)	38.511 (6.78)	0.026 (0.147)	38.598 (6.795)
24" (609.6mm)		0.25 pcs/ft <sup>2</sup> (bracket) 2.69 pcs/m <sup>2</sup> (bracket)		0.2 pcs/ft <sup>2</sup> (bracket) 2.19 pcs/m <sup>2</sup> (bracket)		0.17 pcs/ft <sup>2</sup> (bracket) 1.85 pcs/m <sup>2</sup> (bracket)		0.16 pcs/ft <sup>2</sup> (bracket) 1.68 pcs/m <sup>2</sup> (bracket)		0.14 pcs/ft <sup>2</sup> (bracket) 1.52 pcs/m <sup>2</sup> (bracket)	
		0.5 ft/ft <sup>2</sup> (rails) 1.64 m/m <sup>2</sup> (rails)									
	4 (10.2)	0.034 (0.191)	29.793 (5.245)	0.033 (0.19)	29.96 (5.275)	0.033 (0.189)	30.071 (5.294)	0.033 (0.189)	30.13 (5.305)	0.033 (0.188)	30.183 (5.314)
	5 (12.7)	0.029 (0.165)	34.486 (6.072)	0.029 (0.164)	34.613 (6.094)	0.029 (0.164)	34.698 (6.109)	0.029 (0.163)	34.743 (6.117)	0.029 (0.163)	34.783 (6.124)
	6 (15.2)	0.026 (0.147)	38.619 (6.799)	0.026 (0.146)	38.805 (6.832)	0.026 (0.146)	38.93 (6.854)	0.026 (0.146)	38.995 (6.865)	0.026 (0.145)	39.054 (6.876)
32" (812.8mm)		0.19 pcs/ft <sup>2</sup> (bracket) 2.02 pcs/m <sup>2</sup> (bracket)		0.15 pcs/ft <sup>2</sup> (bracket) 1.64 pcs/m <sup>2</sup> (bracket)		0.13 pcs/ft <sup>2</sup> (bracket) 1.39 pcs/m <sup>2</sup> (bracket)		0.12 pcs/ft <sup>2</sup> (bracket) 1.26 pcs/m <sup>2</sup> (bracket)		0.11 pcs/ft <sup>2</sup> (bracket) 1.14 pcs/m <sup>2</sup> (bracket)	
		0.38 ft/ft <sup>2</sup> (rails) 1.23 m/m <sup>2</sup> (rails)									
	4 (10.2)	0.033 (0.188)	30.206 (5.318)	0.033 (0.187)	30.334 (5.34)	0.033 (0.188)	30.42 (5.356)	0.033 (0.186)	30.464 (5.363)	0.033 (0.186)	30.505 (5.371)
	5 (12.7)	0.029 (0.163)	34.796 (6.126)	0.029 (0.163)	34.892 (6.143)	0.029 (0.163)	34.957 (6.154)	0.029 (0.162)	34.991 (6.16)	0.029 (0.162)	30.505 (5.371)
	6 (15.2)	0.026 (0.146)	38.955 (6.858)	0.026 (0.145)	39.097 (6.883)	0.026 (0.146)	39.192 (6.9)	0.025 (0.145)	39.242 (6.909)	0.025 (0.145)	39.287 (6.917)
40" (1016mm)		0.15 pcs/ft <sup>2</sup> (bracket) 1.61 pcs/m <sup>2</sup> (bracket)		0.12 pcs/ft <sup>2</sup> (bracket) 1.31 pcs/m <sup>2</sup> (bracket)		0.1 pcs/ft <sup>2</sup> (bracket) 1.11 pcs/m <sup>2</sup> (bracket)		0.09 pcs/ft <sup>2</sup> (bracket) 1.01 pcs/m <sup>2</sup> (bracket)		0.08 pcs/ft <sup>2</sup> (bracket) 0.91 pcs/m <sup>2</sup> (bracket)	
		0.3 ft/ft <sup>2</sup> (rails) 0.98 m/m <sup>2</sup> (rails)									
	4 (10.2)	0.033 (0.186)	30.459 (5.362)	0.033 (0.186)	30.563 (5.381)	0.033 (0.186)	30.632 (5.393)	0.033 (0.185)	30.669 (5.399)	0.033 (0.185)	30.702 (5.405)
	5 (12.7)	0.029 (0.162)	34.984 (6.159)	0.029 (0.162)	35.062 (6.173)	0.028 (0.162)	35.114 (6.182)	0.028 (0.162)	35.142 (6.187)	0.028 (0.162)	35.166 (6.191)
	6 (15.2)	0.026 (0.145)	39.16 (6.894)	0.025 (0.145)	39.275 (6.915)	0.025 (0.144)	39.351 (6.928)	0.025 (0.144)	39.391 (6.935)	0.025 (0.144)	39.427 (6.941)

\*Between insulation thicknesses the values can be interpolated

# R-VALUE TABLES

## Fox HT CMU 12" (305mm) Grouted Blocks

**Brackets:** Horizontal thermally broken brackets (medium size)

**Base Material:** CMU 12" (305mm) grouted blocks

Horizontal Stud to Stud Spacing	Exterior Insulation Thickness* in. (cm)	Vertical Bracket to Bracket Spacing									
		24" Vertical (609.6mm)		30" Vertical (762mm)		36" Vertical (914.4mm)		42" Vertical (1066.8mm)		48" Vertical (1219.2mm)	
		Effective U-Value BTU/h*ft <sup>2</sup> *°F (W/m <sup>2</sup> K)	Effective R-Value h*ft <sup>2</sup> *°F/ BTU (m <sup>2</sup> K/W)	Effective U-Value BTU/h*ft <sup>2</sup> *°F (W/m <sup>2</sup> K)	Effective R-Value h*ft <sup>2</sup> *°F/ BTU (m <sup>2</sup> K/W)	Effective U-Value BTU/h*ft <sup>2</sup> *°F (W/m <sup>2</sup> K)	Effective R-Value h*ft <sup>2</sup> *°F/ BTU (m <sup>2</sup> K/W)	Effective U-Value BTU/h*ft <sup>2</sup> *°F (W/m <sup>2</sup> K)	Effective R-Value h*ft <sup>2</sup> *°F/ BTU (m <sup>2</sup> K/W)	Effective U-Value BTU/h*ft <sup>2</sup> *°F (W/m <sup>2</sup> K)	Effective R-Value h*ft <sup>2</sup> *°F/ BTU (m <sup>2</sup> K/W)
16" (406.4mm)		0.38 pcs/ft <sup>2</sup> (bracket) 4.04 pcs/m <sup>2</sup> (bracket)		0.3 pcs/ft <sup>2</sup> (bracket) 3.28 pcs/m <sup>2</sup> (bracket)		0.26 pcs/ft <sup>2</sup> (bracket) 2.78 pcs/m <sup>2</sup> (bracket)		0.23 pcs/ft <sup>2</sup> (bracket) 2.52 pcs/m <sup>2</sup> (bracket)		0.21 pcs/ft <sup>2</sup> (bracket) 2.28 pcs/m <sup>2</sup> (bracket)	
		0.75 ft/ft <sup>2</sup> (rails) 2.46 m/m <sup>2</sup> (rails)									
	4 (10.2)	0.035 (0.197)	28.761 (5.064)	0.034 (0.196)	28.994 (5.105)	0.034 (0.195)	29.151 (5.132)	0.034 (0.194)	29.234 (5.147)	0.034 (0.194)	29.309 (5.16)
	5 (12.7)	0.03 (0.169)	33.629 (5.921)	0.03 (0.168)	33.811 (5.953)	0.029 (0.167)	33.932 (5.974)	0.029 (0.167)	33.996 (5.985)	0.029 (0.167)	34.054 (5.995)
	6 (15.2)	0.027 (0.151)	37.708 (6.639)	0.026 (0.15)	37.974 (6.686)	0.026 (0.149)	38.154 (6.717)	0.026 (0.149)	38.248 (6.734)	0.026 (0.148)	38.333 (6.749)
24" (609.6mm)		0.25 pcs/ft <sup>2</sup> (bracket) 2.69 pcs/m <sup>2</sup> (bracket)		0.2 pcs/ft <sup>2</sup> (bracket) 2.19 pcs/m <sup>2</sup> (bracket)		0.17 pcs/ft <sup>2</sup> (bracket) 1.85 pcs/m <sup>2</sup> (bracket)		0.16 pcs/ft <sup>2</sup> (bracket) 1.68 pcs/m <sup>2</sup> (bracket)		0.14 pcs/ft <sup>2</sup> (bracket) 1.52 pcs/m <sup>2</sup> (bracket)	
		0.5 ft/ft <sup>2</sup> (rails) 1.64 m/m <sup>2</sup> (rails)									
	4 (10.2)	0.034 (0.192)	29.54 (5.201)	0.034 (0.191)	29.703 (5.229)	0.034 (0.191)	29.813 (5.249)	0.033 (0.19)	29.87 (5.259)	0.033 (0.19)	29.922 (5.268)
	5 (12.7)	0.029 (0.166)	34.222 (6.025)	0.029 (0.165)	34.347 (6.047)	0.029 (0.165)	34.431 (6.062)	0.029 (0.165)	34.475 (6.07)	0.029 (0.165)	34.514 (6.076)
	6 (15.2)	0.026 (0.148)	38.354 (6.753)	0.026 (0.147)	38.538 (6.785)	0.026 (0.147)	38.661 (6.806)	0.026 (0.147)	38.725 (6.818)	0.026 (0.146)	38.784 (6.828)
32" (812.8mm)		0.19 pcs/ft <sup>2</sup> (bracket) 2.02 pcs/m <sup>2</sup> (bracket)		0.15 pcs/ft <sup>2</sup> (bracket) 1.64 pcs/m <sup>2</sup> (bracket)		0.13 pcs/ft <sup>2</sup> (bracket) 1.39 pcs/m <sup>2</sup> (bracket)		0.12 pcs/ft <sup>2</sup> (bracket) 1.26 pcs/m <sup>2</sup> (bracket)		0.11 pcs/ft <sup>2</sup> (bracket) 1.14 pcs/m <sup>2</sup> (bracket)	
		0.38 ft/ft <sup>2</sup> (rails) 1.23 m/m <sup>2</sup> (rails)									
	4 (10.2)	0.033 (0.19)	29.945 (5.272)	0.033 (0.189)	30.071 (5.294)	0.033 (0.188)	30.155 (5.309)	0.033 (0.188)	30.199 (5.317)	0.033 (0.188)	30.239 (5.324)
	5 (12.7)	0.029 (0.165)	34.527 (6.079)	0.029 (0.164)	34.622 (6.095)	0.029 (0.164)	34.686 (6.107)	0.029 (0.164)	34.719 (6.113)	0.029 (0.163)	34.749 (6.118)
	6 (15.2)	0.026 (0.147)	38.686 (6.811)	0.026 (0.146)	38.826 (6.836)	0.026 (0.146)	38.92 (6.852)	0.026 (0.146)	38.968 (6.861)	0.026 (0.146)	39.013 (6.868)
40" (1016mm)		0.15 pcs/ft <sup>2</sup> (bracket) 1.61 pcs/m <sup>2</sup> (bracket)		0.12 pcs/ft <sup>2</sup> (bracket) 1.31 pcs/m <sup>2</sup> (bracket)		0.1 pcs/ft <sup>2</sup> (bracket) 1.11 pcs/m <sup>2</sup> (bracket)		0.09 pcs/ft <sup>2</sup> (bracket) 1.01 pcs/m <sup>2</sup> (bracket)		0.08 pcs/ft <sup>2</sup> (bracket) 0.91 pcs/m <sup>2</sup> (bracket)	
		0.3 ft/ft <sup>2</sup> (rails) 0.98 m/m <sup>2</sup> (rails)									
	4 (10.2)	0.033 (0.188)	30.193 (5.316)	0.033 (0.187)	30.295 (5.334)	0.033 (0.187)	30.364 (5.346)	0.033 (0.187)	30.4 (5.352)	0.033 (0.187)	30.432 (5.358)
	5 (12.7)	0.029 (0.164)	34.712 (6.111)	0.029 (0.163)	34.789 (6.125)	0.029 (0.163)	34.84 (6.134)	0.029 (0.163)	34.867 (6.139)	0.029 (0.163)	34.892 (6.143)
	6 (15.2)	0.026 (0.146)	38.888 (6.846)	0.026 (0.146)	39.001 (6.866)	0.026 (0.145)	39.076 (6.88)	0.026 (0.145)	39.116 (6.887)	0.026 (0.145)	39.152 (6.893)

\*Between insulation thicknesses the values can be interpolated

# R-VALUE TABLES

## Fox HT CMU 12" (305mm) Grouted Polyurethane Foamed in Place

**Brackets:** Horizontal thermally broken brackets (medium size)

**Base Material:** CMU 12" (305mm) grouted polyurethane foamed in place

Horizontal Stud to Stud Spacing	Exterior Insulation Thickness* in. (cm)	Vertical Bracket to Bracket Spacing									
		24" Vertical (609.6mm)		30" Vertical (762mm)		36" Vertical (914.4mm)		42" Vertical (1066.8mm)		48" Vertical (1219.2mm)	
		Effective U-Value BTU/h*ft <sup>2</sup> *°F (W/m <sup>2</sup> K)	Effective R-Value h*ft <sup>2</sup> *°F/ BTU (m <sup>2</sup> K/W)	Effective U-Value BTU/h*ft <sup>2</sup> *°F (W/m <sup>2</sup> K)	Effective R-Value h*ft <sup>2</sup> *°F/ BTU (m <sup>2</sup> K/W)	Effective U-Value BTU/h*ft <sup>2</sup> *°F (W/m <sup>2</sup> K)	Effective R-Value h*ft <sup>2</sup> *°F/ BTU (m <sup>2</sup> K/W)	Effective U-Value BTU/h*ft <sup>2</sup> *°F (W/m <sup>2</sup> K)	Effective R-Value h*ft <sup>2</sup> *°F/ BTU (m <sup>2</sup> K/W)	Effective U-Value BTU/h*ft <sup>2</sup> *°F (W/m <sup>2</sup> K)	Effective R-Value h*ft <sup>2</sup> *°F/ BTU (m <sup>2</sup> K/W)
16" (406.4mm)		0.38 pcs/ft <sup>2</sup> (bracket) 4.04 pcs/m <sup>2</sup> (bracket)		0.3 pcs/ft <sup>2</sup> (bracket) 3.28 pcs/m <sup>2</sup> (bracket)		0.26 pcs/ft <sup>2</sup> (bracket) 2.78 pcs/m <sup>2</sup> (bracket)		0.23 pcs/ft <sup>2</sup> (bracket) 2.52 pcs/m <sup>2</sup> (bracket)		0.21 pcs/ft <sup>2</sup> (bracket) 2.28 pcs/m <sup>2</sup> (bracket)	
		0.75 ft/ft <sup>2</sup> (rails) 2.46 m/m <sup>2</sup> (rails)									
	4 (10.2)	0.018 (0.104)	54.634 (9.619)	0.018 (0.102)	55.48 (9.768)	0.018 (0.101)	56.059 (9.869)	0.018 (0.101)	56.365 (9.923)	0.018 (0.1)	56.643 (9.972)
	5 (12.7)	0.016 (0.092)	61.966 (10.91)	0.016 (0.091)	62.585 (11.019)	0.016 (0.09)	63.004 (11.092)	0.016 (0.09)	63.225 (11.131)	0.016 (0.09)	63.425 (11.166)
	6 (15.2)	0.015 (0.086)	66.302 (11.673)	0.015 (0.085)	67.13 (11.819)	0.015 (0.084)	67.694 (11.918)	0.015 (0.084)	67.991 (11.97)	0.015 (0.083)	68.261 (12.018)
24" (609.6mm)		0.25 pcs/ft <sup>2</sup> (bracket) 2.69 pcs/m <sup>2</sup> (bracket)		0.2 pcs/ft <sup>2</sup> (bracket) 2.19 pcs/m <sup>2</sup> (bracket)		0.17 pcs/ft <sup>2</sup> (bracket) 1.85 pcs/m <sup>2</sup> (bracket)		0.16 pcs/ft <sup>2</sup> (bracket) 1.68 pcs/m <sup>2</sup> (bracket)		0.14 pcs/ft <sup>2</sup> (bracket) 1.52 pcs/m <sup>2</sup> (bracket)	
		0.5 ft/ft <sup>2</sup> (rails) 1.64 m/m <sup>2</sup> (rails)									
	4 (10.2)	0.017 (0.099)	57.512 (10.125)	0.017 (0.098)	58.135 (10.235)	0.017 (0.097)	58.557 (10.309)	0.017 (0.097)	58.779 (10.348)	0.017 (0.096)	58.981 (10.384)
	5 (12.7)	0.016 (0.089)	64.01 (11.269)	0.016 (0.088)	64.449 (11.347)	0.015 (0.088)	64.745 (11.399)	0.015 (0.088)	64.9 (11.426)	0.015 (0.087)	65.04 (11.451)
	6 (15.2)	0.015 (0.083)	68.327 (12.029)	0.015 (0.082)	68.912 (12.132)	0.014 (0.082)	69.306 (12.202)	0.014 (0.082)	69.514 (12.238)	0.014 (0.081)	69.702 (12.271)
32" (812.8mm)		0.19 pcs/ft <sup>2</sup> (bracket) 2.02 pcs/m <sup>2</sup> (bracket)		0.15 pcs/ft <sup>2</sup> (bracket) 1.64 pcs/m <sup>2</sup> (bracket)		0.13 pcs/ft <sup>2</sup> (bracket) 1.39 pcs/m <sup>2</sup> (bracket)		0.12 pcs/ft <sup>2</sup> (bracket) 1.26 pcs/m <sup>2</sup> (bracket)		0.11 pcs/ft <sup>2</sup> (bracket) 1.14 pcs/m <sup>2</sup> (bracket)	
		0.38 ft/ft <sup>2</sup> (rails) 1.23 m/m <sup>2</sup> (rails)									
	4 (10.2)	0.017 (0.096)	59.069 (10.399)	0.017 (0.095)	59.56 (10.486)	0.017 (0.095)	59.892 (10.544)	0.017 (0.095)	60.066 (10.575)	0.017 (0.094)	60.224 (10.603)
	5 (12.7)	0.015 (0.087)	65.083 (11.458)	0.015 (0.087)	65.423 (11.518)	0.015 (0.087)	65.651 (11.558)	0.015 (0.086)	65.771 (11.579)	0.015 (0.086)	65.879 (11.598)
	6 (15.2)	0.014 (0.082)	69.387 (12.216)	0.014 (0.081)	69.838 (12.296)	0.014 (0.081)	70.142 (12.349)	0.014 (0.081)	70.301 (12.377)	0.014 (0.081)	70.445 (12.402)
40" (1016mm)		0.15 pcs/ft <sup>2</sup> (bracket) 1.61 pcs/m <sup>2</sup> (bracket)		0.12 pcs/ft <sup>2</sup> (bracket) 1.31 pcs/m <sup>2</sup> (bracket)		0.1 pcs/ft <sup>2</sup> (bracket) 1.11 pcs/m <sup>2</sup> (bracket)		0.09 pcs/ft <sup>2</sup> (bracket) 1.01 pcs/m <sup>2</sup> (bracket)		0.08 pcs/ft <sup>2</sup> (bracket) 0.91 pcs/m <sup>2</sup> (bracket)	
		0.3 ft/ft <sup>2</sup> (rails) 0.98 m/m <sup>2</sup> (rails)									
	4 (10.2)	0.017 (0.095)	60.044 (10.571)	0.017 (0.094)	60.449 (10.642)	0.016 (0.094)	60.722 (10.691)	0.016 (0.093)	60.865 (10.716)	0.016 (0.093)	60.995 (10.739)
	5 (12.7)	0.015 (0.086)	65.745 (11.575)	0.015 (0.086)	66.022 (11.624)	0.015 (0.086)	66.208 (11.656)	0.015 (0.086)	66.305 (11.673)	0.015 (0.086)	66.393 (11.689)
	6 (15.2)	0.014 (0.081)	70.039 (12.331)	0.014 (0.081)	70.407 (12.396)	0.014 (0.08)	70.653 (12.439)	0.014 (0.08)	70.782 (12.462)	0.014 (0.08)	70.899 (12.482)

\*Between insulation thicknesses the values can be interpolated

# R-VALUE TABLES

## Fox HT Concrete 2" (50.8mm)

**Brackets:** Horizontal thermally broken brackets (medium size)

**Base Material:** Concrete 2" (50.8mm)

Horizontal Stud to Stud Spacing	Exterior Insulation Thickness* in. (cm)	Vertical Bracket to Bracket Spacing									
		24" Vertical (609.6mm)		30" Vertical (762mm)		36" Vertical (914.4mm)		42" Vertical (1066.8mm)		48" Vertical (1219.2mm)	
		Effective U-Value BTU/h*ft <sup>2</sup> *°F (W/m <sup>2</sup> K)	Effective R-Value h*ft <sup>2</sup> *°F/ BTU (m <sup>2</sup> K/W)	Effective U-Value BTU/h*ft <sup>2</sup> *°F (W/m <sup>2</sup> K)	Effective R-Value h*ft <sup>2</sup> *°F/ BTU (m <sup>2</sup> K/W)	Effective U-Value BTU/h*ft <sup>2</sup> *°F (W/m <sup>2</sup> K)	Effective R-Value h*ft <sup>2</sup> *°F/ BTU (m <sup>2</sup> K/W)	Effective U-Value BTU/h*ft <sup>2</sup> *°F (W/m <sup>2</sup> K)	Effective R-Value h*ft <sup>2</sup> *°F/ BTU (m <sup>2</sup> K/W)	Effective U-Value BTU/h*ft <sup>2</sup> *°F (W/m <sup>2</sup> K)	Effective R-Value h*ft <sup>2</sup> *°F/ BTU (m <sup>2</sup> K/W)
16" (406.4mm)		0.38 pcs/ft <sup>2</sup> (bracket) 4.04 pcs/m <sup>2</sup> (bracket)		0.3 pcs/ft <sup>2</sup> (bracket) 3.28 pcs/m <sup>2</sup> (bracket)		0.26 pcs/ft <sup>2</sup> (bracket) 2.78 pcs/m <sup>2</sup> (bracket)		0.23 pcs/ft <sup>2</sup> (bracket) 2.52 pcs/m <sup>2</sup> (bracket)		0.21 pcs/ft <sup>2</sup> (bracket) 2.28 pcs/m <sup>2</sup> (bracket)	
		0.75 ft/ft <sup>2</sup> (rails) 2.46 m/m <sup>2</sup> (rails)									
	4 (10.2)	0.057 (0.324)	17.552 (3.09)	0.057 (0.322)	17.663 (3.11)	0.056 (0.32)	17.738 (3.123)	0.056 (0.32)	17.777 (3.13)	0.056 (0.319)	17.813 (3.136)
	5 (12.7)	0.045 (0.258)	21.983 (3.87)	0.045 (0.257)	22.074 (3.886)	0.045 (0.257)	22.134 (3.897)	0.045 (0.256)	22.166 (3.902)	0.045 (0.256)	22.195 (3.908)
	6 (15.2)	0.038 (0.219)	25.98 (4.574)	0.038 (0.217)	26.134 (4.601)	0.038 (0.216)	26.237 (4.619)	0.038 (0.216)	26.291 (4.629)	0.038 (0.216)	26.34 (4.637)
24" (609.6mm)		0.25 pcs/ft <sup>2</sup> (bracket) 2.69 pcs/m <sup>2</sup> (bracket)		0.2 pcs/ft <sup>2</sup> (bracket) 2.19 pcs/m <sup>2</sup> (bracket)		0.17 pcs/ft <sup>2</sup> (bracket) 1.85 pcs/m <sup>2</sup> (bracket)		0.16 pcs/ft <sup>2</sup> (bracket) 1.68 pcs/m <sup>2</sup> (bracket)		0.14 pcs/ft <sup>2</sup> (bracket) 1.52 pcs/m <sup>2</sup> (bracket)	
		0.5 ft/ft <sup>2</sup> (rails) 1.64 m/m <sup>2</sup> (rails)									
	4 (10.2)	0.056 (0.318)	17.884 (3.149)	0.056 (0.316)	17.961 (3.162)	0.056 (0.315)	18.012 (3.171)	0.055 (0.315)	18.039 (3.176)	0.055 (0.314)	18.064 (3.18)
	5 (12.7)	0.045 (0.255)	22.259 (3.919)	0.045 (0.254)	22.32 (3.93)	0.045 (0.254)	22.362 (3.941)	0.045 (0.254)	22.383 (3.941)	0.045 (0.254)	22.403 (3.944)
	6 (15.2)	0.038 (0.216)	26.335 (4.636)	0.038 (0.215)	26.44 (4.655)	0.038 (0.214)	26.51 (4.667)	0.038 (0.214)	26.547 (4.674)	0.038 (0.214)	26.58 (4.68)
32" (812.8mm)		0.19 pcs/ft <sup>2</sup> (bracket) 2.02 pcs/m <sup>2</sup> (bracket)		0.15 pcs/ft <sup>2</sup> (bracket) 1.64 pcs/m <sup>2</sup> (bracket)		0.13 pcs/ft <sup>2</sup> (bracket) 1.39 pcs/m <sup>2</sup> (bracket)		0.12 pcs/ft <sup>2</sup> (bracket) 1.26 pcs/m <sup>2</sup> (bracket)		0.11 pcs/ft <sup>2</sup> (bracket) 1.14 pcs/m <sup>2</sup> (bracket)	
		0.38 ft/ft <sup>2</sup> (rails) 1.23 m/m <sup>2</sup> (rails)									
	4 (10.2)	0.0554 (0.315)	18.0546 (3.179)	0.0552 (0.314)	18.1134 (3.189)	0.0551 (0.313)	18.1527 (3.196)	0.055 (0.313)	18.1732 (3.2)	0.055 (0.312)	18.1918 (3.203)
	5 (12.7)	0.0446 (0.254)	22.3991 (3.943)	0.0446 (0.253)	22.4459 (3.952)	0.0445 (0.253)	22.4771 (3.957)	0.0445 (0.253)	22.4935 (3.96)	0.0444 (0.252)	22.5082 (3.963)
	6 (15.2)	0.0377 (0.214)	26.5159 (4.668)	0.0376 (0.214)	26.5957 (4.682)	0.0375 (0.213)	26.649 (4.692)	0.0375 (0.213)	26.6769 (4.697)	0.0375 (0.213)	26.7021 (4.701)
40" (1016mm)		0.15 pcs/ft <sup>2</sup> (bracket) 1.61 pcs/m <sup>2</sup> (bracket)		0.12 pcs/ft <sup>2</sup> (bracket) 1.31 pcs/m <sup>2</sup> (bracket)		0.1 pcs/ft <sup>2</sup> (bracket) 1.11 pcs/m <sup>2</sup> (bracket)		0.09 pcs/ft <sup>2</sup> (bracket) 1.01 pcs/m <sup>2</sup> (bracket)		0.08 pcs/ft <sup>2</sup> (bracket) 0.91 pcs/m <sup>2</sup> (bracket)	
		0.3 ft/ft <sup>2</sup> (rails) 0.98 m/m <sup>2</sup> (rails)									
	4 (10.2)	0.055 (0.313)	18.159 (3.197)	0.055 (0.312)	18.206 (3.205)	0.055 (0.311)	18.238 (3.211)	0.055 (0.311)	18.255 (3.214)	0.055 (0.311)	18.27 (3.216)
	5 (12.7)	0.044 (0.253)	22.484 (3.958)	0.044 (0.252)	22.522 (3.965)	0.044 (0.252)	22.547 (3.97)	0.044 (0.252)	22.56 (3.972)	0.044 (0.252)	22.572 (3.974)
	6 (15.2)	0.038 (0.213)	26.626 (4.688)	0.037 (0.213)	26.69 (4.699)	0.037 (0.212)	26.733 (4.707)	0.037 (0.212)	26.755 (4.71)	0.037 (0.212)	26.776 (4.714)

\*Between insulation thicknesses the values can be interpolated

# R-VALUE TABLES

## Fox HT Concrete 3" (76.2mm)

**Brackets:** Horizontal thermally broken brackets (medium size)

**Base Material:** Concrete 3" (76.2mm)

Horizontal Stud to Stud Spacing	Exterior Insulation Thickness* in. (cm)	Vertical Bracket to Bracket Spacing									
		24" Vertical (609.6mm)		30" Vertical (762mm)		36" Vertical (914.4mm)		42" Vertical (1066.8mm)		48" Vertical (1219.2mm)	
		Effective U-Value BTU/h*ft <sup>2</sup> *°F (W/m <sup>2</sup> K)	Effective R-Value h*ft <sup>2</sup> *°F/ BTU (m <sup>2</sup> K/W)	Effective U-Value BTU/h*ft <sup>2</sup> *°F (W/m <sup>2</sup> K)	Effective R-Value h*ft <sup>2</sup> *°F/ BTU (m <sup>2</sup> K/W)	Effective U-Value BTU/h*ft <sup>2</sup> *°F (W/m <sup>2</sup> K)	Effective R-Value h*ft <sup>2</sup> *°F/ BTU (m <sup>2</sup> K/W)	Effective U-Value BTU/h*ft <sup>2</sup> *°F (W/m <sup>2</sup> K)	Effective R-Value h*ft <sup>2</sup> *°F/ BTU (m <sup>2</sup> K/W)	Effective U-Value BTU/h*ft <sup>2</sup> *°F (W/m <sup>2</sup> K)	Effective R-Value h*ft <sup>2</sup> *°F/ BTU (m <sup>2</sup> K/W)
16" (406.4mm)		0.38 pcs/ft <sup>2</sup> (bracket) 4.04 pcs/m <sup>2</sup> (bracket)		0.3 pcs/ft <sup>2</sup> (bracket) 3.28 pcs/m <sup>2</sup> (bracket)		0.26 pcs/ft <sup>2</sup> (bracket) 2.78 pcs/m <sup>2</sup> (bracket)		0.23 pcs/ft <sup>2</sup> (bracket) 2.52 pcs/m <sup>2</sup> (bracket)		0.21 pcs/ft <sup>2</sup> (bracket) 2.28 pcs/m <sup>2</sup> (bracket)	
		0.75 ft/ft <sup>2</sup> (rails) 2.46 m/m <sup>2</sup> (rails)									
	4 (10.2)	0.057 (0.322)	17.613 (3.101)	0.056 (0.32)	17.725 (3.121)	0.056 (0.319)	17.8 (3.134)	0.056 (0.318)	17.84 (3.141)	0.056 (0.318)	17.876 (3.147)
	5 (12.7)	0.045 (0.258)	22.047 (3.882)	0.045 (0.257)	22.138 (3.898)	0.045 (0.256)	22.199 (3.908)	0.045 (0.256)	22.231 (3.914)	0.045 (0.255)	22.26 (3.919)
6 (15.2)	0.038 (0.218)	26.044 (4.585)	0.038 (0.217)	26.198 (4.612)	0.038 (0.216)	26.302 (4.631)	0.038 (0.216)	26.356 (4.64)	0.038 (0.215)	26.405 (4.649)	
24" (609.6mm)		0.25 pcs/ft <sup>2</sup> (bracket) 2.69 pcs/m <sup>2</sup> (bracket)		0.2 pcs/ft <sup>2</sup> (bracket) 2.19 pcs/m <sup>2</sup> (bracket)		0.17 pcs/ft <sup>2</sup> (bracket) 1.85 pcs/m <sup>2</sup> (bracket)		0.16 pcs/ft <sup>2</sup> (bracket) 1.68 pcs/m <sup>2</sup> (bracket)		0.14 pcs/ft <sup>2</sup> (bracket) 1.52 pcs/m <sup>2</sup> (bracket)	
		0.5 ft/ft <sup>2</sup> (rails) 1.64 m/m <sup>2</sup> (rails)									
	4 (10.2)	0.056 (0.316)	17.947 (3.16)	0.055 (0.315)	18.025 (3.173)	0.055 (0.314)	18.077 (3.183)	0.055 (0.314)	18.104 (3.187)	0.055 (0.313)	18.128 (3.192)
	5 (12.7)	0.045 (0.254)	22.324 (3.93)	0.045 (0.254)	22.386 (3.941)	0.045 (0.253)	22.428 (3.949)	0.045 (0.253)	22.449 (3.952)	0.045 (0.253)	22.469 (3.956)
6 (15.2)	0.038 (0.215)	26.4 (4.648)	0.038 (0.214)	26.505 (4.666)	0.038 (0.214)	26.576 (4.679)	0.038 (0.213)	26.613 (4.685)	0.038 (0.213)	26.647 (4.691)	
32" (812.8mm)		0.19 pcs/ft <sup>2</sup> (bracket) 2.02 pcs/m <sup>2</sup> (bracket)		0.15 pcs/ft <sup>2</sup> (bracket) 1.64 pcs/m <sup>2</sup> (bracket)		0.13 pcs/ft <sup>2</sup> (bracket) 1.39 pcs/m <sup>2</sup> (bracket)		0.12 pcs/ft <sup>2</sup> (bracket) 1.26 pcs/m <sup>2</sup> (bracket)		0.11 pcs/ft <sup>2</sup> (bracket) 1.14 pcs/m <sup>2</sup> (bracket)	
		0.38 ft/ft <sup>2</sup> (rails) 1.23 m/m <sup>2</sup> (rails)									
	4 (10.2)	0.055 (0.313)	18.119 (3.19)	0.055 (0.312)	18.179 (3.2)	0.055 (0.312)	18.218 (3.207)	0.055 (0.311)	18.239 (3.211)	0.055 (0.311)	18.258 (3.214)
	5 (12.7)	0.045 (0.253)	22.465 (3.955)	0.044 (0.252)	22.512 (3.963)	0.044 (0.252)	22.544 (3.969)	0.044 (0.252)	22.56 (3.972)	0.044 (0.252)	22.575 (3.974)
6 (15.2)	0.038 (0.214)	26.582 (4.68)	0.038 (0.213)	26.662 (4.694)	0.037 (0.213)	26.716 (4.703)	0.037 (0.212)	26.744 (4.708)	0.037 (0.212)	26.769 (4.713)	
40" (1016mm)		0.15 pcs/ft <sup>2</sup> (bracket) 1.61 pcs/m <sup>2</sup> (bracket)		0.12 pcs/ft <sup>2</sup> (bracket) 1.31 pcs/m <sup>2</sup> (bracket)		0.1 pcs/ft <sup>2</sup> (bracket) 1.11 pcs/m <sup>2</sup> (bracket)		0.09 pcs/ft <sup>2</sup> (bracket) 1.01 pcs/m <sup>2</sup> (bracket)		0.08 pcs/ft <sup>2</sup> (bracket) 0.91 pcs/m <sup>2</sup> (bracket)	
		0.3 ft/ft <sup>2</sup> (rails) 0.98 m/m <sup>2</sup> (rails)									
	4 (10.2)	0.055 (0.312)	18.224 (3.209)	0.055 (0.311)	18.272 (3.217)	0.055 (0.31)	18.304 (3.223)	0.055 (0.31)	18.321 (3.225)	0.055 (0.31)	18.336 (3.228)
	5 (12.7)	0.044 (0.252)	22.551 (3.97)	0.044 (0.251)	22.589 (3.977)	0.044 (0.251)	22.614 (3.981)	0.044 (0.251)	22.627 (3.984)	0.044 (0.251)	22.639 (3.986)
6 (15.2)	0.037 (0.213)	26.692 (4.699)	0.037 (0.212)	26.757 (4.711)	0.037 (0.212)	26.8 (4.718)	0.037 (0.212)	26.822 (4.722)	0.037 (0.212)	26.843 (4.726)	

\*Between insulation thicknesses the values can be interpolated

# R-VALUE TABLES

## Fox HT Concrete 4" (101.6mm)

**Brackets:** Horizontal thermally broken brackets (medium size)

**Base Material:** Concrete 4" (101.6mm)

Horizontal Stud to Stud Spacing	Exterior Insulation Thickness* in. (cm)	Vertical Bracket to Bracket Spacing									
		24" Vertical (609.6mm)		30" Vertical (762mm)		36" Vertical (914.4mm)		42" Vertical (1066.8mm)		48" Vertical (1219.2mm)	
		Effective U-Value BTU/h*ft <sup>2</sup> *°F (W/m <sup>2</sup> K)	Effective R-Value h*ft <sup>2</sup> *°F/ BTU (m <sup>2</sup> K/W)	Effective U-Value BTU/h*ft <sup>2</sup> *°F (W/m <sup>2</sup> K)	Effective R-Value h*ft <sup>2</sup> *°F/ BTU (m <sup>2</sup> K/W)	Effective U-Value BTU/h*ft <sup>2</sup> *°F (W/m <sup>2</sup> K)	Effective R-Value h*ft <sup>2</sup> *°F/ BTU (m <sup>2</sup> K/W)	Effective U-Value BTU/h*ft <sup>2</sup> *°F (W/m <sup>2</sup> K)	Effective R-Value h*ft <sup>2</sup> *°F/ BTU (m <sup>2</sup> K/W)	Effective U-Value BTU/h*ft <sup>2</sup> *°F (W/m <sup>2</sup> K)	Effective R-Value h*ft <sup>2</sup> *°F/ BTU (m <sup>2</sup> K/W)
16" (406.4mm)		0.38 pcs/ft <sup>2</sup> (bracket) 4.04 pcs/m <sup>2</sup> (bracket)		0.3 pcs/ft <sup>2</sup> (bracket) 3.28 pcs/m <sup>2</sup> (bracket)		0.26 pcs/ft <sup>2</sup> (bracket) 2.78 pcs/m <sup>2</sup> (bracket)		0.23 pcs/ft <sup>2</sup> (bracket) 2.52 pcs/m <sup>2</sup> (bracket)		0.21 pcs/ft <sup>2</sup> (bracket) 2.28 pcs/m <sup>2</sup> (bracket)	
		0.75 ft/ft <sup>2</sup> (rails) 2.46 m/m <sup>2</sup> (rails)									
	4 (10.2)	0.057 (0.321)	17.674 (3.112)	0.056 (0.319)	17.787 (3.132)	0.056 (0.318)	17.863 (3.145)	0.056 (0.317)	17.903 (3.152)	0.056 (0.317)	17.939 (3.158)
	5 (12.7)	0.045 (0.257)	22.111 (3.893)	0.045 (0.256)	22.202 (3.909)	0.045 (0.255)	22.264 (3.92)	0.045 (0.255)	22.296 (3.925)	0.045 (0.254)	22.325 (3.93)
	6 (15.2)	0.038 (0.218)	26.107 (4.596)	0.038 (0.216)	26.262 (4.624)	0.038 (0.215)	26.366 (4.642)	0.038 (0.215)	26.421 (4.652)	0.038 (0.215)	26.47 (4.66)
24" (609.6mm)		0.25 pcs/ft <sup>2</sup> (bracket) 2.69 pcs/m <sup>2</sup> (bracket)		0.2 pcs/ft <sup>2</sup> (bracket) 2.19 pcs/m <sup>2</sup> (bracket)		0.17 pcs/ft <sup>2</sup> (bracket) 1.85 pcs/m <sup>2</sup> (bracket)		0.16 pcs/ft <sup>2</sup> (bracket) 1.68 pcs/m <sup>2</sup> (bracket)		0.14 pcs/ft <sup>2</sup> (bracket) 1.52 pcs/m <sup>2</sup> (bracket)	
		0.5 ft/ft <sup>2</sup> (rails) 1.64 m/m <sup>2</sup> (rails)									
	4 (10.2)	0.056 (0.315)	18.011 (3.171)	0.055 (0.314)	18.089 (3.185)	0.055 (0.313)	18.141 (3.194)	0.055 (0.313)	18.169 (3.199)	0.055 (0.312)	18.193 (3.203)
	5 (12.7)	0.045 (0.254)	22.389 (3.942)	0.045 (0.253)	22.452 (3.953)	0.044 (0.253)	22.494 (3.96)	0.044 (0.252)	22.515 (3.964)	0.044 (0.252)	22.535 (3.967)
	6 (15.2)	0.038 (0.215)	26.465 (4.659)	0.038 (0.214)	26.571 (4.678)	0.038 (0.213)	26.642 (4.69)	0.037 (0.213)	26.679 (4.697)	0.037 (0.213)	26.713 (4.703)
32" (812.8mm)		0.19 pcs/ft <sup>2</sup> (bracket) 2.02 pcs/m <sup>2</sup> (bracket)		0.15 pcs/ft <sup>2</sup> (bracket) 1.64 pcs/m <sup>2</sup> (bracket)		0.13 pcs/ft <sup>2</sup> (bracket) 1.39 pcs/m <sup>2</sup> (bracket)		0.12 pcs/ft <sup>2</sup> (bracket) 1.26 pcs/m <sup>2</sup> (bracket)		0.11 pcs/ft <sup>2</sup> (bracket) 1.14 pcs/m <sup>2</sup> (bracket)	
		0.38 ft/ft <sup>2</sup> (rails) 1.23 m/m <sup>2</sup> (rails)									
	4 (10.2)	0.055 (0.312)	18.184 (3.201)	0.055 (0.311)	18.244 (3.212)	0.055 (0.311)	18.284 (3.219)	0.055 (0.31)	18.305 (3.223)	0.055 (0.31)	18.323 (3.226)
	5 (12.7)	0.044 (0.252)	22.531 (3.967)	0.044 (0.252)	22.579 (3.975)	0.044 (0.251)	22.61 (3.981)	0.044 (0.251)	22.627 (3.984)	0.044 (0.251)	22.642 (3.986)
	6 (15.2)	0.038 (0.213)	26.648 (4.691)	0.037 (0.213)	26.728 (4.706)	0.037 (0.212)	26.782 (4.715)	0.037 (0.212)	26.81 (4.72)	0.037 (0.212)	26.836 (4.725)
40" (1016mm)		0.15 pcs/ft <sup>2</sup> (bracket) 1.61 pcs/m <sup>2</sup> (bracket)		0.12 pcs/ft <sup>2</sup> (bracket) 1.31 pcs/m <sup>2</sup> (bracket)		0.1 pcs/ft <sup>2</sup> (bracket) 1.11 pcs/m <sup>2</sup> (bracket)		0.09 pcs/ft <sup>2</sup> (bracket) 1.01 pcs/m <sup>2</sup> (bracket)		0.08 pcs/ft <sup>2</sup> (bracket) 0.91 pcs/m <sup>2</sup> (bracket)	
		0.3 ft/ft <sup>2</sup> (rails) 0.98 m/m <sup>2</sup> (rails)									
	4 (10.2)	0.055 (0.311)	18.29 (3.22)	0.055 (0.31)	18.338 (3.229)	0.054 (0.309)	18.37 (3.234)	0.054 (0.309)	18.387 (3.237)	0.054 (0.309)	18.402 (3.24)
	5 (12.7)	0.044 (0.251)	22.617 (3.982)	0.044 (0.251)	22.655 (3.989)	0.044 (0.25)	22.681 (3.993)	0.044 (0.25)	22.694 (3.995)	0.04 (0.25)	22.706 (3.998)
	6 (15.2)	0.037 (0.212)	26.759 (4.711)	0.037 (0.212)	26.823 (4.722)	0.037 (0.211)	26.867 (4.73)	0.037 (0.211)	26.89 (4.734)	0.037 (0.211)	26.91 (4.738)

\*Between insulation thicknesses the values can be interpolated

# R-VALUE TABLES

## Fox HT Concrete 5" (127mm)

**Brackets:** Horizontal thermally broken brackets (medium size)

**Base Material:** Concrete 5" (127mm)

Horizontal Stud to Stud Spacing	Exterior Insulation Thickness* in. (cm)	Vertical Bracket to Bracket Spacing									
		24" Vertical (609.6mm)		30" Vertical (762mm)		36" Vertical (914.4mm)		42" Vertical (1066.8mm)		48" Vertical (1219.2mm)	
		Effective U-Value BTU/h*ft <sup>2</sup> *°F (W/m <sup>2</sup> K)	Effective R-Value h*ft <sup>2</sup> *°F/ BTU (m <sup>2</sup> K/W)	Effective U-Value BTU/h*ft <sup>2</sup> *°F (W/m <sup>2</sup> K)	Effective R-Value h*ft <sup>2</sup> *°F/ BTU (m <sup>2</sup> K/W)	Effective U-Value BTU/h*ft <sup>2</sup> *°F (W/m <sup>2</sup> K)	Effective R-Value h*ft <sup>2</sup> *°F/ BTU (m <sup>2</sup> K/W)	Effective U-Value BTU/h*ft <sup>2</sup> *°F (W/m <sup>2</sup> K)	Effective R-Value h*ft <sup>2</sup> *°F/ BTU (m <sup>2</sup> K/W)	Effective U-Value BTU/h*ft <sup>2</sup> *°F (W/m <sup>2</sup> K)	Effective R-Value h*ft <sup>2</sup> *°F/ BTU (m <sup>2</sup> K/W)
16" (406.4mm)		0.38 pcs/ft <sup>2</sup> (bracket) 4.04 pcs/m <sup>2</sup> (bracket)		0.3 pcs/ft <sup>2</sup> (bracket) 3.28 pcs/m <sup>2</sup> (bracket)		0.26 pcs/ft <sup>2</sup> (bracket) 2.78 pcs/m <sup>2</sup> (bracket)		0.23 pcs/ft <sup>2</sup> (bracket) 2.52 pcs/m <sup>2</sup> (bracket)		0.21 pcs/ft <sup>2</sup> (bracket) 2.28 pcs/m <sup>2</sup> (bracket)	
		0.75 ft/ft <sup>2</sup> (rails) 2.46 m/m <sup>2</sup> (rails)									
	4 (10.2)	0.056 (0.32)	17.735 (3.122)	0.056 (0.318)	17.849 (3.142)	0.056 (0.317)	17.925 (3.156)	0.056 (0.316)	17.966 (3.163)	0.056 (0.316)	18.002 (3.169)
	5 (12.7)	0.045 (0.256)	22.174 (3.904)	0.045 (0.255)	22.266 (3.92)	0.045 (0.254)	22.328 (3.931)	0.045 (0.254)	22.36 (3.937)	0.045 (0.254)	22.389 (3.942)
	6 (15.2)	0.038 (0.217)	26.17 (4.607)	0.038 (0.216)	26.326 (4.635)	0.038 (0.215)	26.431 (4.653)	0.038 (0.214)	26.486 (4.663)	0.038 (0.214)	26.535 (4.672)
24" (609.6mm)		0.25 pcs/ft <sup>2</sup> (bracket) 2.69 pcs/m <sup>2</sup> (bracket)		0.2 pcs/ft <sup>2</sup> (bracket) 2.19 pcs/m <sup>2</sup> (bracket)		0.17 pcs/ft <sup>2</sup> (bracket) 1.85 pcs/m <sup>2</sup> (bracket)		0.16 pcs/ft <sup>2</sup> (bracket) 1.68 pcs/m <sup>2</sup> (bracket)		0.14 pcs/ft <sup>2</sup> (bracket) 1.52 pcs/m <sup>2</sup> (bracket)	
		0.5 ft/ft <sup>2</sup> (rails) 1.64 m/m <sup>2</sup> (rails)									
	4 (10.2)	0.055 (0.314)	18.074 (3.182)	0.055 (0.313)	18.153 (3.196)	0.055 (0.312)	18.206 (3.205)	0.055 (0.312)	18.233 (3.21)	0.055 (0.311)	18.258 (3.214)
	5 (12.7)	0.045 (0.253)	22.455 (3.953)	0.044 (0.252)	22.517 (3.964)	0.044 (0.252)	22.559 (3.972)	0.044 (0.252)	22.581 (3.976)	0.044 (0.251)	22.601 (3.979)
	6 (15.2)	0.038 (0.214)	26.53 (4.671)	0.038 (0.213)	26.636 (4.69)	0.037 (0.213)	26.708 (4.702)	0.037 (0.212)	26.745 (4.709)	0.037 (0.212)	26.779 (4.715)
32" (812.8mm)		0.19 pcs/ft <sup>2</sup> (bracket) 2.02 pcs/m <sup>2</sup> (bracket)		0.15 pcs/ft <sup>2</sup> (bracket) 1.64 pcs/m <sup>2</sup> (bracket)		0.13 pcs/ft <sup>2</sup> (bracket) 1.39 pcs/m <sup>2</sup> (bracket)		0.12 pcs/ft <sup>2</sup> (bracket) 1.26 pcs/m <sup>2</sup> (bracket)		0.11 pcs/ft <sup>2</sup> (bracket) 1.14 pcs/m <sup>2</sup> (bracket)	
		0.38 ft/ft <sup>2</sup> (rails) 1.23 m/m <sup>2</sup> (rails)									
	4 (10.2)	0.055 (0.311)	18.249 (3.213)	0.055 (0.31)	18.309 (3.223)	0.054 (0.31)	18.349 (3.23)	0.054 (0.309)	18.37 (3.234)	0.054 (0.309)	18.389 (3.238)
	5 (12.7)	0.044 (0.251)	22.597 (3.978)	0.044 (0.251)	22.645 (3.987)	0.044 (0.25)	22.677 (3.992)	0.044 (0.25)	22.693 (3.995)	0.044 (0.25)	22.708 (3.998)
	6 (15.2)	0.037 (0.213)	26.714 (4.703)	0.037 (0.212)	26.795 (4.717)	0.037 (0.212)	26.849 (4.727)	0.037 (0.211)	26.877 (4.732)	0.037 (0.211)	26.903 (4.736)
40" (1016mm)		0.15 pcs/ft <sup>2</sup> (bracket) 1.61 pcs/m <sup>2</sup> (bracket)		0.12 pcs/ft <sup>2</sup> (bracket) 1.31 pcs/m <sup>2</sup> (bracket)		0.1 pcs/ft <sup>2</sup> (bracket) 1.11 pcs/m <sup>2</sup> (bracket)		0.09 pcs/ft <sup>2</sup> (bracket) 1.01 pcs/m <sup>2</sup> (bracket)		0.08 pcs/ft <sup>2</sup> (bracket) 0.91 pcs/m <sup>2</sup> (bracket)	
		0.3 ft/ft <sup>2</sup> (rails) 0.98 m/m <sup>2</sup> (rails)									
	4 (10.2)	0.054 (0.309)	18.355 (3.232)	0.054 (0.309)	18.404 (3.24)	0.054 (0.308)	18.436 (3.246)	0.054 (0.308)	18.453 (3.249)	0.054 (0.308)	18.469 (3.252)
	5 (12.7)	0.044 (0.25)	22.684 (3.994)	0.044 (0.25)	22.722 (4)	0.044 (0.25)	22.748 (4.005)	0.044 (0.25)	22.761 (4.007)	0.044 (0.249)	22.773 (4.009)
	6 (15.2)	0.037 (0.212)	26.825 (4.723)	0.037 (0.211)	26.89 (4.734)	0.037 (0.211)	26.934 (4.742)	0.037 (0.211)	26.957 (4.746)	0.037 (0.211)	26.977 (4.75)

\*Between insulation thicknesses the values can be interpolated

# R-VALUE TABLES

## Fox HT Concrete 6" (152.4mm)

**Brackets:** Horizontal thermally broken brackets (medium size)

**Base Material:** Concrete 6" (152.4mm)

Horizontal Stud to Stud Spacing	Exterior Insulation Thickness <sup>a</sup> in. (cm)	Vertical Bracket to Bracket Spacing									
		24" Vertical (609.6mm)		30" Vertical (762mm)		36" Vertical (914.4mm)		42" Vertical (1066.8mm)		48" Vertical (1219.2mm)	
		Effective U-Value BTU/h*ft <sup>2</sup> *°F (W/m <sup>2</sup> K)	Effective R-Value h*ft <sup>2</sup> *°F/ BTU (m <sup>2</sup> K/W)	Effective U-Value BTU/h*ft <sup>2</sup> *°F (W/m <sup>2</sup> K)	Effective R-Value h*ft <sup>2</sup> *°F/ BTU (m <sup>2</sup> K/W)	Effective U-Value BTU/h*ft <sup>2</sup> *°F (W/m <sup>2</sup> K)	Effective R-Value h*ft <sup>2</sup> *°F/ BTU (m <sup>2</sup> K/W)	Effective U-Value BTU/h*ft <sup>2</sup> *°F (W/m <sup>2</sup> K)	Effective R-Value h*ft <sup>2</sup> *°F/ BTU (m <sup>2</sup> K/W)	Effective U-Value BTU/h*ft <sup>2</sup> *°F (W/m <sup>2</sup> K)	Effective R-Value h*ft <sup>2</sup> *°F/ BTU (m <sup>2</sup> K/W)
16" (406.4mm)		0.38 pcs/ft <sup>2</sup> (bracket) 4.04 pcs/m <sup>2</sup> (bracket)		0.3 pcs/ft <sup>2</sup> (bracket) 3.28 pcs/m <sup>2</sup> (bracket)		0.26 pcs/ft <sup>2</sup> (bracket) 2.78 pcs/m <sup>2</sup> (bracket)		0.23 pcs/ft <sup>2</sup> (bracket) 2.52 pcs/m <sup>2</sup> (bracket)		0.21 pcs/ft <sup>2</sup> (bracket) 2.28 pcs/m <sup>2</sup> (bracket)	
		0.75 ft/ft <sup>2</sup> (rails) 2.46 m/m <sup>2</sup> (rails)									
	4 (10.2)	0.056 (0.319)	17.796 (3.133)	0.056 (0.317)	17.911 (3.153)	0.056 (0.316)	17.988 (3.167)	0.055 (0.315)	18.028 (3.174)	0.055 (0.314)	18.065 (3.18)
	5 (12.7)	0.045 (0.255)	22.238 (3.915)	0.045 (0.254)	22.331 (3.931)	0.045 (0.254)	22.393 (3.942)	0.045 (0.253)	22.425 (3.948)	0.045 (0.253)	22.454 (3.953)
	6 (15.2)	0.038 (0.217)	26.233 (4.619)	0.038 (0.215)	26.39 (4.646)	0.038 (0.214)	26.495 (4.665)	0.038 (0.214)	26.55 (4.674)	0.038 (0.214)	26.6 (4.683)
24" (609.6mm)		0.25 pcs/ft <sup>2</sup> (bracket) 2.69 pcs/m <sup>2</sup> (bracket)		0.2 pcs/ft <sup>2</sup> (bracket) 2.19 pcs/m <sup>2</sup> (bracket)		0.17 pcs/ft <sup>2</sup> (bracket) 1.85 pcs/m <sup>2</sup> (bracket)		0.16 pcs/ft <sup>2</sup> (bracket) 1.68 pcs/m <sup>2</sup> (bracket)		0.14 pcs/ft <sup>2</sup> (bracket) 1.52 pcs/m <sup>2</sup> (bracket)	
		0.5 ft/ft <sup>2</sup> (rails) 1.64 m/m <sup>2</sup> (rails)									
	4 (10.2)	0.055 (0.313)	18.138 (3.193)	0.055 (0.312)	18.217 (3.207)	0.055 (0.311)	18.27 (3.217)	0.055 (0.31)	18.298 (3.221)	0.055 (0.31)	18.323 (3.226)
	5 (12.7)	0.044 (0.252)	22.52 (3.965)	0.044 (0.252)	22.583 (3.976)	0.044 (0.251)	22.625 (3.983)	0.044 (0.251)	22.647 (3.987)	0.044 (0.251)	22.667 (3.991)
	6 (15.2)	0.038 (0.214)	26.595 (4.682)	0.037 (0.213)	26.702 (4.701)	0.037 (0.212)	26.774 (4.714)	0.037 (0.212)	26.811 (4.72)	0.037 (0.212)	26.845 (4.726)
32" (812.8mm)		0.19 pcs/ft <sup>2</sup> (bracket) 2.02 pcs/m <sup>2</sup> (bracket)		0.15 pcs/ft <sup>2</sup> (bracket) 1.64 pcs/m <sup>2</sup> (bracket)		0.13 pcs/ft <sup>2</sup> (bracket) 1.39 pcs/m <sup>2</sup> (bracket)		0.12 pcs/ft <sup>2</sup> (bracket) 1.26 pcs/m <sup>2</sup> (bracket)		0.11 pcs/ft <sup>2</sup> (bracket) 1.14 pcs/m <sup>2</sup> (bracket)	
		0.38 ft/ft <sup>2</sup> (rails) 1.23 m/m <sup>2</sup> (rails)									
	4 (10.2)	0.055 (0.31)	18.314 (3.224)	0.054 (0.309)	18.374 (3.235)	0.054 (0.308)	18.415 (3.242)	0.054 (0.308)	18.436 (3.246)	0.054 (0.308)	18.455 (3.249)
	5 (12.7)	0.044 (0.251)	22.664 (3.99)	0.044 (0.25)	22.711 (3.998)	0.044 (0.25)	22.743 (4.004)	0.044 (0.25)	22.76 (4.007)	0.044 (0.249)	22.775 (4.01)
	6 (15.2)	0.037 (0.212)	26.779 (4.715)	0.037 (0.211)	26.861 (4.729)	0.037 (0.211)	26.915 (4.739)	0.037 (0.211)	26.944 (4.744)	0.037 (0.211)	26.969 (4.748)
40" (1016mm)		0.15 pcs/ft <sup>2</sup> (bracket) 1.61 pcs/m <sup>2</sup> (bracket)		0.12 pcs/ft <sup>2</sup> (bracket) 1.31 pcs/m <sup>2</sup> (bracket)		0.1 pcs/ft <sup>2</sup> (bracket) 1.11 pcs/m <sup>2</sup> (bracket)		0.09 pcs/ft <sup>2</sup> (bracket) 1.01 pcs/m <sup>2</sup> (bracket)		0.08 pcs/ft <sup>2</sup> (bracket) 0.91 pcs/m <sup>2</sup> (bracket)	
		0.3 ft/ft <sup>2</sup> (rails) 0.98 m/m <sup>2</sup> (rails)									
	4 (10.2)	0.054 (0.308)	18.421 (3.243)	0.054 (0.308)	18.47 (3.252)	0.054 (0.307)	18.502 (3.257)	0.054 (0.307)	18.52 (3.26)	0.054 (0.306)	18.535 (3.263)
	5 (12.7)	0.044 (0.25)	22.751 (4.005)	0.044 (0.249)	22.789 (4.012)	0.044 (0.249)	22.815 (4.017)	0.044 (0.249)	22.828 (4.019)	0.044 (0.249)	22.841 (4.021)
	6 (15.2)	0.037 (0.211)	26.891 (4.734)	0.037 (0.211)	26.957 (4.746)	0.037 (0.21)	27.001 (4.754)	0.037 (0.21)	27.024 (4.758)	0.037 (0.21)	27.044 (4.761)

<sup>a</sup>Between insulation thicknesses the values can be interpolated



# R-VALUE TABLES

## Fox HT Concrete 8" (203.2mm)

**Brackets:** Horizontal thermally broken brackets (medium size)

**Base Material:** Concrete 8" (203.2mm)

Horizontal Stud to Stud Spacing	Exterior Insulation Thickness* in. (cm)	Vertical Bracket to Bracket Spacing									
		24" Vertical (609.6mm)		30" Vertical (762mm)		36" Vertical (914.4mm)		42" Vertical (1066.8mm)		48" Vertical (1219.2mm)	
		Effective U-Value BTU/h*ft <sup>2</sup> *°F (W/m <sup>2</sup> K)	Effective R-Value h*ft <sup>2</sup> *°F/ BTU (m <sup>2</sup> K/W)	Effective U-Value BTU/h*ft <sup>2</sup> *°F (W/m <sup>2</sup> K)	Effective R-Value h*ft <sup>2</sup> *°F/ BTU (m <sup>2</sup> K/W)	Effective U-Value BTU/h*ft <sup>2</sup> *°F (W/m <sup>2</sup> K)	Effective R-Value h*ft <sup>2</sup> *°F/ BTU (m <sup>2</sup> K/W)	Effective U-Value BTU/h*ft <sup>2</sup> *°F (W/m <sup>2</sup> K)	Effective R-Value h*ft <sup>2</sup> *°F/ BTU (m <sup>2</sup> K/W)	Effective U-Value BTU/h*ft <sup>2</sup> *°F (W/m <sup>2</sup> K)	Effective R-Value h*ft <sup>2</sup> *°F/ BTU (m <sup>2</sup> K/W)
16" (406.4mm)		0.38 pcs/ft <sup>2</sup> (bracket) 4.04 pcs/m <sup>2</sup> (bracket)		0.3 pcs/ft <sup>2</sup> (bracket) 3.28 pcs/m <sup>2</sup> (bracket)		0.26 pcs/ft <sup>2</sup> (bracket) 2.78 pcs/m <sup>2</sup> (bracket)		0.23 pcs/ft <sup>2</sup> (bracket) 2.52 pcs/m <sup>2</sup> (bracket)		0.21 pcs/ft <sup>2</sup> (bracket) 2.28 pcs/m <sup>2</sup> (bracket)	
		0.75 ft/ft <sup>2</sup> (rails) 2.46 m/m <sup>2</sup> (rails)									
	4 (10.2)	0.056 (0.317)	17.919 (3.155)	0.055 (0.315)	18.035 (3.175)	0.055 (0.314)	18.113 (3.189)	0.055 (0.313)	18.154 (3.196)	0.055 (0.312)	18.191 (3.203)
	5 (12.7)	0.045 (0.254)	22.365 (3.938)	0.045 (0.253)	22.459 (3.954)	0.044 (0.252)	22.522 (3.965)	0.044 (0.252)	22.554 (3.971)	0.044 (0.252)	22.584 (3.976)
	6 (15.2)	0.038 (0.215)	26.36 (4.641)	0.038 (0.214)	26.518 (4.669)	0.038 (0.213)	26.624 (4.687)	0.037 (0.213)	26.68 (4.697)	0.037 (0.212)	26.73 (4.706)
24" (609.6mm)		0.25 pcs/ft <sup>2</sup> (bracket) 2.69 pcs/m <sup>2</sup> (bracket)		0.2 pcs/ft <sup>2</sup> (bracket) 2.19 pcs/m <sup>2</sup> (bracket)		0.17 pcs/ft <sup>2</sup> (bracket) 1.85 pcs/m <sup>2</sup> (bracket)		0.16 pcs/ft <sup>2</sup> (bracket) 1.68 pcs/m <sup>2</sup> (bracket)		0.14 pcs/ft <sup>2</sup> (bracket) 1.52 pcs/m <sup>2</sup> (bracket)	
		0.5 ft/ft <sup>2</sup> (rails) 1.64 m/m <sup>2</sup> (rails)									
	4 (10.2)	0.055 (0.311)	18.265 (3.216)	0.055 (0.31)	18.345 (3.23)	0.054 (0.309)	18.399 (3.239)	0.054 (0.308)	18.427 (3.244)	0.054 (0.308)	18.453 (3.249)
	5 (12.7)	0.044 (0.251)	22.65 (3.988)	0.044 (0.25)	22.714 (3.999)	0.044 (0.25)	22.757 (3.999)	0.044 (0.249)	22.779 (3.971)	0.044 (0.249)	22.799 (4.014)
	6 (15.2)	0.037 (0.213)	26.725 (4.705)	0.037 (0.212)	26.833 (4.724)	0.037 (0.211)	26.905 (4.737)	0.037 (0.211)	26.943 (4.744)	0.037 (0.211)	26.978 (4.75)
32" (812.8mm)		0.19 pcs/ft <sup>2</sup> (bracket) 2.02 pcs/m <sup>2</sup> (bracket)		0.15 pcs/ft <sup>2</sup> (bracket) 1.64 pcs/m <sup>2</sup> (bracket)		0.13 pcs/ft <sup>2</sup> (bracket) 1.39 pcs/m <sup>2</sup> (bracket)		0.12 pcs/ft <sup>2</sup> (bracket) 1.26 pcs/m <sup>2</sup> (bracket)		0.11 pcs/ft <sup>2</sup> (bracket) 1.14 pcs/m <sup>2</sup> (bracket)	
		0.38 ft/ft <sup>2</sup> (rails) 1.23 m/m <sup>2</sup> (rails)									
	4 (10.2)	0.054 (0.308)	18.443 (3.247)	0.054 (0.307)	18.505 (3.258)	0.054 (0.306)	18.546 (3.265)	0.054 (0.306)	18.567 (3.269)	0.054 (0.306)	18.586 (3.272)
	5 (12.7)	0.044 (0.249)	22.796 (4.013)	0.044 (0.249)	22.844 (4.022)	0.044 (0.248)	22.877 (4.028)	0.044 (0.248)	22.893 (4.031)	0.044 (0.248)	22.909 (4.033)
	6 (15.2)	0.037 (0.211)	26.911 (4.738)	0.037 (0.21)	26.993 (4.752)	0.037 (0.21)	27.048 (4.762)	0.037 (0.21)	27.077 (4.767)	0.037 (0.21)	27.103 (4.772)
40" (1016mm)		0.15 pcs/ft <sup>2</sup> (bracket) 1.61 pcs/m <sup>2</sup> (bracket)		0.12 pcs/ft <sup>2</sup> (bracket) 1.31 pcs/m <sup>2</sup> (bracket)		0.1 pcs/ft <sup>2</sup> (bracket) 1.11 pcs/m <sup>2</sup> (bracket)		0.09 pcs/ft <sup>2</sup> (bracket) 1.01 pcs/m <sup>2</sup> (bracket)		0.08 pcs/ft <sup>2</sup> (bracket) 0.91 pcs/m <sup>2</sup> (bracket)	
		0.3 ft/ft <sup>2</sup> (rails) 0.98 m/m <sup>2</sup> (rails)									
	4 (10.2)	0.054 (0.306)	18.552 (3.266)	0.054 (0.305)	18.602 (3.275)	0.054 (0.305)	18.635 (3.281)	0.054 (0.305)	18.652 (3.284)	0.054 (0.304)	18.668 (3.287)
	5 (12.7)	0.044 (0.248)	22.884 (4.029)	0.044 (0.248)	22.923 (4.036)	0.044 (0.248)	22.949 (4.04)	0.044 (0.247)	22.963 (4.043)	0.044 (0.247)	22.975 (4.045)
	6 (15.2)	0.037 (0.21)	27.024 (4.758)	0.037 (0.21)	27.09 (4.769)	0.037 (0.209)	27.135 (4.777)	0.037 (0.209)	27.158 (4.781)	0.037 (0.209)	27.179 (4.785)

\*Between insulation thicknesses the values can be interpolated

# R-VALUE TABLES

## Fox HT Concrete 10" (254mm)

**Brackets:** Horizontal thermally broken brackets (medium size)

**Base Material:** Concrete 10" (254mm)

Horizontal Stud to Stud Spacing	Exterior Insulation Thickness* in. (cm)	Vertical Bracket to Bracket Spacing									
		24" Vertical (609.6mm)		30" Vertical (762mm)		36" Vertical (914.4mm)		42" Vertical (1066.8mm)		48" Vertical (1219.2mm)	
		Effective U-Value BTU/h*ft <sup>2</sup> *°F (W/m <sup>2</sup> K)	Effective R-Value h*ft <sup>2</sup> *°F/ BTU (m <sup>2</sup> K/W)	Effective U-Value BTU/h*ft <sup>2</sup> *°F (W/m <sup>2</sup> K)	Effective R-Value h*ft <sup>2</sup> *°F/ BTU (m <sup>2</sup> K/W)	Effective U-Value BTU/h*ft <sup>2</sup> *°F (W/m <sup>2</sup> K)	Effective R-Value h*ft <sup>2</sup> *°F/ BTU (m <sup>2</sup> K/W)	Effective U-Value BTU/h*ft <sup>2</sup> *°F (W/m <sup>2</sup> K)	Effective R-Value h*ft <sup>2</sup> *°F/ BTU (m <sup>2</sup> K/W)	Effective U-Value BTU/h*ft <sup>2</sup> *°F (W/m <sup>2</sup> K)	Effective R-Value h*ft <sup>2</sup> *°F/ BTU (m <sup>2</sup> K/W)
16" (406.4mm)		0.38 pcs/ft <sup>2</sup> (bracket) 4.04 pcs/m <sup>2</sup> (bracket)		0.3 pcs/ft <sup>2</sup> (bracket) 3.28 pcs/m <sup>2</sup> (bracket)		0.26 pcs/ft <sup>2</sup> (bracket) 2.78 pcs/m <sup>2</sup> (bracket)		0.23 pcs/ft <sup>2</sup> (bracket) 2.52 pcs/m <sup>2</sup> (bracket)		0.21 pcs/ft <sup>2</sup> (bracket) 2.28 pcs/m <sup>2</sup> (bracket)	
		0.75 ft/ft <sup>2</sup> (rails) 2.46 m/m <sup>2</sup> (rails)									
	4 (10.2)	0.055 (0.315)	18.041 (3.176)	0.055 (0.313)	18.158 (3.197)	0.055 (0.311)	18.238 (3.211)	0.055 (0.311)	18.279 (3.218)	0.055 (0.31)	18.317 (3.225)
	5 (12.7)	0.044 (0.253)	22.493 (3.96)	0.044 (0.251)	22.587 (3.977)	0.044 (0.251)	22.651 (3.988)	0.044 (0.25)	22.684 (3.994)	0.044 (0.25)	22.714 (3.999)
	6 (15.2)	0.038 (0.214)	26.486 (4.663)	0.038 (0.213)	26.646 (4.691)	0.037 (0.212)	26.753 (4.71)	0.037 (0.212)	26.809 (4.72)	0.037 (0.211)	26.86 (4.729)
24" (609.6mm)		0.25 pcs/ft <sup>2</sup> (bracket) 2.69 pcs/m <sup>2</sup> (bracket)		0.2 pcs/ft <sup>2</sup> (bracket) 2.19 pcs/m <sup>2</sup> (bracket)		0.17 pcs/ft <sup>2</sup> (bracket) 1.85 pcs/m <sup>2</sup> (bracket)		0.16 pcs/ft <sup>2</sup> (bracket) 1.68 pcs/m <sup>2</sup> (bracket)		0.14 pcs/ft <sup>2</sup> (bracket) 1.52 pcs/m <sup>2</sup> (bracket)	
		0.5 ft/ft <sup>2</sup> (rails) 1.64 m/m <sup>2</sup> (rails)									
	4 (10.2)	0.054 (0.309)	18.392 (3.238)	0.054 (0.307)	18.473 (3.252)	0.054 (0.307)	18.528 (3.262)	0.054 (0.306)	18.556 (3.267)	0.054 (0.306)	18.582 (3.272)
	5 (12.7)	0.044 (0.249)	22.781 (4.011)	0.044 (0.249)	22.846 (4.022)	0.044 (0.248)	22.889 (4.03)	0.044 (0.248)	22.911 (4.034)	0.044 (0.248)	22.932 (4.037)
	6 (15.2)	0.037 (0.212)	26.855 (4.728)	0.037 (0.211)	26.964 (4.747)	0.037 (0.21)	27.037 (4.76)	0.037 (0.21)	27.075 (4.767)	0.037 (0.21)	27.11 (4.773)
32" (812.8mm)		0.19 pcs/ft <sup>2</sup> (bracket) 2.02 pcs/m <sup>2</sup> (bracket)		0.15 pcs/ft <sup>2</sup> (bracket) 1.64 pcs/m <sup>2</sup> (bracket)		0.13 pcs/ft <sup>2</sup> (bracket) 1.39 pcs/m <sup>2</sup> (bracket)		0.12 pcs/ft <sup>2</sup> (bracket) 1.26 pcs/m <sup>2</sup> (bracket)		0.11 pcs/ft <sup>2</sup> (bracket) 1.14 pcs/m <sup>2</sup> (bracket)	
		0.38 ft/ft <sup>2</sup> (rails) 1.23 m/m <sup>2</sup> (rails)									
	4 (10.2)	0.054 (0.306)	18.573 (3.27)	0.054 (0.305)	18.635 (3.281)	0.054 (0.304)	18.676 (3.288)	0.053 (0.304)	18.698 (3.292)	0.053 (0.303)	18.718 (3.295)
	5 (12.7)	0.044 (0.248)	22.928 (4.037)	0.044 (0.247)	22.977 (4.045)	0.043 (0.247)	23.01 (4.051)	0.043 (0.247)	23.027 (4.054)	0.043 (0.247)	23.042 (4.057)
	6 (15.2)	0.037 (0.21)	27.043 (4.761)	0.037 (0.209)	27.126 (4.776)	0.037 (0.209)	27.181 (4.785)	0.037 (0.209)	27.21 (4.791)	0.037 (0.209)	27.237 (4.795)
40" (1016mm)		0.15 pcs/ft <sup>2</sup> (bracket) 1.61 pcs/m <sup>2</sup> (bracket)		0.12 pcs/ft <sup>2</sup> (bracket) 1.31 pcs/m <sup>2</sup> (bracket)		0.1 pcs/ft <sup>2</sup> (bracket) 1.11 pcs/m <sup>2</sup> (bracket)		0.09 pcs/ft <sup>2</sup> (bracket) 1.01 pcs/m <sup>2</sup> (bracket)		0.08 pcs/ft <sup>2</sup> (bracket) 0.91 pcs/m <sup>2</sup> (bracket)	
		0.3 ft/ft <sup>2</sup> (rails) 0.98 m/m <sup>2</sup> (rails)									
	4 (10.2)	0.054 (0.304)	18.683 (3.289)	0.053 (0.303)	18.733 (3.298)	0.053 (0.303)	18.767 (3.304)	0.053 (0.302)	18.784 (3.307)	0.053 (0.302)	18.8 (3.31)
	5 (12.7)	0.043 (0.247)	23.017 (4.052)	0.043 (0.246)	23.056 (4.059)	0.043 (0.246)	23.083 (4.064)	0.043 (0.246)	23.097 (4.066)	0.043 (0.246)	23.109 (4.068)
	6 (15.2)	0.037 (0.209)	27.157 (4.781)	0.037 (0.209)	27.224 (4.793)	0.037 (0.208)	27.269 (4.801)	0.037 (0.208)	27.292 (4.805)	0.037 (0.208)	27.313 (4.809)

\*Between insulation thicknesses the values can be interpolated

# R-VALUE TABLES

## Fox HT Concrete 12" (304.8mm)

**Brackets:** Horizontal thermally broken brackets (medium size)

**Base Material:** Concrete 12" (304.8mm)

Horizontal Stud to Stud Spacing	Exterior Insulation Thickness <sup>a</sup> in. (cm)	Vertical Bracket to Bracket Spacing									
		24" Vertical (609.6mm)		30" Vertical (762mm)		36" Vertical (914.4mm)		42" Vertical (1066.8mm)		48" Vertical (1219.2mm)	
		Effective U-Value BTU/h·ft <sup>2</sup> ·°F (W/m <sup>2</sup> K)	Effective R-Value h·ft <sup>2</sup> ·°F/ BTU (m <sup>2</sup> K/W)	Effective U-Value BTU/h·ft <sup>2</sup> ·°F (W/m <sup>2</sup> K)	Effective R-Value h·ft <sup>2</sup> ·°F/ BTU (m <sup>2</sup> K/W)	Effective U-Value BTU/h·ft <sup>2</sup> ·°F (W/m <sup>2</sup> K)	Effective R-Value h·ft <sup>2</sup> ·°F/ BTU (m <sup>2</sup> K/W)	Effective U-Value BTU/h·ft <sup>2</sup> ·°F (W/m <sup>2</sup> K)	Effective R-Value h·ft <sup>2</sup> ·°F/ BTU (m <sup>2</sup> K/W)	Effective U-Value BTU/h·ft <sup>2</sup> ·°F (W/m <sup>2</sup> K)	Effective R-Value h·ft <sup>2</sup> ·°F/ BTU (m <sup>2</sup> K/W)
16" (406.4mm)		0.38 pcs/ft <sup>2</sup> (bracket) 4.04 pcs/m <sup>2</sup> (bracket)		0.3 pcs/ft <sup>2</sup> (bracket) 3.28 pcs/m <sup>2</sup> (bracket)		0.26 pcs/ft <sup>2</sup> (bracket) 2.78 pcs/m <sup>2</sup> (bracket)		0.23 pcs/ft <sup>2</sup> (bracket) 2.52 pcs/m <sup>2</sup> (bracket)		0.21 pcs/ft <sup>2</sup> (bracket) 2.28 pcs/m <sup>2</sup> (bracket)	
		0.75 ft/ft <sup>2</sup> (rails) 2.46 m/m <sup>2</sup> (rails)									
	4 (10.2)	0.055 (0.313)	18.163 (3.198)	0.055 (0.311)	18.282 (3.219)	0.054 (0.309)	18.362 (3.233)	0.054 (0.309)	18.404 (3.24)	0.054 (0.308)	18.443 (3.247)
	5 (12.7)	0.044 (0.251)	22.62 (3.982)	0.044 (0.25)	22.715 (3.999)	0.044 (0.249)	22.78 (4.01)	0.044 (0.249)	22.813 (4.016)	0.044 (0.249)	22.843 (4.022)
6 (15.2)	0.038 (0.213)	26.612 (4.685)	0.037 (0.212)	26.774 (4.714)	0.037 (0.211)	26.882 (4.733)	0.037 (0.211)	26.939 (4.743)	0.037 (0.21)	26.99 (4.752)	
24" (609.6mm)		0.25 pcs/ft <sup>2</sup> (bracket) 2.69 pcs/m <sup>2</sup> (bracket)		0.2 pcs/ft <sup>2</sup> (bracket) 2.19 pcs/m <sup>2</sup> (bracket)		0.17 pcs/ft <sup>2</sup> (bracket) 1.85 pcs/m <sup>2</sup> (bracket)		0.16 pcs/ft <sup>2</sup> (bracket) 1.68 pcs/m <sup>2</sup> (bracket)		0.14 pcs/ft <sup>2</sup> (bracket) 1.52 pcs/m <sup>2</sup> (bracket)	
		0.5 ft/ft <sup>2</sup> (rails) 1.64 m/m <sup>2</sup> (rails)									
	4 (10.2)	0.054 (0.307)	18.519 (3.26)	0.054 (0.305)	18.601 (3.275)	0.054 (0.304)	18.657 (3.285)	0.054 (0.304)	18.686 (3.29)	0.053 (0.304)	18.712 (3.294)
	5 (12.7)	0.044 (0.248)	22.911 (4.034)	0.044 (0.247)	22.977 (4.045)	0.043 (0.247)	23.02 (4.053)	0.043 (0.246)	23.043 (4.057)	0.043 (0.246)	23.064 (4.061)
6 (15.2)	0.037 (0.21)	26.985 (4.751)	0.037 (0.21)	27.095 (4.77)	0.037 (0.209)	27.169 (4.783)	0.037 (0.209)	27.207 (4.79)	0.037 (0.208)	27.242 (4.796)	
32" (812.8mm)		0.19 pcs/ft <sup>2</sup> (bracket) 2.02 pcs/m <sup>2</sup> (bracket)		0.15 pcs/ft <sup>2</sup> (bracket) 1.64 pcs/m <sup>2</sup> (bracket)		0.13 pcs/ft <sup>2</sup> (bracket) 1.39 pcs/m <sup>2</sup> (bracket)		0.12 pcs/ft <sup>2</sup> (bracket) 1.26 pcs/m <sup>2</sup> (bracket)		0.11 pcs/ft <sup>2</sup> (bracket) 1.14 pcs/m <sup>2</sup> (bracket)	
		0.38 ft/ft <sup>2</sup> (rails) 1.23 m/m <sup>2</sup> (rails)									
	4 (10.2)	0.053 (0.304)	18.702 (3.293)	0.053 (0.303)	18.765 (3.304)	0.053 (0.302)	18.807 (3.311)	0.053 (0.302)	18.829 (3.315)	0.053 (0.301)	18.849 (3.319)
	5 (12.7)	0.043 (0.246)	23.06 (4.06)	0.043 (0.246)	23.11 (4.069)	0.043 (0.245)	23.143 (4.074)	0.043 (0.245)	23.16 (4.077)	0.043 (0.245)	23.176 (4.08)
6 (15.2)	0.037 (0.209)	27.175 (4.784)	0.037 (0.208)	27.258 (4.799)	0.037 (0.208)	27.314 (4.809)	0.037 (0.208)	27.344 (4.814)	0.037 (0.208)	27.37 (4.819)	
40" (1016mm)		0.15 pcs/ft <sup>2</sup> (bracket) 1.61 pcs/m <sup>2</sup> (bracket)		0.12 pcs/ft <sup>2</sup> (bracket) 1.31 pcs/m <sup>2</sup> (bracket)		0.1 pcs/ft <sup>2</sup> (bracket) 1.11 pcs/m <sup>2</sup> (bracket)		0.09 pcs/ft <sup>2</sup> (bracket) 1.01 pcs/m <sup>2</sup> (bracket)		0.08 pcs/ft <sup>2</sup> (bracket) 0.91 pcs/m <sup>2</sup> (bracket)	
		0.3 ft/ft <sup>2</sup> (rails) 0.98 m/m <sup>2</sup> (rails)									
	4 (10.2)	0.053 (0.302)	18.814 (3.312)	0.053 (0.301)	18.865 (3.321)	0.053 (0.301)	18.899 (3.327)	0.053 (0.3)	18.917 (3.33)	0.053 (0.3)	18.933 (3.333)
	5 (12.7)	0.043 (0.245)	23.15 (4.076)	0.043 (0.245)	23.19 (4.083)	0.043 (0.245)	23.217 (4.087)	0.043 (0.245)	23.231 (4.09)	0.043 (0.244)	23.243 (4.092)
6 (15.2)	0.037 (0.208)	27.29 (4.805)	0.037 (0.208)	27.357 (4.816)	0.036 (0.207)	27.403 (4.824)	0.036 (0.207)	27.426 (4.829)	0.036 (0.207)	27.447 (4.832)	

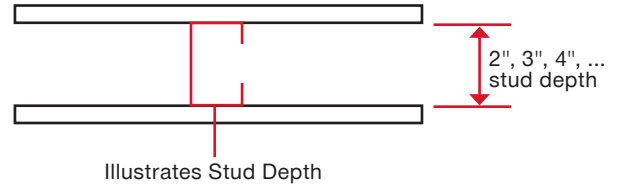
<sup>a</sup>Between insulation thicknesses the values can be interpolated

# R-VALUE TABLES

## Fox HT Metal Studs (Insulated) 2" (50.8mm)

**Brackets:** Horizontal thermally broken brackets (medium size)

**Base Material:** Metal studs (insulated)



Horizontal Stud to Stud Spacing	Exterior Insulation Thickness <sup>1</sup> in. (cm)	Vertical Bracket to Bracket Spacing									
		24" Vertical (609.6mm)		30" Vertical (762mm)		36" Vertical (914.4mm)		42" Vertical (1066.8mm)		48" Vertical (1219.2mm)	
		Effective U-Value BTU/h*ft <sup>2</sup> *°F (W/m <sup>2</sup> K)	Effective R-Value h*ft <sup>2</sup> *°F/ BTU (m <sup>2</sup> K/W)	Effective U-Value BTU/h*ft <sup>2</sup> *°F (W/m <sup>2</sup> K)	Effective R-Value h*ft <sup>2</sup> *°F/ BTU (m <sup>2</sup> K/W)	Effective U-Value BTU/h*ft <sup>2</sup> *°F (W/m <sup>2</sup> K)	Effective R-Value h*ft <sup>2</sup> *°F/ BTU (m <sup>2</sup> K/W)	Effective U-Value BTU/h*ft <sup>2</sup> *°F (W/m <sup>2</sup> K)	Effective R-Value h*ft <sup>2</sup> *°F/ BTU (m <sup>2</sup> K/W)	Effective U-Value BTU/h*ft <sup>2</sup> *°F (W/m <sup>2</sup> K)	Effective R-Value h*ft <sup>2</sup> *°F/ BTU (m <sup>2</sup> K/W)
16" (406.4mm)		0.38 pcs/ft <sup>2</sup> (bracket) 4.04 pcs/m <sup>2</sup> (bracket)		0.3 pcs/ft <sup>2</sup> (bracket) 3.28 pcs/m <sup>2</sup> (bracket)		0.26 pcs/ft <sup>2</sup> (bracket) 2.78 pcs/m <sup>2</sup> (bracket)		0.23 pcs/ft <sup>2</sup> (bracket) 2.52 pcs/m <sup>2</sup> (bracket)		0.21 pcs/ft <sup>2</sup> (bracket) 2.28 pcs/m <sup>2</sup> (bracket)	
		0.75 ft/ft <sup>2</sup> (rails) 2.46 m/m <sup>2</sup> (rails)									
	4 (10.2)	0.04 (0.227)	24.971 (4.396)	0.04 (0.225)	25.239 (4.443)	0.039 (0.223)	25.421 (4.475)	0.039 (0.223)	25.516 (4.492)	0.039 (0.222)	25.603 (4.508)
	5 (12.7)	0.034 (0.192)	29.583 (5.208)	0.034 (0.19)	29.83 (5.252)	0.033 (0.189)	29.996 (5.281)	0.033 (0.189)	30.083 (5.296)	0.033 (0.188)	30.163 (5.31)
	6 (15.2)	0.03 (0.168)	33.895 (5.967)	0.029 (0.166)	34.172 (6.016)	0.029 (0.165)	34.359 (6.049)	0.029 (0.165)	34.457 (6.066)	0.029 (0.164)	34.546 (6.082)
24" (609.6mm)		0.25 pcs/ft <sup>2</sup> (bracket) 2.69 pcs/m <sup>2</sup> (bracket)		0.2 pcs/ft <sup>2</sup> (bracket) 2.19 pcs/m <sup>2</sup> (bracket)		0.17 pcs/ft <sup>2</sup> (bracket) 1.85 pcs/m <sup>2</sup> (bracket)		0.16 pcs/ft <sup>2</sup> (bracket) 1.68 pcs/m <sup>2</sup> (bracket)		0.14 pcs/ft <sup>2</sup> (bracket) 1.52 pcs/m <sup>2</sup> (bracket)	
		0.5 ft/ft <sup>2</sup> (rails) 1.64 m/m <sup>2</sup> (rails)									
	4 (10.2)	0.039 (0.221)	25.726 (4.529)	0.039 (0.219)	25.916 (4.563)	0.038 (0.218)	26.043 (4.585)	0.038 (0.218)	26.11 (4.597)	0.038 (0.217)	26.171 (4.608)
	5 (12.7)	0.033 (0.188)	30.235 (5.323)	0.033 (0.187)	30.406 (5.353)	0.033 (0.186)	30.521 (5.373)	0.033 (0.186)	30.581 (5.384)	0.033 (0.185)	30.636 (5.394)
	6 (15.2)	0.029 (0.165)	34.529 (6.079)	0.029 (0.164)	34.72 (6.113)	0.029 (0.163)	34.849 (6.135)	0.029 (0.163)	34.916 (6.147)	0.029 (0.162)	34.977 (6.158)
32" (812.8mm)		0.19 pcs/ft <sup>2</sup> (bracket) 2.02 pcs/m <sup>2</sup> (bracket)		0.15 pcs/ft <sup>2</sup> (bracket) 1.64 pcs/m <sup>2</sup> (bracket)		0.13 pcs/ft <sup>2</sup> (bracket) 1.39 pcs/m <sup>2</sup> (bracket)		0.12 pcs/ft <sup>2</sup> (bracket) 1.26 pcs/m <sup>2</sup> (bracket)		0.11 pcs/ft <sup>2</sup> (bracket) 1.14 pcs/m <sup>2</sup> (bracket)	
		0.38 ft/ft <sup>2</sup> (rails) 1.23 m/m <sup>2</sup> (rails)									
	4 (10.2)	0.038 (0.217)	26.122 (4.599)	0.038 (0.216)	26.268 (4.625)	0.038 (0.215)	26.366 (4.642)	0.038 (0.215)	26.417 (4.651)	0.038 (0.215)	26.464 (4.659)
	5 (12.7)	0.033 (0.186)	30.571 (5.382)	0.033 (0.185)	30.702 (5.405)	0.032 (0.184)	30.79 (5.421)	0.032 (0.184)	30.836 (5.429)	0.032 (0.184)	30.878 (5.436)
	6 (15.2)	0.029 (0.163)	34.855 (6.136)	0.029 (0.162)	35.001 (6.162)	0.028 (0.162)	35.099 (6.179)	0.028 (0.162)	35.15 (6.188)	0.028 (0.161)	35.196 (6.197)
40" (1016mm)		0.15 pcs/ft <sup>2</sup> (bracket) 1.61 pcs/m <sup>2</sup> (bracket)		0.12 pcs/ft <sup>2</sup> (bracket) 1.31 pcs/m <sup>2</sup> (bracket)		0.1 pcs/ft <sup>2</sup> (bracket) 1.11 pcs/m <sup>2</sup> (bracket)		0.09 pcs/ft <sup>2</sup> (bracket) 1.01 pcs/m <sup>2</sup> (bracket)		0.08 pcs/ft <sup>2</sup> (bracket) 0.91 pcs/m <sup>2</sup> (bracket)	
		0.3 ft/ft <sup>2</sup> (rails) 0.98 m/m <sup>2</sup> (rails)									
	4 (10.2)	0.038 (0.215)	26.365 (4.642)	0.038 (0.214)	26.484 (4.663)	0.038 (0.214)	26.564 (4.677)	0.038 (0.213)	26.605 (4.684)	0.038 (0.213)	26.643 (4.691)
	5 (12.7)	0.032 (0.185)	30.777 (5.418)	0.032 (0.184)	30.883 (5.437)	0.032 (0.183)	30.954 (5.45)	0.032 (0.183)	30.991 (5.456)	0.032 (0.183)	31.025 (5.462)
	6 (15.2)	0.029 (0.162)	35.054 (6.171)	0.028 (0.161)	35.172 (6.192)	0.028 (0.161)	35.251 (6.206)	0.028 (0.161)	35.292 (6.213)	0.028 (0.161)	35.329 (6.22)

<sup>1</sup>Between insulation thicknesses the values can be interpolated

# R-VALUE TABLES

## Fox HT Metal Studs (Insulated) 3" (76.2mm)

**Brackets:** Horizontal thermally broken brackets (medium size)

**Base Material:** Metal studs (insulated)

Horizontal Stud to Stud Spacing	Exterior Insulation Thickness* in. (cm)	Vertical Bracket to Bracket Spacing									
		24" Vertical (609.6mm)		30" Vertical (762mm)		36" Vertical (914.4mm)		42" Vertical (1066.8mm)		48" Vertical (1219.2mm)	
		Effective U-Value BTU/h*ft <sup>2</sup> *°F (W/m <sup>2</sup> K)	Effective R-Value h*ft <sup>2</sup> *°F/ BTU (m <sup>2</sup> K/W)	Effective U-Value BTU/h*ft <sup>2</sup> *°F (W/m <sup>2</sup> K)	Effective R-Value h*ft <sup>2</sup> *°F/ BTU (m <sup>2</sup> K/W)	Effective U-Value BTU/h*ft <sup>2</sup> *°F (W/m <sup>2</sup> K)	Effective R-Value h*ft <sup>2</sup> *°F/ BTU (m <sup>2</sup> K/W)	Effective U-Value BTU/h*ft <sup>2</sup> *°F (W/m <sup>2</sup> K)	Effective R-Value h*ft <sup>2</sup> *°F/ BTU (m <sup>2</sup> K/W)	Effective U-Value BTU/h*ft <sup>2</sup> *°F (W/m <sup>2</sup> K)	Effective R-Value h*ft <sup>2</sup> *°F/ BTU (m <sup>2</sup> K/W)
16" (406.4mm)		0.38 pcs/ft <sup>2</sup> (bracket) 4.04 pcs/m <sup>2</sup> (bracket)		0.3 pcs/ft <sup>2</sup> (bracket) 3.28 pcs/m <sup>2</sup> (bracket)		0.26 pcs/ft <sup>2</sup> (bracket) 2.78 pcs/m <sup>2</sup> (bracket)		0.23 pcs/ft <sup>2</sup> (bracket) 2.52 pcs/m <sup>2</sup> (bracket)		0.21 pcs/ft <sup>2</sup> (bracket) 2.28 pcs/m <sup>2</sup> (bracket)	
		0.75 ft/ft <sup>2</sup> (rails) 2.46 m/m <sup>2</sup> (rails)									
	4 (10.2)	0.032 (0.183)	30.972 (5.453)	0.032 (0.181)	31.347 (5.519)	0.032 (0.18)	31.601 (5.564)	0.032 (0.179)	31.735 (5.587)	0.031 (0.178)	31.857 (5.609)
	5 (12.7)	0.028 (0.157)	36.101 (6.356)	0.027 (0.156)	36.399 (6.408)	0.027 (0.155)	36.599 (6.444)	0.027 (0.155)	36.704 (6.462)	0.027 (0.154)	36.8 (6.479)
6 (15.2)	0.025 (0.141)	40.31 (7.097)	0.025 (0.14)	40.681 (7.162)	0.024 (0.139)	40.932 (7.206)	0.024 (0.138)	41.063 (7.229)	0.024 (0.138)	41.183 (7.251)	
24" (609.6mm)		0.25 pcs/ft <sup>2</sup> (bracket) 2.69 pcs/m <sup>2</sup> (bracket)		0.2 pcs/ft <sup>2</sup> (bracket) 2.19 pcs/m <sup>2</sup> (bracket)		0.17 pcs/ft <sup>2</sup> (bracket) 1.85 pcs/m <sup>2</sup> (bracket)		0.16 pcs/ft <sup>2</sup> (bracket) 1.68 pcs/m <sup>2</sup> (bracket)		0.14 pcs/ft <sup>2</sup> (bracket) 1.52 pcs/m <sup>2</sup> (bracket)	
		0.5 ft/ft <sup>2</sup> (rails) 1.64 m/m <sup>2</sup> (rails)									
	4 (10.2)	0.031 (0.177)	32.071 (5.646)	0.031 (0.176)	32.337 (5.693)	0.031 (0.175)	32.517 (5.725)	0.031 (0.174)	32.612 (5.742)	0.031 (0.174)	32.698 (5.757)
	5 (12.7)	0.027 (0.154)	36.947 (6.505)	0.027 (0.153)	37.154 (6.541)	0.027 (0.152)	37.293 (6.566)	0.027 (0.152)	37.366 (6.578)	0.027 (0.152)	37.432 (6.59)
6 (15.2)	0.024 (0.138)	41.17 (7.248)	0.024 (0.137)	41.427 (7.294)	0.024 (0.137)	41.6 (7.324)	0.024 (0.136)	41.691 (7.34)	0.024 (0.136)	41.773 (7.354)	
32" (812.8mm)		0.19 pcs/ft <sup>2</sup> (bracket) 2.02 pcs/m <sup>2</sup> (bracket)		0.15 pcs/ft <sup>2</sup> (bracket) 1.64 pcs/m <sup>2</sup> (bracket)		0.13 pcs/ft <sup>2</sup> (bracket) 1.39 pcs/m <sup>2</sup> (bracket)		0.12 pcs/ft <sup>2</sup> (bracket) 1.26 pcs/m <sup>2</sup> (bracket)		0.11 pcs/ft <sup>2</sup> (bracket) 1.14 pcs/m <sup>2</sup> (bracket)	
		0.38 ft/ft <sup>2</sup> (rails) 1.23 m/m <sup>2</sup> (rails)									
	4 (10.2)	0.031 (0.174)	32.649 (5.748)	0.03 (0.173)	32.856 (5.785)	0.03 (0.172)	32.996 (5.809)	0.03 (0.172)	33.069 (5.822)	0.03 (0.171)	33.135 (5.834)
	5 (12.7)	0.027 (0.152)	37.384 (6.582)	0.027 (0.151)	37.543 (6.61)	0.027 (0.151)	37.65 (6.628)	0.027 (0.151)	37.705 (6.638)	0.026 (0.15)	37.756 (6.647)
6 (15.2)	0.024 (0.136)	41.614 (7.326)	0.024 (0.136)	41.811 (7.361)	0.024 (0.135)	41.943 (7.384)	0.024 (0.135)	42.012 (7.396)	0.024 (0.135)	42.074 (7.407)	
40" (1016mm)		0.15 pcs/ft <sup>2</sup> (bracket) 1.61 pcs/m <sup>2</sup> (bracket)		0.12 pcs/ft <sup>2</sup> (bracket) 1.31 pcs/m <sup>2</sup> (bracket)		0.1 pcs/ft <sup>2</sup> (bracket) 1.11 pcs/m <sup>2</sup> (bracket)		0.09 pcs/ft <sup>2</sup> (bracket) 1.01 pcs/m <sup>2</sup> (bracket)		0.08 pcs/ft <sup>2</sup> (bracket) 0.91 pcs/m <sup>2</sup> (bracket)	
		0.3 ft/ft <sup>2</sup> (rails) 0.98 m/m <sup>2</sup> (rails)									
	4 (10.2)	0.03 (0.172)	33.007 (5.811)	0.03 (0.171)	33.176 (5.841)	0.03 (0.171)	33.289 (5.861)	0.03 (0.17)	33.349 (5.871)	0.03 (0.17)	33.402 (5.881)
	5 (12.7)	0.027 (0.151)	37.652 (6.629)	0.026 (0.15)	37.781 (6.652)	0.026 (0.15)	37.867 (6.667)	0.026 (0.15)	37.912 (6.675)	0.026 (0.15)	37.953 (6.682)
6 (15.2)	0.024 (0.136)	41.885 (7.374)	0.024 (0.135)	42.044 (7.402)	0.024 (0.135)	42.151 (7.421)	0.024 (0.135)	42.207 (7.431)	0.024 (0.134)	42.257 (7.44)	

\*Between insulation thicknesses the values can be interpolated

# R-VALUE TABLES

## Fox HT Metal Studs (Insulated) 4" (101.6mm)

**Brackets:** Horizontal thermally broken brackets (medium size)

**Base Material:** Metal studs (insulated)

Horizontal Stud to Stud Spacing	Exterior Insulation Thickness* in. (cm)	Vertical Bracket to Bracket Spacing									
		24" Vertical (609.6mm)		30" Vertical (762mm)		36" Vertical (914.4mm)		42" Vertical (1066.8mm)		48" Vertical (1219.2mm)	
		Effective U-Value BTU/h*ft <sup>2</sup> *°F (W/m <sup>2</sup> K)	Effective R-Value h*ft <sup>2</sup> *°F/ BTU (m <sup>2</sup> K/W)	Effective U-Value BTU/h*ft <sup>2</sup> *°F (W/m <sup>2</sup> K)	Effective R-Value h*ft <sup>2</sup> *°F/ BTU (m <sup>2</sup> K/W)	Effective U-Value BTU/h*ft <sup>2</sup> *°F (W/m <sup>2</sup> K)	Effective R-Value h*ft <sup>2</sup> *°F/ BTU (m <sup>2</sup> K/W)	Effective U-Value BTU/h*ft <sup>2</sup> *°F (W/m <sup>2</sup> K)	Effective R-Value h*ft <sup>2</sup> *°F/ BTU (m <sup>2</sup> K/W)	Effective U-Value BTU/h*ft <sup>2</sup> *°F (W/m <sup>2</sup> K)	Effective R-Value h*ft <sup>2</sup> *°F/ BTU (m <sup>2</sup> K/W)
16" (406.4mm)		0.38 pcs/ft <sup>2</sup> (bracket) 4.04 pcs/m <sup>2</sup> (bracket)		0.3 pcs/ft <sup>2</sup> (bracket) 3.28 pcs/m <sup>2</sup> (bracket)		0.26 pcs/ft <sup>2</sup> (bracket) 2.78 pcs/m <sup>2</sup> (bracket)		0.23 pcs/ft <sup>2</sup> (bracket) 2.52 pcs/m <sup>2</sup> (bracket)		0.21 pcs/ft <sup>2</sup> (bracket) 2.28 pcs/m <sup>2</sup> (bracket)	
		0.75 ft/ft <sup>2</sup> (rails) 2.46 m/m <sup>2</sup> (rails)									
	4 (10.2)	0.026 (0.15)	37.838 (6.662)	0.026 (0.148)	38.34 (6.75)	0.026 (0.147)	38.682 (6.81)	0.026 (0.146)	38.862 (6.842)	0.026 (0.146)	39.026 (6.871)
	5 (12.7)	0.023 (0.131)	43.511 (7.66)	0.023 (0.129)	43.892 (7.727)	0.023 (0.129)	44.149 (7.773)	0.023 (0.128)	44.285 (7.797)	0.023 (0.128)	44.407 (7.818)
	6 (15.2)	0.021 (0.119)	47.724 (8.402)	0.021 (0.118)	48.214 (8.488)	0.021 (0.117)	48.545 (8.547)	0.021 (0.117)	48.72 (8.577)	0.02 (0.116)	48.878 (8.605)
24" (609.6mm)		0.25 pcs/ft <sup>2</sup> (bracket) 2.69 pcs/m <sup>2</sup> (bracket)		0.2 pcs/ft <sup>2</sup> (bracket) 2.19 pcs/m <sup>2</sup> (bracket)		0.17 pcs/ft <sup>2</sup> (bracket) 1.85 pcs/m <sup>2</sup> (bracket)		0.16 pcs/ft <sup>2</sup> (bracket) 1.68 pcs/m <sup>2</sup> (bracket)		0.14 pcs/ft <sup>2</sup> (bracket) 1.52 pcs/m <sup>2</sup> (bracket)	
		0.5 ft/ft <sup>2</sup> (rails) 1.64 m/m <sup>2</sup> (rails)									
	4 (10.2)	0.025 (0.144)	39.38 (6.933)	0.025 (0.143)	39.741 (6.997)	0.025 (0.142)	39.985 (7.04)	0.025 (0.142)	40.113 (7.062)	0.025 (0.141)	40.229 (7.083)
	5 (12.7)	0.022 (0.127)	44.65 (7.861)	0.022 (0.126)	44.917 (7.908)	0.022 (0.126)	45.096 (7.939)	0.022 (0.126)	45.19 (7.956)	0.022 (0.125)	45.275 (7.971)
	6 (15.2)	0.02 (0.116)	48.878 (8.605)	0.02 (0.115)	49.219 (8.665)	0.02 (0.115)	49.449 (8.706)	0.02 (0.115)	49.569 (8.727)	0.02 (0.114)	49.679 (8.746)
32" (812.8mm)		0.19 pcs/ft <sup>2</sup> (bracket) 2.02 pcs/m <sup>2</sup> (bracket)		0.15 pcs/ft <sup>2</sup> (bracket) 1.64 pcs/m <sup>2</sup> (bracket)		0.13 pcs/ft <sup>2</sup> (bracket) 1.39 pcs/m <sup>2</sup> (bracket)		0.12 pcs/ft <sup>2</sup> (bracket) 1.26 pcs/m <sup>2</sup> (bracket)		0.11 pcs/ft <sup>2</sup> (bracket) 1.14 pcs/m <sup>2</sup> (bracket)	
		0.38 ft/ft <sup>2</sup> (rails) 1.23 m/m <sup>2</sup> (rails)									
	4 (10.2)	0.025 (0.141)	40.199 (7.077)	0.025 (0.14)	40.481 (7.127)	0.025 (0.14)	40.67 (7.16)	0.025 (0.139)	40.769 (7.178)	0.024 (0.139)	40.86 (7.194)
	5 (12.7)	0.022 (0.126)	45.242 (7.965)	0.022 (0.125)	45.447 (8.001)	0.022 (0.125)	45.585 (8.026)	0.022 (0.124)	45.657 (8.038)	0.022 (0.124)	45.722 (8.05)
	6 (15.2)	0.02 (0.115)	49.476 (8.71)	0.02 (0.114)	49.737 (8.757)	0.02 (0.114)	49.913 (8.788)	0.02 (0.114)	50.005 (8.804)	0.02 (0.113)	50.089 (8.818)
40" (1016mm)		0.15 pcs/ft <sup>2</sup> (bracket) 1.61 pcs/m <sup>2</sup> (bracket)		0.12 pcs/ft <sup>2</sup> (bracket) 1.31 pcs/m <sup>2</sup> (bracket)		0.1 pcs/ft <sup>2</sup> (bracket) 1.11 pcs/m <sup>2</sup> (bracket)		0.09 pcs/ft <sup>2</sup> (bracket) 1.01 pcs/m <sup>2</sup> (bracket)		0.08 pcs/ft <sup>2</sup> (bracket) 0.91 pcs/m <sup>2</sup> (bracket)	
		0.3 ft/ft <sup>2</sup> (rails) 0.98 m/m <sup>2</sup> (rails)									
	4 (10.2)	0.025 (0.14)	40.707 (7.167)	0.024 (0.139)	40.938 (7.207)	0.024 (0.138)	41.092 (7.235)	0.024 (0.138)	41.174 (7.249)	0.024 (0.138)	41.247 (7.262)
	5 (12.7)	0.022 (0.125)	45.605 (8.029)	0.022 (0.124)	45.772 (8.058)	0.022 (0.124)	45.883 (8.078)	0.022 (0.124)	45.942 (8.088)	0.022 (0.123)	45.995 (8.098)
	6 (15.2)	0.02 (0.114)	49.841 (8.775)	0.02 (0.113)	50.054 (8.812)	0.02 (0.113)	50.196 (8.837)	0.02 (0.113)	50.271 (8.85)	0.02 (0.113)	50.338 (8.862)

\*Between insulation thicknesses the values can be interpolated

# R-VALUE TABLES

## Fox HT Metal Studs (Insulated) 5" (127mm)

**Brackets:** Horizontal thermally broken brackets (medium size)

**Base Material:** Metal studs (insulated)

Horizontal Stud to Stud Spacing	Exterior Insulation Thickness* in. (cm)	Vertical Bracket to Bracket Spacing									
		24" Vertical (609.6mm)		30" Vertical (762mm)		36" Vertical (914.4mm)		42" Vertical (1066.8mm)		48" Vertical (1219.2mm)	
		Effective U-Value BTU/h*ft <sup>2</sup> *°F (W/m <sup>2</sup> K)	Effective R-Value h*ft <sup>2</sup> *°F/ BTU (m <sup>2</sup> K/W)	Effective U-Value BTU/h*ft <sup>2</sup> *°F (W/m <sup>2</sup> K)	Effective R-Value h*ft <sup>2</sup> *°F/ BTU (m <sup>2</sup> K/W)	Effective U-Value BTU/h*ft <sup>2</sup> *°F (W/m <sup>2</sup> K)	Effective R-Value h*ft <sup>2</sup> *°F/ BTU (m <sup>2</sup> K/W)	Effective U-Value BTU/h*ft <sup>2</sup> *°F (W/m <sup>2</sup> K)	Effective R-Value h*ft <sup>2</sup> *°F/ BTU (m <sup>2</sup> K/W)	Effective U-Value BTU/h*ft <sup>2</sup> *°F (W/m <sup>2</sup> K)	Effective R-Value h*ft <sup>2</sup> *°F/ BTU (m <sup>2</sup> K/W)
16" (406.4mm)		0.38 pcs/ft <sup>2</sup> (bracket) 4.04 pcs/m <sup>2</sup> (bracket)		0.3 pcs/ft <sup>2</sup> (bracket) 3.28 pcs/m <sup>2</sup> (bracket)		0.26 pcs/ft <sup>2</sup> (bracket) 2.78 pcs/m <sup>2</sup> (bracket)		0.23 pcs/ft <sup>2</sup> (bracket) 2.52 pcs/m <sup>2</sup> (bracket)		0.21 pcs/ft <sup>2</sup> (bracket) 2.28 pcs/m <sup>2</sup> (bracket)	
		0.75 ft/ft <sup>2</sup> (rails) 2.46 m/m <sup>2</sup> (rails)									
	4 (10.2)	0.024 (0.138)	41.176 (7.249)	0.024 (0.136)	41.747 (7.35)	0.024 (0.135)	42.137 (7.418)	0.024 (0.134)	42.342 (7.455)	0.024 (0.134)	42.53 (7.488)
	5 (12.7)	0.021 (0.121)	47.128 (8.297)	0.021 (0.119)	47.561 (8.373)	0.021 (0.119)	47.853 (8.425)	0.021 (0.118)	48.006 (8.452)	0.021 (0.118)	48.146 (8.476)
	6 (15.2)	0.019 (0.111)	51.357 (9.042)	0.019 (0.109)	51.916 (9.14)	0.019 (0.109)	52.294 (9.207)	0.019 (0.108)	52.494 (9.242)	0.019 (0.108)	52.675 (9.274)
24" (609.6mm)		0.25 pcs/ft <sup>2</sup> (bracket) 2.69 pcs/m <sup>2</sup> (bracket)		0.2 pcs/ft <sup>2</sup> (bracket) 2.19 pcs/m <sup>2</sup> (bracket)		0.17 pcs/ft <sup>2</sup> (bracket) 1.85 pcs/m <sup>2</sup> (bracket)		0.16 pcs/ft <sup>2</sup> (bracket) 1.68 pcs/m <sup>2</sup> (bracket)		0.14 pcs/ft <sup>2</sup> (bracket) 1.52 pcs/m <sup>2</sup> (bracket)	
		0.5 ft/ft <sup>2</sup> (rails) 1.64 m/m <sup>2</sup> (rails)									
	4 (10.2)	0.023 (0.132)	42.964 (7.564)	0.023 (0.131)	43.377 (7.637)	0.023 (0.13)	43.657 (7.686)	0.023 (0.13)	43.804 (7.712)	0.023 (0.129)	43.937 (7.735)
	5 (12.7)	0.021 (0.117)	48.44 (8.528)	0.021 (0.117)	48.743 (8.582)	0.02 (0.116)	48.948 (8.618)	0.02 (0.116)	49.055 (8.636)	0.02 (0.116)	49.152 (8.653)
	6 (15.2)	0.019 (0.108)	52.679 (9.274)	0.019 (0.107)	53.07 (9.343)	0.019 (0.107)	53.333 (9.39)	0.019 (0.106)	53.471 (9.414)	0.019 (0.106)	53.596 (9.436)
32" (812.8mm)		0.19 pcs/ft <sup>2</sup> (bracket) 2.02 pcs/m <sup>2</sup> (bracket)		0.15 pcs/ft <sup>2</sup> (bracket) 1.64 pcs/m <sup>2</sup> (bracket)		0.13 pcs/ft <sup>2</sup> (bracket) 1.39 pcs/m <sup>2</sup> (bracket)		0.12 pcs/ft <sup>2</sup> (bracket) 1.26 pcs/m <sup>2</sup> (bracket)		0.11 pcs/ft <sup>2</sup> (bracket) 1.14 pcs/m <sup>2</sup> (bracket)	
		0.38 ft/ft <sup>2</sup> (rails) 1.23 m/m <sup>2</sup> (rails)									
	4 (10.2)	0.023 (0.129)	43.918 (7.732)	0.023 (0.128)	44.241 (7.789)	0.022 (0.128)	44.459 (7.827)	0.022 (0.127)	44.573 (7.847)	0.022 (0.127)	44.677 (7.866)
	5 (12.7)	0.02 (0.116)	49.123 (8.648)	0.02 (0.115)	49.357 (8.69)	0.02 (0.115)	49.514 (8.717)	0.02 (0.115)	49.596 (8.732)	0.02 (0.114)	49.671 (8.745)
	6 (15.2)	0.019 (0.106)	53.366 (9.395)	0.019 (0.106)	53.666 (9.448)	0.019 (0.105)	53.868 (9.484)	0.019 (0.105)	53.973 (9.502)	0.018 (0.105)	54.069 (9.519)
40" (1016mm)		0.15 pcs/ft <sup>2</sup> (bracket) 1.61 pcs/m <sup>2</sup> (bracket)		0.12 pcs/ft <sup>2</sup> (bracket) 1.31 pcs/m <sup>2</sup> (bracket)		0.1 pcs/ft <sup>2</sup> (bracket) 1.11 pcs/m <sup>2</sup> (bracket)		0.09 pcs/ft <sup>2</sup> (bracket) 1.01 pcs/m <sup>2</sup> (bracket)		0.08 pcs/ft <sup>2</sup> (bracket) 0.91 pcs/m <sup>2</sup> (bracket)	
		0.3 ft/ft <sup>2</sup> (rails) 0.98 m/m <sup>2</sup> (rails)									
	4 (10.2)	0.022 (0.128)	44.511 (7.836)	0.022 (0.127)	44.776 (7.883)	0.022 (0.126)	44.954 (7.914)	0.022 (0.126)	45.048 (7.931)	0.022 (0.126)	45.132 (7.946)
	5 (12.7)	0.02 (0.115)	49.543 (8.722)	0.02 (0.114)	49.733 (8.756)	0.02 (0.114)	49.86 (8.778)	0.02 (0.114)	49.927 (8.79)	0.02 (0.114)	49.987 (8.801)
	6 (15.2)	0.019 (0.106)	53.787 (9.469)	0.019 (0.105)	54.03 (9.512)	0.018 (0.105)	54.194 (9.541)	0.018 (0.105)	54.279 (9.556)	0.018 (0.104)	54.356 (9.57)

\*Between insulation thicknesses the values can be interpolated

# R-VALUE TABLES

## Fox HT Metal Studs (Insulated) 6" (152.4mm)

**Brackets:** Horizontal thermally broken brackets (medium size)

**Base Material:** Metal studs (insulated)

Horizontal Stud to Stud Spacing	Exterior Insulation Thickness* in. (cm)	Vertical Bracket to Bracket Spacing									
		24" Vertical (609.6mm)		30" Vertical (762mm)		36" Vertical (914.4mm)		42" Vertical (1066.8mm)		48" Vertical (1219.2mm)	
		Effective U-Value BTU/h*ft <sup>2</sup> *°F (W/m <sup>2</sup> K)	Effective R-Value h*ft <sup>2</sup> *°F/ BTU (m <sup>2</sup> K/W)	Effective U-Value BTU/h*ft <sup>2</sup> *°F (W/m <sup>2</sup> K)	Effective R-Value h*ft <sup>2</sup> *°F/ BTU (m <sup>2</sup> K/W)	Effective U-Value BTU/h*ft <sup>2</sup> *°F (W/m <sup>2</sup> K)	Effective R-Value h*ft <sup>2</sup> *°F/ BTU (m <sup>2</sup> K/W)	Effective U-Value BTU/h*ft <sup>2</sup> *°F (W/m <sup>2</sup> K)	Effective R-Value h*ft <sup>2</sup> *°F/ BTU (m <sup>2</sup> K/W)	Effective U-Value BTU/h*ft <sup>2</sup> *°F (W/m <sup>2</sup> K)	Effective R-Value h*ft <sup>2</sup> *°F/ BTU (m <sup>2</sup> K/W)
16" (406.4mm)		0.38 pcs/ft <sup>2</sup> (bracket) 4.04 pcs/m <sup>2</sup> (bracket)		0.3 pcs/ft <sup>2</sup> (bracket) 3.28 pcs/m <sup>2</sup> (bracket)		0.26 pcs/ft <sup>2</sup> (bracket) 2.78 pcs/m <sup>2</sup> (bracket)		0.23 pcs/ft <sup>2</sup> (bracket) 2.52 pcs/m <sup>2</sup> (bracket)		0.21 pcs/ft <sup>2</sup> (bracket) 2.28 pcs/m <sup>2</sup> (bracket)	
		0.75 ft/ft <sup>2</sup> (rails) 2.46 m/m <sup>2</sup> (rails)									
	4 (10.2)	0.022 (0.128)	44.48 (7.831)	0.022 (0.126)	45.121 (7.944)	0.022 (0.125)	45.558 (8.021)	0.022 (0.124)	45.789 (8.061)	0.022 (0.123)	45.999 (8.098)
	5 (12.7)	0.02 (0.112)	50.723 (8.93)	0.02 (0.111)	51.207 (9.015)	0.019 (0.11)	51.534 (9.073)	0.019 (0.11)	51.706 (9.103)	0.019 (0.11)	51.862 (9.131)
	6 (15.2)	0.018 (0.103)	54.963 (9.677)	0.018 (0.102)	55.593 (9.788)	0.018 (0.101)	56.02 (9.863)	0.018 (0.101)	56.246 (9.902)	0.018 (0.101)	56.45 (9.938)
24" (609.6mm)		0.25 pcs/ft <sup>2</sup> (bracket) 2.69 pcs/m <sup>2</sup> (bracket)		0.2 pcs/ft <sup>2</sup> (bracket) 2.19 pcs/m <sup>2</sup> (bracket)		0.17 pcs/ft <sup>2</sup> (bracket) 1.85 pcs/m <sup>2</sup> (bracket)		0.16 pcs/ft <sup>2</sup> (bracket) 1.68 pcs/m <sup>2</sup> (bracket)		0.14 pcs/ft <sup>2</sup> (bracket) 1.52 pcs/m <sup>2</sup> (bracket)	
		0.5 ft/ft <sup>2</sup> (rails) 1.64 m/m <sup>2</sup> (rails)									
	4 (10.2)	0.021 (0.122)	46.523 (8.191)	0.021 (0.121)	46.988 (8.273)	0.021 (0.12)	47.303 (8.328)	0.021 (0.12)	47.469 (8.357)	0.021 (0.119)	47.619 (8.384)
	5 (12.7)	0.019 (0.109)	52.213 (9.192)	0.019 (0.108)	52.554 (9.252)	0.019 (0.108)	52.783 (9.293)	0.019 (0.107)	52.903 (9.314)	0.019 (0.107)	53.012 (9.333)
	6 (15.2)	0.018 (0.101)	56.461 (9.94)	0.018 (0.1)	56.903 (10.018)	0.017 (0.099)	57.2 10.07	0.017 (0.099)	57.357 (10.098)	0.017 (0.099)	57.498 (10.123)
32" (812.8mm)		0.19 pcs/ft <sup>2</sup> (bracket) 2.02 pcs/m <sup>2</sup> (bracket)		0.15 pcs/ft <sup>2</sup> (bracket) 1.64 pcs/m <sup>2</sup> (bracket)		0.13 pcs/ft <sup>2</sup> (bracket) 1.39 pcs/m <sup>2</sup> (bracket)		0.12 pcs/ft <sup>2</sup> (bracket) 1.26 pcs/m <sup>2</sup> (bracket)		0.11 pcs/ft <sup>2</sup> (bracket) 1.14 pcs/m <sup>2</sup> (bracket)	
		0.38 ft/ft <sup>2</sup> (rails) 1.23 m/m <sup>2</sup> (rails)									
	4 (10.2)	0.021 (0.119)	47.617 (8.383)	0.021 (0.118)	47.981 (8.447)	0.021 (0.118)	48.227 (8.491)	0.021 (0.117)	48.356 (8.513)	0.021 (0.117)	48.473 (8.534)
	5 (12.7)	0.019 (0.107)	52.991 (9.329)	0.019 (0.107)	53.254 (9.376)	0.019 (0.106)	53.431 (9.407)	0.019 (0.106)	53.523 (9.423)	0.019 (0.106)	53.606 (9.438)
	6 (15.2)	0.017 (0.099)	57.241 (10.078)	0.017 (0.099)	57.581 (10.137)	0.017 (0.098)	57.809 (10.178)	0.017 (0.098)	57.929 (10.199)	0.017 (0.098)	58.037 (10.218)
40" (1016mm)		0.15 pcs/ft <sup>2</sup> (bracket) 1.61 pcs/m <sup>2</sup> (bracket)		0.12 pcs/ft <sup>2</sup> (bracket) 1.31 pcs/m <sup>2</sup> (bracket)		0.1 pcs/ft <sup>2</sup> (bracket) 1.11 pcs/m <sup>2</sup> (bracket)		0.09 pcs/ft <sup>2</sup> (bracket) 1.01 pcs/m <sup>2</sup> (bracket)		0.08 pcs/ft <sup>2</sup> (bracket) 0.91 pcs/m <sup>2</sup> (bracket)	
		0.3 ft/ft <sup>2</sup> (rails) 0.98 m/m <sup>2</sup> (rails)									
	4 (10.2)	0.0207 (0.118)	48.2979 (8.503)	0.0206 (0.117)	48.5976 (8.556)	0.0205 (0.116)	48.7992 (8.591)	0.0204 (0.116)	48.9049 (8.61)	0.0204 (0.116)	49.0006 (8.627)
	5 (12.7)	0.0187 (0.106)	53.4698 (9.414)	0.0186 (0.106)	53.6836 (9.451)	0.0186 (0.106)	53.8269 (9.477)	0.0186 (0.105)	53.9018 (9.49)	0.0185 (0.105)	53.9696 (9.502)
	6 (15.2)	0.0173 (0.098)	57.7194 (10.162)	0.0172 (0.098)	57.9955 (10.21)	0.0172 (0.098)	58.1807 (10.243)	0.0172 (0.097)	58.2777 (10.26)	0.0171 (0.097)	58.3654 (10.276)

\*Between insulation thicknesses the values can be interpolated

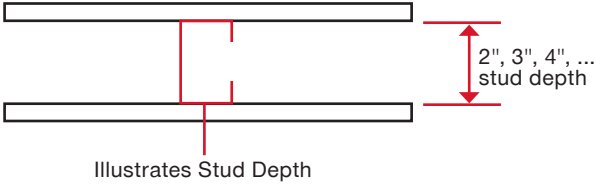


# R-VALUE TABLES

## Fox HT Metal Studs (Not-Insulated) 2" (50.8mm)

**Brackets:** Horizontal thermal broken brackets (medium size)

**Base Material:** Metal studs (Not-Insulated)



Horizontal Stud to Stud Spacing	Exterior Insulation Thickness <sup>1</sup> in. (cm)	Vertical Bracket to Bracket Spacing									
		24" Vertical (609.6mm)		30" Vertical (762mm)		36" Vertical (914.4mm)		42" Vertical (1066.8mm)		48" Vertical (1219.2mm)	
		Effective U-Value BTU/h*ft <sup>2</sup> *°F (W/m <sup>2</sup> K)	Effective R-Value h*ft <sup>2</sup> *°F/ BTU (m <sup>2</sup> K/W)	Effective U-Value BTU/h*ft <sup>2</sup> *°F (W/m <sup>2</sup> K)	Effective R-Value h*ft <sup>2</sup> *°F/ BTU (m <sup>2</sup> K/W)	Effective U-Value BTU/h*ft <sup>2</sup> *°F (W/m <sup>2</sup> K)	Effective R-Value h*ft <sup>2</sup> *°F/ BTU (m <sup>2</sup> K/W)	Effective U-Value BTU/h*ft <sup>2</sup> *°F (W/m <sup>2</sup> K)	Effective R-Value h*ft <sup>2</sup> *°F/ BTU (m <sup>2</sup> K/W)	Effective U-Value BTU/h*ft <sup>2</sup> *°F (W/m <sup>2</sup> K)	Effective R-Value h*ft <sup>2</sup> *°F/ BTU (m <sup>2</sup> K/W)
16" (406.4mm)		0.38 pcs/ft <sup>2</sup> (bracket) 4.04 pcs/m <sup>2</sup> (bracket)		0.3 pcs/ft <sup>2</sup> (bracket) 3.28 pcs/m <sup>2</sup> (bracket)		0.26 pcs/ft <sup>2</sup> (bracket) 2.78 pcs/m <sup>2</sup> (bracket)		0.23 pcs/ft <sup>2</sup> (bracket) 2.52 pcs/m <sup>2</sup> (bracket)		0.21 pcs/ft <sup>2</sup> (bracket) 2.28 pcs/m <sup>2</sup> (bracket)	
		0.75 ft/ft <sup>2</sup> (rails) 2.46 m/m <sup>2</sup> (rails)									
	4 (10.2)	0.051 (0.292)	19.423 (3.419)	0.051 (0.289)	19.625 (3.455)	0.051 (0.287)	19.763 (3.479)	0.05 (0.286)	19.835 (3.492)	0.05 (0.285)	19.901 (3.504)
	5 (12.7)	0.043 (0.245)	23.223 (4.089)	0.043 (0.241)	23.521 (4.141)	0.042 (0.239)	23.723 (4.177)	0.042 (0.238)	23.83 (4.195)	0.042 (0.237)	23.927 (4.213)
	6 (15.2)	0.036 (0.204)	27.84 (4.901)	0.036 (0.202)	28.1 (4.947)	0.035 (0.201)	28.276 (4.978)	0.035 (0.2)	28.369 (4.994)	0.035 (0.2)	28.453 (5.009)
24" (609.6mm)		0.25 pcs/ft <sup>2</sup> (bracket) 2.69 pcs/m <sup>2</sup> (bracket)		0.2 pcs/ft <sup>2</sup> (bracket) 2.19 pcs/m <sup>2</sup> (bracket)		0.17 pcs/ft <sup>2</sup> (bracket) 1.85 pcs/m <sup>2</sup> (bracket)		0.16 pcs/ft <sup>2</sup> (bracket) 1.68 pcs/m <sup>2</sup> (bracket)		0.14 pcs/ft <sup>2</sup> (bracket) 1.52 pcs/m <sup>2</sup> (bracket)	
		0.5 ft/ft <sup>2</sup> (rails) 1.64 m/m <sup>2</sup> (rails)									
	4 (10.2)	0.05 (0.285)	19.952 (3.513)	0.05 (0.283)	20.094 (3.538)	0.05 (0.281)	20.19 (3.555)	0.049 (0.281)	20.24 (3.563)	0.049 (0.28)	20.286 (3.571)
	5 (12.7)	0.042 (0.238)	23.89 (4.206)	0.041 (0.236)	24.099 (4.243)	0.041 (0.234)	24.241 (4.268)	0.041 (0.234)	24.315 (4.281)	0.041 (0.233)	24.382 (4.293)
	6 (15.2)	0.035 (0.2)	28.4 (5)	0.035 (0.199)	28.58 (5.032)	0.035 (0.198)	28.701 (5.053)	0.035 (0.197)	28.764 (5.064)	0.035 (0.197)	28.822 (5.074)
32" (812.8mm)		0.19 pcs/ft <sup>2</sup> (bracket) 2.02 pcs/m <sup>2</sup> (bracket)		0.15 pcs/ft <sup>2</sup> (bracket) 1.64 pcs/m <sup>2</sup> (bracket)		0.13 pcs/ft <sup>2</sup> (bracket) 1.39 pcs/m <sup>2</sup> (bracket)		0.12 pcs/ft <sup>2</sup> (bracket) 1.26 pcs/m <sup>2</sup> (bracket)		0.11 pcs/ft <sup>2</sup> (bracket) 1.14 pcs/m <sup>2</sup> (bracket)	
		0.38 ft/ft <sup>2</sup> (rails) 1.23 m/m <sup>2</sup> (rails)									
	4 (10.2)	0.049 (0.281)	20.228 (3.561)	0.049 (0.279)	20.337 (3.58)	0.049 (0.278)	20.411 (3.593)	0.049 (0.278)	20.449 (3.6)	0.049 (0.277)	20.484 (3.606)
	5 (12.7)	0.041 (0.234)	24.238 (4.267)	0.041 (0.233)	24.399 (4.296)	0.041 (0.232)	24.508 (4.315)	0.041 (0.231)	24.565 (4.325)	0.041 (0.231)	24.616 (4.334)
	6 (15.2)	0.035 (0.198)	28.688 (5.051)	0.035 (0.197)	28.826 (5.075)	0.035 (0.196)	28.918 (5.091)	0.035 (0.196)	28.966 (5.1)	0.034 (0.196)	29.01 (5.107)
40" (1016mm)		0.15 pcs/ft <sup>2</sup> (bracket) 1.61 pcs/m <sup>2</sup> (bracket)		0.12 pcs/ft <sup>2</sup> (bracket) 1.31 pcs/m <sup>2</sup> (bracket)		0.1 pcs/ft <sup>2</sup> (bracket) 1.11 pcs/m <sup>2</sup> (bracket)		0.09 pcs/ft <sup>2</sup> (bracket) 1.01 pcs/m <sup>2</sup> (bracket)		0.08 pcs/ft <sup>2</sup> (bracket) 0.91 pcs/m <sup>2</sup> (bracket)	
		0.3 ft/ft <sup>2</sup> (rails) 0.98 m/m <sup>2</sup> (rails)									
	4 (10.2)	0.049 (0.278)	20.397 (3.591)	0.049 (0.277)	20.486 (3.607)	0.049 (0.276)	20.545 (3.617)	0.049 (0.276)	20.577 (3.623)	0.049 (0.276)	20.605 (3.628)
	5 (12.7)	0.041 (0.232)	24.452 (4.305)	0.041 (0.231)	24.583 (4.328)	0.041 (0.23)	24.671 (4.343)	0.04 (0.23)	24.717 (4.352)	0.04 (0.229)	24.759 (4.359)
	6 (15.2)	0.035 (0.197)	28.864 (5.082)	0.035 (0.196)	28.975 (5.101)	0.034 (0.196)	29.05 (5.114)	0.034 (0.195)	29.089 (5.121)	0.034 (0.195)	29.124 (5.127)

<sup>1</sup>Between insulation thicknesses the values can be interpolated

# R-VALUE TABLES

## Fox HT Metal Studs (Not-Insulated) 3" (76.2mm)

**Brackets:** Horizontal thermal broken brackets (medium size)

**Base Material:** Metal studs (Not-Insulated)

Horizontal Stud to Stud Spacing	Exterior Insulation Thickness <sup>a</sup> in. (cm)	Vertical Bracket to Bracket Spacing									
		24" Vertical (609.6mm)		30" Vertical (762mm)		36" Vertical (914.4mm)		42" Vertical (1066.8mm)		48" Vertical (1219.2mm)	
		Effective U-Value BTU/h*ft <sup>2</sup> *°F (W/m <sup>2</sup> K)	Effective R-Value h*ft <sup>2</sup> *°F/ BTU (m <sup>2</sup> K/W)	Effective U-Value BTU/h*ft <sup>2</sup> *°F (W/m <sup>2</sup> K)	Effective R-Value h*ft <sup>2</sup> *°F/ BTU (m <sup>2</sup> K/W)	Effective U-Value BTU/h*ft <sup>2</sup> *°F (W/m <sup>2</sup> K)	Effective R-Value h*ft <sup>2</sup> *°F/ BTU (m <sup>2</sup> K/W)	Effective U-Value BTU/h*ft <sup>2</sup> *°F (W/m <sup>2</sup> K)	Effective R-Value h*ft <sup>2</sup> *°F/ BTU (m <sup>2</sup> K/W)	Effective U-Value BTU/h*ft <sup>2</sup> *°F (W/m <sup>2</sup> K)	Effective R-Value h*ft <sup>2</sup> *°F/ BTU (m <sup>2</sup> K/W)
16" (406.4mm)		0.38 pcs/ft <sup>2</sup> (bracket) 4.04 pcs/m <sup>2</sup> (bracket)		0.3 pcs/ft <sup>2</sup> (bracket) 3.28 pcs/m <sup>2</sup> (bracket)		0.26 pcs/ft <sup>2</sup> (bracket) 2.78 pcs/m <sup>2</sup> (bracket)		0.23 pcs/ft <sup>2</sup> (bracket) 2.52 pcs/m <sup>2</sup> (bracket)		0.21 pcs/ft <sup>2</sup> (bracket) 2.28 pcs/m <sup>2</sup> (bracket)	
		0.75 ft/ft <sup>2</sup> (rails) 2.46 m/m <sup>2</sup> (rails)									
	4 (10.2)	0.051 (0.289)	19.639 (3.458)	0.05 (0.286)	19.846 (3.494)	0.05 (0.284)	19.987 (3.519)	0.05 (0.283)	20.061 (3.532)	0.05 (0.282)	20.128 (3.544)
	5 (12.7)	0.043 (0.242)	23.437 (4.126)	0.042 (0.239)	23.741 (4.18)	0.042 (0.237)	23.947 (4.216)	0.042 (0.236)	24.056 (4.235)	0.041 (0.235)	24.155 (4.253)
	6 (15.2)	0.036 (0.202)	28.122 (4.951)	0.035 (0.2)	28.377 (4.996)	0.035 (0.199)	28.549 (5.026)	0.035 (0.198)	28.64 (5.042)	0.035 (0.198)	28.722 (5.057)
24" (609.6mm)		0.25 pcs/ft <sup>2</sup> (bracket) 2.69 pcs/m <sup>2</sup> (bracket)		0.2 pcs/ft <sup>2</sup> (bracket) 2.19 pcs/m <sup>2</sup> (bracket)		0.17 pcs/ft <sup>2</sup> (bracket) 1.85 pcs/m <sup>2</sup> (bracket)		0.16 pcs/ft <sup>2</sup> (bracket) 1.68 pcs/m <sup>2</sup> (bracket)		0.14 pcs/ft <sup>2</sup> (bracket) 1.52 pcs/m <sup>2</sup> (bracket)	
		0.5 ft/ft <sup>2</sup> (rails) 1.64 m/m <sup>2</sup> (rails)									
	4 (10.2)	0.05 (0.281)	20.18 (3.553)	0.049 (0.279)	20.326 (3.578)	0.049 (0.278)	20.424 (3.596)	0.049 (0.277)	20.475 (3.605)	0.049 (0.277)	20.522 (3.613)
	5 (12.7)	0.041 (0.236)	24.117 (4.246)	0.041 (0.233)	24.33 (4.283)	0.041 (0.232)	24.474 (4.309)	0.041 (0.231)	24.55 (4.322)	0.041 (0.231)	24.619 (4.334)
	6 (15.2)	0.035 (0.198)	28.674 (5.048)	0.035 (0.197)	28.85 (5.079)	0.035 (0.196)	28.968 (5.1)	0.034 (0.196)	29.03 (5.111)	0.034 (0.195)	29.087 (5.121)
32" (812.8mm)		0.19 pcs/ft <sup>2</sup> (bracket) 2.02 pcs/m <sup>2</sup> (bracket)		0.15 pcs/ft <sup>2</sup> (bracket) 1.64 pcs/m <sup>2</sup> (bracket)		0.13 pcs/ft <sup>2</sup> (bracket) 1.39 pcs/m <sup>2</sup> (bracket)		0.12 pcs/ft <sup>2</sup> (bracket) 1.26 pcs/m <sup>2</sup> (bracket)		0.11 pcs/ft <sup>2</sup> (bracket) 1.14 pcs/m <sup>2</sup> (bracket)	
		0.38 ft/ft <sup>2</sup> (rails) 1.23 m/m <sup>2</sup> (rails)									
	4 (10.2)	0.049 (0.278)	20.462 (3.603)	0.049 (0.276)	20.574 (3.622)	0.048 (0.275)	20.65 (3.636)	0.048 (0.275)	20.689 (3.642)	0.048 (0.274)	20.725 (3.649)
	5 (12.7)	0.041 (0.232)	24.472 (4.308)	0.041 (0.231)	24.636 (4.337)	0.04 (0.23)	24.747 (4.357)	0.04 (0.229)	24.805 (4.367)	0.04 (0.229)	24.857 (4.376)
	6 (15.2)	0.035 (0.196)	28.958 (5.098)	0.034 (0.195)	29.092 (5.122)	0.034 (0.195)	29.183 (5.138)	0.034 (0.194)	29.23 (5.146)	0.034 (0.194)	29.273 (5.154)
40" (1016mm)		0.15 pcs/ft <sup>2</sup> (bracket) 1.61 pcs/m <sup>2</sup> (bracket)		0.12 pcs/ft <sup>2</sup> (bracket) 1.31 pcs/m <sup>2</sup> (bracket)		0.1 pcs/ft <sup>2</sup> (bracket) 1.11 pcs/m <sup>2</sup> (bracket)		0.09 pcs/ft <sup>2</sup> (bracket) 1.01 pcs/m <sup>2</sup> (bracket)		0.08 pcs/ft <sup>2</sup> (bracket) 0.91 pcs/m <sup>2</sup> (bracket)	
		0.3 ft/ft <sup>2</sup> (rails) 0.98 m/m <sup>2</sup> (rails)									
	4 (10.2)	0.048 (0.275)	20.636 (3.633)	0.048 (0.274)	20.727 (3.649)	0.048 (0.273)	20.788 (3.66)	0.048 (0.273)	20.82 (3.665)	0.048 (0.272)	20.848 (3.67)
	5 (12.7)	0.041 (0.23)	24.69 (4.347)	0.04 (0.229)	24.823 (4.37)	0.04 (0.228)	24.913 (4.386)	0.04 (0.228)	24.96 (4.394)	0.04 (0.227)	25.003 (4.402)
	6 (15.2)	0.034 (0.195)	29.131 (5.129)	0.034 (0.194)	29.24 (5.148)	0.034 (0.194)	29.313 (5.161)	0.034 (0.194)	29.351 (5.167)	0.034 (0.193)	29.385 (5.173)

<sup>a</sup>Between insulation thicknesses the values can be interpolated

# R-VALUE TABLES

## Fox HT Metal Studs (Not-Insulated) 4" (101.6mm)

**Brackets:** Horizontal thermal broken brackets (medium size)

**Base Material:** Metal studs (Not-Insulated)

Horizontal Stud to Stud Spacing	Exterior Insulation Thickness <sup>1</sup> in. (cm)	Vertical Bracket to Bracket Spacing									
		24" Vertical (609.6mm)		30" Vertical (762mm)		36" Vertical (914.4mm)		42" Vertical (1066.8mm)		48" Vertical (1219.2mm)	
		Effective U-Value BTU/h*ft <sup>2</sup> *°F (W/m <sup>2</sup> K)	Effective R-Value h*ft <sup>2</sup> *°F/ BTU (m <sup>2</sup> K/W)	Effective U-Value BTU/h*ft <sup>2</sup> *°F (W/m <sup>2</sup> K)	Effective R-Value h*ft <sup>2</sup> *°F/ BTU (m <sup>2</sup> K/W)	Effective U-Value BTU/h*ft <sup>2</sup> *°F (W/m <sup>2</sup> K)	Effective R-Value h*ft <sup>2</sup> *°F/ BTU (m <sup>2</sup> K/W)	Effective U-Value BTU/h*ft <sup>2</sup> *°F (W/m <sup>2</sup> K)	Effective R-Value h*ft <sup>2</sup> *°F/ BTU (m <sup>2</sup> K/W)	Effective U-Value BTU/h*ft <sup>2</sup> *°F (W/m <sup>2</sup> K)	Effective R-Value h*ft <sup>2</sup> *°F/ BTU (m <sup>2</sup> K/W)
16" (406.4mm)		0.38 pcs/ft <sup>2</sup> (bracket) 4.04 pcs/m <sup>2</sup> (bracket)		0.3 pcs/ft <sup>2</sup> (bracket) 3.28 pcs/m <sup>2</sup> (bracket)		0.26 pcs/ft <sup>2</sup> (bracket) 2.78 pcs/m <sup>2</sup> (bracket)		0.23 pcs/ft <sup>2</sup> (bracket) 2.52 pcs/m <sup>2</sup> (bracket)		0.21 pcs/ft <sup>2</sup> (bracket) 2.28 pcs/m <sup>2</sup> (bracket)	
		0.75 ft/ft <sup>2</sup> (rails) 2.46 m/m <sup>2</sup> (rails)									
	4 (10.2)	0.05 (0.286)	19.845 (3.494)	0.05 (0.283)	20.057 (3.531)	0.05 (0.281)	20.2 (3.556)	0.049 (0.28)	20.276 (3.57)	0.049 (0.279)	20.345 (3.582)
	5 (12.7)	0.042 (0.24)	23.682 (4.169)	0.042 (0.237)	23.984 (4.223)	0.041 (0.235)	24.189 (4.259)	0.041 (0.234)	24.298 (4.278)	0.041 (0.233)	24.396 (4.295)
	6 (15.2)	0.035 (0.2)	28.339 (4.989)	0.035 (0.199)	28.598 (5.035)	0.035 (0.197)	28.773 (5.066)	0.035 (0.197)	28.865 (5.082)	0.035 (0.196)	28.948 (5.096)
24" (609.6mm)		0.25 pcs/ft <sup>2</sup> (bracket) 2.69 pcs/m <sup>2</sup> (bracket)		0.2 pcs/ft <sup>2</sup> (bracket) 2.19 pcs/m <sup>2</sup> (bracket)		0.17 pcs/ft <sup>2</sup> (bracket) 1.85 pcs/m <sup>2</sup> (bracket)		0.16 pcs/ft <sup>2</sup> (bracket) 1.68 pcs/m <sup>2</sup> (bracket)		0.14 pcs/ft <sup>2</sup> (bracket) 1.52 pcs/m <sup>2</sup> (bracket)	
		0.5 ft/ft <sup>2</sup> (rails) 1.64 m/m <sup>2</sup> (rails)									
	4 (10.2)	0.049 (0.278)	20.398 (3.591)	0.049 (0.276)	20.547 (3.617)	0.048 (0.275)	20.647 (3.635)	0.048 (0.274)	20.7 (3.644)	0.048 (0.274)	20.747 (3.653)
	5 (12.7)	0.041 (0.233)	24.362 (4.289)	0.041 (0.231)	24.574 (4.326)	0.04 (0.23)	24.717 (4.352)	0.04 (0.229)	24.793 (4.365)	0.04 (0.228)	24.861 (4.377)
	6 (15.2)	0.035 (0.197)	28.899 (5.088)	0.034 (0.195)	29.078 (5.119)	0.034 (0.195)	29.198 (5.141)	0.034 (0.194)	29.262 (5.152)	0.034 (0.194)	29.319 (5.162)
32" (812.8mm)		0.19 pcs/ft <sup>2</sup> (bracket) 2.02 pcs/m <sup>2</sup> (bracket)		0.15 pcs/ft <sup>2</sup> (bracket) 1.64 pcs/m <sup>2</sup> (bracket)		0.13 pcs/ft <sup>2</sup> (bracket) 1.39 pcs/m <sup>2</sup> (bracket)		0.12 pcs/ft <sup>2</sup> (bracket) 1.26 pcs/m <sup>2</sup> (bracket)		0.11 pcs/ft <sup>2</sup> (bracket) 1.14 pcs/m <sup>2</sup> (bracket)	
		0.38 ft/ft <sup>2</sup> (rails) 1.23 m/m <sup>2</sup> (rails)									
	4 (10.2)	0.048 (0.275)	20.687 (3.642)	0.048 (0.273)	20.801 (3.662)	0.048 (0.272)	20.878 (3.676)	0.048 (0.272)	20.918 (3.683)	0.048 (0.271)	20.955 (3.689)
	5 (12.7)	0.04 (0.23)	24.716 (4.351)	0.04 (0.228)	24.88 (4.38)	0.04 (0.227)	24.99 (4.4)	0.04 (0.227)	25.048 (4.41)	0.04 (0.226)	25.1 (4.419)
	6 (15.2)	0.034 (0.195)	29.188 (5.139)	0.034 (0.194)	29.324 (5.163)	0.034 (0.193)	29.416 (5.179)	0.034 (0.193)	29.464 (5.187)	0.034 (0.192)	29.507 (5.195)
40" (1016mm)		0.15 pcs/ft <sup>2</sup> (bracket) 1.61 pcs/m <sup>2</sup> (bracket)		0.12 pcs/ft <sup>2</sup> (bracket) 1.31 pcs/m <sup>2</sup> (bracket)		0.1 pcs/ft <sup>2</sup> (bracket) 1.11 pcs/m <sup>2</sup> (bracket)		0.09 pcs/ft <sup>2</sup> (bracket) 1.01 pcs/m <sup>2</sup> (bracket)		0.08 pcs/ft <sup>2</sup> (bracket) 0.91 pcs/m <sup>2</sup> (bracket)	
		0.3 ft/ft <sup>2</sup> (rails) 0.98 m/m <sup>2</sup> (rails)									
	4 (10.2)	0.048 (0.272)	20.863 (3.673)	0.048 (0.271)	20.956 (3.69)	0.048 (0.27)	21.019 (3.701)	0.048 (0.27)	21.052 (3.706)	0.047 (0.269)	21.081 (3.711)
	5 (12.7)	0.04 (0.228)	24.934 (4.39)	0.04 (0.227)	25.067 (4.413)	0.04 (0.226)	25.157 (4.429)	0.04 (0.225)	25.203 (4.437)	0.04 (0.225)	25.246 (4.445)
	6 (15.2)	0.034 (0.193)	29.364 (5.17)	0.034 (0.193)	29.474 (5.189)	0.034 (0.192)	29.548 (5.202)	0.034 (0.192)	29.587 (5.209)	0.034 (0.192)	29.622 (5.215)

<sup>1</sup>Between insulation thicknesses the values can be interpolated

# R-VALUE TABLES

## Fox HT Metal Studs (Not-Insulated) 5" (127mm)

**Brackets:** Horizontal thermal broken brackets (medium size)

**Base Material:** Metal studs (Not-Insulated)

Horizontal Stud to Stud Spacing	Exterior Insulation Thickness <sup>1</sup> in. (cm)	Vertical Bracket to Bracket Spacing									
		24" Vertical (609.6mm)		30" Vertical (762mm)		36" Vertical (914.4mm)		42" Vertical (1066.8mm)		48" Vertical (1219.2mm)	
		Effective U-Value BTU/h*ft <sup>2</sup> *°F (W/m <sup>2</sup> K)	Effective R-Value h*ft <sup>2</sup> *°F/ BTU (m <sup>2</sup> K/W)	Effective U-Value BTU/h*ft <sup>2</sup> *°F (W/m <sup>2</sup> K)	Effective R-Value h*ft <sup>2</sup> *°F/ BTU (m <sup>2</sup> K/W)	Effective U-Value BTU/h*ft <sup>2</sup> *°F (W/m <sup>2</sup> K)	Effective R-Value h*ft <sup>2</sup> *°F/ BTU (m <sup>2</sup> K/W)	Effective U-Value BTU/h*ft <sup>2</sup> *°F (W/m <sup>2</sup> K)	Effective R-Value h*ft <sup>2</sup> *°F/ BTU (m <sup>2</sup> K/W)	Effective U-Value BTU/h*ft <sup>2</sup> *°F (W/m <sup>2</sup> K)	Effective R-Value h*ft <sup>2</sup> *°F/ BTU (m <sup>2</sup> K/W)
16" (406.4mm)		0.38 pcs/ft <sup>2</sup> (bracket) 4.04 pcs/m <sup>2</sup> (bracket)		0.3 pcs/ft <sup>2</sup> (bracket) 3.28 pcs/m <sup>2</sup> (bracket)		0.26 pcs/ft <sup>2</sup> (bracket) 2.78 pcs/m <sup>2</sup> (bracket)		0.23 pcs/ft <sup>2</sup> (bracket) 2.52 pcs/m <sup>2</sup> (bracket)		0.21 pcs/ft <sup>2</sup> (bracket) 2.28 pcs/m <sup>2</sup> (bracket)	
		0.75 ft/ft <sup>2</sup> (rails) 2.46 m/m <sup>2</sup> (rails)									
	4 (10.2)	0.05 (0.283)	20.056 (3.531)	0.049 (0.28)	20.272 (3.569)	0.049 (0.278)	20.419 (3.595)	0.049 (0.277)	20.496 (3.608)	0.049 (0.276)	20.566 (3.621)
	5 (12.7)	0.042 (0.237)	23.932 (4.213)	0.041 (0.234)	24.233 (4.266)	0.041 (0.232)	24.437 (4.302)	0.041 (0.231)	24.545 (4.321)	0.041 (0.23)	24.643 (4.339)
	6 (15.2)	0.035 (0.199)	28.561 (5.028)	0.035 (0.197)	28.824 (5.075)	0.034 (0.196)	29.001 (5.106)	0.034 (0.195)	29.095 (5.122)	0.034 (0.195)	29.179 (5.137)
24" (609.6mm)		0.25 pcs/ft <sup>2</sup> (bracket) 2.69 pcs/m <sup>2</sup> (bracket)		0.2 pcs/ft <sup>2</sup> (bracket) 2.19 pcs/m <sup>2</sup> (bracket)		0.17 pcs/ft <sup>2</sup> (bracket) 1.85 pcs/m <sup>2</sup> (bracket)		0.16 pcs/ft <sup>2</sup> (bracket) 1.68 pcs/m <sup>2</sup> (bracket)		0.14 pcs/ft <sup>2</sup> (bracket) 1.52 pcs/m <sup>2</sup> (bracket)	
		0.5 ft/ft <sup>2</sup> (rails) 1.64 m/m <sup>2</sup> (rails)									
	4 (10.2)	0.048 (0.275)	20.621 (3.63)	0.048 (0.273)	20.773 (3.657)	0.048 (0.272)	20.875 (3.675)	0.048 (0.271)	20.929 (3.685)	0.048 (0.271)	20.978 (3.693)
	5 (12.7)	0.041 (0.231)	24.612 (4.333)	0.04 (0.229)	24.823 (4.37)	0.04 (0.228)	24.966 (4.395)	0.04 (0.227)	25.041 (4.407)	0.04 (0.226)	25.109 (4.421)
	6 (15.2)	0.034 (0.195)	29.13 (5.128)	0.034 (0.194)	29.312 (5.16)	0.034 (0.193)	29.434 (5.182)	0.034 (0.193)	29.498 (5.193)	0.034 (0.192)	29.556 (5.203)
32" (812.8mm)		0.19 pcs/ft <sup>2</sup> (bracket) 2.02 pcs/m <sup>2</sup> (bracket)		0.15 pcs/ft <sup>2</sup> (bracket) 1.64 pcs/m <sup>2</sup> (bracket)		0.13 pcs/ft <sup>2</sup> (bracket) 1.39 pcs/m <sup>2</sup> (bracket)		0.12 pcs/ft <sup>2</sup> (bracket) 1.26 pcs/m <sup>2</sup> (bracket)		0.11 pcs/ft <sup>2</sup> (bracket) 1.14 pcs/m <sup>2</sup> (bracket)	
		0.38 ft/ft <sup>2</sup> (rails) 1.23 m/m <sup>2</sup> (rails)									
	4 (10.2)	0.048 (0.272)	20.916 (3.682)	0.048 (0.27)	21.033 (3.703)	0.047 (0.269)	21.111 (3.717)	0.047 (0.269)	21.152 (3.724)	0.047 (0.268)	21.19 (3.731)
	5 (12.7)	0.04 (0.228)	24.967 (4.396)	0.04 (0.226)	25.13 (4.424)	0.04 (0.225)	25.239 (4.444)	0.04 (0.225)	25.297 (4.454)	0.039 (0.224)	25.349 (4.463)
	6 (15.2)	0.034 (0.193)	29.423 (5.18)	0.034 (0.192)	29.562 (5.205)	0.034 (0.192)	29.655 (5.221)	0.034 (0.191)	29.704 (5.23)	0.034 (0.191)	29.748 (5.237)
40" (1016mm)		0.15 pcs/ft <sup>2</sup> (bracket) 1.61 pcs/m <sup>2</sup> (bracket)		0.12 pcs/ft <sup>2</sup> (bracket) 1.31 pcs/m <sup>2</sup> (bracket)		0.1 pcs/ft <sup>2</sup> (bracket) 1.11 pcs/m <sup>2</sup> (bracket)		0.09 pcs/ft <sup>2</sup> (bracket) 1.01 pcs/m <sup>2</sup> (bracket)		0.08 pcs/ft <sup>2</sup> (bracket) 0.91 pcs/m <sup>2</sup> (bracket)	
		0.3 ft/ft <sup>2</sup> (rails) 0.98 m/m <sup>2</sup> (rails)									
	4 (10.2)	0.047 (0.269)	21.096 (3.714)	0.047 (0.268)	21.192 (3.731)	0.047 (0.267)	21.255 (3.742)	0.047 (0.267)	21.289 (3.748)	0.047 (0.266)	21.319 (3.753)
	5 (12.7)	0.04 (0.226)	25.185 (4.434)	0.039 (0.224)	25.317 (4.457)	0.039 (0.224)	25.406 (4.473)	0.039 (0.223)	25.452 (4.481)	0.039 (0.223)	25.495 (4.488)
	6 (15.2)	0.034 (0.192)	29.602 (5.212)	0.034 (0.191)	29.714 (5.231)	0.034 (0.191)	29.789 (5.245)	0.034 (0.19)	29.829 (5.252)	0.033 (0.19)	29.864 (5.258)

<sup>1</sup>Between insulation thicknesses the values can be interpolated

# R-VALUE TABLES

## Fox HT Metal Studs (Not-Insulated) 6" (152.4mm)

**Brackets:** Horizontal thermal broken brackets (medium size)

**Base Material:** Metal studs (Not-Insulated)

Horizontal Stud to Stud Spacing	Exterior Insulation Thickness <sup>1</sup> in. (cm)	Vertical Bracket to Bracket Spacing									
		24" Vertical (609.6mm)		30" Vertical (762mm)		36" Vertical (914.4mm)		42" Vertical (1066.8mm)		48" Vertical (1219.2mm)	
		Effective U-Value BTU/h*ft <sup>2</sup> *°F (W/m <sup>2</sup> K)	Effective R-Value h*ft <sup>2</sup> *°F/ BTU (m <sup>2</sup> K/W)	Effective U-Value BTU/h*ft <sup>2</sup> *°F (W/m <sup>2</sup> K)	Effective R-Value h*ft <sup>2</sup> *°F/ BTU (m <sup>2</sup> K/W)	Effective U-Value BTU/h*ft <sup>2</sup> *°F (W/m <sup>2</sup> K)	Effective R-Value h*ft <sup>2</sup> *°F/ BTU (m <sup>2</sup> K/W)	Effective U-Value BTU/h*ft <sup>2</sup> *°F (W/m <sup>2</sup> K)	Effective R-Value h*ft <sup>2</sup> *°F/ BTU (m <sup>2</sup> K/W)	Effective U-Value BTU/h*ft <sup>2</sup> *°F (W/m <sup>2</sup> K)	Effective R-Value h*ft <sup>2</sup> *°F/ BTU (m <sup>2</sup> K/W)
16" (406.4mm)		0.38 pcs/ft <sup>2</sup> (bracket) 4.04 pcs/m <sup>2</sup> (bracket)		0.3 pcs/ft <sup>2</sup> (bracket) 3.28 pcs/m <sup>2</sup> (bracket)		0.26 pcs/ft <sup>2</sup> (bracket) 2.78 pcs/m <sup>2</sup> (bracket)		0.23 pcs/ft <sup>2</sup> (bracket) 2.52 pcs/m <sup>2</sup> (bracket)		0.21 pcs/ft <sup>2</sup> (bracket) 2.28 pcs/m <sup>2</sup> (bracket)	
		0.75 ft/ft <sup>2</sup> (rails) 2.46 m/m <sup>2</sup> (rails)									
	4 (10.2)	0.049 (0.28)	20.261 (3.567)	0.049 (0.277)	20.482 (3.606)	0.048 (0.275)	20.632 (3.632)	0.048 (0.274)	20.711 (3.646)	0.048 (0.273)	20.782 (3.659)
	5 (12.7)	0.041 (0.235)	24.137 (4.249)	0.041 (0.232)	24.443 (4.303)	0.041 (0.23)	24.651 (4.34)	0.04 (0.229)	24.761 (4.359)	0.04 (0.228)	24.861 (4.377)
6 (15.2)	0.035 (0.197)	28.777 (5.066)	0.034 (0.196)	29.044 (5.113)	0.034 (0.194)	29.224 (5.145)	0.034 (0.194)	29.319 (5.162)	0.034 (0.193)	29.405 (5.177)	
24" (609.6mm)		0.25 pcs/ft <sup>2</sup> (bracket) 2.69 pcs/m <sup>2</sup> (bracket)		0.2 pcs/ft <sup>2</sup> (bracket) 2.19 pcs/m <sup>2</sup> (bracket)		0.17 pcs/ft <sup>2</sup> (bracket) 1.85 pcs/m <sup>2</sup> (bracket)		0.16 pcs/ft <sup>2</sup> (bracket) 1.68 pcs/m <sup>2</sup> (bracket)		0.14 pcs/ft <sup>2</sup> (bracket) 1.52 pcs/m <sup>2</sup> (bracket)	
		0.5 ft/ft <sup>2</sup> (rails) 1.64 m/m <sup>2</sup> (rails)									
	4 (10.2)	0.048 (0.273)	20.838 (3.669)	0.048 (0.271)	20.993 (3.696)	0.047 (0.269)	21.098 (3.714)	0.047 (0.269)	21.153 (3.724)	0.047 (0.268)	21.203 (3.733)
	5 (12.7)	0.04 (0.229)	24.829 (4.371)	0.04 (0.227)	25.044 (4.409)	0.04 (0.225)	25.19 (4.435)	0.04 (0.225)	25.266 (4.448)	0.039 (0.224)	25.335 (4.46)
6 (15.2)	0.034 (0.193)	29.355 (5.168)	0.034 (0.192)	29.539 (5.201)	0.034 (0.191)	29.664 (5.222)	0.034 (0.191)	29.729 (5.234)	0.034 (0.191)	29.788 (5.244)	
32" (812.8mm)		0.19 pcs/ft <sup>2</sup> (bracket) 2.02 pcs/m <sup>2</sup> (bracket)		0.15 pcs/ft <sup>2</sup> (bracket) 1.64 pcs/m <sup>2</sup> (bracket)		0.13 pcs/ft <sup>2</sup> (bracket) 1.39 pcs/m <sup>2</sup> (bracket)		0.12 pcs/ft <sup>2</sup> (bracket) 1.26 pcs/m <sup>2</sup> (bracket)		0.11 pcs/ft <sup>2</sup> (bracket) 1.14 pcs/m <sup>2</sup> (bracket)	
		0.38 ft/ft <sup>2</sup> (rails) 1.23 m/m <sup>2</sup> (rails)									
	4 (10.2)	0.047 (0.269)	21.139 (3.722)	0.047 (0.267)	21.259 (3.743)	0.047 (0.266)	21.339 (3.757)	0.047 (0.266)	21.381 (3.764)	0.047 (0.265)	21.419 (3.771)
	5 (12.7)	0.04 (0.225)	25.19 (4.435)	0.039 (0.224)	25.356 (4.464)	0.039 (0.223)	25.468 (4.484)	0.039 (0.223)	25.526 (4.494)	0.039 (0.222)	25.579 (4.503)
6 (15.2)	0.034 (0.192)	29.653 (5.221)	0.034 (0.191)	29.794 (5.245)	0.033 (0.19)	29.888 (5.262)	0.033 (0.19)	29.938 (5.271)	0.033 (0.189)	29.983 (5.279)	
40" (1016mm)		0.15 pcs/ft <sup>2</sup> (bracket) 1.61 pcs/m <sup>2</sup> (bracket)		0.12 pcs/ft <sup>2</sup> (bracket) 1.31 pcs/m <sup>2</sup> (bracket)		0.1 pcs/ft <sup>2</sup> (bracket) 1.11 pcs/m <sup>2</sup> (bracket)		0.09 pcs/ft <sup>2</sup> (bracket) 1.01 pcs/m <sup>2</sup> (bracket)		0.08 pcs/ft <sup>2</sup> (bracket) 0.91 pcs/m <sup>2</sup> (bracket)	
		0.3 ft/ft <sup>2</sup> (rails) 0.98 m/m <sup>2</sup> (rails)									
	4 (10.2)	0.047 (0.266)	21.324 (3.754)	0.047 (0.265)	21.421 (3.771)	0.047 (0.264)	21.486 (3.783)	0.046 (0.264)	21.521 (3.789)	0.046 (0.264)	21.551 (3.794)
	5 (12.7)	0.039 (0.224)	25.412 (4.474)	0.039 (0.222)	25.547 (4.498)	0.039 (0.222)	25.637 (4.514)	0.039 (0.221)	25.685 (4.522)	0.039 (0.221)	25.728 (4.53)
6 (15.2)	0.034 (0.19)	29.834 (5.252)	0.033 (0.19)	29.948 (5.273)	0.033 (0.189)	30.025 (5.286)	0.033 (0.189)	30.065 (5.293)	0.033 (0.189)	30.101 (5.299)	

<sup>1</sup>Between insulation thicknesses the values can be interpolated

# R-VALUE TABLES

## Fox HI CMU 12" (305mm) Hollow Bricks

**Brackets:** Horizontal aluminum brackets + isolator

**Base Material:** CMU 12" (305mm) hollow bricks

Horizontal Stud to Stud Spacing	Exterior Insulation Thickness <sup>a</sup> in. (cm)	Vertical Bracket to Bracket Spacing									
		24" Vertical (609.6mm)		30" Vertical (762mm)		36" Vertical (914.4mm)		42" Vertical (1066.8mm)		48" Vertical (1219.2mm)	
		Effective U-Value BTU/h*ft <sup>2</sup> *°F (W/m <sup>2</sup> K)	Effective R-Value h*ft <sup>2</sup> *°F/ BTU (m <sup>2</sup> K/W)	Effective U-Value BTU/h*ft <sup>2</sup> *°F (W/m <sup>2</sup> K)	Effective R-Value h*ft <sup>2</sup> *°F/ BTU (m <sup>2</sup> K/W)	Effective U-Value BTU/h*ft <sup>2</sup> *°F (W/m <sup>2</sup> K)	Effective R-Value h*ft <sup>2</sup> *°F/ BTU (m <sup>2</sup> K/W)	Effective U-Value BTU/h*ft <sup>2</sup> *°F (W/m <sup>2</sup> K)	Effective R-Value h*ft <sup>2</sup> *°F/ BTU (m <sup>2</sup> K/W)	Effective U-Value BTU/h*ft <sup>2</sup> *°F (W/m <sup>2</sup> K)	Effective R-Value h*ft <sup>2</sup> *°F/ BTU (m <sup>2</sup> K/W)
16" (406.4mm)		0.38 pcs/ft <sup>2</sup> (bracket) 4.04 pcs/m <sup>2</sup> (bracket)		0.3 pcs/ft <sup>2</sup> (bracket) 3.28 pcs/m <sup>2</sup> (bracket)		0.26 pcs/ft <sup>2</sup> (bracket) 2.78 pcs/m <sup>2</sup> (bracket)		0.23 pcs/ft <sup>2</sup> (bracket) 2.52 pcs/m <sup>2</sup> (bracket)		0.21 pcs/ft <sup>2</sup> (bracket) 2.28 pcs/m <sup>2</sup> (bracket)	
		0.75 ft/ft <sup>2</sup> (rails) 2.46 m/m <sup>2</sup> (rails)									
	4 (10.2)	0.054 (0.304)	18.658 (3.285)	0.05 (0.283)	20.105 (3.54)	0.047 (0.268)	21.199 (3.732)	0.046 (0.26)	21.818 (3.841)	0.045 (0.253)	22.407 (3.945)
	5 (12.7)	0.05 (0.283)	20.037 (3.528)	0.046 (0.261)	21.772 (3.833)	0.043 (0.246)	23.104 (4.068)	0.042 (0.238)	23.864 (4.201)	0.041 (0.231)	24.594 (4.33)
	6 (15.2)	0.047 (0.268)	21.171 (3.727)	0.043 (0.245)	23.182 (4.081)	0.04 (0.23)	24.746 (4.357)	0.039 (0.221)	25.648 (4.516)	0.038 (0.214)	26.519 (4.669)
24" (609.6mm)		0.25 pcs/ft <sup>2</sup> (bracket) 2.69 pcs/m <sup>2</sup> (bracket)		0.2 pcs/ft <sup>2</sup> (bracket) 2.19 pcs/m <sup>2</sup> (bracket)		0.17 pcs/ft <sup>2</sup> (bracket) 1.85 pcs/m <sup>2</sup> (bracket)		0.16 pcs/ft <sup>2</sup> (bracket) 1.68 pcs/m <sup>2</sup> (bracket)		0.14 pcs/ft <sup>2</sup> (bracket) 1.52 pcs/m <sup>2</sup> (bracket)	
		0.5 ft/ft <sup>2</sup> (rails) 1.64 m/m <sup>2</sup> (rails)									
	4 (10.2)	0.046 (0.263)	21.594 (3.802)	0.044 (0.248)	22.864 (4.025)	0.042 (0.239)	23.795 (4.189)	0.041 (0.234)	24.311 (4.28)	0.04 (0.229)	24.796 (4.365)
	5 (12.7)	0.043 (0.242)	23.478 (4.133)	0.04 (0.227)	25.036 (4.408)	0.038 (0.217)	26.193 (4.612)	0.037 (0.212)	26.84 (4.725)	0.036 (0.207)	27.451 (4.833)
	6 (15.2)	0.04 (0.226)	25.111 (4.421)	0.037 (0.211)	26.961 (4.747)	0.035 (0.2)	28.35 (4.991)	0.034 (0.195)	29.132 (5.129)	0.033 (0.19)	29.876 (5.26)
32" (812.8mm)		0.19 pcs/ft <sup>2</sup> (bracket) 2.02 pcs/m <sup>2</sup> (bracket)		0.15 pcs/ft <sup>2</sup> (bracket) 1.64 pcs/m <sup>2</sup> (bracket)		0.13 pcs/ft <sup>2</sup> (bracket) 1.39 pcs/m <sup>2</sup> (bracket)		0.12 pcs/ft <sup>2</sup> (bracket) 1.26 pcs/m <sup>2</sup> (bracket)		0.11 pcs/ft <sup>2</sup> (bracket) 1.14 pcs/m <sup>2</sup> (bracket)	
		0.38 ft/ft <sup>2</sup> (rails) 1.23 m/m <sup>2</sup> (rails)									
	4 (10.2)	0.043 (0.242)	23.439 (4.127)	0.041 (0.231)	24.549 (4.322)	0.039 (0.224)	25.347 (4.463)	0.039 (0.22)	25.785 (4.54)	0.038 (0.217)	26.192 (4.611)
	5 (12.7)	0.039 (0.221)	25.682 (4.522)	0.037 (0.21)	27.065 (4.765)	0.036 (0.202)	28.07 (4.942)	0.035 (0.198)	28.625 (5.04)	0.034 (0.195)	29.143 (5.131)
	6 (15.2)	0.036 (0.205)	27.688 (4.875)	0.034 (0.194)	29.353 (5.168)	0.033 (0.186)	30.576 (5.383)	0.032 (0.182)	31.255 (5.503)	0.031 (0.178)	31.894 (5.615)
40" (1016mm)		0.15 pcs/ft <sup>2</sup> (bracket) 1.61 pcs/m <sup>2</sup> (bracket)		0.12 pcs/ft <sup>2</sup> (bracket) 1.31 pcs/m <sup>2</sup> (bracket)		0.1 pcs/ft <sup>2</sup> (bracket) 1.11 pcs/m <sup>2</sup> (bracket)		0.09 pcs/ft <sup>2</sup> (bracket) 1.01 pcs/m <sup>2</sup> (bracket)		0.08 pcs/ft <sup>2</sup> (bracket) 0.91 pcs/m <sup>2</sup> (bracket)	
		0.3 ft/ft <sup>2</sup> (rails) 0.98 m/m <sup>2</sup> (rails)									
	4 (10.2)	0.04 (0.23)	24.705 (4.349)	0.039 (0.221)	25.684 (4.522)	0.038 (0.215)	26.38 (4.644)	0.037 (0.212)	26.757 (4.711)	0.037 (0.21)	27.107 (4.772)
	5 (12.7)	0.037 (0.209)	27.216 (4.792)	0.035 (0.2)	28.448 (5.008)	0.034 (0.194)	29.331 (5.164)	0.034 (0.191)	29.814 (5.249)	0.033 (0.188)	30.263 (5.328)
	6 (15.2)	0.034 (0.193)	29.504 (5.194)	0.032 (0.183)	31.003 (5.458)	0.031 (0.177)	32.088 (5.649)	0.031 (0.174)	32.685 (5.754)	0.03 (0.171)	33.241 (5.852)

<sup>a</sup>Between insulation thicknesses the values can be interpolated

# R-VALUE TABLES

## Fox HI CMU 12" (305mm) Grouted Blocks

**Brackets:** Horizontal aluminum brackets + isolator

**Base Material:** CMU 12" (305mm) grouted blocks

Horizontal Stud to Stud Spacing	Exterior Insulation Thickness <sup>a</sup> in. (cm)	Vertical Bracket to Bracket Spacing									
		24" Vertical (609.6mm)		30" Vertical (762mm)		36" Vertical (914.4mm)		42" Vertical (1066.8mm)		48" Vertical (1219.2mm)	
		Effective U-Value BTU/h·ft <sup>2</sup> ·°F (W/m <sup>2</sup> K)	Effective R-Value h·ft <sup>2</sup> ·°F/ BTU (m <sup>2</sup> K/W)	Effective U-Value BTU/h·ft <sup>2</sup> ·°F (W/m <sup>2</sup> K)	Effective R-Value h·ft <sup>2</sup> ·°F/ BTU (m <sup>2</sup> K/W)	Effective U-Value BTU/h·ft <sup>2</sup> ·°F (W/m <sup>2</sup> K)	Effective R-Value h·ft <sup>2</sup> ·°F/ BTU (m <sup>2</sup> K/W)	Effective U-Value BTU/h·ft <sup>2</sup> ·°F (W/m <sup>2</sup> K)	Effective R-Value h·ft <sup>2</sup> ·°F/ BTU (m <sup>2</sup> K/W)	Effective U-Value BTU/h·ft <sup>2</sup> ·°F (W/m <sup>2</sup> K)	Effective R-Value h·ft <sup>2</sup> ·°F/ BTU (m <sup>2</sup> K/W)
16" (406.4mm)		0.38 pcs/ft <sup>2</sup> (bracket) 4.04 pcs/m <sup>2</sup> (bracket)		0.3 pcs/ft <sup>2</sup> (bracket) 3.28 pcs/m <sup>2</sup> (bracket)		0.26 pcs/ft <sup>2</sup> (bracket) 2.78 pcs/m <sup>2</sup> (bracket)		0.23 pcs/ft <sup>2</sup> (bracket) 2.52 pcs/m <sup>2</sup> (bracket)		0.21 pcs/ft <sup>2</sup> (bracket) 2.28 pcs/m <sup>2</sup> (bracket)	
		0.75 ft/ft <sup>2</sup> (rails) 2.46 m/m <sup>2</sup> (rails)									
	4 (10.2)	0.054 (0.306)	18.558 (3.267)	0.05 (0.284)	19.989 (3.519)	0.047 (0.27)	21.07 (3.71)	0.046 (0.262)	21.681 (3.817)	0.045 (0.255)	22.264 (3.92)
	5 (12.7)	0.05 (0.285)	19.947 (3.512)	0.046 (0.262)	21.667 (3.815)	0.044 (0.247)	22.985 (4.047)	0.042 (0.239)	23.737 (4.179)	0.041 (0.232)	24.459 (4.306)
	6 (15.2)	0.047 (0.269)	21.091 (3.713)	0.043 (0.246)	23.086 (4.065)	0.041 (0.231)	24.637 (4.338)	0.039 (0.222)	25.531 (4.495)	0.038 (0.215)	26.394 (4.647)
24" (609.6mm)		0.25 pcs/ft <sup>2</sup> (bracket) 2.69 pcs/m <sup>2</sup> (bracket)		0.2 pcs/ft <sup>2</sup> (bracket) 2.19 pcs/m <sup>2</sup> (bracket)		0.17 pcs/ft <sup>2</sup> (bracket) 1.85 pcs/m <sup>2</sup> (bracket)		0.16 pcs/ft <sup>2</sup> (bracket) 1.68 pcs/m <sup>2</sup> (bracket)		0.14 pcs/ft <sup>2</sup> (bracket) 1.52 pcs/m <sup>2</sup> (bracket)	
		0.5 ft/ft <sup>2</sup> (rails) 1.64 m/m <sup>2</sup> (rails)									
	4 (10.2)	0.047 (0.265)	21.461 (3.778)	0.044 (0.25)	22.714 (3.999)	0.042 (0.24)	23.633 (4.161)	0.041 (0.235)	24.142 (4.25)	0.041 (0.231)	24.62 (4.334)
	5 (12.7)	0.043 (0.243)	23.355 (4.112)	0.04 (0.228)	24.897 (4.383)	0.038 (0.218)	26.041 (4.585)	0.037 (0.213)	26.68 (4.697)	0.037 (0.208)	27.283 (4.803)
	6 (15.2)	0.04 (0.227)	24.999 (4.401)	0.037 (0.212)	26.831 (4.724)	0.035 (0.201)	28.207 (4.966)	0.035 (0.196)	28.981 (5.102)	0.034 (0.191)	29.717 (5.232)
32" (812.8mm)		0.19 pcs/ft <sup>2</sup> (bracket) 2.02 pcs/m <sup>2</sup> (bracket)		0.15 pcs/ft <sup>2</sup> (bracket) 1.64 pcs/m <sup>2</sup> (bracket)		0.13 pcs/ft <sup>2</sup> (bracket) 1.39 pcs/m <sup>2</sup> (bracket)		0.12 pcs/ft <sup>2</sup> (bracket) 1.26 pcs/m <sup>2</sup> (bracket)		0.11 pcs/ft <sup>2</sup> (bracket) 1.14 pcs/m <sup>2</sup> (bracket)	
		0.38 ft/ft <sup>2</sup> (rails) 1.23 m/m <sup>2</sup> (rails)									
	4 (10.2)	0.043 (0.244)	23.281 (4.099)	0.041 (0.233)	24.376 (4.292)	0.04 (0.226)	25.163 (4.43)	0.039 (0.222)	25.594 (4.506)	0.038 (0.219)	25.995 (4.577)
	5 (12.7)	0.039 (0.222)	25.536 (4.496)	0.037 (0.211)	26.902 (4.736)	0.036 (0.204)	27.895 (4.911)	0.035 (0.2)	28.442 (5.007)	0.035 (0.196)	28.954 (5.098)
	6 (15.2)	0.036 (0.206)	27.552 (4.851)	0.034 (0.195)	29.2 (5.141)	0.033 (0.187)	30.41 (5.354)	0.032 (0.183)	31.082 (5.472)	0.032 (0.179)	31.713 (5.583)
40" (1016mm)		0.15 pcs/ft <sup>2</sup> (bracket) 1.61 pcs/m <sup>2</sup> (bracket)		0.12 pcs/ft <sup>2</sup> (bracket) 1.31 pcs/m <sup>2</sup> (bracket)		0.1 pcs/ft <sup>2</sup> (bracket) 1.11 pcs/m <sup>2</sup> (bracket)		0.09 pcs/ft <sup>2</sup> (bracket) 1.01 pcs/m <sup>2</sup> (bracket)		0.08 pcs/ft <sup>2</sup> (bracket) 0.91 pcs/m <sup>2</sup> (bracket)	
		0.3 ft/ft <sup>2</sup> (rails) 0.98 m/m <sup>2</sup> (rails)									
	4 (10.2)	0.041 (0.232)	24.53 (4.319)	0.039 (0.223)	25.495 (4.489)	0.038 (0.217)	26.18 (4.609)	0.038 (0.214)	26.552 (4.675)	0.037 (0.211)	26.897 (4.735)
	5 (12.7)	0.037 (0.21)	27.051 (4.763)	0.035 (0.201)	28.268 (4.977)	0.034 (0.195)	29.14 (5.13)	0.034 (0.192)	29.616 (5.214)	0.033 (0.189)	30.059 (5.292)
	6 (15.2)	0.034 (0.194)	29.349 (5.167)	0.032 (0.184)	30.833 (5.428)	0.031 (0.178)	31.905 (5.617)	0.031 (0.175)	32.495 (5.721)	0.03 (0.172)	33.045 (5.818)

<sup>a</sup>Between insulation thicknesses the values can be interpolated

# R-VALUE TABLES

## Fox HI CMU 12" (305mm) Grouted Polyurethane Foamed in Place

**Brackets:** Horizontal aluminum brackets + isolator

**Base Material:** CMU 12" (305mm) grouted polyurethane foamed in place

Horizontal Stud to Stud Spacing	Exterior Insulation Thickness* in. (cm)	Vertical Bracket to Bracket Spacing									
		24" Vertical (609.6mm)		30" Vertical (762mm)		36" Vertical (914.4mm)		42" Vertical (1066.8mm)		48" Vertical (1219.2mm)	
		Effective U-Value BTU/h*ft <sup>2</sup> *°F (W/m <sup>2</sup> K)	Effective R-Value h*ft <sup>2</sup> *°F/ BTU (m <sup>2</sup> K/W)	Effective U-Value BTU/h*ft <sup>2</sup> *°F (W/m <sup>2</sup> K)	Effective R-Value h*ft <sup>2</sup> *°F/ BTU (m <sup>2</sup> K/W)	Effective U-Value BTU/h*ft <sup>2</sup> *°F (W/m <sup>2</sup> K)	Effective R-Value h*ft <sup>2</sup> *°F/ BTU (m <sup>2</sup> K/W)	Effective U-Value BTU/h*ft <sup>2</sup> *°F (W/m <sup>2</sup> K)	Effective R-Value h*ft <sup>2</sup> *°F/ BTU (m <sup>2</sup> K/W)	Effective U-Value BTU/h*ft <sup>2</sup> *°F (W/m <sup>2</sup> K)	Effective R-Value h*ft <sup>2</sup> *°F/ BTU (m <sup>2</sup> K/W)
16" (406.4mm)		0.38 pcs/ft <sup>2</sup> (bracket) 4.04 pcs/m <sup>2</sup> (bracket)		0.3 pcs/ft <sup>2</sup> (bracket) 3.28 pcs/m <sup>2</sup> (bracket)		0.26 pcs/ft <sup>2</sup> (bracket) 2.78 pcs/m <sup>2</sup> (bracket)		0.23 pcs/ft <sup>2</sup> (bracket) 2.52 pcs/m <sup>2</sup> (bracket)		0.21 pcs/ft <sup>2</sup> (bracket) 2.28 pcs/m <sup>2</sup> (bracket)	
		0.75 ft/ft <sup>2</sup> (rails) 2.46 m/m <sup>2</sup> (rails)									
	4 (10.2)	0.037 (0.213)	26.724 (4.705)	0.034 (0.191)	29.795 (5.246)	0.031 (0.176)	32.263 (5.68)	0.03 (0.168)	33.719 (5.936)	0.028 (0.162)	35.148 (6.188)
	5 (12.7)	0.037 (0.208)	27.372 (4.819)	0.033 (0.185)	30.717 (5.408)	0.03 (0.17)	33.435 (5.886)	0.029 (0.162)	35.052 (6.171)	0.027 (0.155)	36.649 (6.452)
	6 (15.2)	0.036 (0.204)	27.797 (4.894)	0.032 (0.181)	31.369 (5.523)	0.029 (0.166)	34.303 (6.039)	0.028 (0.158)	36.061 (6.349)	0.026 (0.15)	37.807 (6.656)
24" (609.6mm)		0.25 pcs/ft <sup>2</sup> (bracket) 2.69 pcs/m <sup>2</sup> (bracket)		0.2 pcs/ft <sup>2</sup> (bracket) 2.19 pcs/m <sup>2</sup> (bracket)		0.17 pcs/ft <sup>2</sup> (bracket) 1.85 pcs/m <sup>2</sup> (bracket)		0.16 pcs/ft <sup>2</sup> (bracket) 1.68 pcs/m <sup>2</sup> (bracket)		0.14 pcs/ft <sup>2</sup> (bracket) 1.52 pcs/m <sup>2</sup> (bracket)	
		0.5 ft/ft <sup>2</sup> (rails) 1.64 m/m <sup>2</sup> (rails)									
	4 (10.2)	0.03 (0.171)	33.188 (5.843)	0.028 (0.157)	36.285 (6.388)	0.026 (0.147)	38.687 (6.811)	0.025 (0.142)	40.07 (7.055)	0.024 (0.137)	41.404 (7.289)
	5 (12.7)	0.029 (0.166)	34.224 (6.025)	0.027 (0.151)	37.64 (6.627)	0.025 (0.141)	40.317 (7.098)	0.024 (0.136)	41.87 (7.371)	0.023 (0.131)	43.375 (7.636)
	6 (15.2)	0.029 (0.162)	35.009 (6.164)	0.026 (0.147)	38.711 (6.815)	0.024 (0.136)	41.641 (7.331)	0.023 (0.131)	43.351 (7.632)	0.022 (0.126)	45.017 (7.926)
32" (812.8mm)		0.19 pcs/ft <sup>2</sup> (bracket) 2.02 pcs/m <sup>2</sup> (bracket)		0.15 pcs/ft <sup>2</sup> (bracket) 1.64 pcs/m <sup>2</sup> (bracket)		0.13 pcs/ft <sup>2</sup> (bracket) 1.39 pcs/m <sup>2</sup> (bracket)		0.12 pcs/ft <sup>2</sup> (bracket) 1.26 pcs/m <sup>2</sup> (bracket)		0.11 pcs/ft <sup>2</sup> (bracket) 1.14 pcs/m <sup>2</sup> (bracket)	
		0.38 ft/ft <sup>2</sup> (rails) 1.23 m/m <sup>2</sup> (rails)									
	4 (10.2)	0.026 (0.15)	37.753 (6.647)	0.025 (0.139)	40.719 (7.169)	0.023 (0.132)	42.964 (7.564)	0.023 (0.128)	44.236 (7.788)	0.022 (0.125)	45.448 (8.001)
	5 (12.7)	0.026 (0.145)	39.12 (6.887)	0.024 (0.134)	42.42 (7.468)	0.022 (0.126)	44.943 (7.913)	0.022 (0.122)	46.381 (8.166)	0.021 (0.119)	47.758 (8.408)
	6 (15.2)	0.025 (0.141)	40.228 (7.082)	0.023 (0.13)	43.841 (7.718)	0.021 (0.122)	46.628 (8.209)	0.021 (0.118)	48.225 (8.49)	0.02 (0.114)	49.762 (8.761)
40" (1016mm)		0.15 pcs/ft <sup>2</sup> (bracket) 1.61 pcs/m <sup>2</sup> (bracket)		0.12 pcs/ft <sup>2</sup> (bracket) 1.31 pcs/m <sup>2</sup> (bracket)		0.1 pcs/ft <sup>2</sup> (bracket) 1.11 pcs/m <sup>2</sup> (bracket)		0.09 pcs/ft <sup>2</sup> (bracket) 1.01 pcs/m <sup>2</sup> (bracket)		0.08 pcs/ft <sup>2</sup> (bracket) 0.91 pcs/m <sup>2</sup> (bracket)	
		0.3 ft/ft <sup>2</sup> (rails) 0.98 m/m <sup>2</sup> (rails)									
	4 (10.2)	0.024 (0.138)	41.15 (7.245)	0.023 (0.129)	43.941 (7.736)	0.022 (0.123)	46.017 (8.102)	0.021 (0.12)	47.179 (8.306)	0.021 (0.118)	48.278 (8.5)
	5 (12.7)	0.023 (0.133)	42.793 (7.534)	0.022 (0.124)	45.919 (8.084)	0.021 (0.118)	48.266 (8.497)	0.02 (0.115)	49.586 (8.73)	0.02 (0.112)	50.84 (8.951)
	6 (15.2)	0.023 (0.129)	44.18 (7.778)	0.021 (0.119)	47.628 (8.385)	0.02 (0.113)	50.238 (8.845)	0.019 (0.11)	51.714 (9.105)	0.019 (0.107)	53.122 (9.352)

\*Between insulation thicknesses the values can be interpolated



# R-VALUE TABLES

## Fox HI Concrete 2" (50.8mm)

**Brackets:** Horizontal aluminum brackets + isolator

**Base Material:** Concrete 2" (50.8mm)

Horizontal Stud to Stud Spacing	Exterior Insulation Thickness* in. (cm)	Vertical Bracket to Bracket Spacing									
		24" Vertical (609.6mm)		30" Vertical (762mm)		36" Vertical (914.4mm)		42" Vertical (1066.8mm)		48" Vertical (1219.2mm)	
		Effective U-Value BTU/h*ft <sup>2</sup> *°F (W/m <sup>2</sup> K)	Effective R-Value h*ft <sup>2</sup> *°F/ BTU (m <sup>2</sup> K/W)	Effective U-Value BTU/h*ft <sup>2</sup> *°F (W/m <sup>2</sup> K)	Effective R-Value h*ft <sup>2</sup> *°F/ BTU (m <sup>2</sup> K/W)	Effective U-Value BTU/h*ft <sup>2</sup> *°F (W/m <sup>2</sup> K)	Effective R-Value h*ft <sup>2</sup> *°F/ BTU (m <sup>2</sup> K/W)	Effective U-Value BTU/h*ft <sup>2</sup> *°F (W/m <sup>2</sup> K)	Effective R-Value h*ft <sup>2</sup> *°F/ BTU (m <sup>2</sup> K/W)	Effective U-Value BTU/h*ft <sup>2</sup> *°F (W/m <sup>2</sup> K)	Effective R-Value h*ft <sup>2</sup> *°F/ BTU (m <sup>2</sup> K/W)
16" (406.4mm)		0.38 pcs/ft <sup>2</sup> (bracket) 4.04 pcs/m <sup>2</sup> (bracket)		0.3 pcs/ft <sup>2</sup> (bracket) 3.28 pcs/m <sup>2</sup> (bracket)		0.26 pcs/ft <sup>2</sup> (bracket) 2.78 pcs/m <sup>2</sup> (bracket)		0.23 pcs/ft <sup>2</sup> (bracket) 2.52 pcs/m <sup>2</sup> (bracket)		0.21 pcs/ft <sup>2</sup> (bracket) 2.28 pcs/m <sup>2</sup> (bracket)	
		0.75 ft/ft <sup>2</sup> (rails) 2.46 m/m <sup>2</sup> (rails)									
	4 (10.2)	0.093 (0.529)	10.744 (1.892)	0.086 (0.488)	11.634 (2.048)	0.081 (0.461)	12.312 (2.168)	0.079 (0.447)	12.698 (2.236)	0.077 (0.435)	13.067 (2.301)
	5 (12.7)	0.082 (0.464)	12.246 (2.156)	0.075 (0.424)	13.386 (2.357)	0.07 (0.398)	14.271 (2.512)	0.068 (0.384)	14.78 (2.602)	0.065 (0.372)	15.271 (2.688)
	6 (15.2)	0.074 (0.42)	13.509 (2.378)	0.067 (0.381)	14.893 (2.622)	0.063 (0.355)	15.983 (2.814)	0.06 (0.342)	16.616 (2.925)	0.058 (0.33)	17.232 (3.034)
24" (609.6mm)		0.25 pcs/ft <sup>2</sup> (bracket) 2.69 pcs/m <sup>2</sup> (bracket)		0.2 pcs/ft <sup>2</sup> (bracket) 2.19 pcs/m <sup>2</sup> (bracket)		0.17 pcs/ft <sup>2</sup> (bracket) 1.85 pcs/m <sup>2</sup> (bracket)		0.16 pcs/ft <sup>2</sup> (bracket) 1.68 pcs/m <sup>2</sup> (bracket)		0.14 pcs/ft <sup>2</sup> (bracket) 1.52 pcs/m <sup>2</sup> (bracket)	
		0.5 ft/ft <sup>2</sup> (rails) 1.64 m/m <sup>2</sup> (rails)									
	4 (10.2)	0.08 (0.454)	12.503 (2.201)	0.075 (0.427)	13.291 (2.34)	0.072 (0.409)	13.873 (2.442)	0.07 (0.4)	14.197 (2.5)	0.069 (0.392)	14.503 (2.553)
	5 (12.7)	0.069 (0.392)	14.484 (2.55)	0.064 (0.366)	15.527 (2.734)	0.061 (0.348)	16.309 (2.871)	0.06 (0.339)	16.748 (2.949)	0.058 (0.331)	17.165 (3.022)
	6 (15.2)	0.062 (0.35)	16.218 (2.855)	0.057 (0.324)	17.521 (3.085)	0.054 (0.307)	18.51 (3.259)	0.052 (0.298)	19.072 (3.358)	0.051 (0.29)	19.608 (3.452)
32" (812.8mm)		0.19 pcs/ft <sup>2</sup> (bracket) 2.02 pcs/m <sup>2</sup> (bracket)		0.15 pcs/ft <sup>2</sup> (bracket) 1.64 pcs/m <sup>2</sup> (bracket)		0.13 pcs/ft <sup>2</sup> (bracket) 1.39 pcs/m <sup>2</sup> (bracket)		0.12 pcs/ft <sup>2</sup> (bracket) 1.26 pcs/m <sup>2</sup> (bracket)		0.11 pcs/ft <sup>2</sup> (bracket) 1.14 pcs/m <sup>2</sup> (bracket)	
		0.38 ft/ft <sup>2</sup> (rails) 1.23 m/m <sup>2</sup> (rails)									
	4 (10.2)	0.0734 (0.417)	13.617 (2.397)	0.0699 (0.397)	14.3104 (2.519)	0.0675 (0.383)	14.8124 (2.608)	0.0663 (0.376)	15.0882 (2.656)	0.0652 (0.37)	15.3457 (2.702)
	5 (12.7)	0.0627 (0.356)	15.9412 (2.807)	0.0593 (0.337)	16.8771 (2.971)	0.0569 (0.323)	17.5633 (3.092)	0.0557 (0.317)	17.9435 (3.159)	0.0546 (0.31)	18.3006 (3.222)
	6 (15.2)	0.0555 (0.315)	18.0247 (3.173)	0.052 (0.296)	19.2158 (3.383)	0.0498 (0.283)	20.0997 (3.539)	0.0486 (0.276)	20.5933 (3.626)	0.0475 (0.27)	21.0595 (3.708)
40" (1016mm)		0.15 pcs/ft <sup>2</sup> (bracket) 1.61 pcs/m <sup>2</sup> (bracket)		0.12 pcs/ft <sup>2</sup> (bracket) 1.31 pcs/m <sup>2</sup> (bracket)		0.1 pcs/ft <sup>2</sup> (bracket) 1.11 pcs/m <sup>2</sup> (bracket)		0.09 pcs/ft <sup>2</sup> (bracket) 1.01 pcs/m <sup>2</sup> (bracket)		0.08 pcs/ft <sup>2</sup> (bracket) 0.91 pcs/m <sup>2</sup> (bracket)	
		0.3 ft/ft <sup>2</sup> (rails) 0.98 m/m <sup>2</sup> (rails)									
	4 (10.2)	0.07 (0.395)	14.386 (2.533)	0.067 (0.379)	15.001 (2.641)	0.065 (0.368)	15.439 (2.718)	0.064 (0.362)	15.678 (2.76)	0.063 (0.357)	15.9 (2.799)
	5 (12.7)	0.059 (0.335)	16.965 (2.987)	0.056 (0.319)	17.806 (3.135)	0.054 (0.308)	18.413 (3.242)	0.053 (0.303)	18.746 (3.3)	0.052 (0.298)	19.057 (3.355)
	6 (15.2)	0.052 (0.294)	19.316 (3.401)	0.049 (0.278)	20.4 (3.592)	0.047 (0.268)	21.191 (3.731)	0.046 (0.263)	21.629 (3.808)	0.045 (0.258)	22.039 (3.88)

\*Between insulation thicknesses the values can be interpolated

# R-VALUE TABLES

## Fox HI Concrete 3" (76.2mm)

**Brackets:** Horizontal aluminum brackets + isolator

**Base Material:** Concrete 3" (76.2mm)

Horizontal Stud to Stud Spacing	Exterior Insulation Thickness* in. (cm)	Vertical Bracket to Bracket Spacing									
		24" Vertical (609.6mm)		30" Vertical (762mm)		36" Vertical (914.4mm)		42" Vertical (1066.8mm)		48" Vertical (1219.2mm)	
		Effective U-Value BTU/h*ft <sup>2</sup> *°F (W/m <sup>2</sup> K)	Effective R-Value h*ft <sup>2</sup> *°F/ BTU (m <sup>2</sup> K/W)	Effective U-Value BTU/h*ft <sup>2</sup> *°F (W/m <sup>2</sup> K)	Effective R-Value h*ft <sup>2</sup> *°F/ BTU (m <sup>2</sup> K/W)	Effective U-Value BTU/h*ft <sup>2</sup> *°F (W/m <sup>2</sup> K)	Effective R-Value h*ft <sup>2</sup> *°F/ BTU (m <sup>2</sup> K/W)	Effective U-Value BTU/h*ft <sup>2</sup> *°F (W/m <sup>2</sup> K)	Effective R-Value h*ft <sup>2</sup> *°F/ BTU (m <sup>2</sup> K/W)	Effective U-Value BTU/h*ft <sup>2</sup> *°F (W/m <sup>2</sup> K)	Effective R-Value h*ft <sup>2</sup> *°F/ BTU (m <sup>2</sup> K/W)
16" (406.4mm)		0.38 pcs/ft <sup>2</sup> (bracket) 4.04 pcs/m <sup>2</sup> (bracket)		0.3 pcs/ft <sup>2</sup> (bracket) 3.28 pcs/m <sup>2</sup> (bracket)		0.26 pcs/ft <sup>2</sup> (bracket) 2.78 pcs/m <sup>2</sup> (bracket)		0.23 pcs/ft <sup>2</sup> (bracket) 2.52 pcs/m <sup>2</sup> (bracket)		0.21 pcs/ft <sup>2</sup> (bracket) 2.28 pcs/m <sup>2</sup> (bracket)	
		0.75 ft/ft <sup>2</sup> (rails) 2.46 m/m <sup>2</sup> (rails)									
	4 (10.2)	0.093 (0.528)	10.767 (1.896)	0.086 (0.487)	11.66 (2.053)	0.081 (0.46)	12.342 (2.173)	0.079 (0.446)	12.73 (2.241)	0.076 (0.434)	13.101 (2.306)
	5 (12.7)	0.082 (0.463)	12.266 (2.159)	0.075 (0.424)	13.41 (2.361)	0.07 (0.397)	14.298 (2.517)	0.068 (0.384)	14.808 (2.607)	0.065 (0.371)	15.301 (2.694)
	6 (15.2)	0.074 (0.42)	13.526 (2.381)	0.067 (0.381)	14.914 (2.626)	0.062 (0.355)	16.006 (2.818)	0.06 (0.341)	16.642 (2.93)	0.058 (0.329)	17.259 (3.039)
24" (609.6mm)		0.25 pcs/ft <sup>2</sup> (bracket) 2.69 pcs/m <sup>2</sup> (bracket)		0.2 pcs/ft <sup>2</sup> (bracket) 2.19 pcs/m <sup>2</sup> (bracket)		0.17 pcs/ft <sup>2</sup> (bracket) 1.85 pcs/m <sup>2</sup> (bracket)		0.16 pcs/ft <sup>2</sup> (bracket) 1.68 pcs/m <sup>2</sup> (bracket)		0.14 pcs/ft <sup>2</sup> (bracket) 1.52 pcs/m <sup>2</sup> (bracket)	
		0.5 ft/ft <sup>2</sup> (rails) 1.64 m/m <sup>2</sup> (rails)									
	4 (10.2)	0.08 (0.453)	12.534 (2.207)	0.075 (0.426)	13.326 (2.346)	0.072 (0.408)	13.911 (2.449)	0.07 (0.399)	14.237 (2.507)	0.069 (0.391)	14.544 (2.561)
	5 (12.7)	0.069 (0.391)	14.512 (2.555)	0.064 (0.365)	15.559 (2.739)	0.061 (0.348)	16.344 (2.877)	0.06 (0.338)	16.785 (2.955)	0.058 (0.33)	17.204 (3.029)
	6 (15.2)	0.062 (0.35)	16.242 (2.86)	0.057 (0.324)	17.549 (3.09)	0.054 (0.306)	18.542 (3.264)	0.052 (0.297)	19.106 (3.364)	0.051 (0.289)	19.644 (3.458)
32" (812.8mm)		0.19 pcs/ft <sup>2</sup> (bracket) 2.02 pcs/m <sup>2</sup> (bracket)		0.15 pcs/ft <sup>2</sup> (bracket) 1.64 pcs/m <sup>2</sup> (bracket)		0.13 pcs/ft <sup>2</sup> (bracket) 1.39 pcs/m <sup>2</sup> (bracket)		0.12 pcs/ft <sup>2</sup> (bracket) 1.26 pcs/m <sup>2</sup> (bracket)		0.11 pcs/ft <sup>2</sup> (bracket) 1.14 pcs/m <sup>2</sup> (bracket)	
		0.38 ft/ft <sup>2</sup> (rails) 1.23 m/m <sup>2</sup> (rails)									
	4 (10.2)	0.073 (0.416)	13.654 (2.404)	0.07 (0.396)	14.351 (2.527)	0.067 (0.382)	14.856 (2.615)	0.066 (0.375)	15.133 (2.664)	0.065 (0.369)	15.393 (2.71)
	5 (12.7)	0.063 (0.356)	15.975 (2.812)	0.059 (0.336)	16.915 (2.978)	0.057 (0.323)	17.604 (3.099)	0.056 (0.316)	17.986 (3.167)	0.055 (0.31)	18.345 (3.23)
	6 (15.2)	0.055 (0.315)	18.055 (3.179)	0.052 (0.295)	19.25 (3.389)	0.05 (0.282)	20.138 (3.545)	0.048 (0.275)	20.633 (3.633)	0.047 (0.269)	21.101 (3.715)
40" (1016mm)		0.15 pcs/ft <sup>2</sup> (bracket) 1.61 pcs/m <sup>2</sup> (bracket)		0.12 pcs/ft <sup>2</sup> (bracket) 1.31 pcs/m <sup>2</sup> (bracket)		0.1 pcs/ft <sup>2</sup> (bracket) 1.11 pcs/m <sup>2</sup> (bracket)		0.09 pcs/ft <sup>2</sup> (bracket) 1.01 pcs/m <sup>2</sup> (bracket)		0.08 pcs/ft <sup>2</sup> (bracket) 0.91 pcs/m <sup>2</sup> (bracket)	
		0.3 ft/ft <sup>2</sup> (rails) 0.98 m/m <sup>2</sup> (rails)									
	4 (10.2)	0.069 (0.394)	14.427 (2.54)	0.066 (0.378)	15.045 (2.649)	0.065 (0.367)	15.487 (2.727)	0.064 (0.361)	15.727 (2.769)	0.063 (0.356)	15.951 (2.808)
	5 (12.7)	0.059 (0.334)	17.003 (2.993)	0.056 (0.318)	17.848 (3.142)	0.054 (0.308)	18.458 (3.25)	0.053 (0.302)	18.792 (3.309)	0.052 (0.297)	19.105 (3.364)
	6 (15.2)	0.052 (0.294)	19.351 (3.407)	0.049 (0.278)	20.439 (3.598)	0.047 (0.268)	21.234 (3.738)	0.046 (0.262)	21.673 (3.816)	0.045 (0.257)	22.084 (3.888)

\*Between insulation thicknesses the values can be interpolated

# R-VALUE TABLES

## Fox HI Concrete 4" (101.6mm)

**Brackets:** Horizontal aluminum brackets + isolator

**Base Material:** Concrete 4" (101.6mm)

Horizontal Stud to Stud Spacing	Exterior Insulation Thickness* in. (cm)	Vertical Bracket to Bracket Spacing									
		24" Vertical (609.6mm)		30" Vertical (762mm)		36" Vertical (914.4mm)		42" Vertical (1066.8mm)		48" Vertical (1219.2mm)	
		Effective U-Value BTU/h*ft <sup>2</sup> *°F (W/m <sup>2</sup> K)	Effective R-Value h*ft <sup>2</sup> *°F/ BTU (m <sup>2</sup> K/W)	Effective U-Value BTU/h*ft <sup>2</sup> *°F (W/m <sup>2</sup> K)	Effective R-Value h*ft <sup>2</sup> *°F/ BTU (m <sup>2</sup> K/W)	Effective U-Value BTU/h*ft <sup>2</sup> *°F (W/m <sup>2</sup> K)	Effective R-Value h*ft <sup>2</sup> *°F/ BTU (m <sup>2</sup> K/W)	Effective U-Value BTU/h*ft <sup>2</sup> *°F (W/m <sup>2</sup> K)	Effective R-Value h*ft <sup>2</sup> *°F/ BTU (m <sup>2</sup> K/W)	Effective U-Value BTU/h*ft <sup>2</sup> *°F (W/m <sup>2</sup> K)	Effective R-Value h*ft <sup>2</sup> *°F/ BTU (m <sup>2</sup> K/W)
16" (406.4mm)		0.38 pcs/ft <sup>2</sup> (bracket) 4.04 pcs/m <sup>2</sup> (bracket)		0.3 pcs/ft <sup>2</sup> (bracket) 3.28 pcs/m <sup>2</sup> (bracket)		0.26 pcs/ft <sup>2</sup> (bracket) 2.78 pcs/m <sup>2</sup> (bracket)		0.23 pcs/ft <sup>2</sup> (bracket) 2.52 pcs/m <sup>2</sup> (bracket)		0.21 pcs/ft <sup>2</sup> (bracket) 2.28 pcs/m <sup>2</sup> (bracket)	
		0.75 ft/ft <sup>2</sup> (rails) 2.46 m/m <sup>2</sup> (rails)									
	4 (10.2)	0.093 (0.526)	10.79 (1.9)	0.086 (0.486)	11.687 (2.058)	0.081 (0.459)	12.372 (2.178)	0.078 (0.445)	12.762 (2.247)	0.076 (0.432)	13.135 (2.312)
	5 (12.7)	0.081 (0.462)	12.285 (2.163)	0.074 (0.423)	13.433 (2.365)	0.07 (0.397)	14.324 (2.522)	0.067 (0.383)	14.837 (2.612)	0.065 (0.37)	15.332 (2.699)
	6 (15.2)	0.074 (0.419)	13.543 (2.384)	0.067 (0.38)	14.935 (2.629)	0.062 (0.354)	16.03 (2.822)	0.06 (0.341)	16.668 (2.934)	0.058 (0.329)	17.287 (3.044)
24" (609.6mm)		0.25 pcs/ft <sup>2</sup> (bracket) 2.69 pcs/m <sup>2</sup> (bracket)		0.2 pcs/ft <sup>2</sup> (bracket) 2.19 pcs/m <sup>2</sup> (bracket)		0.17 pcs/ft <sup>2</sup> (bracket) 1.85 pcs/m <sup>2</sup> (bracket)		0.16 pcs/ft <sup>2</sup> (bracket) 1.68 pcs/m <sup>2</sup> (bracket)		0.14 pcs/ft <sup>2</sup> (bracket) 1.52 pcs/m <sup>2</sup> (bracket)	
		0.5 ft/ft <sup>2</sup> (rails) 1.64 m/m <sup>2</sup> (rails)									
	4 (10.2)	0.08 (0.452)	12.565 (2.212)	0.075 (0.425)	13.361 (2.352)	0.072 (0.407)	13.95 (2.456)	0.07 (0.398)	14.277 (2.514)	0.069 (0.389)	14.586 (2.568)
	5 (12.7)	0.069 (0.391)	14.539 (2.56)	0.064 (0.364)	15.591 (2.745)	0.061 (0.347)	16.379 (2.884)	0.059 (0.338)	16.822 (2.962)	0.058 (0.329)	17.243 (3.036)
	6 (15.2)	0.061 (0.349)	16.267 (2.864)	0.057 (0.323)	17.578 (3.095)	0.054 (0.306)	18.574 (3.27)	0.052 (0.297)	19.14 (3.37)	0.051 (0.289)	19.68 (3.465)
32" (812.8mm)		0.19 pcs/ft <sup>2</sup> (bracket) 2.02 pcs/m <sup>2</sup> (bracket)		0.15 pcs/ft <sup>2</sup> (bracket) 1.64 pcs/m <sup>2</sup> (bracket)		0.13 pcs/ft <sup>2</sup> (bracket) 1.39 pcs/m <sup>2</sup> (bracket)		0.12 pcs/ft <sup>2</sup> (bracket) 1.26 pcs/m <sup>2</sup> (bracket)		0.11 pcs/ft <sup>2</sup> (bracket) 1.14 pcs/m <sup>2</sup> (bracket)	
		0.38 ft/ft <sup>2</sup> (rails) 1.23 m/m <sup>2</sup> (rails)									
	4 (10.2)	0.073 (0.415)	13.691 (2.41)	0.069 (0.395)	14.392 (2.534)	0.067 (0.381)	14.899 (2.623)	0.066 (0.374)	15.179 (2.672)	0.065 (0.368)	15.439 (2.718)
	5 (12.7)	0.062 (0.355)	16.008 (2.818)	0.059 (0.335)	16.952 (2.985)	0.057 (0.322)	17.644 (3.106)	0.055 (0.315)	18.028 (3.174)	0.054 (0.309)	18.389 (3.237)
	6 (15.2)	0.055 (0.314)	18.086 (3.184)	0.052 (0.295)	19.285 (3.395)	0.05 (0.282)	20.175 (3.552)	0.048 (0.275)	20.673 (3.64)	0.047 (0.269)	21.143 (3.722)
40" (1016mm)		0.15 pcs/ft <sup>2</sup> (bracket) 1.61 pcs/m <sup>2</sup> (bracket)		0.12 pcs/ft <sup>2</sup> (bracket) 1.31 pcs/m <sup>2</sup> (bracket)		0.1 pcs/ft <sup>2</sup> (bracket) 1.11 pcs/m <sup>2</sup> (bracket)		0.09 pcs/ft <sup>2</sup> (bracket) 1.01 pcs/m <sup>2</sup> (bracket)		0.08 pcs/ft <sup>2</sup> (bracket) 0.91 pcs/m <sup>2</sup> (bracket)	
		0.3 ft/ft <sup>2</sup> (rails) 0.98 m/m <sup>2</sup> (rails)									
	4 (10.2)	0.069 (0.393)	14.469 (2.547)	0.066 (0.376)	15.09 (2.657)	0.064 (0.366)	15.534 (2.735)	0.063 (0.36)	15.776 (2.777)	0.062 (0.355)	16.001 (2.817)
	5 (12.7)	0.059 (0.333)	17.041 (3)	0.056 (0.318)	17.889 (3.15)	0.054 (0.307)	18.502 (3.257)	0.053 (0.302)	18.839 (3.317)	0.052 (0.297)	19.152 (3.372)
	6 (15.2)	0.052 (0.293)	19.386 (3.413)	0.049 (0.277)	20.478 (3.605)	0.047 (0.267)	21.276 (3.746)	0.046 (0.262)	21.716 (3.823)	0.045 (0.257)	22.13 (3.896)

\*Between insulation thicknesses the values can be interpolated

# R-VALUE TABLES

## Fox HI Concrete 5" (127mm)

**Brackets:** Horizontal aluminum brackets + isolator

**Base Material:** Concrete 5" (127mm)

Horizontal Stud to Stud Spacing	Exterior Insulation Thickness <sup>a</sup> in. (cm)	Vertical Bracket to Bracket Spacing									
		24" Vertical (609.6mm)		30" Vertical (762mm)		36" Vertical (914.4mm)		42" Vertical (1066.8mm)		48" Vertical (1219.2mm)	
		Effective U-Value BTU/h*ft <sup>2</sup> *°F (W/m <sup>2</sup> K)	Effective R-Value h*ft <sup>2</sup> *°F/ BTU (m <sup>2</sup> K/W)	Effective U-Value BTU/h*ft <sup>2</sup> *°F (W/m <sup>2</sup> K)	Effective R-Value h*ft <sup>2</sup> *°F/ BTU (m <sup>2</sup> K/W)	Effective U-Value BTU/h*ft <sup>2</sup> *°F (W/m <sup>2</sup> K)	Effective R-Value h*ft <sup>2</sup> *°F/ BTU (m <sup>2</sup> K/W)	Effective U-Value BTU/h*ft <sup>2</sup> *°F (W/m <sup>2</sup> K)	Effective R-Value h*ft <sup>2</sup> *°F/ BTU (m <sup>2</sup> K/W)	Effective U-Value BTU/h*ft <sup>2</sup> *°F (W/m <sup>2</sup> K)	Effective R-Value h*ft <sup>2</sup> *°F/ BTU (m <sup>2</sup> K/W)
16" (406.4mm)		0.38 pcs/ft <sup>2</sup> (bracket) 4.04 pcs/m <sup>2</sup> (bracket)		0.3 pcs/ft <sup>2</sup> (bracket) 3.28 pcs/m <sup>2</sup> (bracket)		0.26 pcs/ft <sup>2</sup> (bracket) 2.78 pcs/m <sup>2</sup> (bracket)		0.23 pcs/ft <sup>2</sup> (bracket) 2.52 pcs/m <sup>2</sup> (bracket)		0.21 pcs/ft <sup>2</sup> (bracket) 2.28 pcs/m <sup>2</sup> (bracket)	
		0.75 ft/ft <sup>2</sup> (rails) 2.46 m/m <sup>2</sup> (rails)									
	4 (10.2)	0.092 (0.525)	10.812 (1.904)	0.085 (0.485)	11.714 (2.062)	0.081 (0.458)	12.402 (2.183)	0.078 (0.444)	12.794 (2.252)	0.076 (0.431)	13.168 (2.318)
	5 (12.7)	0.081 (0.462)	12.305 (2.166)	0.074 (0.422)	13.457 (2.369)	0.07 (0.396)	14.351 (2.527)	0.067 (0.382)	14.866 (2.617)	0.065 (0.37)	15.363 (2.705)
	6 (15.2)	0.074 (0.419)	13.56 (2.387)	0.067 (0.38)	14.955 (2.633)	0.062 (0.354)	16.054 (2.826)	0.06 (0.34)	16.693 (2.939)	0.058 (0.328)	17.315 (3.048)
24" (609.6mm)		0.25 pcs/ft <sup>2</sup> (bracket) 2.69 pcs/m <sup>2</sup> (bracket)		0.2 pcs/ft <sup>2</sup> (bracket) 2.19 pcs/m <sup>2</sup> (bracket)		0.17 pcs/ft <sup>2</sup> (bracket) 1.85 pcs/m <sup>2</sup> (bracket)		0.16 pcs/ft <sup>2</sup> (bracket) 1.68 pcs/m <sup>2</sup> (bracket)		0.14 pcs/ft <sup>2</sup> (bracket) 1.52 pcs/m <sup>2</sup> (bracket)	
		0.5 ft/ft <sup>2</sup> (rails) 1.64 m/m <sup>2</sup> (rails)									
	4 (10.2)	0.079 (0.451)	12.595 (2.218)	0.075 (0.424)	13.396 (2.358)	0.071 (0.406)	13.988 (2.463)	0.07 (0.397)	14.317 (2.521)	0.068 (0.388)	14.628 (2.575)
	5 (12.7)	0.069 (0.39)	14.567 (2.565)	0.064 (0.364)	15.622 (2.75)	0.061 (0.346)	16.414 (2.89)	0.059 (0.337)	16.859 (2.968)	0.058 (0.329)	17.282 (3.043)
	6 (15.2)	0.061 (0.349)	16.292 (2.868)	0.057 (0.323)	17.607 (3.1)	0.054 (0.305)	18.606 (3.276)	0.052 (0.296)	19.174 (3.376)	0.051 (0.288)	19.715 (3.471)
32" (812.8mm)		0.19 pcs/ft <sup>2</sup> (bracket) 2.02 pcs/m <sup>2</sup> (bracket)		0.15 pcs/ft <sup>2</sup> (bracket) 1.64 pcs/m <sup>2</sup> (bracket)		0.13 pcs/ft <sup>2</sup> (bracket) 1.39 pcs/m <sup>2</sup> (bracket)		0.12 pcs/ft <sup>2</sup> (bracket) 1.26 pcs/m <sup>2</sup> (bracket)		0.11 pcs/ft <sup>2</sup> (bracket) 1.14 pcs/m <sup>2</sup> (bracket)	
		0.38 ft/ft <sup>2</sup> (rails) 1.23 m/m <sup>2</sup> (rails)									
	4 (10.2)	0.073 (0.414)	13.727 (2.417)	0.069 (0.394)	14.432 (2.541)	0.067 (0.38)	14.943 (2.631)	0.066 (0.373)	15.224 (2.68)	0.065 (0.367)	15.486 (2.726)
	5 (12.7)	0.062 (0.354)	16.041 (2.824)	0.059 (0.334)	16.989 (2.991)	0.057 (0.321)	17.685 (3.114)	0.055 (0.314)	18.071 (3.181)	0.054 (0.308)	18.433 (3.245)
	6 (15.2)	0.055 (0.314)	18.116 (3.189)	0.052 (0.294)	19.319 (3.401)	0.049 (0.281)	20.213 (3.559)	0.048 (0.274)	20.712 (3.647)	0.047 (0.268)	21.184 (3.73)
40" (1016mm)		0.15 pcs/ft <sup>2</sup> (bracket) 1.61 pcs/m <sup>2</sup> (bracket)		0.12 pcs/ft <sup>2</sup> (bracket) 1.31 pcs/m <sup>2</sup> (bracket)		0.1 pcs/ft <sup>2</sup> (bracket) 1.11 pcs/m <sup>2</sup> (bracket)		0.09 pcs/ft <sup>2</sup> (bracket) 1.01 pcs/m <sup>2</sup> (bracket)		0.08 pcs/ft <sup>2</sup> (bracket) 0.91 pcs/m <sup>2</sup> (bracket)	
		0.3 ft/ft <sup>2</sup> (rails) 0.98 m/m <sup>2</sup> (rails)									
	4 (10.2)	0.069 (0.391)	14.51 (2.554)	0.066 (0.375)	15.135 (2.665)	0.064 (0.365)	15.581 (2.743)	0.063 (0.359)	15.825 (2.786)	0.062 (0.354)	16.051 (2.826)
	5 (12.7)	0.059 (0.333)	17.079 (3.007)	0.056 (0.317)	17.931 (3.157)	0.054 (0.306)	18.547 (3.265)	0.053 (0.301)	18.885 (3.325)	0.052 (0.296)	19.2 (3.38)
	6 (15.2)	0.051 (0.292)	19.421 (3.419)	0.049 (0.277)	20.517 (3.612)	0.047 (0.266)	21.318 (3.753)	0.046 (0.261)	21.76 (3.831)	0.045 (0.256)	22.175 (3.904)

<sup>a</sup>Between insulation thicknesses the values can be interpolated

# R-VALUE TABLES

## Fox HI Concrete 6" (152.4mm)

**Brackets:** Horizontal aluminum brackets + isolator

**Base Material:** Concrete 6" (152.4mm)

Horizontal Stud to Stud Spacing	Exterior Insulation Thickness* in. (cm)	Vertical Bracket to Bracket Spacing									
		24" Vertical (609.6mm)		30" Vertical (762mm)		36" Vertical (914.4mm)		42" Vertical (1066.8mm)		48" Vertical (1219.2mm)	
		Effective U-Value BTU/h*ft <sup>2</sup> *°F (W/m <sup>2</sup> K)	Effective R-Value h*ft <sup>2</sup> *°F/ BTU (m <sup>2</sup> K/W)	Effective U-Value BTU/h*ft <sup>2</sup> *°F (W/m <sup>2</sup> K)	Effective R-Value h*ft <sup>2</sup> *°F/ BTU (m <sup>2</sup> K/W)	Effective U-Value BTU/h*ft <sup>2</sup> *°F (W/m <sup>2</sup> K)	Effective R-Value h*ft <sup>2</sup> *°F/ BTU (m <sup>2</sup> K/W)	Effective U-Value BTU/h*ft <sup>2</sup> *°F (W/m <sup>2</sup> K)	Effective R-Value h*ft <sup>2</sup> *°F/ BTU (m <sup>2</sup> K/W)	Effective U-Value BTU/h*ft <sup>2</sup> *°F (W/m <sup>2</sup> K)	Effective R-Value h*ft <sup>2</sup> *°F/ BTU (m <sup>2</sup> K/W)
16" (406.4mm)		0.38 pcs/ft <sup>2</sup> (bracket) 4.04 pcs/m <sup>2</sup> (bracket)		0.3 pcs/ft <sup>2</sup> (bracket) 3.28 pcs/m <sup>2</sup> (bracket)		0.26 pcs/ft <sup>2</sup> (bracket) 2.78 pcs/m <sup>2</sup> (bracket)		0.23 pcs/ft <sup>2</sup> (bracket) 2.52 pcs/m <sup>2</sup> (bracket)		0.21 pcs/ft <sup>2</sup> (bracket) 2.28 pcs/m <sup>2</sup> (bracket)	
		0.75 ft/ft <sup>2</sup> (rails) 2.46 m/m <sup>2</sup> (rails)									
	4 (10.2)	0.092 (0.524)	10.835 (1.908)	0.085 (0.484)	11.741 (2.067)	0.08 (0.457)	12.432 (2.189)	0.078 (0.443)	12.825 (2.258)	0.076 (0.43)	13.202 (2.324)
	5 (12.7)	0.081 (0.461)	12.324 (2.17)	0.074 (0.421)	13.48 (2.373)	0.07 (0.395)	14.378 (2.531)	0.067 (0.381)	14.894 (2.622)	0.065 (0.369)	15.393 (2.71)
	6 (15.2)	0.074 (0.418)	13.577 (2.39)	0.067 (0.379)	14.976 (2.637)	0.062 (0.353)	16.078 (2.831)	0.06 (0.34)	16.719 (2.943)	0.058 (0.328)	17.342 (3.053)
24" (609.6mm)		0.25 pcs/ft <sup>2</sup> (bracket) 2.69 pcs/m <sup>2</sup> (bracket)		0.2 pcs/ft <sup>2</sup> (bracket) 2.19 pcs/m <sup>2</sup> (bracket)		0.17 pcs/ft <sup>2</sup> (bracket) 1.85 pcs/m <sup>2</sup> (bracket)		0.16 pcs/ft <sup>2</sup> (bracket) 1.68 pcs/m <sup>2</sup> (bracket)		0.14 pcs/ft <sup>2</sup> (bracket) 1.52 pcs/m <sup>2</sup> (bracket)	
		0.5 ft/ft <sup>2</sup> (rails) 1.64 m/m <sup>2</sup> (rails)									
	4 (10.2)	0.079 (0.45)	12.626 (2.223)	0.074 (0.423)	13.431 (2.365)	0.071 (0.405)	14.026 (2.469)	0.07 (0.396)	14.357 (2.528)	0.068 (0.387)	14.669 (2.583)
	5 (12.7)	0.069 (0.389)	14.594 (2.569)	0.064 (0.363)	15.654 (2.756)	0.061 (0.345)	16.449 (2.896)	0.059 (0.336)	16.896 (2.975)	0.058 (0.328)	17.32 (3.049)
	6 (15.2)	0.061 (0.348)	16.316 (2.873)	0.057 (0.322)	17.635 (3.105)	0.054 (0.305)	18.638 (3.281)	0.052 (0.296)	19.208 (3.382)	0.051 (0.288)	19.751 (3.477)
32" (812.8mm)		0.19 pcs/ft <sup>2</sup> (bracket) 2.02 pcs/m <sup>2</sup> (bracket)		0.15 pcs/ft <sup>2</sup> (bracket) 1.64 pcs/m <sup>2</sup> (bracket)		0.13 pcs/ft <sup>2</sup> (bracket) 1.39 pcs/m <sup>2</sup> (bracket)		0.12 pcs/ft <sup>2</sup> (bracket) 1.26 pcs/m <sup>2</sup> (bracket)		0.11 pcs/ft <sup>2</sup> (bracket) 1.14 pcs/m <sup>2</sup> (bracket)	
		0.38 ft/ft <sup>2</sup> (rails) 1.23 m/m <sup>2</sup> (rails)									
	4 (10.2)	0.073 (0.413)	13.764 (2.423)	0.069 (0.392)	14.473 (2.548)	0.067 (0.379)	14.986 (2.638)	0.065 (0.372)	15.269 (2.688)	0.064 (0.366)	15.533 (2.735)
	5 (12.7)	0.062 (0.353)	16.075 (2.83)	0.059 (0.334)	17.027 (2.998)	0.056 (0.32)	17.725 (3.121)	0.055 (0.314)	18.113 (3.189)	0.054 (0.307)	18.477 (3.253)
	6 (15.2)	0.055 (0.313)	18.146 (3.195)	0.052 (0.293)	19.354 (3.407)	0.049 (0.28)	20.251 (3.565)	0.048 (0.274)	20.752 (3.654)	0.047 (0.268)	21.225 (3.737)
40" (1016mm)		0.15 pcs/ft <sup>2</sup> (bracket) 1.61 pcs/m <sup>2</sup> (bracket)		0.12 pcs/ft <sup>2</sup> (bracket) 1.31 pcs/m <sup>2</sup> (bracket)		0.1 pcs/ft <sup>2</sup> (bracket) 1.11 pcs/m <sup>2</sup> (bracket)		0.09 pcs/ft <sup>2</sup> (bracket) 1.01 pcs/m <sup>2</sup> (bracket)		0.08 pcs/ft <sup>2</sup> (bracket) 0.91 pcs/m <sup>2</sup> (bracket)	
		0.3 ft/ft <sup>2</sup> (rails) 0.98 m/m <sup>2</sup> (rails)									
	4 (10.2)	0.069 (0.39)	14.55 (2.562)	0.066 (0.374)	15.179 (2.672)	0.064 (0.363)	15.629 (2.752)	0.063 (0.358)	15.874 (2.795)	0.062 (0.353)	16.101 (2.835)
	5 (12.7)	0.058 (0.332)	17.116 (3.013)	0.056 (0.316)	17.972 (3.164)	0.054 (0.306)	18.591 (3.273)	0.053 (0.3)	18.931 (3.333)	0.052 (0.295)	19.248 (3.389)
	6 (15.2)	0.051 (0.292)	19.455 (3.425)	0.049 (0.276)	20.556 (3.619)	0.047 (0.266)	21.359 (3.76)	0.046 (0.261)	21.804 (3.839)	0.045 (0.256)	22.22 (3.912)

\*Between insulation thicknesses the values can be interpolated

# R-VALUE TABLES

## Fox HI Concrete 8" (203.2mm)

**Brackets:** Horizontal aluminum brackets + isolator

**Base Material:** Concrete 8" (203.2mm)

Horizontal Stud to Stud Spacing	Exterior Insulation Thickness <sup>a</sup> in. (cm)	Vertical Bracket to Bracket Spacing									
		24" Vertical (609.6mm)		30" Vertical (762mm)		36" Vertical (914.4mm)		42" Vertical (1066.8mm)		48" Vertical (1219.2mm)	
		Effective U-Value BTU/h*ft <sup>2</sup> *°F (W/m <sup>2</sup> K)	Effective R-Value h*ft <sup>2</sup> *°F/ BTU (m <sup>2</sup> K/W)	Effective U-Value BTU/h*ft <sup>2</sup> *°F (W/m <sup>2</sup> K)	Effective R-Value h*ft <sup>2</sup> *°F/ BTU (m <sup>2</sup> K/W)	Effective U-Value BTU/h*ft <sup>2</sup> *°F (W/m <sup>2</sup> K)	Effective R-Value h*ft <sup>2</sup> *°F/ BTU (m <sup>2</sup> K/W)	Effective U-Value BTU/h*ft <sup>2</sup> *°F (W/m <sup>2</sup> K)	Effective R-Value h*ft <sup>2</sup> *°F/ BTU (m <sup>2</sup> K/W)	Effective U-Value BTU/h*ft <sup>2</sup> *°F (W/m <sup>2</sup> K)	Effective R-Value h*ft <sup>2</sup> *°F/ BTU (m <sup>2</sup> K/W)
16" (406.4mm)		0.38 pcs/ft <sup>2</sup> (bracket) 4.04 pcs/m <sup>2</sup> (bracket)		0.3 pcs/ft <sup>2</sup> (bracket) 3.28 pcs/m <sup>2</sup> (bracket)		0.26 pcs/ft <sup>2</sup> (bracket) 2.78 pcs/m <sup>2</sup> (bracket)		0.23 pcs/ft <sup>2</sup> (bracket) 2.52 pcs/m <sup>2</sup> (bracket)		0.21 pcs/ft <sup>2</sup> (bracket) 2.28 pcs/m <sup>2</sup> (bracket)	
		0.75 ft/ft <sup>2</sup> (rails) 2.46 m/m <sup>2</sup> (rails)									
	4 (10.2)	0.092 (0.522)	10.88 (1.916)	0.085 (0.482)	11.794 (2.076)	0.08 (0.455)	12.491 (2.199)	0.078 (0.441)	12.889 (2.269)	0.075 (0.428)	13.269 (2.336)
	5 (12.7)	0.081 (0.459)	12.363 (2.177)	0.074 (0.42)	13.527 (2.382)	0.069 (0.394)	14.431 (2.541)	0.067 (0.38)	14.951 (2.632)	0.065 (0.368)	15.454 (2.721)
	6 (15.2)	0.073 (0.417)	13.611 (2.396)	0.067 (0.378)	15.017 (2.644)	0.062 (0.352)	16.125 (2.839)	0.06 (0.339)	16.77 (2.953)	0.057 (0.326)	17.398 (3.063)
24" (609.6mm)		0.25 pcs/ft <sup>2</sup> (bracket) 2.69 pcs/m <sup>2</sup> (bracket)		0.2 pcs/ft <sup>2</sup> (bracket) 2.19 pcs/m <sup>2</sup> (bracket)		0.17 pcs/ft <sup>2</sup> (bracket) 1.85 pcs/m <sup>2</sup> (bracket)		0.16 pcs/ft <sup>2</sup> (bracket) 1.68 pcs/m <sup>2</sup> (bracket)		0.14 pcs/ft <sup>2</sup> (bracket) 1.52 pcs/m <sup>2</sup> (bracket)	
		0.5 ft/ft <sup>2</sup> (rails) 1.64 m/m <sup>2</sup> (rails)									
	4 (10.2)	0.079 (0.448)	12.688 (2.234)	0.074 (0.421)	13.5 (2.377)	0.071 (0.403)	14.102 (2.483)	0.069 (0.393)	14.436 (2.542)	0.068 (0.385)	14.752 (2.597)
	5 (12.7)	0.068 (0.388)	14.649 (2.579)	0.064 (0.361)	15.717 (2.767)	0.061 (0.344)	16.518 (2.908)	0.059 (0.335)	16.969 (2.988)	0.057 (0.326)	17.397 (3.063)
	6 (15.2)	0.061 (0.347)	16.365 (2.881)	0.057 (0.321)	17.692 (3.115)	0.053 (0.304)	18.702 (3.293)	0.052 (0.295)	19.275 (3.394)	0.05 (0.287)	19.823 (3.49)
32" (812.8mm)		0.19 pcs/ft <sup>2</sup> (bracket) 2.02 pcs/m <sup>2</sup> (bracket)		0.15 pcs/ft <sup>2</sup> (bracket) 1.64 pcs/m <sup>2</sup> (bracket)		0.13 pcs/ft <sup>2</sup> (bracket) 1.39 pcs/m <sup>2</sup> (bracket)		0.12 pcs/ft <sup>2</sup> (bracket) 1.26 pcs/m <sup>2</sup> (bracket)		0.11 pcs/ft <sup>2</sup> (bracket) 1.14 pcs/m <sup>2</sup> (bracket)	
		0.38 ft/ft <sup>2</sup> (rails) 1.23 m/m <sup>2</sup> (rails)									
	4 (10.2)	0.072 (0.41)	13.837 (2.436)	0.069 (0.39)	14.553 (2.562)	0.066 (0.377)	15.073 (2.654)	0.065 (0.37)	15.359 (2.704)	0.064 (0.364)	15.626 (2.751)
	5 (12.7)	0.062 (0.352)	16.141 (2.842)	0.058 (0.332)	17.101 (3.011)	0.056 (0.319)	17.806 (3.135)	0.055 (0.312)	18.197 (3.204)	0.054 (0.306)	18.564 (3.268)
	6 (15.2)	0.055 (0.312)	18.207 (3.205)	0.051 (0.292)	19.423 (3.419)	0.049 (0.279)	20.326 (3.579)	0.048 (0.273)	20.831 (3.667)	0.047 (0.267)	21.308 (3.751)
40" (1016mm)		0.15 pcs/ft <sup>2</sup> (bracket) 1.61 pcs/m <sup>2</sup> (bracket)		0.12 pcs/ft <sup>2</sup> (bracket) 1.31 pcs/m <sup>2</sup> (bracket)		0.1 pcs/ft <sup>2</sup> (bracket) 1.11 pcs/m <sup>2</sup> (bracket)		0.09 pcs/ft <sup>2</sup> (bracket) 1.01 pcs/m <sup>2</sup> (bracket)		0.08 pcs/ft <sup>2</sup> (bracket) 0.91 pcs/m <sup>2</sup> (bracket)	
		0.3 ft/ft <sup>2</sup> (rails) 0.98 m/m <sup>2</sup> (rails)									
	4 (10.2)	0.068 (0.388)	14.632 (2.576)	0.065 (0.372)	15.268 (2.688)	0.064 (0.361)	15.723 (2.768)	0.063 (0.356)	15.971 (2.812)	0.062 (0.351)	16.201 (2.852)
	5 (12.7)	0.058 (0.33)	17.192 (3.027)	0.055 (0.315)	18.055 (3.179)	0.054 (0.304)	18.68 (3.289)	0.053 (0.299)	19.023 (3.349)	0.052 (0.294)	19.343 (3.405)
	6 (15.2)	0.051 (0.291)	19.525 (3.437)	0.048 (0.275)	20.633 (3.633)	0.047 (0.265)	21.443 (3.775)	0.046 (0.259)	21.891 (3.854)	0.045 (0.255)	22.311 (3.928)

<sup>a</sup>Between insulation thicknesses the values can be interpolated

# R-VALUE TABLES

## Fox HI Concrete 10" (254mm)

**Brackets:** Horizontal aluminum brackets + isolator

**Base Material:** Concrete 10" (254mm)

Horizontal Stud to Stud Spacing	Exterior Insulation Thickness in. (cm)	Vertical Bracket to Bracket Spacing									
		24" Vertical (609.6mm)		30" Vertical (762mm)		36" Vertical (914.4mm)		42" Vertical (1066.8mm)		48" Vertical (1219.2mm)	
		Effective U-Value BTU/h*ft <sup>2</sup> *°F (W/m <sup>2</sup> K)	Effective R-Value h*ft <sup>2</sup> *°F/ BTU (m <sup>2</sup> K/W)	Effective U-Value BTU/h*ft <sup>2</sup> *°F (W/m <sup>2</sup> K)	Effective R-Value h*ft <sup>2</sup> *°F/ BTU (m <sup>2</sup> K/W)	Effective U-Value BTU/h*ft <sup>2</sup> *°F (W/m <sup>2</sup> K)	Effective R-Value h*ft <sup>2</sup> *°F/ BTU (m <sup>2</sup> K/W)	Effective U-Value BTU/h*ft <sup>2</sup> *°F (W/m <sup>2</sup> K)	Effective R-Value h*ft <sup>2</sup> *°F/ BTU (m <sup>2</sup> K/W)	Effective U-Value BTU/h*ft <sup>2</sup> *°F (W/m <sup>2</sup> K)	Effective R-Value h*ft <sup>2</sup> *°F/ BTU (m <sup>2</sup> K/W)
16" (406.4mm)		0.38 pcs/ft <sup>2</sup> (bracket) 4.04 pcs/m <sup>2</sup> (bracket)		0.3 pcs/ft <sup>2</sup> (bracket) 3.28 pcs/m <sup>2</sup> (bracket)		0.26 pcs/ft <sup>2</sup> (bracket) 2.78 pcs/m <sup>2</sup> (bracket)		0.23 pcs/ft <sup>2</sup> (bracket) 2.52 pcs/m <sup>2</sup> (bracket)		0.21 pcs/ft <sup>2</sup> (bracket) 2.28 pcs/m <sup>2</sup> (bracket)	
		0.75 ft/ft <sup>2</sup> (rails) 2.46 m/m <sup>2</sup> (rails)									
	4 (10.2)	0.092 (0.52)	10.925 (1.923)	0.084 (0.479)	11.846 (2.086)	0.08 (0.453)	12.551 (2.21)	0.077 (0.439)	12.952 (2.28)	0.075 (0.426)	13.336 (2.348)
	5 (12.7)	0.081 (0.458)	12.402 (2.183)	0.074 (0.418)	13.573 (2.39)	0.069 (0.392)	14.484 (2.55)	0.067 (0.378)	15.008 (2.642)	0.064 (0.366)	15.515 (2.731)
	6 (15.2)	0.073 (0.416)	13.645 (2.402)	0.066 (0.377)	15.058 (2.651)	0.062 (0.351)	16.172 (2.847)	0.059 (0.338)	16.821 (2.962)	0.057 (0.325)	17.453 (3.073)
24" (609.6mm)		0.25 pcs/ft <sup>2</sup> (bracket) 2.69 pcs/m <sup>2</sup> (bracket)		0.2 pcs/ft <sup>2</sup> (bracket) 2.19 pcs/m <sup>2</sup> (bracket)		0.17 pcs/ft <sup>2</sup> (bracket) 1.85 pcs/m <sup>2</sup> (bracket)		0.16 pcs/ft <sup>2</sup> (bracket) 1.68 pcs/m <sup>2</sup> (bracket)		0.14 pcs/ft <sup>2</sup> (bracket) 1.52 pcs/m <sup>2</sup> (bracket)	
		0.5 ft/ft <sup>2</sup> (rails) 1.64 m/m <sup>2</sup> (rails)									
	4 (10.2)	0.078 (0.446)	12.749 (2.245)	0.074 (0.419)	13.57 (2.389)	0.071 (0.401)	14.177 (2.496)	0.069 (0.391)	14.516 (2.556)	0.067 (0.383)	14.835 (2.612)
	5 (12.7)	0.068 (0.386)	14.704 (2.589)	0.063 (0.36)	15.78 (2.778)	0.06 (0.342)	16.588 (2.92)	0.059 (0.333)	17.042 (3)	0.057 (0.325)	17.474 (2.731)
	6 (15.2)	0.061 (0.346)	16.413 (2.89)	0.056 (0.32)	17.749 (3.125)	0.053 (0.303)	18.766 (3.304)	0.052 (0.294)	19.343 (3.405)	0.05 (0.286)	19.894 (3.503)
32" (812.8mm)		0.19 pcs/ft <sup>2</sup> (bracket) 2.02 pcs/m <sup>2</sup> (bracket)		0.15 pcs/ft <sup>2</sup> (bracket) 1.64 pcs/m <sup>2</sup> (bracket)		0.13 pcs/ft <sup>2</sup> (bracket) 1.39 pcs/m <sup>2</sup> (bracket)		0.12 pcs/ft <sup>2</sup> (bracket) 1.26 pcs/m <sup>2</sup> (bracket)		0.11 pcs/ft <sup>2</sup> (bracket) 1.14 pcs/m <sup>2</sup> (bracket)	
		0.38 ft/ft <sup>2</sup> (rails) 1.23 m/m <sup>2</sup> (rails)									
	4 (10.2)	0.072 (0.408)	13.91 (2.449)	0.068 (0.388)	14.634 (2.576)	0.066 (0.375)	15.159 (2.669)	0.065 (0.368)	15.448 (2.72)	0.064 (0.361)	15.718 (2.767)
	5 (12.7)	0.062 (0.35)	16.207 (2.853)	0.058 (0.331)	17.176 (3.024)	0.056 (0.318)	17.887 (3.149)	0.055 (0.311)	18.281 (3.219)	0.054 (0.305)	18.652 (3.284)
	6 (15.2)	0.055 (0.311)	18.267 (3.216)	0.051 (0.291)	19.491 (3.432)	0.049 (0.278)	20.401 (3.592)	0.048 (0.272)	20.91 (3.681)	0.047 (0.266)	21.391 (3.766)
40" (1016mm)		0.15 pcs/ft <sup>2</sup> (bracket) 1.61 pcs/m <sup>2</sup> (bracket)		0.12 pcs/ft <sup>2</sup> (bracket) 1.31 pcs/m <sup>2</sup> (bracket)		0.1 pcs/ft <sup>2</sup> (bracket) 1.11 pcs/m <sup>2</sup> (bracket)		0.09 pcs/ft <sup>2</sup> (bracket) 1.01 pcs/m <sup>2</sup> (bracket)		0.08 pcs/ft <sup>2</sup> (bracket) 0.91 pcs/m <sup>2</sup> (bracket)	
		0.3 ft/ft <sup>2</sup> (rails) 0.98 m/m <sup>2</sup> (rails)									
	4 (10.2)	0.068 (0.386)	14.713 (2.59)	0.065 (0.37)	15.357 (2.704)	0.063 (0.359)	15.817 (2.785)	0.062 (0.354)	16.068 (2.829)	0.061 (0.348)	16.301 (2.87)
	5 (12.7)	0.058 (0.329)	17.267 (3.04)	0.055 (0.313)	18.138 (3.193)	0.053 (0.303)	18.769 (3.304)	0.052 (0.297)	19.115 (3.365)	0.051 (0.292)	19.438 (3.422)
	6 (15.2)	0.051 (0.29)	19.594 (3.45)	0.048 (0.274)	20.711 (3.646)	0.046 (0.264)	21.527 (3.79)	0.045 (0.258)	21.978 (3.869)	0.045 (0.254)	22.401 (3.944)

\*Between insulation thicknesses the values can be interpolated

# R-VALUE TABLES

## Fox HI Concrete 12" (304.8mm)

**Brackets:** Horizontal aluminum brackets + isolator

**Base Material:** Concrete 12" (304.8mm)

Horizontal Stud to Stud Spacing	Exterior Insulation Thickness <sup>a</sup> in. (cm)	Vertical Bracket to Bracket Spacing									
		24" Vertical (609.6mm)		30" Vertical (762mm)		36" Vertical (914.4mm)		42" Vertical (1066.8mm)		48" Vertical (1219.2mm)	
		Effective U-Value BTU/h·ft <sup>2</sup> ·°F (W/m <sup>2</sup> K)	Effective R-Value h·ft <sup>2</sup> ·°F/ BTU (m <sup>2</sup> K/W)	Effective U-Value BTU/h·ft <sup>2</sup> ·°F (W/m <sup>2</sup> K)	Effective R-Value h·ft <sup>2</sup> ·°F/ BTU (m <sup>2</sup> K/W)	Effective U-Value BTU/h·ft <sup>2</sup> ·°F (W/m <sup>2</sup> K)	Effective R-Value h·ft <sup>2</sup> ·°F/ BTU (m <sup>2</sup> K/W)	Effective U-Value BTU/h·ft <sup>2</sup> ·°F (W/m <sup>2</sup> K)	Effective R-Value h·ft <sup>2</sup> ·°F/ BTU (m <sup>2</sup> K/W)	Effective U-Value BTU/h·ft <sup>2</sup> ·°F (W/m <sup>2</sup> K)	Effective R-Value h·ft <sup>2</sup> ·°F/ BTU (m <sup>2</sup> K/W)
16" (406.4mm)		0.38 pcs/ft <sup>2</sup> (bracket) 4.04 pcs/m <sup>2</sup> (bracket)		0.3 pcs/ft <sup>2</sup> (bracket) 3.28 pcs/m <sup>2</sup> (bracket)		0.26 pcs/ft <sup>2</sup> (bracket) 2.78 pcs/m <sup>2</sup> (bracket)		0.23 pcs/ft <sup>2</sup> (bracket) 2.52 pcs/m <sup>2</sup> (bracket)		0.21 pcs/ft <sup>2</sup> (bracket) 2.28 pcs/m <sup>2</sup> (bracket)	
		0.75 ft/ft <sup>2</sup> (rails) 2.46 m/m <sup>2</sup> (rails)									
	4 (10.2)	0.091 (0.518)	10.97 (1.931)	0.084 (0.477)	11.899 (2.095)	0.079 (0.45)	12.61 (2.22)	0.077 (0.436)	13.015 (2.291)	0.075 (0.424)	13.403 (2.36)
	5 (12.7)	0.08 (0.457)	12.441 (2.19)	0.073 (0.417)	13.62 (2.398)	0.069 (0.391)	14.536 (2.559)	0.066 (0.377)	15.065 (2.652)	0.064 (0.365)	15.575 (2.742)
	6 (15.2)	0.073 (0.415)	13.678 (2.408)	0.066 (0.376)	15.099 (2.658)	0.062 (0.35)	16.219 (2.856)	0.059 (0.337)	16.872 (2.97)	0.057 (0.324)	17.507 (3.082)
24" (609.6mm)		0.25 pcs/ft <sup>2</sup> (bracket) 2.69 pcs/m <sup>2</sup> (bracket)		0.2 pcs/ft <sup>2</sup> (bracket) 2.19 pcs/m <sup>2</sup> (bracket)		0.17 pcs/ft <sup>2</sup> (bracket) 1.85 pcs/m <sup>2</sup> (bracket)		0.16 pcs/ft <sup>2</sup> (bracket) 1.68 pcs/m <sup>2</sup> (bracket)		0.14 pcs/ft <sup>2</sup> (bracket) 1.52 pcs/m <sup>2</sup> (bracket)	
		0.5 ft/ft <sup>2</sup> (rails) 1.64 m/m <sup>2</sup> (rails)									
	4 (10.2)	0.078 (0.443)	12.81 (2.255)	0.073 (0.416)	13.639 (2.401)	0.07 (0.399)	14.252 (2.509)	0.069 (0.389)	14.595 (2.569)	0.067 (0.381)	14.918 (2.626)
	5 (12.7)	0.068 (0.385)	14.758 (2.598)	0.063 (0.359)	15.842 (2.789)	0.06 (0.341)	16.657 (2.933)	0.058 (0.332)	17.115 (3.013)	0.057 (0.324)	17.551 (3.09)
	6 (15.2)	0.061 (0.345)	16.462 (2.898)	0.056 (0.319)	17.806 (3.135)	0.053 (0.302)	18.829 (3.315)	0.052 (0.293)	19.41 (3.417)	0.05 (0.284)	19.965 (3.515)
32" (812.8mm)		0.19 pcs/ft <sup>2</sup> (bracket) 2.02 pcs/m <sup>2</sup> (bracket)		0.15 pcs/ft <sup>2</sup> (bracket) 1.64 pcs/m <sup>2</sup> (bracket)		0.13 pcs/ft <sup>2</sup> (bracket) 1.39 pcs/m <sup>2</sup> (bracket)		0.12 pcs/ft <sup>2</sup> (bracket) 1.26 pcs/m <sup>2</sup> (bracket)		0.11 pcs/ft <sup>2</sup> (bracket) 1.14 pcs/m <sup>2</sup> (bracket)	
		0.38 ft/ft <sup>2</sup> (rails) 1.23 m/m <sup>2</sup> (rails)									
	4 (10.2)	0.072 (0.406)	13.982 (2.462)	0.068 (0.386)	14.714 (2.591)	0.066 (0.373)	15.245 (2.684)	0.064 (0.366)	15.538 (2.736)	0.063 (0.359)	15.811 (2.784)
	5 (12.7)	0.061 (0.349)	16.273 (2.865)	0.058 (0.329)	17.25 (3.037)	0.056 (0.316)	17.967 (3.163)	0.054 (0.309)	18.365 (3.233)	0.053 (0.303)	18.739 (3.299)
	6 (15.2)	0.055 (0.31)	18.327 (3.227)	0.051 (0.29)	19.559 (3.444)	0.049 (0.277)	20.476 (3.605)	0.048 (0.271)	20.988 (3.695)	0.047 (0.265)	21.473 (3.78)
40" (1016mm)		0.15 pcs/ft <sup>2</sup> (bracket) 1.61 pcs/m <sup>2</sup> (bracket)		0.12 pcs/ft <sup>2</sup> (bracket) 1.31 pcs/m <sup>2</sup> (bracket)		0.1 pcs/ft <sup>2</sup> (bracket) 1.11 pcs/m <sup>2</sup> (bracket)		0.09 pcs/ft <sup>2</sup> (bracket) 1.01 pcs/m <sup>2</sup> (bracket)		0.08 pcs/ft <sup>2</sup> (bracket) 0.91 pcs/m <sup>2</sup> (bracket)	
		0.3 ft/ft <sup>2</sup> (rails) 0.98 m/m <sup>2</sup> (rails)									
	4 (10.2)	0.068 (0.384)	14.795 (2.605)	0.065 (0.368)	15.445 (2.719)	0.063 (0.357)	15.911 (2.801)	0.062 (0.351)	16.164 (2.846)	0.061 (0.346)	16.4 (2.887)
	5 (12.7)	0.058 (0.328)	17.341 (3.053)	0.055 (0.312)	18.221 (3.208)	0.053 (0.301)	18.857 (3.32)	0.052 (0.296)	19.207 (3.381)	0.051 (0.291)	19.533 (3.439)
	6 (15.2)	0.051 (0.289)	19.663 (3.462)	0.048 (0.273)	20.788 (3.66)	0.046 (0.263)	21.61 (3.805)	0.045 (0.257)	22.065 (3.885)	0.044 (0.253)	22.492 (3.96)

<sup>a</sup>Between insulation thicknesses the values can be interpolated

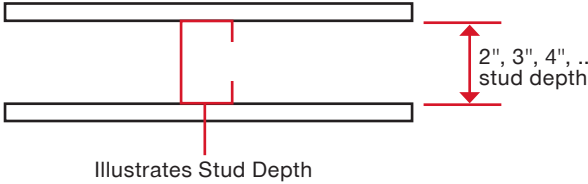


# R-VALUE TABLES

## Fox HI Metal Studs (Insulated) 2" (50.8mm)

**Brackets:** Horizontal aluminum brackets + isolator

**Base Material:** Metal studs (insulated)



Horizontal Stud to Stud Spacing	Exterior Insulation Thickness <sup>1</sup> in. (cm)	Vertical Bracket to Bracket Spacing									
		24" Vertical (609.6mm)		30" Vertical (762mm)		36" Vertical (914.4mm)		42" Vertical (1066.8mm)		48" Vertical (1219.2mm)	
		Effective U-Value BTU/h*ft <sup>2</sup> *°F (W/m <sup>2</sup> K)	Effective R-Value h*ft <sup>2</sup> *°F/ BTU (m <sup>2</sup> K/W)	Effective U-Value BTU/h*ft <sup>2</sup> *°F (W/m <sup>2</sup> K)	Effective R-Value h*ft <sup>2</sup> *°F/ BTU (m <sup>2</sup> K/W)	Effective U-Value BTU/h*ft <sup>2</sup> *°F (W/m <sup>2</sup> K)	Effective R-Value h*ft <sup>2</sup> *°F/ BTU (m <sup>2</sup> K/W)	Effective U-Value BTU/h*ft <sup>2</sup> *°F (W/m <sup>2</sup> K)	Effective R-Value h*ft <sup>2</sup> *°F/ BTU (m <sup>2</sup> K/W)	Effective U-Value BTU/h*ft <sup>2</sup> *°F (W/m <sup>2</sup> K)	Effective R-Value h*ft <sup>2</sup> *°F/ BTU (m <sup>2</sup> K/W)
16" (406.4mm)		0.38 pcs/ft <sup>2</sup> (bracket) 4.04 pcs/m <sup>2</sup> (bracket)		0.3 pcs/ft <sup>2</sup> (bracket) 3.28 pcs/m <sup>2</sup> (bracket)		0.26 pcs/ft <sup>2</sup> (bracket) 2.78 pcs/m <sup>2</sup> (bracket)		0.23 pcs/ft <sup>2</sup> (bracket) 2.52 pcs/m <sup>2</sup> (bracket)		0.21 pcs/ft <sup>2</sup> (bracket) 2.28 pcs/m <sup>2</sup> (bracket)	
		0.75 ft/ft <sup>2</sup> (rails) 2.46 m/m <sup>2</sup> (rails)									
	4 (10.2)	0.056 (0.321)	17.711 (3.118)	0.053 (0.301)	18.881 (3.324)	0.051 (0.288)	19.749 (3.477)	0.049 (0.281)	20.234 (3.562)	0.048 (0.275)	20.691 (3.643)
	5 (12.7)	0.054 (0.305)	18.597 (3.274)	0.05 (0.283)	20.099 (3.538)	0.047 (0.267)	21.24 (3.739)	0.046 (0.26)	21.888 (3.853)	0.044 (0.252)	22.506 (3.962)
	6 (15.2)	0.05 (0.283)	20.041 (3.528)	0.046 (0.26)	21.814 (3.841)	0.043 (0.245)	23.18 (4.081)	0.042 (0.237)	23.961 (4.219)	0.04 (0.23)	24.712 (4.351)
24" (609.6mm)		0.25 pcs/ft <sup>2</sup> (bracket) 2.69 pcs/m <sup>2</sup> (bracket)		0.2 pcs/ft <sup>2</sup> (bracket) 2.19 pcs/m <sup>2</sup> (bracket)		0.17 pcs/ft <sup>2</sup> (bracket) 1.85 pcs/m <sup>2</sup> (bracket)		0.16 pcs/ft <sup>2</sup> (bracket) 1.68 pcs/m <sup>2</sup> (bracket)		0.14 pcs/ft <sup>2</sup> (bracket) 1.52 pcs/m <sup>2</sup> (bracket)	
		0.5 ft/ft <sup>2</sup> (rails) 1.64 m/m <sup>2</sup> (rails)									
	4 (10.2)	0.05 (0.283)	20.075 (3.534)	0.047 (0.27)	21.061 (3.708)	0.046 (0.261)	21.772 (3.833)	0.045 (0.256)	22.163 (3.902)	0.044 (0.252)	22.527 (3.966)
	5 (12.7)	0.046 (0.263)	21.558 (3.795)	0.044 (0.248)	22.879 (4.028)	0.042 (0.238)	23.851 (4.199)	0.041 (0.233)	24.392 (4.294)	0.04 (0.228)	24.9 (4.384)
	6 (15.2)	0.043 (0.242)	23.497 (4.137)	0.04 (0.226)	25.092 (4.418)	0.038 (0.216)	26.279 (4.627)	0.037 (0.211)	26.943 (4.743)	0.036 (0.206)	27.571 (4.854)
32" (812.8mm)		0.19 pcs/ft <sup>2</sup> (bracket) 2.02 pcs/m <sup>2</sup> (bracket)		0.15 pcs/ft <sup>2</sup> (bracket) 1.64 pcs/m <sup>2</sup> (bracket)		0.13 pcs/ft <sup>2</sup> (bracket) 1.39 pcs/m <sup>2</sup> (bracket)		0.12 pcs/ft <sup>2</sup> (bracket) 1.26 pcs/m <sup>2</sup> (bracket)		0.11 pcs/ft <sup>2</sup> (bracket) 1.14 pcs/m <sup>2</sup> (bracket)	
		0.38 ft/ft <sup>2</sup> (rails) 1.23 m/m <sup>2</sup> (rails)									
	4 (10.2)	0.046 (0.264)	21.51 (3.787)	0.045 (0.254)	22.351 (3.935)	0.044 (0.248)	22.948 (4.04)	0.043 (0.244)	23.272 (4.097)	0.042 (0.241)	23.572 (4.15)
	5 (12.7)	0.043 (0.243)	23.422 (4.124)	0.041 (0.231)	24.578 (4.327)	0.039 (0.224)	25.413 (4.474)	0.039 (0.22)	25.871 (4.555)	0.038 (0.216)	26.299 (4.63)
	6 (15.2)	0.039 (0.221)	25.715 (4.527)	0.037 (0.209)	27.13 (4.776)	0.036 (0.202)	28.162 (4.958)	0.035 (0.198)	28.731 (5.058)	0.034 (0.194)	29.264 (5.152)
40" (1016mm)		0.15 pcs/ft <sup>2</sup> (bracket) 1.61 pcs/m <sup>2</sup> (bracket)		0.12 pcs/ft <sup>2</sup> (bracket) 1.31 pcs/m <sup>2</sup> (bracket)		0.1 pcs/ft <sup>2</sup> (bracket) 1.11 pcs/m <sup>2</sup> (bracket)		0.09 pcs/ft <sup>2</sup> (bracket) 1.01 pcs/m <sup>2</sup> (bracket)		0.08 pcs/ft <sup>2</sup> (bracket) 0.91 pcs/m <sup>2</sup> (bracket)	
		0.3 ft/ft <sup>2</sup> (rails) 0.98 m/m <sup>2</sup> (rails)									
	4 (10.2)	0.044 (0.253)	22.474 (3.957)	0.043 (0.245)	23.204 (4.085)	0.042 (0.239)	23.717 (4.175)	0.042 (0.237)	23.993 (4.224)	0.041 (0.234)	24.247 (4.269)
	5 (12.7)	0.04 (0.23)	24.704 (4.349)	0.039 (0.221)	25.725 (4.529)	0.038 (0.215)	26.453 (4.657)	0.037 (0.212)	26.849 (4.727)	0.037 (0.209)	27.216 (4.792)
	6 (15.2)	0.037 (0.208)	27.258 (4.799)	0.035 (0.199)	28.52 (5.021)	0.034 (0.193)	29.426 (5.181)	0.033 (0.19)	29.922 (5.268)	0.033 (0.187)	30.383 (5.349)

<sup>1</sup>Between insulation thicknesses the values can be interpolated

# R-VALUE TABLES

## Fox HI Metal Studs (Insulated) 3" (76.2mm)

**Brackets:** Horizontal aluminum brackets + isolator

**Base Material:** Metal studs (insulated)

Horizontal Stud to Stud Spacing	Exterior Insulation Thickness <sup>a</sup> in. (cm)	Vertical Bracket to Bracket Spacing									
		24" Vertical (609.6mm)		30" Vertical (762mm)		36" Vertical (914.4mm)		42" Vertical (1066.8mm)		48" Vertical (1219.2mm)	
		Effective U-Value BTU/h*ft <sup>2</sup> *°F (W/m <sup>2</sup> K)	Effective R-Value h*ft <sup>2</sup> *°F/ BTU (m <sup>2</sup> K/W)	Effective U-Value BTU/h*ft <sup>2</sup> *°F (W/m <sup>2</sup> K)	Effective R-Value h*ft <sup>2</sup> *°F/ BTU (m <sup>2</sup> K/W)	Effective U-Value BTU/h*ft <sup>2</sup> *°F (W/m <sup>2</sup> K)	Effective R-Value h*ft <sup>2</sup> *°F/ BTU (m <sup>2</sup> K/W)	Effective U-Value BTU/h*ft <sup>2</sup> *°F (W/m <sup>2</sup> K)	Effective R-Value h*ft <sup>2</sup> *°F/ BTU (m <sup>2</sup> K/W)	Effective U-Value BTU/h*ft <sup>2</sup> *°F (W/m <sup>2</sup> K)	Effective R-Value h*ft <sup>2</sup> *°F/ BTU (m <sup>2</sup> K/W)
16" (406.4mm)		0.38 pcs/ft <sup>2</sup> (bracket) 4.04 pcs/m <sup>2</sup> (bracket)		0.3 pcs/ft <sup>2</sup> (bracket) 3.28 pcs/m <sup>2</sup> (bracket)		0.26 pcs/ft <sup>2</sup> (bracket) 2.78 pcs/m <sup>2</sup> (bracket)		0.23 pcs/ft <sup>2</sup> (bracket) 2.52 pcs/m <sup>2</sup> (bracket)		0.21 pcs/ft <sup>2</sup> (bracket) 2.28 pcs/m <sup>2</sup> (bracket)	
		0.75 ft/ft <sup>2</sup> (rails) 2.46 m/m <sup>2</sup> (rails)									
	4 (10.2)	0.048 (0.273)	20.821 (3.666)	0.045 (0.254)	22.374 (3.939)	0.042 (0.241)	23.542 (4.145)	0.041 (0.235)	24.2 (4.261)	0.04 (0.229)	24.826 (4.371)
	5 (12.7)	0.047 (0.266)	21.36 (3.761)	0.043 (0.244)	23.25 (4.093)	0.04 (0.23)	24.704 (4.349)	0.039 (0.222)	25.536 (4.496)	0.038 (0.216)	26.336 (4.637)
	6 (15.2)	0.044 (0.25)	22.675 (3.992)	0.04 (0.229)	24.836 (4.373)	0.038 (0.214)	26.518 (4.669)	0.036 (0.207)	27.489 (4.84)	0.035 (0.2)	28.426 (5.005)
24" (609.6mm)		0.25 pcs/ft <sup>2</sup> (bracket) 2.69 pcs/m <sup>2</sup> (bracket)		0.2 pcs/ft <sup>2</sup> (bracket) 2.19 pcs/m <sup>2</sup> (bracket)		0.17 pcs/ft <sup>2</sup> (bracket) 1.85 pcs/m <sup>2</sup> (bracket)		0.16 pcs/ft <sup>2</sup> (bracket) 1.68 pcs/m <sup>2</sup> (bracket)		0.14 pcs/ft <sup>2</sup> (bracket) 1.52 pcs/m <sup>2</sup> (bracket)	
		0.5 ft/ft <sup>2</sup> (rails) 1.64 m/m <sup>2</sup> (rails)									
	4 (10.2)	0.042 (0.237)	23.995 (4.224)	0.039 (0.224)	25.346 (4.462)	0.038 (0.216)	26.333 (4.636)	0.037 (0.211)	26.878 (4.732)	0.037 (0.207)	27.39 (4.822)
	5 (12.7)	0.04 (0.226)	25.119 (4.422)	0.037 (0.212)	26.829 (4.723)	0.036 (0.202)	28.101 (4.947)	0.035 (0.197)	28.813 (5.073)	0.034 (0.193)	29.487 (5.191)
	6 (15.2)	0.037 (0.211)	26.916 (4.739)	0.035 (0.196)	28.907 (5.089)	0.033 (0.187)	30.404 (5.353)	0.032 (0.182)	31.247 (5.501)	0.031 (0.177)	32.048 (5.642)
32" (812.8mm)		0.19 pcs/ft <sup>2</sup> (bracket) 2.02 pcs/m <sup>2</sup> (bracket)		0.15 pcs/ft <sup>2</sup> (bracket) 1.64 pcs/m <sup>2</sup> (bracket)		0.13 pcs/ft <sup>2</sup> (bracket) 1.39 pcs/m <sup>2</sup> (bracket)		0.12 pcs/ft <sup>2</sup> (bracket) 1.26 pcs/m <sup>2</sup> (bracket)		0.11 pcs/ft <sup>2</sup> (bracket) 1.14 pcs/m <sup>2</sup> (bracket)	
		0.38 ft/ft <sup>2</sup> (rails) 1.23 m/m <sup>2</sup> (rails)									
	4 (10.2)	0.038 (0.219)	25.975 (4.573)	0.037 (0.209)	27.15 (4.78)	0.036 (0.203)	27.993 (4.928)	0.035 (0.2)	28.453 (5.009)	0.035 (0.197)	28.881 (5.085)
	5 (12.7)	0.036 (0.206)	27.543 (4.849)	0.034 (0.195)	29.066 (5.117)	0.033 (0.188)	30.176 (5.313)	0.032 (0.184)	30.789 (5.421)	0.032 (0.181)	31.363 (5.522)
	6 (15.2)	0.034 (0.191)	29.694 (5.228)	0.032 (0.18)	31.488 (5.544)	0.03 (0.173)	32.807 (5.776)	0.03 (0.169)	33.539 (5.905)	0.029 (0.166)	34.228 (6.026)
40" (1016mm)		0.15 pcs/ft <sup>2</sup> (bracket) 1.61 pcs/m <sup>2</sup> (bracket)		0.12 pcs/ft <sup>2</sup> (bracket) 1.31 pcs/m <sup>2</sup> (bracket)		0.1 pcs/ft <sup>2</sup> (bracket) 1.11 pcs/m <sup>2</sup> (bracket)		0.09 pcs/ft <sup>2</sup> (bracket) 1.01 pcs/m <sup>2</sup> (bracket)		0.08 pcs/ft <sup>2</sup> (bracket) 0.91 pcs/m <sup>2</sup> (bracket)	
		0.3 ft/ft <sup>2</sup> (rails) 0.98 m/m <sup>2</sup> (rails)									
	4 (10.2)	0.037 (0.208)	27.328 (4.811)	0.035 (0.2)	28.361 (4.993)	0.034 (0.195)	29.093 (5.122)	0.034 (0.193)	29.489 (5.192)	0.033 (0.19)	29.856 (5.256)
	5 (12.7)	0.034 (0.194)	29.235 (5.147)	0.033 (0.186)	30.596 (5.387)	0.032 (0.18)	31.575 (5.559)	0.031 (0.177)	32.11 (5.653)	0.031 (0.174)	32.608 (5.741)
	6 (15.2)	0.032 (0.179)	31.653 (5.573)	0.03 (0.171)	33.27 (5.857)	0.029 (0.165)	34.44 (6.063)	0.029 (0.162)	35.084 (6.177)	0.028 (0.159)	35.685 (6.282)

<sup>a</sup>Between insulation thicknesses the values can be interpolated

# R-VALUE TABLES

## Fox HI Metal Studs (Insulated) 4" (101.6mm)

**Brackets:** Horizontal aluminum brackets + isolator

**Base Material:** Metal studs (insulated)

Horizontal Stud to Stud Spacing	Exterior Insulation Thickness <sup>1</sup> in. (cm)	Vertical Bracket to Bracket Spacing									
		24" Vertical (609.6mm)		30" Vertical (762mm)		36" Vertical (914.4mm)		42" Vertical (1066.8mm)		48" Vertical (1219.2mm)	
		Effective U-Value BTU/h*ft <sup>2</sup> *°F (W/m <sup>2</sup> K)	Effective R-Value h*ft <sup>2</sup> *°F/ BTU (m <sup>2</sup> K/W)	Effective U-Value BTU/h*ft <sup>2</sup> *°F (W/m <sup>2</sup> K)	Effective R-Value h*ft <sup>2</sup> *°F/ BTU (m <sup>2</sup> K/W)	Effective U-Value BTU/h*ft <sup>2</sup> *°F (W/m <sup>2</sup> K)	Effective R-Value h*ft <sup>2</sup> *°F/ BTU (m <sup>2</sup> K/W)	Effective U-Value BTU/h*ft <sup>2</sup> *°F (W/m <sup>2</sup> K)	Effective R-Value h*ft <sup>2</sup> *°F/ BTU (m <sup>2</sup> K/W)	Effective U-Value BTU/h*ft <sup>2</sup> *°F (W/m <sup>2</sup> K)	Effective R-Value h*ft <sup>2</sup> *°F/ BTU (m <sup>2</sup> K/W)
16" (406.4mm)		0.38 pcs/ft <sup>2</sup> (bracket) 4.04 pcs/m <sup>2</sup> (bracket)		0.3 pcs/ft <sup>2</sup> (bracket) 3.28 pcs/m <sup>2</sup> (bracket)		0.26 pcs/ft <sup>2</sup> (bracket) 2.78 pcs/m <sup>2</sup> (bracket)		0.23 pcs/ft <sup>2</sup> (bracket) 2.52 pcs/m <sup>2</sup> (bracket)		0.21 pcs/ft <sup>2</sup> (bracket) 2.28 pcs/m <sup>2</sup> (bracket)	
		0.75 ft/ft <sup>2</sup> (rails) 2.46 m/m <sup>2</sup> (rails)									
	4 (10.2)	0.041 (0.236)	24.1 (4.243)	0.038 (0.218)	26.091 (4.593)	0.036 (0.206)	27.608 (4.861)	0.035 (0.199)	28.472 (5.013)	0.034 (0.194)	29.297 (5.158)
	5 (12.7)	0.041 (0.233)	24.328 (4.283)	0.038 (0.213)	26.658 (4.693)	0.035 (0.199)	28.472 (5.013)	0.034 (0.192)	29.519 (5.197)	0.033 (0.186)	30.531 (5.375)
	6 (15.2)	0.039 (0.222)	25.545 (4.497)	0.036 (0.202)	28.147 (4.955)	0.033 (0.188)	30.193 (5.316)	0.032 (0.181)	31.382 (5.525)	0.031 (0.175)	32.537 (5.728)
24" (609.6mm)		0.25 pcs/ft <sup>2</sup> (bracket) 2.69 pcs/m <sup>2</sup> (bracket)		0.2 pcs/ft <sup>2</sup> (bracket) 2.19 pcs/m <sup>2</sup> (bracket)		0.17 pcs/ft <sup>2</sup> (bracket) 1.85 pcs/m <sup>2</sup> (bracket)		0.16 pcs/ft <sup>2</sup> (bracket) 1.68 pcs/m <sup>2</sup> (bracket)		0.14 pcs/ft <sup>2</sup> (bracket) 1.52 pcs/m <sup>2</sup> (bracket)	
		0.5 ft/ft <sup>2</sup> (rails) 1.64 m/m <sup>2</sup> (rails)									
	4 (10.2)	0.035 (0.201)	28.219 (4.968)	0.033 (0.189)	30.006 (5.283)	0.032 (0.181)	31.326 (5.515)	0.031 (0.177)	32.062 (5.645)	0.031 (0.173)	32.755 (5.767)
	5 (12.7)	0.034 (0.196)	29.005 (5.106)	0.032 (0.182)	31.169 (5.488)	0.03 (0.173)	32.798 (5.774)	0.03 (0.168)	33.717 (5.936)	0.029 (0.164)	34.59 (6.09)
	6 (15.2)	0.033 (0.185)	30.687 (5.403)	0.03 (0.171)	33.14 (5.834)	0.029 (0.162)	35.002 (6.162)	0.028 (0.158)	36.058 (6.348)	0.027 (0.153)	37.065 (6.526)
32" (812.8mm)		0.19 pcs/ft <sup>2</sup> (bracket) 2.02 pcs/m <sup>2</sup> (bracket)		0.15 pcs/ft <sup>2</sup> (bracket) 1.64 pcs/m <sup>2</sup> (bracket)		0.13 pcs/ft <sup>2</sup> (bracket) 1.39 pcs/m <sup>2</sup> (bracket)		0.12 pcs/ft <sup>2</sup> (bracket) 1.26 pcs/m <sup>2</sup> (bracket)		0.11 pcs/ft <sup>2</sup> (bracket) 1.14 pcs/m <sup>2</sup> (bracket)	
		0.38 ft/ft <sup>2</sup> (rails) 1.23 m/m <sup>2</sup> (rails)									
	4 (10.2)	0.032 (0.184)	30.856 (5.432)	0.031 (0.175)	32.44 (5.711)	0.03 (0.169)	33.588 (5.913)	0.029 (0.166)	34.219 (6.024)	0.029 (0.163)	34.809 (6.128)
	5 (12.7)	0.031 (0.177)	32.088 (5.649)	0.029 (0.167)	34.051 (5.995)	0.028 (0.16)	35.495 (6.249)	0.028 (0.156)	36.298 (6.39)	0.027 (0.153)	37.053 (6.523)
	6 (15.2)	0.029 (0.166)	34.12 (6.007)	0.027 (0.156)	36.365 (6.402)	0.026 (0.149)	38.03 (6.695)	0.026 (0.146)	38.96 (6.859)	0.025 (0.143)	39.837 (7.014)
40" (1016mm)		0.15 pcs/ft <sup>2</sup> (bracket) 1.61 pcs/m <sup>2</sup> (bracket)		0.12 pcs/ft <sup>2</sup> (bracket) 1.31 pcs/m <sup>2</sup> (bracket)		0.1 pcs/ft <sup>2</sup> (bracket) 1.11 pcs/m <sup>2</sup> (bracket)		0.09 pcs/ft <sup>2</sup> (bracket) 1.01 pcs/m <sup>2</sup> (bracket)		0.08 pcs/ft <sup>2</sup> (bracket) 0.91 pcs/m <sup>2</sup> (bracket)	
		0.3 ft/ft <sup>2</sup> (rails) 0.98 m/m <sup>2</sup> (rails)									
	4 (10.2)	0.031 (0.174)	32.688 (5.755)	0.029 (0.167)	34.1 (6.004)	0.028 (0.162)	35.109 (6.181)	0.028 (0.159)	35.659 (6.278)	0.028 (0.157)	36.169 (6.368)
	5 (12.7)	0.029 (0.166)	34.275 (6.034)	0.028 (0.158)	36.05 (6.347)	0.027 (0.152)	37.337 (6.573)	0.026 (0.149)	38.045 (6.698)	0.026 (0.147)	38.706 (6.814)
	6 (15.2)	0.027 (0.155)	36.576 (6.439)	0.026 (0.147)	38.62 (6.799)	0.025 (0.142)	40.112 (7.062)	0.024 (0.139)	40.936 (7.207)	0.024 (0.136)	41.709 (7.343)

<sup>1</sup>Between insulation thicknesses the values can be interpolated

# R-VALUE TABLES

## Fox HI Metal Studs (Insulated) 5" (127mm)

**Brackets:** Horizontal aluminum brackets + isolator

**Base Material:** Metal studs (insulated)

Horizontal Stud to Stud Spacing	Exterior Insulation Thickness* in. (cm)	Vertical Bracket to Bracket Spacing									
		24" Vertical (609.6mm)		30" Vertical (762mm)		36" Vertical (914.4mm)		42" Vertical (1066.8mm)		48" Vertical (1219.2mm)	
		Effective U-Value BTU/h*ft <sup>2</sup> *°F (W/m <sup>2</sup> K)	Effective R-Value h*ft <sup>2</sup> *°F/ BTU (m <sup>2</sup> K/W)	Effective U-Value BTU/h*ft <sup>2</sup> *°F (W/m <sup>2</sup> K)	Effective R-Value h*ft <sup>2</sup> *°F/ BTU (m <sup>2</sup> K/W)	Effective U-Value BTU/h*ft <sup>2</sup> *°F (W/m <sup>2</sup> K)	Effective R-Value h*ft <sup>2</sup> *°F/ BTU (m <sup>2</sup> K/W)	Effective U-Value BTU/h*ft <sup>2</sup> *°F (W/m <sup>2</sup> K)	Effective R-Value h*ft <sup>2</sup> *°F/ BTU (m <sup>2</sup> K/W)	Effective U-Value BTU/h*ft <sup>2</sup> *°F (W/m <sup>2</sup> K)	Effective R-Value h*ft <sup>2</sup> *°F/ BTU (m <sup>2</sup> K/W)
16" (406.4mm)		0.38 pcs/ft <sup>2</sup> (bracket) 4.04 pcs/m <sup>2</sup> (bracket)		0.3 pcs/ft <sup>2</sup> (bracket) 3.28 pcs/m <sup>2</sup> (bracket)		0.26 pcs/ft <sup>2</sup> (bracket) 2.78 pcs/m <sup>2</sup> (bracket)		0.23 pcs/ft <sup>2</sup> (bracket) 2.52 pcs/m <sup>2</sup> (bracket)		0.21 pcs/ft <sup>2</sup> (bracket) 2.28 pcs/m <sup>2</sup> (bracket)	
		0.75 ft/ft <sup>2</sup> (rails) 2.46 m/m <sup>2</sup> (rails)									
	4 (10.2)	0.039 (0.221)	25.737 (4.531)	0.036 (0.203)	27.937 (4.919)	0.034 (0.192)	29.622 (5.215)	0.033 (0.186)	30.583 (5.384)	0.032 (0.18)	31.505 (5.547)
	5 (12.7)	0.04 (0.226)	25.147 (4.427)	0.036 (0.205)	27.7 (4.877)	0.034 (0.191)	29.707 (5.203)	0.032 (0.184)	30.872 (5.435)	0.031 (0.177)	32.004 (5.635)
	6 (15.2)	0.038 (0.218)	26.047 (4.586)	0.035 (0.197)	28.868 (5.082)	0.032 (0.183)	31.1 (5.477)	0.031 (0.175)	32.422 (5.708)	0.03 (0.169)	33.703 (5.934)
24" (609.6mm)		0.25 pcs/ft <sup>2</sup> (bracket) 2.69 pcs/m <sup>2</sup> (bracket)		0.2 pcs/ft <sup>2</sup> (bracket) 2.19 pcs/m <sup>2</sup> (bracket)		0.17 pcs/ft <sup>2</sup> (bracket) 1.85 pcs/m <sup>2</sup> (bracket)		0.16 pcs/ft <sup>2</sup> (bracket) 1.68 pcs/m <sup>2</sup> (bracket)		0.14 pcs/ft <sup>2</sup> (bracket) 1.52 pcs/m <sup>2</sup> (bracket)	
		0.5 ft/ft <sup>2</sup> (rails) 1.64 m/m <sup>2</sup> (rails)									
	4 (10.2)	0.033 (0.187)	30.315 (5.337)	0.031 (0.176)	32.313 (5.689)	0.03 (0.168)	33.795 (5.95)	0.029 (0.164)	34.623 (6.096)	0.028 (0.16)	35.404 (6.233)
	5 (12.7)	0.033 (0.187)	30.294 (5.334)	0.031 (0.174)	32.716 (5.76)	0.029 (0.164)	34.554 (6.083)	0.028 (0.16)	35.596 (6.267)	0.027 (0.155)	36.591 (6.442)
	6 (15.2)	0.032 (0.179)	31.649 (5.572)	0.029 (0.165)	34.369 (6.051)	0.027 (0.156)	36.454 (6.418)	0.027 (0.151)	37.645 (6.628)	0.026 (0.146)	38.786 (6.829)
32" (812.8mm)		0.19 pcs/ft <sup>2</sup> (bracket) 2.02 pcs/m <sup>2</sup> (bracket)		0.15 pcs/ft <sup>2</sup> (bracket) 1.64 pcs/m <sup>2</sup> (bracket)		0.13 pcs/ft <sup>2</sup> (bracket) 1.39 pcs/m <sup>2</sup> (bracket)		0.12 pcs/ft <sup>2</sup> (bracket) 1.26 pcs/m <sup>2</sup> (bracket)		0.11 pcs/ft <sup>2</sup> (bracket) 1.14 pcs/m <sup>2</sup> (bracket)	
		0.38 ft/ft <sup>2</sup> (rails) 1.23 m/m <sup>2</sup> (rails)									
	4 (10.2)	0.03 (0.171)	33.274 (5.858)	0.029 (0.162)	35.058 (6.172)	0.028 (0.156)	36.356 (6.401)	0.027 (0.153)	37.071 (6.527)	0.026 (0.151)	37.74 (6.644)
	5 (12.7)	0.03 (0.168)	33.749 (5.942)	0.028 (0.158)	35.973 (6.333)	0.027 (0.151)	37.624 (6.624)	0.026 (0.147)	38.545 (6.786)	0.025 (0.144)	39.416 (6.939)
	6 (15.2)	0.028 (0.16)	35.462 (6.243)	0.026 (0.15)	37.989 (6.688)	0.025 (0.142)	39.88 (7.021)	0.024 (0.139)	40.942 (7.208)	0.024 (0.135)	41.949 (7.385)
40" (1016mm)		0.15 pcs/ft <sup>2</sup> (bracket) 1.61 pcs/m <sup>2</sup> (bracket)		0.12 pcs/ft <sup>2</sup> (bracket) 1.31 pcs/m <sup>2</sup> (bracket)		0.1 pcs/ft <sup>2</sup> (bracket) 1.11 pcs/m <sup>2</sup> (bracket)		0.09 pcs/ft <sup>2</sup> (bracket) 1.01 pcs/m <sup>2</sup> (bracket)		0.08 pcs/ft <sup>2</sup> (bracket) 0.91 pcs/m <sup>2</sup> (bracket)	
		0.3 ft/ft <sup>2</sup> (rails) 0.98 m/m <sup>2</sup> (rails)									
	4 (10.2)	0.028 (0.161)	35.344 (6.222)	0.027 (0.154)	36.942 (6.504)	0.026 (0.149)	38.087 (6.706)	0.026 (0.147)	38.713 (6.816)	0.025 (0.145)	39.295 (6.918)
	5 (12.7)	0.028 (0.157)	36.227 (6.378)	0.026 (0.148)	38.259 (6.736)	0.025 (0.143)	39.742 (6.997)	0.025 (0.14)	40.562 (7.141)	0.024 (0.137)	41.33 (7.276)
	6 (15.2)	0.026 (0.149)	38.226 (6.73)	0.025 (0.14)	40.552 (7.139)	0.024 (0.134)	42.263 (7.441)	0.023 (0.131)	43.214 (7.608)	0.023 (0.129)	44.108 (7.765)

\*Between insulation thicknesses the values can be interpolated

# R-VALUE TABLES

## Fox HI Metal Studs (Insulated) 6" (152.4mm)

**Brackets:** Horizontal aluminum brackets + isolator

**Base Material:** Metal studs (insulated)

Horizontal Stud to Stud Spacing	Exterior Insulation Thickness* in. (cm)	Vertical Bracket to Bracket Spacing									
		24" Vertical (609.6mm)		30" Vertical (762mm)		36" Vertical (914.4mm)		42" Vertical (1066.8mm)		48" Vertical (1219.2mm)	
		Effective U-Value BTU/h*ft <sup>2</sup> *°F (W/m <sup>2</sup> K)	Effective R-Value h*ft <sup>2</sup> *°F/ BTU (m <sup>2</sup> K/W)	Effective U-Value BTU/h*ft <sup>2</sup> *°F (W/m <sup>2</sup> K)	Effective R-Value h*ft <sup>2</sup> *°F/ BTU (m <sup>2</sup> K/W)	Effective U-Value BTU/h*ft <sup>2</sup> *°F (W/m <sup>2</sup> K)	Effective R-Value h*ft <sup>2</sup> *°F/ BTU (m <sup>2</sup> K/W)	Effective U-Value BTU/h*ft <sup>2</sup> *°F (W/m <sup>2</sup> K)	Effective R-Value h*ft <sup>2</sup> *°F/ BTU (m <sup>2</sup> K/W)	Effective U-Value BTU/h*ft <sup>2</sup> *°F (W/m <sup>2</sup> K)	Effective R-Value h*ft <sup>2</sup> *°F/ BTU (m <sup>2</sup> K/W)
16" (406.4mm)		0.38 pcs/ft <sup>2</sup> (bracket) 4.04 pcs/m <sup>2</sup> (bracket)		0.3 pcs/ft <sup>2</sup> (bracket) 3.28 pcs/m <sup>2</sup> (bracket)		0.26 pcs/ft <sup>2</sup> (bracket) 2.78 pcs/m <sup>2</sup> (bracket)		0.23 pcs/ft <sup>2</sup> (bracket) 2.52 pcs/m <sup>2</sup> (bracket)		0.21 pcs/ft <sup>2</sup> (bracket) 2.28 pcs/m <sup>2</sup> (bracket)	
		0.75 ft/ft <sup>2</sup> (rails) 2.46 m/m <sup>2</sup> (rails)									
	4 (10.2)	0.037 (0.208)	27.358 (4.817)	0.034 (0.191)	29.762 (5.24)	0.032 (0.18)	31.611 (5.565)	0.031 (0.174)	32.669 (5.752)	0.03 (0.169)	33.685 (5.93)
	5 (12.7)	0.039 (0.22)	25.847 (4.551)	0.035 (0.199)	28.611 (5.037)	0.032 (0.184)	30.804 (5.423)	0.031 (0.177)	32.085 (5.649)	0.03 (0.17)	33.335 (5.869)
	6 (15.2)	0.038 (0.215)	26.425 (4.652)	0.034 (0.193)	29.447 (5.184)	0.031 (0.178)	31.874 (5.612)	0.03 (0.171)	33.304 (5.863)	0.029 (0.164)	34.707 (6.11)
24" (609.6mm)		0.25 pcs/ft <sup>2</sup> (bracket) 2.69 pcs/m <sup>2</sup> (bracket)		0.2 pcs/ft <sup>2</sup> (bracket) 2.19 pcs/m <sup>2</sup> (bracket)		0.17 pcs/ft <sup>2</sup> (bracket) 1.85 pcs/m <sup>2</sup> (bracket)		0.16 pcs/ft <sup>2</sup> (bracket) 1.68 pcs/m <sup>2</sup> (bracket)		0.14 pcs/ft <sup>2</sup> (bracket) 1.52 pcs/m <sup>2</sup> (bracket)	
		0.5 ft/ft <sup>2</sup> (rails) 1.64 m/m <sup>2</sup> (rails)									
	4 (10.2)	0.031 (0.175)	32.388 (5.702)	0.029 (0.164)	34.595 (6.091)	0.028 (0.157)	36.237 (6.38)	0.027 (0.153)	37.156 (6.542)	0.026 (0.149)	38.026 (6.695)
	5 (12.7)	0.032 (0.181)	31.445 (5.536)	0.029 (0.166)	34.118 (6.007)	0.028 (0.157)	36.165 (6.367)	0.027 (0.152)	37.331 (6.572)	0.026 (0.148)	38.45 (6.769)
	6 (15.2)	0.031 (0.175)	32.456 (5.714)	0.028 (0.16)	35.434 (6.238)	0.026 (0.151)	37.739 (6.644)	0.026 (0.145)	39.063 (6.877)	0.025 (0.141)	40.338 (7.102)
32" (812.8mm)		0.19 pcs/ft <sup>2</sup> (bracket) 2.02 pcs/m <sup>2</sup> (bracket)		0.15 pcs/ft <sup>2</sup> (bracket) 1.64 pcs/m <sup>2</sup> (bracket)		0.13 pcs/ft <sup>2</sup> (bracket) 1.39 pcs/m <sup>2</sup> (bracket)		0.12 pcs/ft <sup>2</sup> (bracket) 1.26 pcs/m <sup>2</sup> (bracket)		0.11 pcs/ft <sup>2</sup> (bracket) 1.14 pcs/m <sup>2</sup> (bracket)	
		0.38 ft/ft <sup>2</sup> (rails) 1.23 m/m <sup>2</sup> (rails)									
	4 (10.2)	0.028 (0.159)	35.668 (6.28)	0.027 (0.151)	37.651 (6.629)	0.026 (0.145)	39.097 (6.883)	0.025 (0.142)	39.896 (7.024)	0.025 (0.14)	40.645 (7.156)
	5 (12.7)	0.028 (0.161)	35.263 (6.208)	0.026 (0.15)	37.752 (6.646)	0.025 (0.143)	39.612 (6.974)	0.025 (0.14)	40.655 (7.158)	0.024 (0.136)	41.645 (7.332)
	6 (15.2)	0.027 (0.155)	36.637 (6.45)	0.025 (0.144)	39.444 (6.944)	0.024 (0.137)	41.563 (7.317)	0.023 (0.133)	42.76 (7.528)	0.023 (0.129)	43.9 (7.729)
40" (1016mm)		0.15 pcs/ft <sup>2</sup> (bracket) 1.61 pcs/m <sup>2</sup> (bracket)		0.12 pcs/ft <sup>2</sup> (bracket) 1.31 pcs/m <sup>2</sup> (bracket)		0.1 pcs/ft <sup>2</sup> (bracket) 1.11 pcs/m <sup>2</sup> (bracket)		0.09 pcs/ft <sup>2</sup> (bracket) 1.01 pcs/m <sup>2</sup> (bracket)		0.08 pcs/ft <sup>2</sup> (bracket) 0.91 pcs/m <sup>2</sup> (bracket)	
		0.3 ft/ft <sup>2</sup> (rails) 0.98 m/m <sup>2</sup> (rails)									
	4 (10.2)	0.0263 (0.15)	37.9749 (6.686)	0.0252 (0.143)	39.7586 (7)	0.0244 (0.138)	41.0413 (7.226)	0.024 (0.136)	41.7431 (7.349)	0.0236 (0.134)	42.3967 (7.464)
	5 (12.7)	0.0263 (0.149)	38.0346 (6.696)	0.0248 (0.141)	40.3282 (7.1)	0.0238 (0.135)	42.0141 (7.397)	0.0233 (0.132)	42.9498 (7.562)	0.0228 (0.13)	43.8297 (7.717)
	6 (15.2)	0.0252 (0.143)	39.7063 (6.991)	0.0236 (0.134)	42.3171 (7.45)	0.0226 (0.128)	44.2534 (7.791)	0.0221 (0.125)	45.3344 (7.981)	0.0216 (0.123)	46.3552 (8.161)

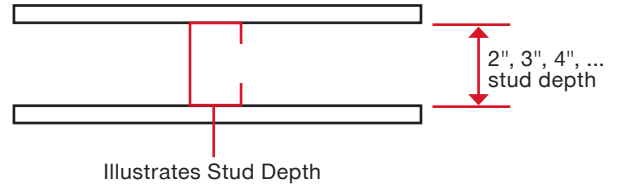
\*Between insulation thicknesses the values can be interpolated

# R-VALUE TABLES

## Fox HI Metal Studs (Not-Insulated) 2" (50.8mm)

**Brackets:** Horizontal aluminum brackets + isolator

**Base Material:** Metal studs (Not-Insulated)



Horizontal Stud to Stud Spacing	Exterior Insulation Thickness <sup>1</sup> in. (cm)	Vertical Bracket to Bracket Spacing									
		24" Vertical (609.6mm)		30" Vertical (762mm)		36" Vertical (914.4mm)		42" Vertical (1066.8mm)		48" Vertical (1219.2mm)	
		Effective U-Value BTU/h*ft <sup>2</sup> *°F (W/m <sup>2</sup> K)	Effective R-Value h*ft <sup>2</sup> *°F/ BTU (m <sup>2</sup> K/W)	Effective U-Value BTU/h*ft <sup>2</sup> *°F (W/m <sup>2</sup> K)	Effective R-Value h*ft <sup>2</sup> *°F/ BTU (m <sup>2</sup> K/W)	Effective U-Value BTU/h*ft <sup>2</sup> *°F (W/m <sup>2</sup> K)	Effective R-Value h*ft <sup>2</sup> *°F/ BTU (m <sup>2</sup> K/W)	Effective U-Value BTU/h*ft <sup>2</sup> *°F (W/m <sup>2</sup> K)	Effective R-Value h*ft <sup>2</sup> *°F/ BTU (m <sup>2</sup> K/W)	Effective U-Value BTU/h*ft <sup>2</sup> *°F (W/m <sup>2</sup> K)	Effective R-Value h*ft <sup>2</sup> *°F/ BTU (m <sup>2</sup> K/W)
16" (406.4mm)		0.38 pcs/ft <sup>2</sup> (bracket) 4.04 pcs/m <sup>2</sup> (bracket)		0.3 pcs/ft <sup>2</sup> (bracket) 3.28 pcs/m <sup>2</sup> (bracket)		0.26 pcs/ft <sup>2</sup> (bracket) 2.78 pcs/m <sup>2</sup> (bracket)		0.23 pcs/ft <sup>2</sup> (bracket) 2.52 pcs/m <sup>2</sup> (bracket)		0.21 pcs/ft <sup>2</sup> (bracket) 2.28 pcs/m <sup>2</sup> (bracket)	
		0.75 ft/ft <sup>2</sup> (rails) 2.46 m/m <sup>2</sup> (rails)									
	4 (10.2)	0.067 (0.382)	14.851 (2.615)	0.064 (0.363)	15.665 (2.758)	0.062 (0.349)	16.258 (2.862)	0.06 (0.342)	16.585 (2.92)	0.059 (0.336)	16.892 (2.974)
	5 (12.7)	0.062 (0.35)	16.231 (2.858)	0.058 (0.327)	17.364 (3.057)	0.055 (0.312)	18.209 (3.206)	0.054 (0.304)	18.683 (3.289)	0.052 (0.297)	19.132 (3.368)
	6 (15.2)	0.056 (0.317)	17.916 (3.154)	0.052 (0.294)	19.32 (3.401)	0.049 (0.279)	20.383 (3.589)	0.048 (0.271)	20.985 (3.695)	0.046 (0.263)	21.559 (3.796)
24" (609.6mm)		0.25 pcs/ft <sup>2</sup> (bracket) 2.69 pcs/m <sup>2</sup> (bracket)		0.2 pcs/ft <sup>2</sup> (bracket) 2.19 pcs/m <sup>2</sup> (bracket)		0.17 pcs/ft <sup>2</sup> (bracket) 1.85 pcs/m <sup>2</sup> (bracket)		0.16 pcs/ft <sup>2</sup> (bracket) 1.68 pcs/m <sup>2</sup> (bracket)		0.14 pcs/ft <sup>2</sup> (bracket) 1.52 pcs/m <sup>2</sup> (bracket)	
		0.5 ft/ft <sup>2</sup> (rails) 1.64 m/m <sup>2</sup> (rails)									
	4 (10.2)	0.061 (0.345)	16.478 (2.901)	0.058 (0.331)	17.137 (3.017)	0.057 (0.323)	17.605 (3.1)	0.056 (0.318)	17.86 (3.144)	0.055 (0.314)	18.095 (3.186)
	5 (12.7)	0.054 (0.308)	18.442 (3.247)	0.052 (0.293)	19.4 (3.416)	0.05 (0.283)	20.095 (3.538)	0.049 (0.277)	20.477 (3.605)	0.048 (0.273)	20.835 (3.668)
	6 (15.2)	0.048 (0.275)	20.628 (3.632)	0.046 (0.26)	21.847 (3.846)	0.044 (0.25)	22.742 (4.004)	0.043 (0.244)	23.237 (4.091)	0.042 (0.24)	23.703 (4.173)
32" (812.8mm)		0.19 pcs/ft <sup>2</sup> (bracket) 2.02 pcs/m <sup>2</sup> (bracket)		0.15 pcs/ft <sup>2</sup> (bracket) 1.64 pcs/m <sup>2</sup> (bracket)		0.13 pcs/ft <sup>2</sup> (bracket) 1.39 pcs/m <sup>2</sup> (bracket)		0.12 pcs/ft <sup>2</sup> (bracket) 1.26 pcs/m <sup>2</sup> (bracket)		0.11 pcs/ft <sup>2</sup> (bracket) 1.14 pcs/m <sup>2</sup> (bracket)	
		0.38 ft/ft <sup>2</sup> (rails) 1.23 m/m <sup>2</sup> (rails)									
	4 (10.2)	0.057 (0.326)	17.434 (3.069)	0.056 (0.316)	17.982 (3.166)	0.054 (0.309)	18.366 (3.234)	0.054 (0.306)	18.573 (3.27)	0.053 (0.303)	18.764 (3.304)
	5 (12.7)	0.051 (0.287)	19.79 (3.484)	0.049 (0.276)	20.609 (3.628)	0.047 (0.268)	21.193 (3.731)	0.046 (0.264)	21.51 (3.787)	0.046 (0.26)	21.805 (3.839)
	6 (15.2)	0.045 (0.255)	22.318 (3.929)	0.043 (0.243)	23.376 (4.116)	0.041 (0.235)	24.138 (4.25)	0.041 (0.231)	24.555 (4.323)	0.04 (0.228)	24.944 (4.391)
40" (1016mm)		0.15 pcs/ft <sup>2</sup> (bracket) 1.61 pcs/m <sup>2</sup> (bracket)		0.12 pcs/ft <sup>2</sup> (bracket) 1.31 pcs/m <sup>2</sup> (bracket)		0.1 pcs/ft <sup>2</sup> (bracket) 1.11 pcs/m <sup>2</sup> (bracket)		0.09 pcs/ft <sup>2</sup> (bracket) 1.01 pcs/m <sup>2</sup> (bracket)		0.08 pcs/ft <sup>2</sup> (bracket) 0.91 pcs/m <sup>2</sup> (bracket)	
		0.3 ft/ft <sup>2</sup> (rails) 0.98 m/m <sup>2</sup> (rails)									
	4 (10.2)	0.055 (0.314)	18.062 (3.18)	0.054 (0.307)	18.53 (3.262)	0.053 (0.301)	18.855 (3.32)	0.053 (0.298)	19.029 (3.35)	0.052 (0.296)	19.189 (3.378)
	5 (12.7)	0.048 (0.274)	20.697 (3.644)	0.047 (0.265)	21.409 (3.769)	0.046 (0.259)	21.911 (3.858)	0.045 (0.256)	22.182 (3.905)	0.045 (0.253)	22.432 (3.949)
	6 (15.2)	0.043 (0.242)	23.472 (4.132)	0.041 (0.233)	24.401 (4.296)	0.04 (0.227)	25.062 (4.412)	0.039 (0.223)	25.42 (4.475)	0.039 (0.221)	25.752 (4.534)

<sup>1</sup>Between insulation thicknesses the values can be interpolated

# R-VALUE TABLES

## Fox HI Metal Studs (Not-Insulated) 3" (76.2mm)

**Brackets:** Horizontal aluminum brackets + isolator

**Base Material:** Metal studs (Not-Insulated)

Horizontal Stud to Stud Spacing	Exterior Insulation Thickness <sup>1</sup> in. (cm)	Vertical Bracket to Bracket Spacing									
		24" Vertical (609.6mm)		30" Vertical (762mm)		36" Vertical (914.4mm)		42" Vertical (1066.8mm)		48" Vertical (1219.2mm)	
		Effective U-Value BTU/h*ft <sup>2</sup> *°F (W/m <sup>2</sup> K)	Effective R-Value h*ft <sup>2</sup> *°F/ BTU (m <sup>2</sup> K/W)	Effective U-Value BTU/h*ft <sup>2</sup> *°F (W/m <sup>2</sup> K)	Effective R-Value h*ft <sup>2</sup> *°F/ BTU (m <sup>2</sup> K/W)	Effective U-Value BTU/h*ft <sup>2</sup> *°F (W/m <sup>2</sup> K)	Effective R-Value h*ft <sup>2</sup> *°F/ BTU (m <sup>2</sup> K/W)	Effective U-Value BTU/h*ft <sup>2</sup> *°F (W/m <sup>2</sup> K)	Effective R-Value h*ft <sup>2</sup> *°F/ BTU (m <sup>2</sup> K/W)	Effective U-Value BTU/h*ft <sup>2</sup> *°F (W/m <sup>2</sup> K)	Effective R-Value h*ft <sup>2</sup> *°F/ BTU (m <sup>2</sup> K/W)
16" (406.4mm)		0.38 pcs/ft <sup>2</sup> (bracket) 4.04 pcs/m <sup>2</sup> (bracket)		0.3 pcs/ft <sup>2</sup> (bracket) 3.28 pcs/m <sup>2</sup> (bracket)		0.26 pcs/ft <sup>2</sup> (bracket) 2.78 pcs/m <sup>2</sup> (bracket)		0.23 pcs/ft <sup>2</sup> (bracket) 2.52 pcs/m <sup>2</sup> (bracket)		0.21 pcs/ft <sup>2</sup> (bracket) 2.28 pcs/m <sup>2</sup> (bracket)	
		0.75 ft/ft <sup>2</sup> (rails) 2.46 m/m <sup>2</sup> (rails)									
	4 (10.2)	0.066 (0.374)	15.179 (2.672)	0.063 (0.355)	15.988 (2.815)	0.06 (0.343)	16.576 (2.918)	0.059 (0.336)	16.9 (2.975)	0.058 (0.33)	17.202 (3.029)
	5 (12.7)	0.06 (0.341)	16.645 (2.93)	0.056 (0.32)	17.77 (3.129)	0.054 (0.305)	18.608 (3.276)	0.052 (0.298)	19.076 (3.358)	0.051 (0.291)	19.519 (3.436)
	6 (15.2)	0.054 (0.309)	18.397 (3.239)	0.051 (0.287)	19.795 (3.485)	0.048 (0.272)	20.849 (3.671)	0.047 (0.265)	21.444 (3.775)	0.045 (0.258)	22.011 (3.875)
24" (609.6mm)		0.25 pcs/ft <sup>2</sup> (bracket) 2.69 pcs/m <sup>2</sup> (bracket)		0.2 pcs/ft <sup>2</sup> (bracket) 2.19 pcs/m <sup>2</sup> (bracket)		0.17 pcs/ft <sup>2</sup> (bracket) 1.85 pcs/m <sup>2</sup> (bracket)		0.16 pcs/ft <sup>2</sup> (bracket) 1.68 pcs/m <sup>2</sup> (bracket)		0.14 pcs/ft <sup>2</sup> (bracket) 1.52 pcs/m <sup>2</sup> (bracket)	
		0.5 ft/ft <sup>2</sup> (rails) 1.64 m/m <sup>2</sup> (rails)									
	4 (10.2)	0.06 (0.338)	16.799 (2.958)	0.057 (0.325)	17.451 (3.072)	0.056 (0.317)	17.913 (3.154)	0.055 (0.313)	18.164 (3.198)	0.054 (0.309)	18.396 (3.239)
	5 (12.7)	0.053 (0.301)	18.842 (3.317)	0.051 (0.287)	19.788 (3.484)	0.049 (0.277)	20.472 (3.604)	0.048 (0.272)	20.847 (3.67)	0.047 (0.268)	21.198 (3.732)
	6 (15.2)	0.047 (0.269)	21.094 (3.714)	0.045 (0.255)	22.298 (3.926)	0.043 (0.245)	23.178 (4.081)	0.042 (0.24)	23.665 (4.166)	0.041 (0.235)	24.121 (4.247)
32" (812.8mm)		0.19 pcs/ft <sup>2</sup> (bracket) 2.02 pcs/m <sup>2</sup> (bracket)		0.15 pcs/ft <sup>2</sup> (bracket) 1.64 pcs/m <sup>2</sup> (bracket)		0.13 pcs/ft <sup>2</sup> (bracket) 1.39 pcs/m <sup>2</sup> (bracket)		0.12 pcs/ft <sup>2</sup> (bracket) 1.26 pcs/m <sup>2</sup> (bracket)		0.11 pcs/ft <sup>2</sup> (bracket) 1.14 pcs/m <sup>2</sup> (bracket)	
		0.38 ft/ft <sup>2</sup> (rails) 1.23 m/m <sup>2</sup> (rails)									
	4 (10.2)	0.056 (0.32)	17.746 (3.124)	0.055 (0.311)	18.287 (3.22)	0.054 (0.304)	18.666 (3.286)	0.053 (0.301)	18.869 (3.322)	0.052 (0.298)	19.056 (3.355)
	5 (12.7)	0.05 (0.282)	20.174 (3.552)	0.048 (0.271)	20.979 (3.693)	0.046 (0.264)	21.551 (3.794)	0.046 (0.26)	21.862 (3.849)	0.045 (0.256)	22.15 (3.9)
	6 (15.2)	0.044 (0.25)	22.763 (4.008)	0.042 (0.239)	23.803 (4.191)	0.041 (0.231)	24.549 (4.322)	0.04 (0.228)	24.957 (4.394)	0.039 (0.224)	25.336 (4.461)
40" (1016mm)		0.15 pcs/ft <sup>2</sup> (bracket) 1.61 pcs/m <sup>2</sup> (bracket)		0.12 pcs/ft <sup>2</sup> (bracket) 1.31 pcs/m <sup>2</sup> (bracket)		0.1 pcs/ft <sup>2</sup> (bracket) 1.11 pcs/m <sup>2</sup> (bracket)		0.09 pcs/ft <sup>2</sup> (bracket) 1.01 pcs/m <sup>2</sup> (bracket)		0.08 pcs/ft <sup>2</sup> (bracket) 0.91 pcs/m <sup>2</sup> (bracket)	
		0.3 ft/ft <sup>2</sup> (rails) 0.98 m/m <sup>2</sup> (rails)									
	4 (10.2)	0.054 (0.309)	18.368 (3.234)	0.053 (0.302)	18.829 (3.315)	0.052 (0.297)	19.148 (3.371)	0.052 (0.294)	19.319 (3.401)	0.051 (0.292)	19.476 (3.429)
	5 (12.7)	0.047 (0.27)	21.067 (3.709)	0.046 (0.261)	21.765 (3.832)	0.045 (0.255)	22.255 (3.918)	0.044 (0.252)	22.52 (3.965)	0.044 (0.25)	22.764 (4.008)
	6 (15.2)	0.042 (0.238)	23.897 (4.207)	0.04 (0.229)	24.807 (4.367)	0.039 (0.223)	25.452 (4.481)	0.039 (0.22)	25.802 (4.543)	0.038 (0.217)	26.125 (4.6)

<sup>1</sup>Between insulation thicknesses the values can be interpolated

# R-VALUE TABLES

## Fox HI Metal Studs (Not-Insulated) 4" (101.6mm)

**Brackets:** Horizontal aluminum brackets + isolator

**Base Material:** Metal studs (Not-Insulated)

Horizontal Stud to Stud Spacing	Exterior Insulation Thickness* in. (cm)	Vertical Bracket to Bracket Spacing									
		24" Vertical (609.6mm)		30" Vertical (762mm)		36" Vertical (914.4mm)		42" Vertical (1066.8mm)		48" Vertical (1219.2mm)	
		Effective U-Value BTU/h*ft <sup>2</sup> *°F (W/m <sup>2</sup> K)	Effective R-Value h*ft <sup>2</sup> *°F/ BTU (m <sup>2</sup> K/W)	Effective U-Value BTU/h*ft <sup>2</sup> *°F (W/m <sup>2</sup> K)	Effective R-Value h*ft <sup>2</sup> *°F/ BTU (m <sup>2</sup> K/W)	Effective U-Value BTU/h*ft <sup>2</sup> *°F (W/m <sup>2</sup> K)	Effective R-Value h*ft <sup>2</sup> *°F/ BTU (m <sup>2</sup> K/W)	Effective U-Value BTU/h*ft <sup>2</sup> *°F (W/m <sup>2</sup> K)	Effective R-Value h*ft <sup>2</sup> *°F/ BTU (m <sup>2</sup> K/W)	Effective U-Value BTU/h*ft <sup>2</sup> *°F (W/m <sup>2</sup> K)	Effective R-Value h*ft <sup>2</sup> *°F/ BTU (m <sup>2</sup> K/W)
16" (406.4mm)		0.38 pcs/ft <sup>2</sup> (bracket) 4.04 pcs/m <sup>2</sup> (bracket)		0.3 pcs/ft <sup>2</sup> (bracket) 3.28 pcs/m <sup>2</sup> (bracket)		0.26 pcs/ft <sup>2</sup> (bracket) 2.78 pcs/m <sup>2</sup> (bracket)		0.23 pcs/ft <sup>2</sup> (bracket) 2.52 pcs/m <sup>2</sup> (bracket)		0.21 pcs/ft <sup>2</sup> (bracket) 2.28 pcs/m <sup>2</sup> (bracket)	
		0.75 ft/ft <sup>2</sup> (rails) 2.46 m/m <sup>2</sup> (rails)									
	4 (10.2)	0.064 (0.366)	15.513 (2.731)	0.061 (0.348)	16.315 (2.872)	0.059 (0.336)	16.895 (2.975)	0.058 (0.33)	17.215 (3.031)	0.057 (0.324)	17.513 (3.083)
	5 (12.7)	0.059 (0.333)	17.073 (3.006)	0.055 (0.312)	18.188 (3.202)	0.053 (0.299)	19.015 (3.348)	0.051 (0.292)	19.476 (3.429)	0.05 (0.285)	19.912 (3.506)
	6 (15.2)	0.053 (0.301)	18.9 (3.327)	0.049 (0.28)	20.287 (3.572)	0.047 (0.266)	21.329 (3.755)	0.046 (0.259)	21.916 (3.858)	0.044 (0.253)	22.473 (3.956)
24" (609.6mm)		0.25 pcs/ft <sup>2</sup> (bracket) 2.69 pcs/m <sup>2</sup> (bracket)		0.2 pcs/ft <sup>2</sup> (bracket) 2.19 pcs/m <sup>2</sup> (bracket)		0.17 pcs/ft <sup>2</sup> (bracket) 1.85 pcs/m <sup>2</sup> (bracket)		0.16 pcs/ft <sup>2</sup> (bracket) 1.68 pcs/m <sup>2</sup> (bracket)		0.14 pcs/ft <sup>2</sup> (bracket) 1.52 pcs/m <sup>2</sup> (bracket)	
		0.5 ft/ft <sup>2</sup> (rails) 1.64 m/m <sup>2</sup> (rails)									
	4 (10.2)	0.058 (0.332)	17.122 (3.014)	0.056 (0.32)	17.764 (3.127)	0.055 (0.312)	18.219 (3.208)	0.054 (0.308)	18.465 (3.251)	0.053 (0.304)	18.693 (3.291)
	5 (12.7)	0.052 (0.295)	19.251 (3.389)	0.05 (0.281)	20.182 (3.553)	0.048 (0.272)	20.852 (3.671)	0.047 (0.268)	21.219 (3.736)	0.046 (0.263)	21.562 (3.796)
	6 (15.2)	0.046 (0.263)	21.574 (3.798)	0.044 (0.25)	22.758 (4.007)	0.042 (0.24)	23.621 (4.159)	0.041 (0.236)	24.098 (4.243)	0.041 (0.231)	24.544 (4.321)
32" (812.8mm)		0.19 pcs/ft <sup>2</sup> (bracket) 2.02 pcs/m <sup>2</sup> (bracket)		0.15 pcs/ft <sup>2</sup> (bracket) 1.64 pcs/m <sup>2</sup> (bracket)		0.13 pcs/ft <sup>2</sup> (bracket) 1.39 pcs/m <sup>2</sup> (bracket)		0.12 pcs/ft <sup>2</sup> (bracket) 1.26 pcs/m <sup>2</sup> (bracket)		0.11 pcs/ft <sup>2</sup> (bracket) 1.14 pcs/m <sup>2</sup> (bracket)	
		0.38 ft/ft <sup>2</sup> (rails) 1.23 m/m <sup>2</sup> (rails)									
	4 (10.2)	0.055 (0.315)	18.058 (3.179)	0.054 (0.306)	18.59 (3.273)	0.053 (0.3)	18.961 (3.338)	0.052 (0.296)	19.161 (3.373)	0.052 (0.294)	19.344 (3.406)
	5 (12.7)	0.049 (0.276)	20.563 (3.62)	0.047 (0.266)	21.351 (3.759)	0.046 (0.259)	21.91 (3.857)	0.045 (0.256)	22.214 (3.911)	0.044 (0.253)	22.494 (3.96)
	6 (15.2)	0.043 (0.245)	23.216 (4.087)	0.041 (0.234)	24.234 (4.267)	0.04 (0.228)	24.963 (4.395)	0.039 (0.224)	25.36 (4.465)	0.039 (0.221)	25.729 (4.53)
40" (1016mm)		0.15 pcs/ft <sup>2</sup> (bracket) 1.61 pcs/m <sup>2</sup> (bracket)		0.12 pcs/ft <sup>2</sup> (bracket) 1.31 pcs/m <sup>2</sup> (bracket)		0.1 pcs/ft <sup>2</sup> (bracket) 1.11 pcs/m <sup>2</sup> (bracket)		0.09 pcs/ft <sup>2</sup> (bracket) 1.01 pcs/m <sup>2</sup> (bracket)		0.08 pcs/ft <sup>2</sup> (bracket) 0.91 pcs/m <sup>2</sup> (bracket)	
		0.3 ft/ft <sup>2</sup> (rails) 0.98 m/m <sup>2</sup> (rails)									
	4 (10.2)	0.054 (0.304)	18.671 (3.287)	0.052 (0.297)	19.123 (3.367)	0.051 (0.292)	19.436 (3.422)	0.051 (0.29)	19.604 (3.451)	0.051 (0.287)	19.757 (3.478)
	5 (12.7)	0.047 (0.265)	21.439 (3.775)	0.045 (0.257)	22.121 (3.894)	0.044 (0.251)	22.599 (3.979)	0.044 (0.249)	22.856 (4.024)	0.043 (0.246)	23.093 (4.066)
	6 (15.2)	0.041 (0.233)	24.328 (4.283)	0.04 (0.225)	25.216 (4.439)	0.039 (0.22)	25.843 (4.55)	0.038 (0.217)	26.183 (4.61)	0.038 (0.214)	26.497 (4.665)

\*Between insulation thicknesses the values can be interpolated



# R-VALUE TABLES

## Fox HI Metal Studs (Not-Insulated) 5" (127mm)

**Brackets:** Horizontal aluminum brackets + isolator

**Base Material:** Metal studs (Not-Insulated)

Horizontal Stud to Stud Spacing	Exterior Insulation Thickness <sup>a</sup> in. (cm)	Vertical Bracket to Bracket Spacing									
		24" Vertical (609.6mm)		30" Vertical (762mm)		36" Vertical (914.4mm)		42" Vertical (1066.8mm)		48" Vertical (1219.2mm)	
		Effective U-Value BTU/h*ft <sup>2</sup> *°F (W/m <sup>2</sup> K)	Effective R-Value h*ft <sup>2</sup> *°F/ BTU (m <sup>2</sup> K/W)	Effective U-Value BTU/h*ft <sup>2</sup> *°F (W/m <sup>2</sup> K)	Effective R-Value h*ft <sup>2</sup> *°F/ BTU (m <sup>2</sup> K/W)	Effective U-Value BTU/h*ft <sup>2</sup> *°F (W/m <sup>2</sup> K)	Effective R-Value h*ft <sup>2</sup> *°F/ BTU (m <sup>2</sup> K/W)	Effective U-Value BTU/h*ft <sup>2</sup> *°F (W/m <sup>2</sup> K)	Effective R-Value h*ft <sup>2</sup> *°F/ BTU (m <sup>2</sup> K/W)	Effective U-Value BTU/h*ft <sup>2</sup> *°F (W/m <sup>2</sup> K)	Effective R-Value h*ft <sup>2</sup> *°F/ BTU (m <sup>2</sup> K/W)
16" (406.4mm)		0.38 pcs/ft <sup>2</sup> (bracket) 4.04 pcs/m <sup>2</sup> (bracket)		0.3 pcs/ft <sup>2</sup> (bracket) 3.28 pcs/m <sup>2</sup> (bracket)		0.26 pcs/ft <sup>2</sup> (bracket) 2.78 pcs/m <sup>2</sup> (bracket)		0.23 pcs/ft <sup>2</sup> (bracket) 2.52 pcs/m <sup>2</sup> (bracket)		0.21 pcs/ft <sup>2</sup> (bracket) 2.28 pcs/m <sup>2</sup> (bracket)	
		0.75 ft/ft <sup>2</sup> (rails) 2.46 m/m <sup>2</sup> (rails)									
	4 (10.2)	0.063 (0.36)	15.782 (2.779)	0.06 (0.343)	16.583 (2.92)	0.058 (0.331)	17.162 (3.022)	0.057 (0.325)	17.481 (3.078)	0.056 (0.319)	17.778 (3.13)
	5 (12.7)	0.059 (0.333)	17.067 (3.005)	0.055 (0.312)	18.206 (3.205)	0.052 (0.298)	19.052 (3.354)	0.051 (0.291)	19.525 (3.437)	0.05 (0.284)	19.971 (3.516)
	6 (15.2)	0.053 (0.303)	18.745 (3.3)	0.05 (0.282)	20.163 (3.55)	0.047 (0.268)	21.231 (3.738)	0.046 (0.26)	21.835 (3.844)	0.045 (0.253)	22.408 (3.945)
24" (609.6mm)		0.25 pcs/ft <sup>2</sup> (bracket) 2.69 pcs/m <sup>2</sup> (bracket)		0.2 pcs/ft <sup>2</sup> (bracket) 2.19 pcs/m <sup>2</sup> (bracket)		0.17 pcs/ft <sup>2</sup> (bracket) 1.85 pcs/m <sup>2</sup> (bracket)		0.16 pcs/ft <sup>2</sup> (bracket) 1.68 pcs/m <sup>2</sup> (bracket)		0.14 pcs/ft <sup>2</sup> (bracket) 1.52 pcs/m <sup>2</sup> (bracket)	
		0.5 ft/ft <sup>2</sup> (rails) 1.64 m/m <sup>2</sup> (rails)									
	4 (10.2)	0.057 (0.327)	17.393 (3.062)	0.055 (0.315)	18.032 (3.175)	0.054 (0.307)	18.485 (3.254)	0.053 (0.303)	18.73 (3.297)	0.053 (0.3)	18.956 (3.337)
	5 (12.7)	0.052 (0.294)	19.292 (3.396)	0.049 (0.281)	20.246 (3.565)	0.048 (0.271)	20.936 (3.686)	0.047 (0.266)	21.314 (3.752)	0.046 (0.262)	21.666 (3.814)
	6 (15.2)	0.047 (0.264)	21.481 (3.782)	0.044 (0.25)	22.701 (3.997)	0.042 (0.241)	23.592 (4.154)	0.042 (0.236)	24.085 (4.24)	0.041 (0.231)	24.547 (4.322)
32" (812.8mm)		0.19 pcs/ft <sup>2</sup> (bracket) 2.02 pcs/m <sup>2</sup> (bracket)		0.15 pcs/ft <sup>2</sup> (bracket) 1.64 pcs/m <sup>2</sup> (bracket)		0.13 pcs/ft <sup>2</sup> (bracket) 1.39 pcs/m <sup>2</sup> (bracket)		0.12 pcs/ft <sup>2</sup> (bracket) 1.26 pcs/m <sup>2</sup> (bracket)		0.11 pcs/ft <sup>2</sup> (bracket) 1.14 pcs/m <sup>2</sup> (bracket)	
		0.38 ft/ft <sup>2</sup> (rails) 1.23 m/m <sup>2</sup> (rails)									
	4 (10.2)	0.055 (0.31)	18.328 (3.227)	0.053 (0.301)	18.856 (3.32)	0.052 (0.295)	19.225 (3.385)	0.051 (0.292)	19.424 (3.42)	0.051 (0.29)	19.606 (3.452)
	5 (12.7)	0.048 (0.275)	20.637 (3.633)	0.047 (0.265)	21.448 (3.776)	0.045 (0.258)	22.024 (3.878)	0.045 (0.254)	22.337 (3.933)	0.044 (0.251)	22.626 (3.984)
	6 (15.2)	0.043 (0.245)	23.173 (4.08)	0.041 (0.234)	24.226 (4.265)	0.04 (0.227)	24.981 (4.398)	0.039 (0.224)	25.394 (4.471)	0.039 (0.22)	25.777 (4.538)
40" (1016mm)		0.15 pcs/ft <sup>2</sup> (bracket) 1.61 pcs/m <sup>2</sup> (bracket)		0.12 pcs/ft <sup>2</sup> (bracket) 1.31 pcs/m <sup>2</sup> (bracket)		0.1 pcs/ft <sup>2</sup> (bracket) 1.11 pcs/m <sup>2</sup> (bracket)		0.09 pcs/ft <sup>2</sup> (bracket) 1.01 pcs/m <sup>2</sup> (bracket)		0.08 pcs/ft <sup>2</sup> (bracket) 0.91 pcs/m <sup>2</sup> (bracket)	
		0.3 ft/ft <sup>2</sup> (rails) 0.98 m/m <sup>2</sup> (rails)									
	4 (10.2)	0.053 (0.3)	18.939 (3.334)	0.052 (0.293)	19.388 (3.413)	0.051 (0.288)	19.699 (3.468)	0.05 (0.286)	19.865 (3.497)	0.05 (0.284)	20.017 (3.524)
	5 (12.7)	0.046 (0.264)	21.538 (3.792)	0.045 (0.255)	22.24 (3.916)	0.044 (0.25)	22.734 (4.002)	0.043 (0.247)	22.999 (4.049)	0.043 (0.244)	23.244 (4.092)
	6 (15.2)	0.041 (0.234)	24.322 (4.282)	0.04 (0.225)	25.243 (4.444)	0.039 (0.219)	25.896 (4.559)	0.038 (0.216)	26.249 (4.621)	0.038 (0.214)	26.577 (4.679)

<sup>a</sup>Between insulation thicknesses the values can be interpolated

# R-VALUE TABLES

## Fox HI Metal Studs (Not-Insulated) 6" (152.4mm)

**Brackets:** Horizontal aluminum brackets + isolator

**Base Material:** Metal studs (Not-Insulated)

Horizontal Stud to Stud Spacing	Exterior Insulation Thickness* in. (cm)	Vertical Bracket to Bracket Spacing									
		24" Vertical (609.6mm)		30" Vertical (762mm)		36" Vertical (914.4mm)		42" Vertical (1066.8mm)		48" Vertical (1219.2mm)	
		Effective U-Value BTU/h*ft <sup>2</sup> *°F (W/m <sup>2</sup> K)	Effective R-Value h*ft <sup>2</sup> *°F/ BTU (m <sup>2</sup> K/W)	Effective U-Value BTU/h*ft <sup>2</sup> *°F (W/m <sup>2</sup> K)	Effective R-Value h*ft <sup>2</sup> *°F/ BTU (m <sup>2</sup> K/W)	Effective U-Value BTU/h*ft <sup>2</sup> *°F (W/m <sup>2</sup> K)	Effective R-Value h*ft <sup>2</sup> *°F/ BTU (m <sup>2</sup> K/W)	Effective U-Value BTU/h*ft <sup>2</sup> *°F (W/m <sup>2</sup> K)	Effective R-Value h*ft <sup>2</sup> *°F/ BTU (m <sup>2</sup> K/W)	Effective U-Value BTU/h*ft <sup>2</sup> *°F (W/m <sup>2</sup> K)	Effective R-Value h*ft <sup>2</sup> *°F/ BTU (m <sup>2</sup> K/W)
16" (406.4mm)		0.38 pcs/ft <sup>2</sup> (bracket) 4.04 pcs/m <sup>2</sup> (bracket)		0.3 pcs/ft <sup>2</sup> (bracket) 3.28 pcs/m <sup>2</sup> (bracket)		0.26 pcs/ft <sup>2</sup> (bracket) 2.78 pcs/m <sup>2</sup> (bracket)		0.23 pcs/ft <sup>2</sup> (bracket) 2.52 pcs/m <sup>2</sup> (bracket)		0.21 pcs/ft <sup>2</sup> (bracket) 2.28 pcs/m <sup>2</sup> (bracket)	
		0.75 ft/ft <sup>2</sup> (rails) 2.46 m/m <sup>2</sup> (rails)									
	4 (10.2)	0.062 (0.354)	16.054 (2.826)	0.059 (0.337)	16.853 (2.967)	0.057 (0.326)	17.431 (3.069)	0.056 (0.32)	17.748 (3.125)	0.055 (0.315)	18.043 (3.177)
	5 (12.7)	0.059 (0.333)	17.057 (3.003)	0.055 (0.312)	18.218 (3.207)	0.052 (0.298)	19.083 (3.36)	0.051 (0.29)	19.567 (3.445)	0.05 (0.284)	20.025 (3.526)
	6 (15.2)	0.054 (0.306)	18.589 (3.273)	0.05 (0.283)	20.036 (3.527)	0.047 (0.269)	21.13 (3.72)	0.046 (0.261)	21.749 (3.829)	0.045 (0.254)	22.339 (3.933)
24" (609.6mm)		0.25 pcs/ft <sup>2</sup> (bracket) 2.69 pcs/m <sup>2</sup> (bracket)		0.2 pcs/ft <sup>2</sup> (bracket) 2.19 pcs/m <sup>2</sup> (bracket)		0.17 pcs/ft <sup>2</sup> (bracket) 1.85 pcs/m <sup>2</sup> (bracket)		0.16 pcs/ft <sup>2</sup> (bracket) 1.68 pcs/m <sup>2</sup> (bracket)		0.14 pcs/ft <sup>2</sup> (bracket) 1.52 pcs/m <sup>2</sup> (bracket)	
		0.5 ft/ft <sup>2</sup> (rails) 1.64 m/m <sup>2</sup> (rails)									
	4 (10.2)	0.057 (0.322)	17.664 (3.11)	0.055 (0.31)	18.301 (3.222)	0.053 (0.303)	18.75 (3.301)	0.053 (0.299)	18.994 (3.344)	0.052 (0.296)	19.218 (3.384)
	5 (12.7)	0.052 (0.294)	19.327 (3.403)	0.049 (0.28)	20.305 (3.575)	0.048 (0.27)	21.013 (3.699)	0.047 (0.265)	21.402 (3.768)	0.046 (0.261)	21.765 (3.832)
	6 (15.2)	0.047 (0.266)	21.385 (3.765)	0.044 (0.251)	22.638 (3.986)	0.042 (0.241)	23.557 (4.147)	0.042 (0.236)	24.066 (4.237)	0.041 (0.231)	24.545 (4.321)
32" (812.8mm)		0.19 pcs/ft <sup>2</sup> (bracket) 2.02 pcs/m <sup>2</sup> (bracket)		0.15 pcs/ft <sup>2</sup> (bracket) 1.64 pcs/m <sup>2</sup> (bracket)		0.13 pcs/ft <sup>2</sup> (bracket) 1.39 pcs/m <sup>2</sup> (bracket)		0.12 pcs/ft <sup>2</sup> (bracket) 1.26 pcs/m <sup>2</sup> (bracket)		0.11 pcs/ft <sup>2</sup> (bracket) 1.14 pcs/m <sup>2</sup> (bracket)	
		0.38 ft/ft <sup>2</sup> (rails) 1.23 m/m <sup>2</sup> (rails)									
	4 (10.2)	0.054 (0.305)	18.597 (3.274)	0.052 (0.297)	19.122 (3.367)	0.051 (0.291)	19.488 (3.431)	0.051 (0.289)	19.685 (3.466)	0.05 (0.286)	19.865 (3.497)
	5 (12.7)	0.048 (0.274)	20.705 (3.645)	0.046 (0.264)	21.539 (3.792)	0.045 (0.257)	22.132 (3.896)	0.045 (0.253)	22.454 (3.953)	0.044 (0.25)	22.753 (4.006)
	6 (15.2)	0.043 (0.246)	23.123 (4.071)	0.041 (0.235)	24.211 (4.262)	0.04 (0.227)	24.993 (4.4)	0.039 (0.223)	25.421 (4.475)	0.039 (0.22)	25.819 (4.546)
40" (1016mm)		0.15 pcs/ft <sup>2</sup> (bracket) 1.61 pcs/m <sup>2</sup> (bracket)		0.12 pcs/ft <sup>2</sup> (bracket) 1.31 pcs/m <sup>2</sup> (bracket)		0.1 pcs/ft <sup>2</sup> (bracket) 1.11 pcs/m <sup>2</sup> (bracket)		0.09 pcs/ft <sup>2</sup> (bracket) 1.01 pcs/m <sup>2</sup> (bracket)		0.08 pcs/ft <sup>2</sup> (bracket) 0.91 pcs/m <sup>2</sup> (bracket)	
		0.3 ft/ft <sup>2</sup> (rails) 0.98 m/m <sup>2</sup> (rails)									
	4 (10.2)	0.052 (0.296)	19.205 (3.381)	0.051 (0.289)	19.651 (3.46)	0.05 (0.285)	19.959 (3.514)	0.05 (0.282)	20.124 (3.543)	0.049 (0.28)	20.275 (3.569)
	5 (12.7)	0.046 (0.263)	21.631 (3.808)	0.045 (0.254)	22.354 (3.936)	0.044 (0.248)	22.862 (4.025)	0.043 (0.245)	23.137 (4.073)	0.043 (0.243)	23.39 (4.118)
	6 (15.2)	0.041 (0.234)	24.309 (4.28)	0.04 (0.225)	25.263 (4.448)	0.039 (0.219)	25.941 (4.567)	0.038 (0.216)	26.309 (4.632)	0.038 (0.213)	26.649 (4.692)

\*Between insulation thicknesses the values can be interpolated

# R-VALUE TABLES

## Fox VI CMU 12" (305mm) Hollow Bricks

**Brackets:** MFT-FOX VI medium (aluminum L-bracket with thermal pad)

**Base Material:** CMU 12" (305mm) hollow bricks

Horizontal Stud to Stud Spacing	Exterior Insulation Thickness <sup>a</sup> in. (cm)	Vertical Bracket to Bracket Spacing									
		24" Vertical (609.6mm)		30" Vertical (762mm)		36" Vertical (914.4mm)		42" Vertical (1066.8mm)		48" Vertical (1219.2mm)	
		Effective U-Value BTU/h*ft <sup>2</sup> *°F (W/m <sup>2</sup> K)	Effective R-Value h*ft <sup>2</sup> *°F/ BTU (m <sup>2</sup> K/W)	Effective U-Value BTU/h*ft <sup>2</sup> *°F (W/m <sup>2</sup> K)	Effective R-Value h*ft <sup>2</sup> *°F/ BTU (m <sup>2</sup> K/W)	Effective U-Value BTU/h*ft <sup>2</sup> *°F (W/m <sup>2</sup> K)	Effective R-Value h*ft <sup>2</sup> *°F/ BTU (m <sup>2</sup> K/W)	Effective U-Value BTU/h*ft <sup>2</sup> *°F (W/m <sup>2</sup> K)	Effective R-Value h*ft <sup>2</sup> *°F/ BTU (m <sup>2</sup> K/W)	Effective U-Value BTU/h*ft <sup>2</sup> *°F (W/m <sup>2</sup> K)	Effective R-Value h*ft <sup>2</sup> *°F/ BTU (m <sup>2</sup> K/W)
16" (406.4mm)		0.38 pcs/ft <sup>2</sup> (bracket) 4.04 pcs/m <sup>2</sup> (bracket)		0.3 pcs/ft <sup>2</sup> (bracket) 3.28 pcs/m <sup>2</sup> (bracket)		0.26 pcs/ft <sup>2</sup> (bracket) 2.78 pcs/m <sup>2</sup> (bracket)		0.23 pcs/ft <sup>2</sup> (bracket) 2.52 pcs/m <sup>2</sup> (bracket)		0.21 pcs/ft <sup>2</sup> (bracket) 2.28 pcs/m <sup>2</sup> (bracket)	
		0.75 ft/ft <sup>2</sup> (rails) 2.46 m/m <sup>2</sup> (rails)									
	4 (10.2)	0.057 (0.324)	17.52 (3.084)	0.053 (0.299)	19.022 (3.349)	0.05 (0.282)	20.174 (3.552)	0.048 (0.273)	20.831 (3.668)	0.047 (0.265)	21.462 (3.778)
	5 (12.7)	0.052 (0.296)	19.19 (3.379)	0.048 (0.271)	20.955 (3.689)	0.045 (0.254)	22.322 (3.93)	0.043 (0.246)	23.107 (4.068)	0.042 (0.238)	23.864 (4.201)
	6 (15.2)	0.047 (0.269)	21.139 (3.722)	0.043 (0.245)	23.151 (4.076)	0.04 (0.23)	24.716 (4.351)	0.039 (0.222)	25.619 (4.51)	0.038 (0.214)	26.491 (4.664)
24" (609.6mm)		0.25 pcs/ft <sup>2</sup> (bracket) 2.69 pcs/m <sup>2</sup> (bracket)		0.2 pcs/ft <sup>2</sup> (bracket) 2.19 pcs/m <sup>2</sup> (bracket)		0.17 pcs/ft <sup>2</sup> (bracket) 1.85 pcs/m <sup>2</sup> (bracket)		0.16 pcs/ft <sup>2</sup> (bracket) 1.68 pcs/m <sup>2</sup> (bracket)		0.14 pcs/ft <sup>2</sup> (bracket) 1.52 pcs/m <sup>2</sup> (bracket)	
		0.5 ft/ft <sup>2</sup> (rails) 1.64 m/m <sup>2</sup> (rails)									
	4 (10.2)	0.049 (0.276)	20.563 (3.62)	0.046 (0.259)	21.919 (3.859)	0.044 (0.248)	22.924 (4.036)	0.043 (0.242)	23.485 (4.135)	0.042 (0.237)	24.015 (4.228)
	5 (12.7)	0.044 (0.25)	22.695 (3.996)	0.041 (0.234)	24.31 (4.28)	0.039 (0.223)	25.518 (4.493)	0.038 (0.217)	26.196 (4.612)	0.037 (0.212)	26.839 (4.725)
	6 (15.2)	0.04 (0.226)	25.082 (4.416)	0.037 (0.211)	26.933 (4.742)	0.035 (0.201)	28.324 (4.987)	0.034 (0.195)	29.107 (5.125)	0.033 (0.19)	29.852 (5.256)
32" (812.8mm)		0.19 pcs/ft <sup>2</sup> (bracket) 2.02 pcs/m <sup>2</sup> (bracket)		0.15 pcs/ft <sup>2</sup> (bracket) 1.64 pcs/m <sup>2</sup> (bracket)		0.13 pcs/ft <sup>2</sup> (bracket) 1.39 pcs/m <sup>2</sup> (bracket)		0.12 pcs/ft <sup>2</sup> (bracket) 1.26 pcs/m <sup>2</sup> (bracket)		0.11 pcs/ft <sup>2</sup> (bracket) 1.14 pcs/m <sup>2</sup> (bracket)	
		0.38 ft/ft <sup>2</sup> (rails) 1.23 m/m <sup>2</sup> (rails)									
	4 (10.2)	0.044 (0.252)	22.52 (3.965)	0.042 (0.239)	23.724 (4.177)	0.041 (0.231)	24.6 (4.331)	0.04 (0.226)	25.083 (4.416)	0.039 (0.222)	25.534 (4.495)
	5 (12.7)	0.04 (0.227)	24.976 (4.397)	0.038 (0.215)	26.425 (4.652)	0.036 (0.207)	27.485 (4.839)	0.036 (0.202)	28.073 (4.942)	0.035 (0.198)	28.624 (5.039)
	6 (15.2)	0.036 (0.205)	27.661 (4.87)	0.034 (0.194)	29.328 (5.163)	0.033 (0.186)	30.554 (5.379)	0.032 (0.182)	31.234 (5.499)	0.031 (0.178)	31.873 (5.612)
40" (1016mm)		0.15 pcs/ft <sup>2</sup> (bracket) 1.61 pcs/m <sup>2</sup> (bracket)		0.12 pcs/ft <sup>2</sup> (bracket) 1.31 pcs/m <sup>2</sup> (bracket)		0.1 pcs/ft <sup>2</sup> (bracket) 1.11 pcs/m <sup>2</sup> (bracket)		0.09 pcs/ft <sup>2</sup> (bracket) 1.01 pcs/m <sup>2</sup> (bracket)		0.08 pcs/ft <sup>2</sup> (bracket) 0.91 pcs/m <sup>2</sup> (bracket)	
		0.3 ft/ft <sup>2</sup> (rails) 0.98 m/m <sup>2</sup> (rails)									
	4 (10.2)	0.042 (0.238)	23.883 (4.205)	0.04 (0.228)	24.958 (4.394)	0.039 (0.221)	25.729 (4.53)	0.038 (0.217)	26.15 (4.604)	0.038 (0.214)	26.541 (4.673)
	5 (12.7)	0.038 (0.214)	26.579 (4.679)	0.036 (0.204)	27.88 (4.908)	0.035 (0.197)	28.819 (5.074)	0.034 (0.194)	29.334 (5.164)	0.034 (0.191)	29.814 (5.249)
	6 (15.2)	0.034 (0.193)	29.48 (5.19)	0.032 (0.183)	30.981 (5.454)	0.031 (0.177)	32.068 (5.646)	0.031 (0.174)	32.666 (5.751)	0.03 (0.171)	33.223 (5.849)

<sup>a</sup>Between insulation thicknesses the values can be interpolated

# R-VALUE TABLES

## Fox VI CMU 12" (305mm) Grouted Blocks

**Brackets:** MFT-FOX VI medium (aluminum L-bracket with thermal pad)

**Base Material:** CMU 12" (305mm) grouted blocks

Horizontal Stud to Stud Spacing	Exterior Insulation Thickness <sup>a</sup> in. (cm)	Vertical Bracket to Bracket Spacing									
		24" Vertical (609.6mm)		30" Vertical (762mm)		36" Vertical (914.4mm)		42" Vertical (1066.8mm)		48" Vertical (1219.2mm)	
		Effective U-Value BTU/h*ft <sup>2</sup> *°F (W/m <sup>2</sup> K)	Effective R-Value h*ft <sup>2</sup> *°F/ BTU (m <sup>2</sup> K/W)	Effective U-Value BTU/h*ft <sup>2</sup> *°F (W/m <sup>2</sup> K)	Effective R-Value h*ft <sup>2</sup> *°F/ BTU (m <sup>2</sup> K/W)	Effective U-Value BTU/h*ft <sup>2</sup> *°F (W/m <sup>2</sup> K)	Effective R-Value h*ft <sup>2</sup> *°F/ BTU (m <sup>2</sup> K/W)	Effective U-Value BTU/h*ft <sup>2</sup> *°F (W/m <sup>2</sup> K)	Effective R-Value h*ft <sup>2</sup> *°F/ BTU (m <sup>2</sup> K/W)	Effective U-Value BTU/h*ft <sup>2</sup> *°F (W/m <sup>2</sup> K)	Effective R-Value h*ft <sup>2</sup> *°F/ BTU (m <sup>2</sup> K/W)
16" (406.4mm)		0.38 pcs/ft <sup>2</sup> (bracket) 4.04 pcs/m <sup>2</sup> (bracket)		0.3 pcs/ft <sup>2</sup> (bracket) 3.28 pcs/m <sup>2</sup> (bracket)		0.26 pcs/ft <sup>2</sup> (bracket) 2.78 pcs/m <sup>2</sup> (bracket)		0.23 pcs/ft <sup>2</sup> (bracket) 2.52 pcs/m <sup>2</sup> (bracket)		0.21 pcs/ft <sup>2</sup> (bracket) 2.28 pcs/m <sup>2</sup> (bracket)	
		0.75 ft/ft <sup>2</sup> (rails) 2.46 m/m <sup>2</sup> (rails)									
	4 (10.2)	0.057 (0.326)	17.431 (3.069)	0.053 (0.3)	18.919 (3.331)	0.05 (0.283)	20.057 (3.531)	0.048 (0.274)	20.707 (3.646)	0.047 (0.266)	21.33 (3.755)
	5 (12.7)	0.052 (0.297)	19.108 (3.364)	0.048 (0.272)	20.857 (3.672)	0.045 (0.256)	22.211 (3.91)	0.044 (0.247)	22.988 (4.047)	0.042 (0.239)	23.737 (4.179)
6 (15.2)	0.047 (0.27)	21.06 (3.708)	0.043 (0.246)	23.056 (4.059)	0.041 (0.231)	24.608 (4.332)	0.039 (0.223)	25.502 (4.49)	0.038 (0.215)	26.366 (4.642)	
24" (609.6mm)		0.25 pcs/ft <sup>2</sup> (bracket) 2.69 pcs/m <sup>2</sup> (bracket)		0.2 pcs/ft <sup>2</sup> (bracket) 2.19 pcs/m <sup>2</sup> (bracket)		0.17 pcs/ft <sup>2</sup> (bracket) 1.85 pcs/m <sup>2</sup> (bracket)		0.16 pcs/ft <sup>2</sup> (bracket) 1.68 pcs/m <sup>2</sup> (bracket)		0.14 pcs/ft <sup>2</sup> (bracket) 1.52 pcs/m <sup>2</sup> (bracket)	
		0.5 ft/ft <sup>2</sup> (rails) 1.64 m/m <sup>2</sup> (rails)									
	4 (10.2)	0.049 (0.278)	20.442 (3.599)	0.046 (0.261)	21.781 (3.835)	0.044 (0.249)	22.773 (4.009)	0.043 (0.243)	23.327 (4.107)	0.042 (0.238)	23.85 (4.199)
	5 (12.7)	0.044 (0.252)	22.58 (3.975)	0.041 (0.235)	24.178 (4.257)	0.039 (0.224)	25.373 (4.467)	0.038 (0.218)	26.043 (4.585)	0.037 (0.213)	26.679 (4.697)
6 (15.2)	0.04 (0.227)	24.97 (4.396)	0.037 (0.212)	26.804 (4.719)	0.035 (0.202)	28.181 (4.961)	0.035 (0.196)	28.957 (5.098)	0.034 (0.191)	29.693 (5.228)	
32" (812.8mm)		0.19 pcs/ft <sup>2</sup> (bracket) 2.02 pcs/m <sup>2</sup> (bracket)		0.15 pcs/ft <sup>2</sup> (bracket) 1.64 pcs/m <sup>2</sup> (bracket)		0.13 pcs/ft <sup>2</sup> (bracket) 1.39 pcs/m <sup>2</sup> (bracket)		0.12 pcs/ft <sup>2</sup> (bracket) 1.26 pcs/m <sup>2</sup> (bracket)		0.11 pcs/ft <sup>2</sup> (bracket) 1.14 pcs/m <sup>2</sup> (bracket)	
		0.38 ft/ft <sup>2</sup> (rails) 1.23 m/m <sup>2</sup> (rails)									
	4 (10.2)	0.045 (0.254)	22.374 (3.939)	0.042 (0.241)	23.563 (4.148)	0.041 (0.233)	24.427 (4.3)	0.04 (0.228)	24.902 (4.384)	0.039 (0.224)	25.347 (4.463)
	5 (12.7)	0.04 (0.229)	24.837 (4.373)	0.038 (0.216)	26.269 (4.625)	0.037 (0.208)	27.317 (4.809)	0.036 (0.204)	27.897 (4.912)	0.035 (0.2)	28.442 (5.007)
6 (15.2)	0.036 (0.206)	27.525 (4.846)	0.034 (0.195)	29.175 (5.136)	0.033 (0.187)	30.388 (5.35)	0.032 (0.183)	31.06 (5.468)	0.032 (0.179)	31.693 (5.58)	
40" (1016mm)		0.15 pcs/ft <sup>2</sup> (bracket) 1.61 pcs/m <sup>2</sup> (bracket)		0.12 pcs/ft <sup>2</sup> (bracket) 1.31 pcs/m <sup>2</sup> (bracket)		0.1 pcs/ft <sup>2</sup> (bracket) 1.11 pcs/m <sup>2</sup> (bracket)		0.09 pcs/ft <sup>2</sup> (bracket) 1.01 pcs/m <sup>2</sup> (bracket)		0.08 pcs/ft <sup>2</sup> (bracket) 0.91 pcs/m <sup>2</sup> (bracket)	
		0.3 ft/ft <sup>2</sup> (rails) 0.98 m/m <sup>2</sup> (rails)									
	4 (10.2)	0.042 (0.239)	23.72 (4.176)	0.04 (0.229)	24.78 (4.363)	0.039 (0.222)	25.539 (4.496)	0.039 (0.219)	25.954 (4.569)	0.038 (0.216)	26.34 (4.637)
	5 (12.7)	0.038 (0.215)	26.421 (4.652)	0.036 (0.205)	27.707 (4.878)	0.035 (0.198)	28.634 (5.041)	0.034 (0.195)	29.142 (5.131)	0.034 (0.192)	29.616 (5.214)
6 (15.2)	0.034 (0.194)	29.325 (5.163)	0.032 (0.184)	30.811 (5.424)	0.031 (0.178)	31.886 (5.614)	0.031 (0.175)	32.476 (5.718)	0.03 (0.172)	33.027 (5.815)	

<sup>a</sup>Between insulation thicknesses the values can be interpolated

# R-VALUE TABLES

## Fox VI CMU 12" (305mm) Grouted Polyurethane Foamed in Place

**Brackets:** MFT-FOX VI medium (aluminum L-bracket with thermal pad)

**Base Material:** CMU 12" (305mm) grouted polyurethane foamed in place

Horizontal Stud to Stud Spacing	Exterior Insulation Thickness* in. (cm)	Vertical Bracket to Bracket Spacing									
		24" Vertical (609.6mm)		30" Vertical (762mm)		36" Vertical (914.4mm)		42" Vertical (1066.8mm)		48" Vertical (1219.2mm)	
		Effective U-Value BTU/h*ft <sup>2</sup> *°F (W/m <sup>2</sup> K)	Effective R-Value h*ft <sup>2</sup> *°F/ BTU (m <sup>2</sup> K/W)	Effective U-Value BTU/h*ft <sup>2</sup> *°F (W/m <sup>2</sup> K)	Effective R-Value h*ft <sup>2</sup> *°F/ BTU (m <sup>2</sup> K/W)	Effective U-Value BTU/h*ft <sup>2</sup> *°F (W/m <sup>2</sup> K)	Effective R-Value h*ft <sup>2</sup> *°F/ BTU (m <sup>2</sup> K/W)	Effective U-Value BTU/h*ft <sup>2</sup> *°F (W/m <sup>2</sup> K)	Effective R-Value h*ft <sup>2</sup> *°F/ BTU (m <sup>2</sup> K/W)	Effective U-Value BTU/h*ft <sup>2</sup> *°F (W/m <sup>2</sup> K)	Effective R-Value h*ft <sup>2</sup> *°F/ BTU (m <sup>2</sup> K/W)
16" (406.4mm)		0.38 pcs/ft <sup>2</sup> (bracket) 4.04 pcs/m <sup>2</sup> (bracket)		0.3 pcs/ft <sup>2</sup> (bracket) 3.28 pcs/m <sup>2</sup> (bracket)		0.26 pcs/ft <sup>2</sup> (bracket) 2.78 pcs/m <sup>2</sup> (bracket)		0.23 pcs/ft <sup>2</sup> (bracket) 2.52 pcs/m <sup>2</sup> (bracket)		0.21 pcs/ft <sup>2</sup> (bracket) 2.28 pcs/m <sup>2</sup> (bracket)	
		0.75 ft/ft <sup>2</sup> (rails) 2.46 m/m <sup>2</sup> (rails)									
	4 (10.2)	0.041 (0.232)	24.449 (4.304)	0.036 (0.207)	27.478 (4.838)	0.033 (0.19)	29.948 (5.272)	0.032 (0.181)	31.419 (5.532)	0.03 (0.173)	32.876 (5.788)
	5 (12.7)	0.039 (0.22)	25.816 (4.545)	0.034 (0.195)	29.115 (5.126)	0.031 (0.178)	31.822 (5.602)	0.03 (0.17)	33.442 (5.888)	0.029 (0.162)	35.051 (6.171)
	6 (15.2)	0.036 (0.205)	27.742 (4.884)	0.032 (0.181)	31.313 (5.513)	0.029 (0.166)	34.246 (6.029)	0.028 (0.158)	36.004 (6.339)	0.026 (0.15)	37.75 (6.646)
24" (609.6mm)		0.25 pcs/ft <sup>2</sup> (bracket) 2.69 pcs/m <sup>2</sup> (bracket)		0.2 pcs/ft <sup>2</sup> (bracket) 2.19 pcs/m <sup>2</sup> (bracket)		0.17 pcs/ft <sup>2</sup> (bracket) 1.85 pcs/m <sup>2</sup> (bracket)		0.16 pcs/ft <sup>2</sup> (bracket) 1.68 pcs/m <sup>2</sup> (bracket)		0.14 pcs/ft <sup>2</sup> (bracket) 1.52 pcs/m <sup>2</sup> (bracket)	
		0.5 ft/ft <sup>2</sup> (rails) 1.64 m/m <sup>2</sup> (rails)									
	4 (10.2)	0.032 (0.184)	30.814 (5.425)	0.029 (0.167)	33.96 (5.979)	0.027 (0.156)	36.435 (6.415)	0.026 (0.15)	37.874 (6.668)	0.025 (0.145)	39.272 (6.914)
	5 (12.7)	0.031 (0.174)	32.586 (5.737)	0.028 (0.158)	36.021 (6.342)	0.026 (0.147)	38.739 (6.82)	0.025 (0.141)	40.324 (7.099)	0.024 (0.136)	41.869 (7.371)
	6 (15.2)	0.029 (0.163)	34.951 (6.153)	0.026 (0.147)	38.653 (6.805)	0.024 (0.137)	41.585 (7.321)	0.023 (0.131)	43.296 (7.622)	0.022 (0.126)	44.963 (7.916)
32" (812.8mm)		0.19 pcs/ft <sup>2</sup> (bracket) 2.02 pcs/m <sup>2</sup> (bracket)		0.15 pcs/ft <sup>2</sup> (bracket) 1.64 pcs/m <sup>2</sup> (bracket)		0.13 pcs/ft <sup>2</sup> (bracket) 1.39 pcs/m <sup>2</sup> (bracket)		0.12 pcs/ft <sup>2</sup> (bracket) 1.26 pcs/m <sup>2</sup> (bracket)		0.11 pcs/ft <sup>2</sup> (bracket) 1.14 pcs/m <sup>2</sup> (bracket)	
		0.38 ft/ft <sup>2</sup> (rails) 1.23 m/m <sup>2</sup> (rails)									
	4 (10.2)	0.028 (0.16)	35.425 (6.237)	0.026 (0.148)	38.5 (6.778)	0.024 (0.139)	40.861 (7.194)	0.024 (0.135)	42.21 (7.431)	0.023 (0.131)	43.504 (7.659)
	5 (12.7)	0.027 (0.151)	37.503 (6.603)	0.024 (0.139)	40.868 (7.195)	0.023 (0.131)	43.462 (7.652)	0.022 (0.126)	44.949 (7.914)	0.022 (0.122)	46.38 (8.165)
	6 (15.2)	0.025 (0.141)	40.17 (7.072)	0.023 (0.13)	43.786 (7.709)	0.021 (0.122)	46.575 (8.2)	0.021 (0.118)	48.174 (8.481)	0.02 (0.114)	49.713 (8.752)
40" (1016mm)		0.15 pcs/ft <sup>2</sup> (bracket) 1.61 pcs/m <sup>2</sup> (bracket)		0.12 pcs/ft <sup>2</sup> (bracket) 1.31 pcs/m <sup>2</sup> (bracket)		0.1 pcs/ft <sup>2</sup> (bracket) 1.11 pcs/m <sup>2</sup> (bracket)		0.09 pcs/ft <sup>2</sup> (bracket) 1.01 pcs/m <sup>2</sup> (bracket)		0.08 pcs/ft <sup>2</sup> (bracket) 0.91 pcs/m <sup>2</sup> (bracket)	
		0.3 ft/ft <sup>2</sup> (rails) 0.98 m/m <sup>2</sup> (rails)									
	4 (10.2)	0.026 (0.146)	38.92 (6.852)	0.024 (0.136)	41.858 (7.369)	0.023 (0.129)	44.073 (7.759)	0.022 (0.125)	45.323 (7.979)	0.022 (0.122)	46.511 (8.189)
	5 (12.7)	0.024 (0.138)	41.238 (7.26)	0.022 (0.128)	44.457 (7.827)	0.021 (0.121)	46.893 (8.256)	0.021 (0.118)	48.271 (8.498)	0.02 (0.115)	49.585 (8.73)
	6 (15.2)	0.023 (0.129)	44.124 (7.768)	0.021 (0.119)	47.576 (8.376)	0.02 (0.113)	50.188 (8.836)	0.019 (0.11)	51.667 (9.096)	0.019 (0.107)	53.077 (9.344)

\*Between insulation thicknesses the values can be interpolated

# R-VALUE TABLES

## Fox VI Concrete 2" (50.8mm)

Brackets: MFT-FOX VI medium (aluminum L-bracket with thermal pad)

Base Material: Concrete 2" (50.8mm)

Horizontal Stud to Stud Spacing	Exterior Insulation Thickness <sup>a</sup> in. (cm)	Vertical Bracket to Bracket Spacing									
		24" Vertical (609.6mm)		30" Vertical (762mm)		36" Vertical (914.4mm)		42" Vertical (1066.8mm)		48" Vertical (1219.2mm)	
		Effective U-Value BTU/h*ft <sup>2</sup> *°F (W/m <sup>2</sup> K)	Effective R-Value h*ft <sup>2</sup> *°F/ BTU (m <sup>2</sup> K/W)	Effective U-Value BTU/h*ft <sup>2</sup> *°F (W/m <sup>2</sup> K)	Effective R-Value h*ft <sup>2</sup> *°F/ BTU (m <sup>2</sup> K/W)	Effective U-Value BTU/h*ft <sup>2</sup> *°F (W/m <sup>2</sup> K)	Effective R-Value h*ft <sup>2</sup> *°F/ BTU (m <sup>2</sup> K/W)	Effective U-Value BTU/h*ft <sup>2</sup> *°F (W/m <sup>2</sup> K)	Effective R-Value h*ft <sup>2</sup> *°F/ BTU (m <sup>2</sup> K/W)	Effective U-Value BTU/h*ft <sup>2</sup> *°F (W/m <sup>2</sup> K)	Effective R-Value h*ft <sup>2</sup> *°F/ BTU (m <sup>2</sup> K/W)
16" (406.4mm)		0.38 pcs/ft <sup>2</sup> (bracket) 4.04 pcs/m <sup>2</sup> (bracket)		0.3 pcs/ft <sup>2</sup> (bracket) 3.28 pcs/m <sup>2</sup> (bracket)		0.26 pcs/ft <sup>2</sup> (bracket) 2.78 pcs/m <sup>2</sup> (bracket)		0.23 pcs/ft <sup>2</sup> (bracket) 2.52 pcs/m <sup>2</sup> (bracket)		0.21 pcs/ft <sup>2</sup> (bracket) 2.28 pcs/m <sup>2</sup> (bracket)	
		0.75 ft/ft <sup>2</sup> (rails) 2.46 m/m <sup>2</sup> (rails)									
	4 (10.2)	0.083 (0.469)	12.113 (2.133)	0.077 (0.44)	12.918 (2.274)	0.074 (0.42)	13.516 (2.38)	0.072 (0.41)	13.851 (2.439)	0.071 (0.401)	14.166 (2.494)
	5 (12.7)	0.071 (0.403)	14.084 (2.48)	0.066 (0.375)	15.143 (2.666)	0.063 (0.356)	15.94 (2.806)	0.061 (0.347)	16.389 (2.885)	0.059 (0.338)	16.817 (2.961)
	6 (15.2)	0.062 (0.35)	16.237 (2.859)	0.057 (0.324)	17.533 (3.087)	0.054 (0.307)	18.515 (3.26)	0.052 (0.298)	19.073 (3.358)	0.051 (0.29)	19.604 (3.451)
24" (609.6mm)		0.25 pcs/ft <sup>2</sup> (bracket) 2.69 pcs/m <sup>2</sup> (bracket)		0.2 pcs/ft <sup>2</sup> (bracket) 2.19 pcs/m <sup>2</sup> (bracket)		0.17 pcs/ft <sup>2</sup> (bracket) 1.85 pcs/m <sup>2</sup> (bracket)		0.16 pcs/ft <sup>2</sup> (bracket) 1.68 pcs/m <sup>2</sup> (bracket)		0.14 pcs/ft <sup>2</sup> (bracket) 1.52 pcs/m <sup>2</sup> (bracket)	
		0.5 ft/ft <sup>2</sup> (rails) 1.64 m/m <sup>2</sup> (rails)									
	4 (10.2)	0.073 (0.414)	13.704 (2.413)	0.07 (0.395)	14.38 (2.532)	0.067 (0.382)	14.869 (2.618)	0.066 (0.375)	15.136 (2.665)	0.065 (0.369)	15.386 (2.709)
	5 (12.7)	0.062 (0.352)	16.146 (2.843)	0.059 (0.333)	17.057 (3.003)	0.056 (0.32)	17.723 (3.12)	0.055 (0.314)	18.091 (3.185)	0.054 (0.308)	18.435 (3.246)
	6 (15.2)	0.053 (0.303)	18.737 (3.299)	0.05 (0.286)	19.866 (3.498)	0.048 (0.274)	20.696 (3.644)	0.047 (0.268)	21.157 (3.725)	0.046 (0.263)	21.59 (3.801)
32" (812.8mm)		0.19 pcs/ft <sup>2</sup> (bracket) 2.02 pcs/m <sup>2</sup> (bracket)		0.15 pcs/ft <sup>2</sup> (bracket) 1.64 pcs/m <sup>2</sup> (bracket)		0.13 pcs/ft <sup>2</sup> (bracket) 1.39 pcs/m <sup>2</sup> (bracket)		0.12 pcs/ft <sup>2</sup> (bracket) 1.26 pcs/m <sup>2</sup> (bracket)		0.11 pcs/ft <sup>2</sup> (bracket) 1.14 pcs/m <sup>2</sup> (bracket)	
		0.38 ft/ft <sup>2</sup> (rails) 1.23 m/m <sup>2</sup> (rails)									
	4 (10.2)	0.0682 (0.387)	14.6673 (2.582)	0.0656 (0.373)	15.2428 (2.684)	0.0639 (0.363)	15.6514 (2.756)	0.063 (0.358)	15.8732 (2.795)	0.0622 (0.353)	16.0786 (2.831)
	5 (12.7)	0.0574 (0.326)	17.4214 (3.067)	0.0549 (0.312)	18.2084 (3.206)	0.0533 (0.303)	18.7727 (3.305)	0.0524 (0.298)	19.0809 (3.359)	0.0516 (0.293)	19.3675 (3.41)
	6 (15.2)	0.0493 (0.28)	20.3 (3.574)	0.047 (0.267)	21.2828 (3.747)	0.0455 (0.258)	21.9913 (3.872)	0.0447 (0.254)	22.3795 (3.94)	0.044 (0.25)	22.7415 (4.004)
40" (1016mm)		0.15 pcs/ft <sup>2</sup> (bracket) 1.61 pcs/m <sup>2</sup> (bracket)		0.12 pcs/ft <sup>2</sup> (bracket) 1.31 pcs/m <sup>2</sup> (bracket)		0.1 pcs/ft <sup>2</sup> (bracket) 1.11 pcs/m <sup>2</sup> (bracket)		0.09 pcs/ft <sup>2</sup> (bracket) 1.01 pcs/m <sup>2</sup> (bracket)		0.08 pcs/ft <sup>2</sup> (bracket) 0.91 pcs/m <sup>2</sup> (bracket)	
		0.3 ft/ft <sup>2</sup> (rails) 0.98 m/m <sup>2</sup> (rails)									
	4 (10.2)	0.065 (0.371)	15.313 (2.696)	0.063 (0.359)	15.812 (2.784)	0.062 (0.351)	16.162 (2.845)	0.061 (0.347)	16.351 (2.879)	0.061 (0.344)	16.525 (2.909)
	5 (12.7)	0.055 (0.311)	18.288 (3.22)	0.053 (0.299)	18.977 (3.341)	0.051 (0.292)	19.465 (3.427)	0.051 (0.288)	19.729 (3.473)	0.05 (0.284)	19.973 (3.516)
	6 (15.2)	0.047 (0.266)	21.369 (3.762)	0.045 (0.255)	22.234 (3.914)	0.044 (0.249)	22.849 (4.023)	0.043 (0.245)	23.184 (4.082)	0.043 (0.242)	23.493 (4.136)

<sup>a</sup>Between insulation thicknesses the values can be interpolated

# R-VALUE TABLES

## Fox VI Concrete 3" (76.2mm)

Brackets: MFT-FOX VI medium (aluminum L-bracket with thermal pad)

Base Material: Concrete 3" (76.2mm)

Horizontal Stud to Stud Spacing	Exterior Insulation Thickness <sup>a</sup> in. (cm)	Vertical Bracket to Bracket Spacing									
		24" Vertical (609.6mm)		30" Vertical (762mm)		36" Vertical (914.4mm)		42" Vertical (1066.8mm)		48" Vertical (1219.2mm)	
		Effective U-Value BTU/h*ft <sup>2</sup> *°F (W/m <sup>2</sup> K)	Effective R-Value h*ft <sup>2</sup> *°F/ BTU (m <sup>2</sup> K/W)	Effective U-Value BTU/h*ft <sup>2</sup> *°F (W/m <sup>2</sup> K)	Effective R-Value h*ft <sup>2</sup> *°F/ BTU (m <sup>2</sup> K/W)	Effective U-Value BTU/h*ft <sup>2</sup> *°F (W/m <sup>2</sup> K)	Effective R-Value h*ft <sup>2</sup> *°F/ BTU (m <sup>2</sup> K/W)	Effective U-Value BTU/h*ft <sup>2</sup> *°F (W/m <sup>2</sup> K)	Effective R-Value h*ft <sup>2</sup> *°F/ BTU (m <sup>2</sup> K/W)	Effective U-Value BTU/h*ft <sup>2</sup> *°F (W/m <sup>2</sup> K)	Effective R-Value h*ft <sup>2</sup> *°F/ BTU (m <sup>2</sup> K/W)
16" (406.4mm)		0.38 pcs/ft <sup>2</sup> (bracket) 4.04 pcs/m <sup>2</sup> (bracket)		0.3 pcs/ft <sup>2</sup> (bracket) 3.28 pcs/m <sup>2</sup> (bracket)		0.26 pcs/ft <sup>2</sup> (bracket) 2.78 pcs/m <sup>2</sup> (bracket)		0.23 pcs/ft <sup>2</sup> (bracket) 2.52 pcs/m <sup>2</sup> (bracket)		0.21 pcs/ft <sup>2</sup> (bracket) 2.28 pcs/m <sup>2</sup> (bracket)	
		0.75 ft/ft <sup>2</sup> (rails) 2.46 m/m <sup>2</sup> (rails)									
	4 (10.2)	0.082 (0.468)	12.142 (2.138)	0.077 (0.439)	12.951 (2.28)	0.074 (0.419)	13.553 (2.386)	0.072 (0.409)	13.889 (2.445)	0.07 (0.4)	14.206 (2.501)
	5 (12.7)	0.071 (0.403)	14.11 (2.484)	0.066 (0.374)	15.173 (2.671)	0.063 (0.356)	15.973 (2.812)	0.061 (0.346)	16.424 (2.892)	0.059 (0.337)	16.854 (2.967)
	6 (15.2)	0.061 (0.349)	16.262 (2.863)	0.057 (0.323)	17.561 (3.092)	0.054 (0.306)	18.547 (3.265)	0.052 (0.297)	19.107 (3.364)	0.051 (0.289)	19.64 (3.458)
24" (609.6mm)		0.25 pcs/ft <sup>2</sup> (bracket) 2.69 pcs/m <sup>2</sup> (bracket)		0.2 pcs/ft <sup>2</sup> (bracket) 2.19 pcs/m <sup>2</sup> (bracket)		0.17 pcs/ft <sup>2</sup> (bracket) 1.85 pcs/m <sup>2</sup> (bracket)		0.16 pcs/ft <sup>2</sup> (bracket) 1.68 pcs/m <sup>2</sup> (bracket)		0.14 pcs/ft <sup>2</sup> (bracket) 1.52 pcs/m <sup>2</sup> (bracket)	
		0.5 ft/ft <sup>2</sup> (rails) 1.64 m/m <sup>2</sup> (rails)									
	4 (10.2)	0.073 (0.413)	13.741 (2.419)	0.069 (0.394)	14.421 (2.539)	0.067 (0.381)	14.913 (2.625)	0.066 (0.374)	15.182 (2.673)	0.065 (0.368)	15.433 (2.717)
	5 (12.7)	0.062 (0.351)	16.18 (2.849)	0.058 (0.332)	17.096 (3.01)	0.056 (0.32)	17.764 (3.127)	0.055 (0.313)	18.134 (3.193)	0.054 (0.307)	18.48 (3.254)
	6 (15.2)	0.053 (0.303)	18.77 (3.305)	0.05 (0.285)	19.903 (3.504)	0.048 (0.274)	20.736 (3.651)	0.047 (0.268)	21.199 (3.732)	0.046 (0.263)	21.634 (3.809)
32" (812.8mm)		0.19 pcs/ft <sup>2</sup> (bracket) 2.02 pcs/m <sup>2</sup> (bracket)		0.15 pcs/ft <sup>2</sup> (bracket) 1.64 pcs/m <sup>2</sup> (bracket)		0.13 pcs/ft <sup>2</sup> (bracket) 1.39 pcs/m <sup>2</sup> (bracket)		0.12 pcs/ft <sup>2</sup> (bracket) 1.26 pcs/m <sup>2</sup> (bracket)		0.11 pcs/ft <sup>2</sup> (bracket) 1.14 pcs/m <sup>2</sup> (bracket)	
		0.38 ft/ft <sup>2</sup> (rails) 1.23 m/m <sup>2</sup> (rails)									
	4 (10.2)	0.068 (0.386)	14.71 (2.59)	0.065 (0.372)	15.289 (2.692)	0.064 (0.362)	15.7 (2.764)	0.063 (0.357)	15.923 (2.803)	0.062 (0.352)	16.13 (2.84)
	5 (12.7)	0.057 (0.325)	17.461 (3.074)	0.055 (0.311)	18.252 (3.213)	0.053 (0.302)	18.819 (3.313)	0.052 (0.297)	19.129 (3.368)	0.052 (0.293)	19.417 (3.418)
	6 (15.2)	0.049 (0.279)	20.339 (3.581)	0.047 (0.266)	21.325 (3.754)	0.045 (0.258)	22.037 (3.88)	0.045 (0.253)	22.426 (3.948)	0.044 (0.249)	22.79 (4.012)
40" (1016mm)		0.15 pcs/ft <sup>2</sup> (bracket) 1.61 pcs/m <sup>2</sup> (bracket)		0.12 pcs/ft <sup>2</sup> (bracket) 1.31 pcs/m <sup>2</sup> (bracket)		0.1 pcs/ft <sup>2</sup> (bracket) 1.11 pcs/m <sup>2</sup> (bracket)		0.09 pcs/ft <sup>2</sup> (bracket) 1.01 pcs/m <sup>2</sup> (bracket)		0.08 pcs/ft <sup>2</sup> (bracket) 0.91 pcs/m <sup>2</sup> (bracket)	
		0.3 ft/ft <sup>2</sup> (rails) 0.98 m/m <sup>2</sup> (rails)									
	4 (10.2)	0.065 (0.37)	15.36 (2.704)	0.063 (0.358)	15.861 (2.793)	0.062 (0.35)	16.214 (2.855)	0.061 (0.346)	16.404 (2.888)	0.06 (0.343)	16.579 (2.919)
	5 (12.7)	0.055 (0.31)	18.332 (3.227)	0.053 (0.299)	19.024 (3.349)	0.051 (0.291)	19.515 (3.436)	0.051 (0.287)	19.78 (3.482)	0.05 (0.284)	20.026 (3.526)
	6 (15.2)	0.047 (0.265)	21.412 (3.77)	0.045 (0.255)	22.28 (3.923)	0.044 (0.248)	22.898 (4.031)	0.043 (0.244)	23.234 (4.09)	0.042 (0.241)	23.545 (4.145)

<sup>a</sup>Between insulation thicknesses the values can be interpolated



# R-VALUE TABLES

## Fox VI Concrete 4" (101.6mm)

**Brackets:** MFT-FOX VI medium (aluminum L-bracket with thermal pad)

**Base Material:** Concrete 4" (101.6mm)

Horizontal Stud to Stud Spacing	Exterior Insulation Thickness <sup>a</sup> in. (cm)	Vertical Bracket to Bracket Spacing									
		24" Vertical (609.6mm)		30" Vertical (762mm)		36" Vertical (914.4mm)		42" Vertical (1066.8mm)		48" Vertical (1219.2mm)	
		Effective U-Value BTU/h*ft <sup>2</sup> *°F (W/m <sup>2</sup> K)	Effective R-Value h*ft <sup>2</sup> *°F/ BTU (m <sup>2</sup> K/W)	Effective U-Value BTU/h*ft <sup>2</sup> *°F (W/m <sup>2</sup> K)	Effective R-Value h*ft <sup>2</sup> *°F/ BTU (m <sup>2</sup> K/W)	Effective U-Value BTU/h*ft <sup>2</sup> *°F (W/m <sup>2</sup> K)	Effective R-Value h*ft <sup>2</sup> *°F/ BTU (m <sup>2</sup> K/W)	Effective U-Value BTU/h*ft <sup>2</sup> *°F (W/m <sup>2</sup> K)	Effective R-Value h*ft <sup>2</sup> *°F/ BTU (m <sup>2</sup> K/W)	Effective U-Value BTU/h*ft <sup>2</sup> *°F (W/m <sup>2</sup> K)	Effective R-Value h*ft <sup>2</sup> *°F/ BTU (m <sup>2</sup> K/W)
16" (406.4mm)		0.38 pcs/ft <sup>2</sup> (bracket) 4.04 pcs/m <sup>2</sup> (bracket)		0.3 pcs/ft <sup>2</sup> (bracket) 3.28 pcs/m <sup>2</sup> (bracket)		0.26 pcs/ft <sup>2</sup> (bracket) 2.78 pcs/m <sup>2</sup> (bracket)		0.23 pcs/ft <sup>2</sup> (bracket) 2.52 pcs/m <sup>2</sup> (bracket)		0.21 pcs/ft <sup>2</sup> (bracket) 2.28 pcs/m <sup>2</sup> (bracket)	
		0.75 ft/ft <sup>2</sup> (rails) 2.46 m/m <sup>2</sup> (rails)									
	4 (10.2)	0.082 (0.467)	12.171 (2.143)	0.077 (0.437)	12.984 (2.286)	0.074 (0.418)	13.589 (2.392)	0.072 (0.408)	13.927 (2.452)	0.07 (0.399)	14.246 (2.508)
	5 (12.7)	0.071 (0.402)	14.136 (2.489)	0.066 (0.374)	15.203 (2.677)	0.062 (0.355)	16.006 (2.818)	0.061 (0.345)	16.46 (2.898)	0.059 (0.336)	16.891 (2.974)
6 (15.2)	0.061 (0.349)	16.287 (2.867)	0.057 (0.323)	17.59 (3.097)	0.054 (0.306)	18.58 (3.271)	0.052 (0.297)	19.141 (3.37)	0.051 (0.289)	19.676 (3.464)	
24" (609.6mm)		0.25 pcs/ft <sup>2</sup> (bracket) 2.69 pcs/m <sup>2</sup> (bracket)		0.2 pcs/ft <sup>2</sup> (bracket) 2.19 pcs/m <sup>2</sup> (bracket)		0.17 pcs/ft <sup>2</sup> (bracket) 1.85 pcs/m <sup>2</sup> (bracket)		0.16 pcs/ft <sup>2</sup> (bracket) 1.68 pcs/m <sup>2</sup> (bracket)		0.14 pcs/ft <sup>2</sup> (bracket) 1.52 pcs/m <sup>2</sup> (bracket)	
		0.5 ft/ft <sup>2</sup> (rails) 1.64 m/m <sup>2</sup> (rails)									
	4 (10.2)	0.073 (0.412)	13.778 (2.426)	0.069 (0.393)	14.462 (2.546)	0.067 (0.38)	14.956 (2.633)	0.066 (0.373)	15.227 (2.681)	0.065 (0.367)	15.48 (2.725)
	5 (12.7)	0.062 (0.35)	16.215 (2.855)	0.058 (0.332)	17.134 (3.017)	0.056 (0.319)	17.805 (3.135)	0.055 (0.312)	18.177 (3.2)	0.054 (0.307)	18.525 (3.261)
6 (15.2)	0.053 (0.302)	18.803 (3.31)	0.05 (0.285)	19.94 (3.511)	0.048 (0.273)	20.776 (3.658)	0.047 (0.267)	21.241 (3.74)	0.046 (0.262)	21.677 (3.816)	
32" (812.8mm)		0.19 pcs/ft <sup>2</sup> (bracket) 2.02 pcs/m <sup>2</sup> (bracket)		0.15 pcs/ft <sup>2</sup> (bracket) 1.64 pcs/m <sup>2</sup> (bracket)		0.13 pcs/ft <sup>2</sup> (bracket) 1.39 pcs/m <sup>2</sup> (bracket)		0.12 pcs/ft <sup>2</sup> (bracket) 1.26 pcs/m <sup>2</sup> (bracket)		0.11 pcs/ft <sup>2</sup> (bracket) 1.14 pcs/m <sup>2</sup> (bracket)	
		0.38 ft/ft <sup>2</sup> (rails) 1.23 m/m <sup>2</sup> (rails)									
	4 (10.2)	0.068 (0.385)	14.753 (2.597)	0.065 (0.37)	15.335 (2.7)	0.063 (0.361)	15.749 (2.773)	0.063 (0.356)	15.973 (2.812)	0.062 (0.351)	16.181 (2.849)
	5 (12.7)	0.057 (0.325)	17.501 (3.081)	0.055 (0.31)	18.296 (3.221)	0.053 (0.301)	18.866 (3.321)	0.052 (0.296)	19.177 (3.376)	0.051 (0.292)	19.466 (3.427)
6 (15.2)	0.049 (0.279)	20.377 (3.588)	0.047 (0.266)	21.368 (3.762)	0.045 (0.257)	22.082 (3.888)	0.044 (0.253)	22.473 (3.957)	0.044 (0.249)	22.838 (4.021)	
40" (1016mm)		0.15 pcs/ft <sup>2</sup> (bracket) 1.61 pcs/m <sup>2</sup> (bracket)		0.12 pcs/ft <sup>2</sup> (bracket) 1.31 pcs/m <sup>2</sup> (bracket)		0.1 pcs/ft <sup>2</sup> (bracket) 1.11 pcs/m <sup>2</sup> (bracket)		0.09 pcs/ft <sup>2</sup> (bracket) 1.01 pcs/m <sup>2</sup> (bracket)		0.08 pcs/ft <sup>2</sup> (bracket) 0.91 pcs/m <sup>2</sup> (bracket)	
		0.3 ft/ft <sup>2</sup> (rails) 0.98 m/m <sup>2</sup> (rails)									
	4 (10.2)	0.065 (0.369)	15.406 (2.712)	0.063 (0.357)	15.911 (2.801)	0.061 (0.349)	16.266 (2.864)	0.061 (0.345)	16.457 (2.897)	0.06 (0.341)	16.633 (2.928)
	5 (12.7)	0.054 (0.309)	18.376 (3.235)	0.052 (0.298)	19.072 (3.358)	0.051 (0.29)	19.564 (3.444)	0.05 (0.286)	19.831 (3.491)	0.05 (0.283)	20.079 (3.535)
6 (15.2)	0.047 (0.265)	21.455 (3.777)	0.045 (0.254)	22.327 (3.931)	0.044 (0.248)	22.947 (4.04)	0.043 (0.244)	23.284 (4.099)	0.042 (0.241)	23.597 (4.154)	

<sup>a</sup>Between insulation thicknesses the values can be interpolated

# R-VALUE TABLES

## Fox VI Concrete 5" (127mm)

Brackets: MFT-FOX VI medium (aluminum L-bracket with thermal pad)

Base Material: Concrete 5" (127mm)

Horizontal Stud to Stud Spacing	Exterior Insulation Thickness <sup>a</sup> in. (cm)	Vertical Bracket to Bracket Spacing									
		24" Vertical (609.6mm)		30" Vertical (762mm)		36" Vertical (914.4mm)		42" Vertical (1066.8mm)		48" Vertical (1219.2mm)	
		Effective U-Value BTU/h*ft <sup>2</sup> *°F (W/m <sup>2</sup> K)	Effective R-Value h*ft <sup>2</sup> *°F/ BTU (m <sup>2</sup> K/W)	Effective U-Value BTU/h*ft <sup>2</sup> *°F (W/m <sup>2</sup> K)	Effective R-Value h*ft <sup>2</sup> *°F/ BTU (m <sup>2</sup> K/W)	Effective U-Value BTU/h*ft <sup>2</sup> *°F (W/m <sup>2</sup> K)	Effective R-Value h*ft <sup>2</sup> *°F/ BTU (m <sup>2</sup> K/W)	Effective U-Value BTU/h*ft <sup>2</sup> *°F (W/m <sup>2</sup> K)	Effective R-Value h*ft <sup>2</sup> *°F/ BTU (m <sup>2</sup> K/W)	Effective U-Value BTU/h*ft <sup>2</sup> *°F (W/m <sup>2</sup> K)	Effective R-Value h*ft <sup>2</sup> *°F/ BTU (m <sup>2</sup> K/W)
16" (406.4mm)		0.38 pcs/ft <sup>2</sup> (bracket) 4.04 pcs/m <sup>2</sup> (bracket)		0.3 pcs/ft <sup>2</sup> (bracket) 3.28 pcs/m <sup>2</sup> (bracket)		0.26 pcs/ft <sup>2</sup> (bracket) 2.78 pcs/m <sup>2</sup> (bracket)		0.23 pcs/ft <sup>2</sup> (bracket) 2.52 pcs/m <sup>2</sup> (bracket)		0.21 pcs/ft <sup>2</sup> (bracket) 2.28 pcs/m <sup>2</sup> (bracket)	
		0.75 ft/ft <sup>2</sup> (rails) 2.46 m/m <sup>2</sup> (rails)									
	4 (10.2)	0.082 (0.466)	12.2 (2.148)	0.077 (0.436)	13.017 (2.292)	0.073 (0.417)	13.625 (2.399)	0.072 (0.407)	13.965 (2.459)	0.07 (0.398)	14.286 (2.515)
	5 (12.7)	0.071 (0.401)	14.162 (2.493)	0.066 (0.373)	15.233 (2.682)	0.062 (0.354)	16.04 (2.824)	0.061 (0.344)	16.495 (2.904)	0.059 (0.336)	16.928 (2.98)
	6 (15.2)	0.061 (0.348)	16.311 (2.872)	0.057 (0.322)	17.619 (3.102)	0.054 (0.305)	18.612 (3.277)	0.052 (0.296)	19.175 (3.376)	0.051 (0.288)	19.712 (3.47)
24" (609.6mm)		0.25 pcs/ft <sup>2</sup> (bracket) 2.69 pcs/m <sup>2</sup> (bracket)		0.2 pcs/ft <sup>2</sup> (bracket) 2.19 pcs/m <sup>2</sup> (bracket)		0.17 pcs/ft <sup>2</sup> (bracket) 1.85 pcs/m <sup>2</sup> (bracket)		0.16 pcs/ft <sup>2</sup> (bracket) 1.68 pcs/m <sup>2</sup> (bracket)		0.14 pcs/ft <sup>2</sup> (bracket) 1.52 pcs/m <sup>2</sup> (bracket)	
		0.5 ft/ft <sup>2</sup> (rails) 1.64 m/m <sup>2</sup> (rails)									
	4 (10.2)	0.072 (0.411)	13.816 (2.432)	0.069 (0.392)	14.503 (2.553)	0.067 (0.379)	15 (2.641)	0.065 (0.372)	15.273 (2.689)	0.064 (0.366)	15.527 (2.734)
	5 (12.7)	0.062 (0.35)	16.249 (2.861)	0.058 (0.331)	17.172 (3.023)	0.056 (0.318)	17.847 (3.142)	0.055 (0.312)	18.22 (3.208)	0.054 (0.306)	18.57 (3.269)
	6 (15.2)	0.053 (0.302)	18.836 (3.316)	0.05 (0.284)	19.977 (3.517)	0.048 (0.273)	20.816 (3.665)	0.047 (0.267)	21.282 (3.747)	0.046 (0.262)	21.721 (3.824)
32" (812.8mm)		0.19 pcs/ft <sup>2</sup> (bracket) 2.02 pcs/m <sup>2</sup> (bracket)		0.15 pcs/ft <sup>2</sup> (bracket) 1.64 pcs/m <sup>2</sup> (bracket)		0.13 pcs/ft <sup>2</sup> (bracket) 1.39 pcs/m <sup>2</sup> (bracket)		0.12 pcs/ft <sup>2</sup> (bracket) 1.26 pcs/m <sup>2</sup> (bracket)		0.11 pcs/ft <sup>2</sup> (bracket) 1.14 pcs/m <sup>2</sup> (bracket)	
		0.38 ft/ft <sup>2</sup> (rails) 1.23 m/m <sup>2</sup> (rails)									
	4 (10.2)	0.068 (0.384)	14.795 (2.605)	0.065 (0.369)	15.381 (2.708)	0.063 (0.36)	15.797 (2.781)	0.062 (0.354)	16.023 (2.821)	0.062 (0.35)	16.233 (2.858)
	5 (12.7)	0.057 (0.324)	17.541 (3.088)	0.055 (0.31)	18.339 (3.229)	0.053 (0.3)	18.912 (3.33)	0.052 (0.295)	19.225 (3.385)	0.051 (0.291)	19.516 (3.436)
	6 (15.2)	0.049 (0.278)	20.416 (3.594)	0.047 (0.265)	21.41 (3.769)	0.045 (0.257)	22.127 (3.896)	0.044 (0.252)	22.52 (3.965)	0.044 (0.248)	22.887 (4.029)
40" (1016mm)		0.15 pcs/ft <sup>2</sup> (bracket) 1.61 pcs/m <sup>2</sup> (bracket)		0.12 pcs/ft <sup>2</sup> (bracket) 1.31 pcs/m <sup>2</sup> (bracket)		0.1 pcs/ft <sup>2</sup> (bracket) 1.11 pcs/m <sup>2</sup> (bracket)		0.09 pcs/ft <sup>2</sup> (bracket) 1.01 pcs/m <sup>2</sup> (bracket)		0.08 pcs/ft <sup>2</sup> (bracket) 0.91 pcs/m <sup>2</sup> (bracket)	
		0.3 ft/ft <sup>2</sup> (rails) 0.98 m/m <sup>2</sup> (rails)									
	4 (10.2)	0.065 (0.368)	15.453 (2.721)	0.063 (0.356)	15.961 (2.81)	0.061 (0.348)	16.318 (2.873)	0.061 (0.344)	16.51 (2.907)	0.06 (0.34)	16.687 (2.938)
	5 (12.7)	0.054 (0.308)	18.42 (3.243)	0.052 (0.297)	19.119 (3.366)	0.051 (0.29)	19.614 (3.453)	0.05 (0.286)	19.883 (3.5)	0.05 (0.282)	20.131 (3.544)
	6 (15.2)	0.047 (0.264)	21.497 (3.785)	0.045 (0.254)	22.373 (3.939)	0.043 (0.247)	22.996 (4.049)	0.043 (0.243)	23.334 (4.108)	0.042 (0.24)	23.648 (4.163)

<sup>a</sup>Between insulation thicknesses the values can be interpolated

# R-VALUE TABLES

## Fox VI Concrete 6" (152.4mm)

Brackets: MFT-FOX VI medium (aluminum L-bracket with thermal pad)

Base Material: Concrete 6" (152.4mm)

Horizontal Stud to Stud Spacing	Exterior Insulation Thickness <sup>a</sup> in. (cm)	Vertical Bracket to Bracket Spacing									
		24" Vertical (609.6mm)		30" Vertical (762mm)		36" Vertical (914.4mm)		42" Vertical (1066.8mm)		48" Vertical (1219.2mm)	
		Effective U-Value BTU/h*ft <sup>2</sup> *°F (W/m <sup>2</sup> K)	Effective R-Value h*ft <sup>2</sup> *°F/ BTU (m <sup>2</sup> K/W)	Effective U-Value BTU/h*ft <sup>2</sup> *°F (W/m <sup>2</sup> K)	Effective R-Value h*ft <sup>2</sup> *°F/ BTU (m <sup>2</sup> K/W)	Effective U-Value BTU/h*ft <sup>2</sup> *°F (W/m <sup>2</sup> K)	Effective R-Value h*ft <sup>2</sup> *°F/ BTU (m <sup>2</sup> K/W)	Effective U-Value BTU/h*ft <sup>2</sup> *°F (W/m <sup>2</sup> K)	Effective R-Value h*ft <sup>2</sup> *°F/ BTU (m <sup>2</sup> K/W)	Effective U-Value BTU/h*ft <sup>2</sup> *°F (W/m <sup>2</sup> K)	Effective R-Value h*ft <sup>2</sup> *°F/ BTU (m <sup>2</sup> K/W)
16" (406.4mm)		0.38 pcs/ft <sup>2</sup> (bracket) 4.04 pcs/m <sup>2</sup> (bracket)		0.3 pcs/ft <sup>2</sup> (bracket) 3.28 pcs/m <sup>2</sup> (bracket)		0.26 pcs/ft <sup>2</sup> (bracket) 2.78 pcs/m <sup>2</sup> (bracket)		0.23 pcs/ft <sup>2</sup> (bracket) 2.52 pcs/m <sup>2</sup> (bracket)		0.21 pcs/ft <sup>2</sup> (bracket) 2.28 pcs/m <sup>2</sup> (bracket)	
		0.75 ft/ft <sup>2</sup> (rails) 2.46 m/m <sup>2</sup> (rails)									
	4 (10.2)	0.082 (0.464)	12.229 (2.153)	0.077 (0.435)	13.05 (2.298)	0.073 (0.416)	13.661 (2.405)	0.071 (0.406)	14.003 (2.465)	0.07 (0.396)	14.326 (2.522)
	5 (12.7)	0.07 (0.4)	14.188 (2.498)	0.066 (0.372)	15.263 (2.687)	0.062 (0.353)	16.073 (2.83)	0.06 (0.344)	16.53 (2.91)	0.059 (0.335)	16.965 (2.987)
	6 (15.2)	0.061 (0.348)	16.336 (2.876)	0.057 (0.322)	17.647 (3.107)	0.054 (0.305)	18.643 (3.282)	0.052 (0.296)	19.208 (3.382)	0.051 (0.288)	19.748 (3.477)
24" (609.6mm)		0.25 pcs/ft <sup>2</sup> (bracket) 2.69 pcs/m <sup>2</sup> (bracket)		0.2 pcs/ft <sup>2</sup> (bracket) 2.19 pcs/m <sup>2</sup> (bracket)		0.17 pcs/ft <sup>2</sup> (bracket) 1.85 pcs/m <sup>2</sup> (bracket)		0.16 pcs/ft <sup>2</sup> (bracket) 1.68 pcs/m <sup>2</sup> (bracket)		0.14 pcs/ft <sup>2</sup> (bracket) 1.52 pcs/m <sup>2</sup> (bracket)	
		0.5 ft/ft <sup>2</sup> (rails) 1.64 m/m <sup>2</sup> (rails)									
	4 (10.2)	0.072 (0.41)	13.853 (2.439)	0.069 (0.391)	14.544 (2.561)	0.066 (0.378)	15.044 (2.649)	0.065 (0.371)	15.318 (2.697)	0.064 (0.365)	15.574 (2.742)
	5 (12.7)	0.061 (0.349)	16.283 (2.867)	0.058 (0.33)	17.21 (3.03)	0.056 (0.318)	17.888 (3.149)	0.055 (0.311)	18.263 (3.215)	0.054 (0.305)	18.614 (3.277)
	6 (15.2)	0.053 (0.301)	18.868 (3.322)	0.05 (0.284)	20.014 (3.524)	0.048 (0.272)	20.856 (3.672)	0.047 (0.266)	21.324 (3.754)	0.046 (0.261)	21.764 (3.832)
32" (812.8mm)		0.19 pcs/ft <sup>2</sup> (bracket) 2.02 pcs/m <sup>2</sup> (bracket)		0.15 pcs/ft <sup>2</sup> (bracket) 1.64 pcs/m <sup>2</sup> (bracket)		0.13 pcs/ft <sup>2</sup> (bracket) 1.39 pcs/m <sup>2</sup> (bracket)		0.12 pcs/ft <sup>2</sup> (bracket) 1.26 pcs/m <sup>2</sup> (bracket)		0.11 pcs/ft <sup>2</sup> (bracket) 1.14 pcs/m <sup>2</sup> (bracket)	
		0.38 ft/ft <sup>2</sup> (rails) 1.23 m/m <sup>2</sup> (rails)									
	4 (10.2)	0.067 (0.383)	14.838 (2.612)	0.065 (0.368)	15.427 (2.716)	0.063 (0.358)	15.846 (2.79)	0.062 (0.353)	16.073 (2.83)	0.061 (0.349)	16.284 (2.867)
	5 (12.7)	0.057 (0.323)	17.581 (3.095)	0.054 (0.309)	18.383 (3.236)	0.053 (0.3)	18.958 (3.338)	0.052 (0.295)	19.272 (3.393)	0.051 (0.29)	19.565 (3.445)
	6 (15.2)	0.049 (0.278)	20.454 (3.601)	0.047 (0.265)	21.452 (3.777)	0.045 (0.256)	22.172 (3.904)	0.044 (0.252)	22.567 (3.973)	0.044 (0.248)	22.935 (4.038)
40" (1016mm)		0.15 pcs/ft <sup>2</sup> (bracket) 1.61 pcs/m <sup>2</sup> (bracket)		0.12 pcs/ft <sup>2</sup> (bracket) 1.31 pcs/m <sup>2</sup> (bracket)		0.1 pcs/ft <sup>2</sup> (bracket) 1.11 pcs/m <sup>2</sup> (bracket)		0.09 pcs/ft <sup>2</sup> (bracket) 1.01 pcs/m <sup>2</sup> (bracket)		0.08 pcs/ft <sup>2</sup> (bracket) 0.91 pcs/m <sup>2</sup> (bracket)	
		0.3 ft/ft <sup>2</sup> (rails) 0.98 m/m <sup>2</sup> (rails)									
	4 (10.2)	0.065 (0.366)	15.499 (2.729)	0.062 (0.355)	16.01 (2.819)	0.061 (0.347)	16.369 (2.882)	0.06 (0.343)	16.563 (2.916)	0.06 (0.339)	16.741 (2.947)
	5 (12.7)	0.054 (0.308)	18.464 (3.251)	0.052 (0.296)	19.166 (3.374)	0.051 (0.289)	19.664 (3.462)	0.05 (0.285)	19.934 (3.509)	0.05 (0.281)	20.183 (3.553)
	6 (15.2)	0.046 (0.264)	21.54 (3.792)	0.045 (0.253)	22.419 (3.947)	0.043 (0.246)	23.045 (4.057)	0.043 (0.243)	23.385 (4.117)	0.042 (0.24)	23.7 (4.173)

<sup>a</sup>Between insulation thicknesses the values can be interpolated

# R-VALUE TABLES

## Fox VI Concrete 8" (203.2mm)

Brackets: MFT-FOX VI medium (aluminum L-bracket with thermal pad)

Base Material: Concrete 8" (203.2mm)

Horizontal Stud to Stud Spacing	Exterior Insulation Thickness <sup>1</sup> in. (cm)	Vertical Bracket to Bracket Spacing									
		24" Vertical (609.6mm)		30" Vertical (762mm)		36" Vertical (914.4mm)		42" Vertical (1066.8mm)		48" Vertical (1219.2mm)	
		Effective U-Value BTU/h*ft <sup>2</sup> *°F (W/m <sup>2</sup> K)	Effective R-Value h*ft <sup>2</sup> *°F/ BTU (m <sup>2</sup> K/W)	Effective U-Value BTU/h*ft <sup>2</sup> *°F (W/m <sup>2</sup> K)	Effective R-Value h*ft <sup>2</sup> *°F/ BTU (m <sup>2</sup> K/W)	Effective U-Value BTU/h*ft <sup>2</sup> *°F (W/m <sup>2</sup> K)	Effective R-Value h*ft <sup>2</sup> *°F/ BTU (m <sup>2</sup> K/W)	Effective U-Value BTU/h*ft <sup>2</sup> *°F (W/m <sup>2</sup> K)	Effective R-Value h*ft <sup>2</sup> *°F/ BTU (m <sup>2</sup> K/W)	Effective U-Value BTU/h*ft <sup>2</sup> *°F (W/m <sup>2</sup> K)	Effective R-Value h*ft <sup>2</sup> *°F/ BTU (m <sup>2</sup> K/W)
16" (406.4mm)		0.38 pcs/ft <sup>2</sup> (bracket) 4.04 pcs/m <sup>2</sup> (bracket)		0.3 pcs/ft <sup>2</sup> (bracket) 3.28 pcs/m <sup>2</sup> (bracket)		0.26 pcs/ft <sup>2</sup> (bracket) 2.78 pcs/m <sup>2</sup> (bracket)		0.23 pcs/ft <sup>2</sup> (bracket) 2.52 pcs/m <sup>2</sup> (bracket)		0.21 pcs/ft <sup>2</sup> (bracket) 2.28 pcs/m <sup>2</sup> (bracket)	
		0.75 ft/ft <sup>2</sup> (rails) 2.46 m/m <sup>2</sup> (rails)									
	4 (10.2)	0.081 (0.462)	12.286 (2.163)	0.076 (0.433)	13.116 (2.309)	0.073 (0.414)	13.733 (2.418)	0.071 (0.403)	14.078 (2.479)	0.069 (0.394)	14.405 (2.536)
	5 (12.7)	0.07 (0.399)	14.24 (2.507)	0.065 (0.371)	15.323 (2.698)	0.062 (0.352)	16.139 (2.841)	0.06 (0.342)	16.6 (2.923)	0.059 (0.333)	17.039 (3)
6 (15.2)	0.061 (0.347)	16.385 (2.885)	0.056 (0.321)	17.704 (3.117)	0.053 (0.304)	18.707 (3.294)	0.052 (0.295)	19.276 (3.394)	0.05 (0.287)	19.82 (3.489)	
24" (609.6mm)		0.25 pcs/ft <sup>2</sup> (bracket) 2.69 pcs/m <sup>2</sup> (bracket)		0.2 pcs/ft <sup>2</sup> (bracket) 2.19 pcs/m <sup>2</sup> (bracket)		0.17 pcs/ft <sup>2</sup> (bracket) 1.85 pcs/m <sup>2</sup> (bracket)		0.16 pcs/ft <sup>2</sup> (bracket) 1.68 pcs/m <sup>2</sup> (bracket)		0.14 pcs/ft <sup>2</sup> (bracket) 1.52 pcs/m <sup>2</sup> (bracket)	
		0.5 ft/ft <sup>2</sup> (rails) 1.64 m/m <sup>2</sup> (rails)									
	4 (10.2)	0.072 (0.408)	13.927 (2.452)	0.068 (0.388)	14.626 (2.575)	0.066 (0.375)	15.131 (2.664)	0.065 (0.369)	15.409 (2.713)	0.064 (0.363)	15.668 (2.758)
	5 (12.7)	0.061 (0.347)	16.351 (2.879)	0.058 (0.329)	17.286 (3.043)	0.056 (0.316)	17.97 (3.164)	0.055 (0.31)	18.348 (3.23)	0.053 (0.304)	18.703 (3.293)
6 (15.2)	0.053 (0.3)	18.934 (3.333)	0.05 (0.283)	20.087 (3.537)	0.048 (0.271)	20.936 (3.686)	0.047 (0.265)	21.408 (3.769)	0.046 (0.26)	21.851 (3.847)	
32" (812.8mm)		0.19 pcs/ft <sup>2</sup> (bracket) 2.02 pcs/m <sup>2</sup> (bracket)		0.15 pcs/ft <sup>2</sup> (bracket) 1.64 pcs/m <sup>2</sup> (bracket)		0.13 pcs/ft <sup>2</sup> (bracket) 1.39 pcs/m <sup>2</sup> (bracket)		0.12 pcs/ft <sup>2</sup> (bracket) 1.26 pcs/m <sup>2</sup> (bracket)		0.11 pcs/ft <sup>2</sup> (bracket) 1.14 pcs/m <sup>2</sup> (bracket)	
		0.38 ft/ft <sup>2</sup> (rails) 1.23 m/m <sup>2</sup> (rails)									
	4 (10.2)	0.067 (0.381)	14.923 (2.627)	0.064 (0.366)	15.519 (2.732)	0.063 (0.356)	15.943 (2.807)	0.062 (0.351)	16.173 (2.847)	0.061 (0.347)	16.386 (2.885)
	5 (12.7)	0.057 (0.322)	17.66 (3.109)	0.054 (0.308)	18.47 (3.252)	0.052 (0.298)	19.051 (3.354)	0.052 (0.293)	19.368 (3.41)	0.051 (0.289)	19.663 (3.462)
6 (15.2)	0.049 (0.277)	20.531 (3.615)	0.046 (0.264)	21.537 (3.792)	0.045 (0.255)	22.262 (3.919)	0.044 (0.251)	22.66 (3.99)	0.043 (0.247)	23.032 (4.055)	
40" (1016mm)		0.15 pcs/ft <sup>2</sup> (bracket) 1.61 pcs/m <sup>2</sup> (bracket)		0.12 pcs/ft <sup>2</sup> (bracket) 1.31 pcs/m <sup>2</sup> (bracket)		0.1 pcs/ft <sup>2</sup> (bracket) 1.11 pcs/m <sup>2</sup> (bracket)		0.09 pcs/ft <sup>2</sup> (bracket) 1.01 pcs/m <sup>2</sup> (bracket)		0.08 pcs/ft <sup>2</sup> (bracket) 0.91 pcs/m <sup>2</sup> (bracket)	
		0.3 ft/ft <sup>2</sup> (rails) 0.98 m/m <sup>2</sup> (rails)									
	4 (10.2)	0.064 (0.364)	15.592 (2.745)	0.062 (0.353)	16.109 (2.836)	0.061 (0.345)	16.473 (2.9)	0.06 (0.341)	16.669 (2.935)	0.059 (0.337)	16.85 (2.966)
	5 (12.7)	0.054 (0.306)	18.551 (3.266)	0.052 (0.295)	19.261 (3.391)	0.051 (0.287)	19.763 (3.479)	0.05 (0.283)	20.036 (3.527)	0.049 (0.28)	20.288 (3.572)
6 (15.2)	0.046 (0.263)	21.625 (3.807)	0.044 (0.252)	22.511 (3.963)	0.043 (0.245)	23.142 (4.074)	0.043 (0.242)	23.485 (4.135)	0.042 (0.239)	23.803 (4.191)	

<sup>1</sup>Between insulation thicknesses the values can be interpolated

# R-VALUE TABLES

## Fox VI Concrete 10" (254mm)

Brackets: MFT-FOX VI medium (aluminum L-bracket with thermal pad)

Base Material: Concrete 10" (254mm)

Horizontal Stud to Stud Spacing	Exterior Insulation Thickness <sup>a</sup> in. (cm)	Vertical Bracket to Bracket Spacing									
		24" Vertical (609.6mm)		30" Vertical (762mm)		36" Vertical (914.4mm)		42" Vertical (1066.8mm)		48" Vertical (1219.2mm)	
		Effective U-Value BTU/h*ft <sup>2</sup> *°F (W/m <sup>2</sup> K)	Effective R-Value h*ft <sup>2</sup> *°F/ BTU (m <sup>2</sup> K/W)	Effective U-Value BTU/h*ft <sup>2</sup> *°F (W/m <sup>2</sup> K)	Effective R-Value h*ft <sup>2</sup> *°F/ BTU (m <sup>2</sup> K/W)	Effective U-Value BTU/h*ft <sup>2</sup> *°F (W/m <sup>2</sup> K)	Effective R-Value h*ft <sup>2</sup> *°F/ BTU (m <sup>2</sup> K/W)	Effective U-Value BTU/h*ft <sup>2</sup> *°F (W/m <sup>2</sup> K)	Effective R-Value h*ft <sup>2</sup> *°F/ BTU (m <sup>2</sup> K/W)	Effective U-Value BTU/h*ft <sup>2</sup> *°F (W/m <sup>2</sup> K)	Effective R-Value h*ft <sup>2</sup> *°F/ BTU (m <sup>2</sup> K/W)
16" (406.4mm)		0.38 pcs/ft <sup>2</sup> (bracket) 4.04 pcs/m <sup>2</sup> (bracket)		0.3 pcs/ft <sup>2</sup> (bracket) 3.28 pcs/m <sup>2</sup> (bracket)		0.26 pcs/ft <sup>2</sup> (bracket) 2.78 pcs/m <sup>2</sup> (bracket)		0.23 pcs/ft <sup>2</sup> (bracket) 2.52 pcs/m <sup>2</sup> (bracket)		0.21 pcs/ft <sup>2</sup> (bracket) 2.28 pcs/m <sup>2</sup> (bracket)	
		0.75 ft/ft <sup>2</sup> (rails) 2.46 m/m <sup>2</sup> (rails)									
	4 (10.2)	0.081 (0.46)	12.344 (2.173)	0.076 (0.431)	13.181 (2.321)	0.072 (0.411)	13.805 (2.43)	0.071 (0.401)	14.154 (2.492)	0.069 (0.392)	14.484 (2.55)
	5 (12.7)	0.07 (0.397)	14.292 (2.516)	0.065 (0.369)	15.382 (2.708)	0.062 (0.35)	16.206 (2.853)	0.06 (0.341)	16.67 (2.935)	0.058 (0.332)	17.113 (3.013)
6 (15.2)	0.061 (0.346)	16.433 (2.893)	0.056 (0.32)	17.761 (3.127)	0.053 (0.303)	18.771 (3.305)	0.052 (0.294)	19.344 (3.406)	0.05 (0.286)	19.891 (3.502)	
24" (609.6mm)		0.25 pcs/ft <sup>2</sup> (bracket) 2.69 pcs/m <sup>2</sup> (bracket)		0.2 pcs/ft <sup>2</sup> (bracket) 2.19 pcs/m <sup>2</sup> (bracket)		0.17 pcs/ft <sup>2</sup> (bracket) 1.85 pcs/m <sup>2</sup> (bracket)		0.16 pcs/ft <sup>2</sup> (bracket) 1.68 pcs/m <sup>2</sup> (bracket)		0.14 pcs/ft <sup>2</sup> (bracket) 1.52 pcs/m <sup>2</sup> (bracket)	
		0.5 ft/ft <sup>2</sup> (rails) 1.64 m/m <sup>2</sup> (rails)									
	4 (10.2)	0.071 (0.406)	14 (2.465)	0.068 (0.386)	14.707 (2.589)	0.066 (0.373)	15.218 (2.679)	0.065 (0.366)	15.499 (2.729)	0.063 (0.36)	15.761 (2.775)
	5 (12.7)	0.061 (0.346)	16.419 (2.891)	0.058 (0.327)	17.362 (3.057)	0.055 (0.315)	18.052 (3.178)	0.054 (0.308)	18.434 (3.245)	0.053 (0.302)	18.792 (3.308)
6 (15.2)	0.053 (0.299)	18.999 (3.345)	0.05 (0.282)	20.161 (3.549)	0.048 (0.27)	21.016 (3.7)	0.047 (0.264)	21.491 (3.784)	0.046 (0.259)	21.938 (3.862)	
32" (812.8mm)		0.19 pcs/ft <sup>2</sup> (bracket) 2.02 pcs/m <sup>2</sup> (bracket)		0.15 pcs/ft <sup>2</sup> (bracket) 1.64 pcs/m <sup>2</sup> (bracket)		0.13 pcs/ft <sup>2</sup> (bracket) 1.39 pcs/m <sup>2</sup> (bracket)		0.12 pcs/ft <sup>2</sup> (bracket) 1.26 pcs/m <sup>2</sup> (bracket)		0.11 pcs/ft <sup>2</sup> (bracket) 1.14 pcs/m <sup>2</sup> (bracket)	
		0.38 ft/ft <sup>2</sup> (rails) 1.23 m/m <sup>2</sup> (rails)									
	4 (10.2)	0.067 (0.378)	15.007 (2.642)	0.064 (0.364)	15.61 (2.748)	0.062 (0.354)	16.039 (2.824)	0.061 (0.349)	16.272 (2.865)	0.061 (0.344)	16.488 (2.903)
	5 (12.7)	0.056 (0.32)	17.74 (3.123)	0.054 (0.306)	18.556 (3.267)	0.052 (0.297)	19.143 (3.37)	0.051 (0.292)	19.463 (3.427)	0.051 (0.287)	19.762 (3.479)
6 (15.2)	0.049 (0.276)	20.607 (3.628)	0.046 (0.263)	21.621 (3.807)	0.045 (0.254)	22.353 (3.935)	0.044 (0.25)	22.754 (4.006)	0.043 (0.246)	23.128 (4.072)	
40" (1016mm)		0.15 pcs/ft <sup>2</sup> (bracket) 1.61 pcs/m <sup>2</sup> (bracket)		0.12 pcs/ft <sup>2</sup> (bracket) 1.31 pcs/m <sup>2</sup> (bracket)		0.1 pcs/ft <sup>2</sup> (bracket) 1.11 pcs/m <sup>2</sup> (bracket)		0.09 pcs/ft <sup>2</sup> (bracket) 1.01 pcs/m <sup>2</sup> (bracket)		0.08 pcs/ft <sup>2</sup> (bracket) 0.91 pcs/m <sup>2</sup> (bracket)	
		0.3 ft/ft <sup>2</sup> (rails) 0.98 m/m <sup>2</sup> (rails)									
	4 (10.2)	0.064 (0.362)	15.684 (2.761)	0.062 (0.35)	16.208 (2.853)	0.06 (0.343)	16.576 (2.918)	0.06 (0.339)	16.775 (2.953)	0.059 (0.335)	16.958 (2.985)
	5 (12.7)	0.054 (0.305)	18.639 (3.282)	0.052 (0.293)	19.355 (3.408)	0.05 (0.286)	19.863 (3.497)	0.05 (0.282)	20.138 (3.545)	0.049 (0.279)	20.393 (3.59)
6 (15.2)	0.046 (0.262)	21.71 (3.822)	0.044 (0.251)	22.603 (3.979)	0.043 (0.244)	23.239 (4.091)	0.042 (0.241)	23.585 (4.152)	0.042 (0.238)	23.906 (4.209)	

<sup>a</sup>Between insulation thicknesses the values can be interpolated

# R-VALUE TABLES

## Fox VI Concrete 12" (304.8mm)

Brackets: MFT-FOX VI medium (aluminum L-bracket with thermal pad)

Base Material: Concrete 12" (304.8mm)

Horizontal Stud to Stud Spacing	Exterior Insulation Thickness <sup>a</sup> in. (cm)	Vertical Bracket to Bracket Spacing									
		24" Vertical (609.6mm)		30" Vertical (762mm)		36" Vertical (914.4mm)		42" Vertical (1066.8mm)		48" Vertical (1219.2mm)	
		Effective U-Value BTU/h*ft <sup>2</sup> *°F (W/m <sup>2</sup> K)	Effective R-Value h*ft <sup>2</sup> *°F/ BTU (m <sup>2</sup> K/W)	Effective U-Value BTU/h*ft <sup>2</sup> *°F (W/m <sup>2</sup> K)	Effective R-Value h*ft <sup>2</sup> *°F/ BTU (m <sup>2</sup> K/W)	Effective U-Value BTU/h*ft <sup>2</sup> *°F (W/m <sup>2</sup> K)	Effective R-Value h*ft <sup>2</sup> *°F/ BTU (m <sup>2</sup> K/W)	Effective U-Value BTU/h*ft <sup>2</sup> *°F (W/m <sup>2</sup> K)	Effective R-Value h*ft <sup>2</sup> *°F/ BTU (m <sup>2</sup> K/W)	Effective U-Value BTU/h*ft <sup>2</sup> *°F (W/m <sup>2</sup> K)	Effective R-Value h*ft <sup>2</sup> *°F/ BTU (m <sup>2</sup> K/W)
16" (406.4mm)		0.38 pcs/ft <sup>2</sup> (bracket) 4.04 pcs/m <sup>2</sup> (bracket)		0.3 pcs/ft <sup>2</sup> (bracket) 3.28 pcs/m <sup>2</sup> (bracket)		0.26 pcs/ft <sup>2</sup> (bracket) 2.78 pcs/m <sup>2</sup> (bracket)		0.23 pcs/ft <sup>2</sup> (bracket) 2.52 pcs/m <sup>2</sup> (bracket)		0.21 pcs/ft <sup>2</sup> (bracket) 2.28 pcs/m <sup>2</sup> (bracket)	
		0.75 ft/ft <sup>2</sup> (rails) 2.46 m/m <sup>2</sup> (rails)									
	4 (10.2)	0.081 (0.458)	12.401 (2.183)	0.075 (0.429)	13.246 (2.332)	0.072 (0.409)	13.876 (2.443)	0.07 (0.399)	14.229 (2.505)	0.069 (0.39)	14.562 (2.564)
	5 (12.7)	0.07 (0.396)	14.343 (2.525)	0.065 (0.368)	15.442 (2.719)	0.061 (0.349)	16.271 (2.865)	0.06 (0.339)	16.74 (2.947)	0.058 (0.33)	17.186 (3.026)
	6 (15.2)	0.061 (0.345)	16.482 (2.902)	0.056 (0.319)	17.818 (3.137)	0.053 (0.302)	18.834 (3.316)	0.052 (0.293)	19.411 (3.417)	0.05 (0.285)	19.962 (3.514)
24" (609.6mm)		0.25 pcs/ft <sup>2</sup> (bracket) 2.69 pcs/m <sup>2</sup> (bracket)		0.2 pcs/ft <sup>2</sup> (bracket) 2.19 pcs/m <sup>2</sup> (bracket)		0.17 pcs/ft <sup>2</sup> (bracket) 1.85 pcs/m <sup>2</sup> (bracket)		0.16 pcs/ft <sup>2</sup> (bracket) 1.68 pcs/m <sup>2</sup> (bracket)		0.14 pcs/ft <sup>2</sup> (bracket) 1.52 pcs/m <sup>2</sup> (bracket)	
		0.5 ft/ft <sup>2</sup> (rails) 1.64 m/m <sup>2</sup> (rails)									
	4 (10.2)	0.071 (0.404)	14.074 (2.478)	0.068 (0.384)	14.788 (2.604)	0.065 (0.371)	15.305 (2.695)	0.064 (0.364)	15.589 (2.745)	0.063 (0.358)	15.854 (2.791)
	5 (12.7)	0.061 (0.345)	16.487 (2.903)	0.057 (0.326)	17.438 (3.07)	0.055 (0.313)	18.134 (3.193)	0.054 (0.307)	18.519 (3.26)	0.053 (0.301)	18.881 (3.324)
	6 (15.2)	0.052 (0.298)	19.064 (3.356)	0.049 (0.281)	20.234 (3.562)	0.047 (0.269)	21.095 (3.714)	0.046 (0.263)	21.574 (3.798)	0.045 (0.258)	22.024 (3.878)
32" (812.8mm)		0.19 pcs/ft <sup>2</sup> (bracket) 2.02 pcs/m <sup>2</sup> (bracket)		0.15 pcs/ft <sup>2</sup> (bracket) 1.64 pcs/m <sup>2</sup> (bracket)		0.13 pcs/ft <sup>2</sup> (bracket) 1.39 pcs/m <sup>2</sup> (bracket)		0.12 pcs/ft <sup>2</sup> (bracket) 1.26 pcs/m <sup>2</sup> (bracket)		0.11 pcs/ft <sup>2</sup> (bracket) 1.14 pcs/m <sup>2</sup> (bracket)	
		0.38 ft/ft <sup>2</sup> (rails) 1.23 m/m <sup>2</sup> (rails)									
	4 (10.2)	0.066 (0.376)	15.092 (2.657)	0.064 (0.362)	15.702 (2.764)	0.062 (0.352)	16.136 (2.841)	0.061 (0.347)	16.372 (2.882)	0.06 (0.342)	16.59 (2.921)
	5 (12.7)	0.056 (0.319)	17.819 (3.137)	0.054 (0.305)	18.643 (3.282)	0.052 (0.295)	19.235 (3.386)	0.051 (0.29)	19.558 (3.443)	0.05 (0.286)	19.86 (3.496)
	6 (15.2)	0.048 (0.275)	20.684 (3.642)	0.046 (0.262)	21.705 (3.821)	0.045 (0.253)	22.442 (3.951)	0.044 (0.249)	22.847 (4.022)	0.043 (0.245)	23.224 (4.089)
40" (1016mm)		0.15 pcs/ft <sup>2</sup> (bracket) 1.61 pcs/m <sup>2</sup> (bracket)		0.12 pcs/ft <sup>2</sup> (bracket) 1.31 pcs/m <sup>2</sup> (bracket)		0.1 pcs/ft <sup>2</sup> (bracket) 1.11 pcs/m <sup>2</sup> (bracket)		0.09 pcs/ft <sup>2</sup> (bracket) 1.01 pcs/m <sup>2</sup> (bracket)		0.08 pcs/ft <sup>2</sup> (bracket) 0.91 pcs/m <sup>2</sup> (bracket)	
		0.3 ft/ft <sup>2</sup> (rails) 0.98 m/m <sup>2</sup> (rails)									
	4 (10.2)	0.063 (0.36)	15.776 (2.778)	0.061 (0.348)	16.306 (2.871)	0.06 (0.341)	16.679 (2.936)	0.059 (0.336)	16.88 (2.972)	0.059 (0.333)	17.065 (3.004)
	5 (12.7)	0.053 (0.303)	18.726 (3.297)	0.051 (0.292)	19.449 (3.424)	0.05 (0.285)	19.962 (3.514)	0.049 (0.281)	20.24 (3.563)	0.049 (0.277)	20.497 (3.609)
	6 (15.2)	0.046 (0.261)	21.795 (3.837)	0.044 (0.25)	22.695 (3.996)	0.043 (0.243)	23.337 (4.109)	0.042 (0.24)	23.685 (4.17)	0.042 (0.237)	24.009 (4.227)

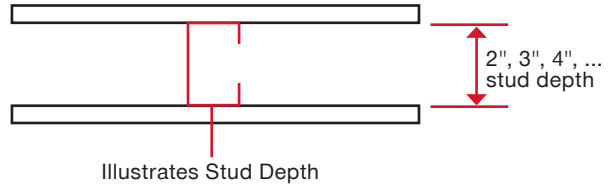
<sup>a</sup>Between insulation thicknesses the values can be interpolated

# R-VALUE TABLES

## Fox VI Metal Studs (Insulated) 2" (50.8mm)

Brackets: MFT-FOX VI medium (aluminum L-bracket with thermal pad)

Base Material: Metal studs (insulated)



Horizontal Stud to Stud Spacing	Exterior Insulation Thickness <sup>1</sup> in. (cm)	Vertical Bracket to Bracket Spacing									
		24" Vertical (609.6mm)		30" Vertical (762mm)		36" Vertical (914.4mm)		42" Vertical (1066.8mm)		48" Vertical (1219.2mm)	
		Effective U-Value BTU/h*ft <sup>2</sup> *°F (W/m <sup>2</sup> K)	Effective R-Value h*ft <sup>2</sup> *°F/ BTU (m <sup>2</sup> K/W)	Effective U-Value BTU/h*ft <sup>2</sup> *°F (W/m <sup>2</sup> K)	Effective R-Value h*ft <sup>2</sup> *°F/ BTU (m <sup>2</sup> K/W)	Effective U-Value BTU/h*ft <sup>2</sup> *°F (W/m <sup>2</sup> K)	Effective R-Value h*ft <sup>2</sup> *°F/ BTU (m <sup>2</sup> K/W)	Effective U-Value BTU/h*ft <sup>2</sup> *°F (W/m <sup>2</sup> K)	Effective R-Value h*ft <sup>2</sup> *°F/ BTU (m <sup>2</sup> K/W)	Effective U-Value BTU/h*ft <sup>2</sup> *°F (W/m <sup>2</sup> K)	Effective R-Value h*ft <sup>2</sup> *°F/ BTU (m <sup>2</sup> K/W)
16" (406.4mm)		0.38 pcs/ft <sup>2</sup> (bracket) 4.04 pcs/m <sup>2</sup> (bracket)		0.3 pcs/ft <sup>2</sup> (bracket) 3.28 pcs/m <sup>2</sup> (bracket)		0.26 pcs/ft <sup>2</sup> (bracket) 2.78 pcs/m <sup>2</sup> (bracket)		0.23 pcs/ft <sup>2</sup> (bracket) 2.52 pcs/m <sup>2</sup> (bracket)		0.21 pcs/ft <sup>2</sup> (bracket) 2.28 pcs/m <sup>2</sup> (bracket)	
		0.75 ft/ft <sup>2</sup> (rails) 2.46 m/m <sup>2</sup> (rails)									
	4 (10.2)	0.059 (0.336)	16.923 (2.979)	0.055 (0.313)	18.148 (3.195)	0.052 (0.298)	19.067 (3.357)	0.051 (0.29)	19.584 (3.448)	0.05 (0.283)	20.075 (3.534)
	5 (12.7)	0.054 (0.309)	18.402 (3.24)	0.05 (0.285)	19.914 (3.506)	0.047 (0.27)	21.065 (3.709)	0.046 (0.262)	21.719 (3.824)	0.045 (0.254)	22.345 (3.934)
	6 (15.2)	0.053 (0.302)	18.834 (3.316)	0.048 (0.275)	20.644 (3.634)	0.045 (0.258)	22.055 (3.883)	0.044 (0.248)	22.869 (4.026)	0.042 (0.24)	23.656 (4.165)
24" (609.6mm)		0.25 pcs/ft <sup>2</sup> (bracket) 2.69 pcs/m <sup>2</sup> (bracket)		0.2 pcs/ft <sup>2</sup> (bracket) 2.19 pcs/m <sup>2</sup> (bracket)		0.17 pcs/ft <sup>2</sup> (bracket) 1.85 pcs/m <sup>2</sup> (bracket)		0.16 pcs/ft <sup>2</sup> (bracket) 1.68 pcs/m <sup>2</sup> (bracket)		0.14 pcs/ft <sup>2</sup> (bracket) 1.52 pcs/m <sup>2</sup> (bracket)	
		0.5 ft/ft <sup>2</sup> (rails) 1.64 m/m <sup>2</sup> (rails)									
	4 (10.2)	0.052 (0.293)	19.392 (3.414)	0.049 (0.278)	20.447 (3.6)	0.047 (0.268)	21.215 (3.735)	0.046 (0.262)	21.639 (3.81)	0.045 (0.258)	22.035 (3.879)
	5 (12.7)	0.047 (0.266)	21.383 (3.765)	0.044 (0.25)	22.718 (4)	0.042 (0.24)	23.704 (4.173)	0.041 (0.234)	24.252 (4.27)	0.04 (0.229)	24.768 (4.361)
	6 (15.2)	0.045 (0.254)	22.376 (3.939)	0.042 (0.236)	24.046 (4.234)	0.04 (0.224)	25.303 (4.455)	0.038 (0.218)	26.012 (4.58)	0.037 (0.213)	26.685 (4.698)
32" (812.8mm)		0.19 pcs/ft <sup>2</sup> (bracket) 2.02 pcs/m <sup>2</sup> (bracket)		0.15 pcs/ft <sup>2</sup> (bracket) 1.64 pcs/m <sup>2</sup> (bracket)		0.13 pcs/ft <sup>2</sup> (bracket) 1.39 pcs/m <sup>2</sup> (bracket)		0.12 pcs/ft <sup>2</sup> (bracket) 1.26 pcs/m <sup>2</sup> (bracket)		0.11 pcs/ft <sup>2</sup> (bracket) 1.14 pcs/m <sup>2</sup> (bracket)	
		0.38 ft/ft <sup>2</sup> (rails) 1.23 m/m <sup>2</sup> (rails)									
	4 (10.2)	0.048 (0.272)	20.918 (3.683)	0.046 (0.26)	21.83 (3.843)	0.044 (0.253)	22.481 (3.958)	0.044 (0.249)	22.837 (4.021)	0.043 (0.245)	23.167 (4.079)
	5 (12.7)	0.043 (0.244)	23.267 (4.096)	0.041 (0.232)	24.44 (4.303)	0.04 (0.225)	25.288 (4.452)	0.039 (0.221)	25.753 (4.534)	0.038 (0.217)	26.188 (4.611)
	6 (15.2)	0.04 (0.23)	24.699 (4.348)	0.038 (0.217)	26.206 (4.614)	0.037 (0.208)	27.315 (4.809)	0.036 (0.203)	27.931 (4.917)	0.035 (0.199)	28.511 (5.019)
40" (1016mm)		0.15 pcs/ft <sup>2</sup> (bracket) 1.61 pcs/m <sup>2</sup> (bracket)		0.12 pcs/ft <sup>2</sup> (bracket) 1.31 pcs/m <sup>2</sup> (bracket)		0.1 pcs/ft <sup>2</sup> (bracket) 1.11 pcs/m <sup>2</sup> (bracket)		0.09 pcs/ft <sup>2</sup> (bracket) 1.01 pcs/m <sup>2</sup> (bracket)		0.08 pcs/ft <sup>2</sup> (bracket) 0.91 pcs/m <sup>2</sup> (bracket)	
		0.3 ft/ft <sup>2</sup> (rails) 0.98 m/m <sup>2</sup> (rails)									
	4 (10.2)	0.046 (0.259)	21.955 (3.865)	0.044 (0.25)	22.753 (4.006)	0.043 (0.244)	23.316 (4.105)	0.042 (0.24)	23.621 (4.159)	0.042 (0.238)	23.903 (4.208)
	5 (12.7)	0.041 (0.231)	24.566 (4.325)	0.039 (0.222)	25.603 (4.508)	0.038 (0.216)	26.344 (4.638)	0.037 (0.212)	26.747 (4.709)	0.037 (0.209)	27.121 (4.775)
	6 (15.2)	0.038 (0.216)	26.34 (4.637)	0.036 (0.205)	27.699 (4.877)	0.035 (0.198)	28.683 (5.05)	0.034 (0.194)	29.225 (5.145)	0.034 (0.191)	29.731 (5.234)

<sup>1</sup>Between insulation thicknesses the values can be interpolated

# R-VALUE TABLES

## Fox VI Metal Studs (Insulated) 3" (76.2mm)

**Brackets:** MFT-FOX VI medium (aluminum L-bracket with thermal pad)

**Base Material:** Metal studs (insulated)

Horizontal Stud to Stud Spacing	Exterior Insulation Thickness <sup>1</sup> in. (cm)	Vertical Bracket to Bracket Spacing									
		24" Vertical (609.6mm)		30" Vertical (762mm)		36" Vertical (914.4mm)		42" Vertical (1066.8mm)		48" Vertical (1219.2mm)	
		Effective U-Value BTU/h*ft <sup>2</sup> *°F (W/m <sup>2</sup> K)	Effective R-Value h*ft <sup>2</sup> *°F/ BTU (m <sup>2</sup> K/W)	Effective U-Value BTU/h*ft <sup>2</sup> *°F (W/m <sup>2</sup> K)	Effective R-Value h*ft <sup>2</sup> *°F/ BTU (m <sup>2</sup> K/W)	Effective U-Value BTU/h*ft <sup>2</sup> *°F (W/m <sup>2</sup> K)	Effective R-Value h*ft <sup>2</sup> *°F/ BTU (m <sup>2</sup> K/W)	Effective U-Value BTU/h*ft <sup>2</sup> *°F (W/m <sup>2</sup> K)	Effective R-Value h*ft <sup>2</sup> *°F/ BTU (m <sup>2</sup> K/W)	Effective U-Value BTU/h*ft <sup>2</sup> *°F (W/m <sup>2</sup> K)	Effective R-Value h*ft <sup>2</sup> *°F/ BTU (m <sup>2</sup> K/W)
16" (406.4mm)		0.38 pcs/ft <sup>2</sup> (bracket) 4.04 pcs/m <sup>2</sup> (bracket)		0.3 pcs/ft <sup>2</sup> (bracket) 3.28 pcs/m <sup>2</sup> (bracket)		0.26 pcs/ft <sup>2</sup> (bracket) 2.78 pcs/m <sup>2</sup> (bracket)		0.23 pcs/ft <sup>2</sup> (bracket) 2.52 pcs/m <sup>2</sup> (bracket)		0.21 pcs/ft <sup>2</sup> (bracket) 2.28 pcs/m <sup>2</sup> (bracket)	
		0.75 ft/ft <sup>2</sup> (rails) 2.46 m/m <sup>2</sup> (rails)									
	4 (10.2)	0.05 (0.287)	19.81 (3.488)	0.047 (0.265)	21.419 (3.771)	0.044 (0.251)	22.642 (3.986)	0.043 (0.243)	23.337 (4.109)	0.042 (0.237)	24.001 (4.226)
	5 (12.7)	0.047 (0.266)	21.36 (3.761)	0.043 (0.244)	23.25 (4.093)	0.04 (0.23)	24.704 (4.349)	0.039 (0.222)	25.536 (4.496)	0.038 (0.216)	26.336 (4.637)
6 (15.2)	0.044 (0.253)	22.476 (3.957)	0.041 (0.231)	24.642 (4.338)	0.038 (0.216)	26.331 (4.636)	0.037 (0.208)	27.306 (4.807)	0.035 (0.201)	28.249 (4.973)	
24" (609.6mm)		0.25 pcs/ft <sup>2</sup> (bracket) 2.69 pcs/m <sup>2</sup> (bracket)		0.2 pcs/ft <sup>2</sup> (bracket) 2.19 pcs/m <sup>2</sup> (bracket)		0.17 pcs/ft <sup>2</sup> (bracket) 1.85 pcs/m <sup>2</sup> (bracket)		0.16 pcs/ft <sup>2</sup> (bracket) 1.68 pcs/m <sup>2</sup> (bracket)		0.14 pcs/ft <sup>2</sup> (bracket) 1.52 pcs/m <sup>2</sup> (bracket)	
		0.5 ft/ft <sup>2</sup> (rails) 1.64 m/m <sup>2</sup> (rails)									
	4 (10.2)	0.043 (0.246)	23.09 (4.065)	0.041 (0.232)	24.521 (4.317)	0.039 (0.222)	25.575 (4.503)	0.038 (0.217)	26.162 (4.606)	0.037 (0.213)	26.714 (4.703)
	5 (12.7)	0.04 (0.226)	25.119 (4.422)	0.037 (0.212)	26.829 (4.723)	0.036 (0.202)	28.101 (4.947)	0.035 (0.197)	28.813 (5.073)	0.034 (0.193)	29.487 (5.191)
6 (15.2)	0.037 (0.213)	26.729 (4.706)	0.035 (0.198)	28.731 (5.058)	0.033 (0.188)	30.239 (5.324)	0.032 (0.183)	31.089 (5.473)	0.031 (0.178)	31.897 (5.616)	
32" (812.8mm)		0.19 pcs/ft <sup>2</sup> (bracket) 2.02 pcs/m <sup>2</sup> (bracket)		0.15 pcs/ft <sup>2</sup> (bracket) 1.64 pcs/m <sup>2</sup> (bracket)		0.13 pcs/ft <sup>2</sup> (bracket) 1.39 pcs/m <sup>2</sup> (bracket)		0.12 pcs/ft <sup>2</sup> (bracket) 1.26 pcs/m <sup>2</sup> (bracket)		0.11 pcs/ft <sup>2</sup> (bracket) 1.14 pcs/m <sup>2</sup> (bracket)	
		0.38 ft/ft <sup>2</sup> (rails) 1.23 m/m <sup>2</sup> (rails)									
	4 (10.2)	0.04 (0.226)	25.173 (4.432)	0.038 (0.215)	26.435 (4.654)	0.037 (0.208)	27.347 (4.815)	0.036 (0.204)	27.847 (4.903)	0.035 (0.201)	28.315 (4.985)
	5 (12.7)	0.036 (0.206)	27.543 (4.849)	0.034 (0.195)	29.066 (5.117)	0.033 (0.188)	30.176 (5.313)	0.032 (0.184)	30.789 (5.421)	0.032 (0.181)	31.363 (5.522)
6 (15.2)	0.034 (0.192)	29.522 (5.198)	0.032 (0.181)	31.331 (5.516)	0.031 (0.174)	32.663 (5.751)	0.03 (0.17)	33.403 (5.881)	0.029 (0.167)	34.099 (6.003)	
40" (1016mm)		0.15 pcs/ft <sup>2</sup> (bracket) 1.61 pcs/m <sup>2</sup> (bracket)		0.12 pcs/ft <sup>2</sup> (bracket) 1.31 pcs/m <sup>2</sup> (bracket)		0.1 pcs/ft <sup>2</sup> (bracket) 1.11 pcs/m <sup>2</sup> (bracket)		0.09 pcs/ft <sup>2</sup> (bracket) 1.01 pcs/m <sup>2</sup> (bracket)		0.08 pcs/ft <sup>2</sup> (bracket) 0.91 pcs/m <sup>2</sup> (bracket)	
		0.3 ft/ft <sup>2</sup> (rails) 0.98 m/m <sup>2</sup> (rails)									
	4 (10.2)	0.038 (0.213)	26.614 (4.686)	0.036 (0.205)	27.734 (4.883)	0.035 (0.199)	28.532 (5.023)	0.035 (0.196)	28.967 (5.1)	0.034 (0.193)	29.37 (5.171)
	5 (12.7)	0.034 (0.194)	29.235 (5.147)	0.033 (0.186)	30.596 (5.387)	0.032 (0.18)	31.575 (5.559)	0.031 (0.177)	32.11 (5.653)	0.031 (0.174)	32.608 (5.741)
6 (15.2)	0.032 (0.18)	31.497 (5.545)	0.03 (0.171)	33.13 (5.833)	0.029 (0.166)	34.313 (6.041)	0.029 (0.162)	34.964 (6.156)	0.028 (0.16)	35.572 (6.263)	

<sup>1</sup>Between insulation thicknesses the values can be interpolated



# R-VALUE TABLES

## Fox VI Metal Studs (Insulated) 4" (101.6mm)

Brackets: MFT-FOX VI medium (aluminum L-bracket with thermal pad)

Base Material: Metal studs (insulated)

Horizontal Stud to Stud Spacing	Exterior Insulation Thickness* in. (cm)	Vertical Bracket to Bracket Spacing									
		24" Vertical (609.6mm)		30" Vertical (762mm)		36" Vertical (914.4mm)		42" Vertical (1066.8mm)		48" Vertical (1219.2mm)	
		Effective U-Value BTU/h*ft <sup>2</sup> *°F (W/m <sup>2</sup> K)	Effective R-Value h*ft <sup>2</sup> *°F/ BTU (m <sup>2</sup> K/W)	Effective U-Value BTU/h*ft <sup>2</sup> *°F (W/m <sup>2</sup> K)	Effective R-Value h*ft <sup>2</sup> *°F/ BTU (m <sup>2</sup> K/W)	Effective U-Value BTU/h*ft <sup>2</sup> *°F (W/m <sup>2</sup> K)	Effective R-Value h*ft <sup>2</sup> *°F/ BTU (m <sup>2</sup> K/W)	Effective U-Value BTU/h*ft <sup>2</sup> *°F (W/m <sup>2</sup> K)	Effective R-Value h*ft <sup>2</sup> *°F/ BTU (m <sup>2</sup> K/W)	Effective U-Value BTU/h*ft <sup>2</sup> *°F (W/m <sup>2</sup> K)	Effective R-Value h*ft <sup>2</sup> *°F/ BTU (m <sup>2</sup> K/W)
16" (406.4mm)		0.38 pcs/ft <sup>2</sup> (bracket) 4.04 pcs/m <sup>2</sup> (bracket)		0.3 pcs/ft <sup>2</sup> (bracket) 3.28 pcs/m <sup>2</sup> (bracket)		0.26 pcs/ft <sup>2</sup> (bracket) 2.78 pcs/m <sup>2</sup> (bracket)		0.23 pcs/ft <sup>2</sup> (bracket) 2.52 pcs/m <sup>2</sup> (bracket)		0.21 pcs/ft <sup>2</sup> (bracket) 2.28 pcs/m <sup>2</sup> (bracket)	
		0.75 ft/ft <sup>2</sup> (rails) 2.46 m/m <sup>2</sup> (rails)									
	4 (10.2)	0.044 (0.249)	22.848 (4.022)	0.04 (0.228)	24.89 (4.382)	0.038 (0.215)	26.465 (4.659)	0.037 (0.208)	27.367 (4.818)	0.035 (0.201)	28.235 (4.971)
	5 (12.7)	0.041 (0.235)	24.203 (4.261)	0.038 (0.214)	26.535 (4.672)	0.035 (0.2)	28.354 (4.992)	0.034 (0.193)	29.404 (5.177)	0.033 (0.187)	30.419 (5.355)
	6 (15.2)	0.04 (0.226)	25.18 (4.433)	0.036 (0.204)	27.786 (4.892)	0.034 (0.19)	29.841 (5.254)	0.032 (0.183)	31.037 (5.464)	0.031 (0.176)	32.201 (5.669)
24" (609.6mm)		0.25 pcs/ft <sup>2</sup> (bracket) 2.69 pcs/m <sup>2</sup> (bracket)		0.2 pcs/ft <sup>2</sup> (bracket) 2.19 pcs/m <sup>2</sup> (bracket)		0.17 pcs/ft <sup>2</sup> (bracket) 1.85 pcs/m <sup>2</sup> (bracket)		0.16 pcs/ft <sup>2</sup> (bracket) 1.68 pcs/m <sup>2</sup> (bracket)		0.14 pcs/ft <sup>2</sup> (bracket) 1.52 pcs/m <sup>2</sup> (bracket)	
		0.5 ft/ft <sup>2</sup> (rails) 1.64 m/m <sup>2</sup> (rails)									
	4 (10.2)	0.037 (0.21)	27.061 (4.764)	0.035 (0.196)	28.936 (5.094)	0.033 (0.187)	30.335 (5.341)	0.032 (0.183)	31.119 (5.479)	0.031 (0.178)	31.861 (5.609)
	5 (12.7)	0.035 (0.197)	28.885 (5.085)	0.032 (0.183)	31.058 (5.468)	0.031 (0.174)	32.693 (5.756)	0.03 (0.169)	33.616 (5.918)	0.029 (0.165)	34.494 (6.073)
	6 (15.2)	0.033 (0.187)	30.334 (5.34)	0.03 (0.173)	32.805 (5.775)	0.029 (0.164)	34.685 (6.107)	0.028 (0.159)	35.753 (6.295)	0.027 (0.154)	36.774 (6.474)
32" (812.8mm)		0.19 pcs/ft <sup>2</sup> (bracket) 2.02 pcs/m <sup>2</sup> (bracket)		0.15 pcs/ft <sup>2</sup> (bracket) 1.64 pcs/m <sup>2</sup> (bracket)		0.13 pcs/ft <sup>2</sup> (bracket) 1.39 pcs/m <sup>2</sup> (bracket)		0.12 pcs/ft <sup>2</sup> (bracket) 1.26 pcs/m <sup>2</sup> (bracket)		0.11 pcs/ft <sup>2</sup> (bracket) 1.14 pcs/m <sup>2</sup> (bracket)	
		0.38 ft/ft <sup>2</sup> (rails) 1.23 m/m <sup>2</sup> (rails)									
	4 (10.2)	0.034 (0.191)	29.81 (5.248)	0.032 (0.18)	31.496 (5.545)	0.031 (0.174)	32.728 (5.762)	0.03 (0.17)	33.409 (5.882)	0.029 (0.167)	34.047 (5.994)
	5 (12.7)	0.031 (0.178)	31.979 (5.63)	0.029 (0.167)	33.951 (5.977)	0.028 (0.16)	35.403 (6.233)	0.028 (0.157)	36.21 (6.375)	0.027 (0.154)	36.97 (6.509)
	6 (15.2)	0.03 (0.168)	33.792 (5.949)	0.028 (0.158)	36.062 (6.349)	0.026 (0.15)	37.749 (6.646)	0.026 (0.147)	38.692 (6.812)	0.025 (0.143)	39.584 (6.969)
40" (1016mm)		0.15 pcs/ft <sup>2</sup> (bracket) 1.61 pcs/m <sup>2</sup> (bracket)		0.12 pcs/ft <sup>2</sup> (bracket) 1.31 pcs/m <sup>2</sup> (bracket)		0.1 pcs/ft <sup>2</sup> (bracket) 1.11 pcs/m <sup>2</sup> (bracket)		0.09 pcs/ft <sup>2</sup> (bracket) 1.01 pcs/m <sup>2</sup> (bracket)		0.08 pcs/ft <sup>2</sup> (bracket) 0.91 pcs/m <sup>2</sup> (bracket)	
		0.3 ft/ft <sup>2</sup> (rails) 0.98 m/m <sup>2</sup> (rails)									
	4 (10.2)	0.032 (0.179)	31.744 (5.589)	0.03 (0.171)	33.261 (5.856)	0.029 (0.165)	34.354 (6.048)	0.029 (0.163)	34.952 (6.154)	0.028 (0.16)	35.51 (6.252)
	5 (12.7)	0.029 (0.166)	34.175 (6.017)	0.028 (0.158)	35.96 (6.331)	0.027 (0.152)	37.255 (6.559)	0.026 (0.15)	37.968 (6.685)	0.026 (0.147)	38.634 (6.802)
	6 (15.2)	0.028 (0.157)	36.274 (6.386)	0.026 (0.148)	38.346 (6.751)	0.025 (0.142)	39.862 (7.018)	0.025 (0.14)	40.7 (7.166)	0.024 (0.137)	41.487 (7.304)

\*Between insulation thicknesses the values can be interpolated

# R-VALUE TABLES

## Fox VI Metal Studs (Insulated) 5" (127mm)

Brackets: MFT-FOX VI medium (aluminum L-bracket with thermal pad)

Base Material: Metal studs (insulated)

Horizontal Stud to Stud Spacing	Exterior Insulation Thickness <sup>a</sup> in. (cm)	Vertical Bracket to Bracket Spacing									
		24" Vertical (609.6mm)		30" Vertical (762mm)		36" Vertical (914.4mm)		42" Vertical (1066.8mm)		48" Vertical (1219.2mm)	
		Effective U-Value BTU/h*ft <sup>2</sup> *°F (W/m <sup>2</sup> K)	Effective R-Value h*ft <sup>2</sup> *°F/ BTU (m <sup>2</sup> K/W)	Effective U-Value BTU/h*ft <sup>2</sup> *°F (W/m <sup>2</sup> K)	Effective R-Value h*ft <sup>2</sup> *°F/ BTU (m <sup>2</sup> K/W)	Effective U-Value BTU/h*ft <sup>2</sup> *°F (W/m <sup>2</sup> K)	Effective R-Value h*ft <sup>2</sup> *°F/ BTU (m <sup>2</sup> K/W)	Effective U-Value BTU/h*ft <sup>2</sup> *°F (W/m <sup>2</sup> K)	Effective R-Value h*ft <sup>2</sup> *°F/ BTU (m <sup>2</sup> K/W)	Effective U-Value BTU/h*ft <sup>2</sup> *°F (W/m <sup>2</sup> K)	Effective R-Value h*ft <sup>2</sup> *°F/ BTU (m <sup>2</sup> K/W)
16" (406.4mm)		0.38 pcs/ft <sup>2</sup> (bracket) 4.04 pcs/m <sup>2</sup> (bracket)		0.3 pcs/ft <sup>2</sup> (bracket) 3.28 pcs/m <sup>2</sup> (bracket)		0.26 pcs/ft <sup>2</sup> (bracket) 2.78 pcs/m <sup>2</sup> (bracket)		0.23 pcs/ft <sup>2</sup> (bracket) 2.52 pcs/m <sup>2</sup> (bracket)		0.21 pcs/ft <sup>2</sup> (bracket) 2.28 pcs/m <sup>2</sup> (bracket)	
		0.75 ft/ft <sup>2</sup> (rails) 2.46 m/m <sup>2</sup> (rails)									
	4 (10.2)	0.041 (0.231)	24.59 (4.329)	0.037 (0.212)	26.833 (4.724)	0.035 (0.199)	28.567 (5.029)	0.034 (0.192)	29.562 (5.205)	0.033 (0.186)	30.521 (5.373)
	5 (12.7)	0.039 (0.219)	25.887 (4.558)	0.035 (0.2)	28.427 (5.005)	0.033 (0.187)	30.414 (5.354)	0.032 (0.18)	31.563 (5.557)	0.031 (0.174)	32.676 (5.753)
	6 (15.2)	0.037 (0.213)	26.689 (4.699)	0.034 (0.192)	29.507 (5.195)	0.032 (0.179)	31.737 (5.588)	0.03 (0.172)	33.039 (5.817)	0.029 (0.166)	34.307 (6.04)
24" (609.6mm)		0.25 pcs/ft <sup>2</sup> (bracket) 2.69 pcs/m <sup>2</sup> (bracket)		0.2 pcs/ft <sup>2</sup> (bracket) 2.19 pcs/m <sup>2</sup> (bracket)		0.17 pcs/ft <sup>2</sup> (bracket) 1.85 pcs/m <sup>2</sup> (bracket)		0.16 pcs/ft <sup>2</sup> (bracket) 1.68 pcs/m <sup>2</sup> (bracket)		0.14 pcs/ft <sup>2</sup> (bracket) 1.52 pcs/m <sup>2</sup> (bracket)	
		0.5 ft/ft <sup>2</sup> (rails) 1.64 m/m <sup>2</sup> (rails)									
	4 (10.2)	0.034 (0.194)	29.244 (5.149)	0.032 (0.181)	31.319 (5.514)	0.03 (0.173)	32.871 (5.787)	0.03 (0.168)	33.743 (5.941)	0.029 (0.164)	34.569 (6.086)
	5 (12.7)	0.032 (0.183)	31.006 (5.459)	0.03 (0.17)	33.389 (5.878)	0.028 (0.161)	35.188 (6.195)	0.028 (0.157)	36.205 (6.374)	0.027 (0.153)	37.174 (6.545)
	6 (15.2)	0.031 (0.176)	32.278 (5.683)	0.029 (0.162)	34.971 (6.157)	0.027 (0.153)	37.027 (6.519)	0.026 (0.149)	38.197 (6.725)	0.025 (0.144)	39.317 (6.922)
32" (812.8mm)		0.19 pcs/ft <sup>2</sup> (bracket) 2.02 pcs/m <sup>2</sup> (bracket)		0.15 pcs/ft <sup>2</sup> (bracket) 1.64 pcs/m <sup>2</sup> (bracket)		0.13 pcs/ft <sup>2</sup> (bracket) 1.39 pcs/m <sup>2</sup> (bracket)		0.12 pcs/ft <sup>2</sup> (bracket) 1.26 pcs/m <sup>2</sup> (bracket)		0.11 pcs/ft <sup>2</sup> (bracket) 1.14 pcs/m <sup>2</sup> (bracket)	
		0.38 ft/ft <sup>2</sup> (rails) 1.23 m/m <sup>2</sup> (rails)									
	4 (10.2)	0.031 (0.176)	32.3 (5.687)	0.029 (0.166)	34.176 (6.017)	0.028 (0.16)	35.55 (6.259)	0.028 (0.156)	36.311 (6.393)	0.027 (0.153)	37.025 (6.518)
	5 (12.7)	0.029 (0.165)	34.409 (6.058)	0.027 (0.155)	36.582 (6.44)	0.026 (0.149)	38.186 (6.723)	0.026 (0.145)	39.079 (6.88)	0.025 (0.142)	39.921 (7.028)
	6 (15.2)	0.028 (0.158)	36.053 (6.347)	0.026 (0.147)	38.539 (6.785)	0.025 (0.141)	40.392 (7.111)	0.024 (0.137)	41.431 (7.294)	0.024 (0.134)	42.414 (7.467)
40" (1016mm)		0.15 pcs/ft <sup>2</sup> (bracket) 1.61 pcs/m <sup>2</sup> (bracket)		0.12 pcs/ft <sup>2</sup> (bracket) 1.31 pcs/m <sup>2</sup> (bracket)		0.1 pcs/ft <sup>2</sup> (bracket) 1.11 pcs/m <sup>2</sup> (bracket)		0.09 pcs/ft <sup>2</sup> (bracket) 1.01 pcs/m <sup>2</sup> (bracket)		0.08 pcs/ft <sup>2</sup> (bracket) 0.91 pcs/m <sup>2</sup> (bracket)	
		0.3 ft/ft <sup>2</sup> (rails) 0.98 m/m <sup>2</sup> (rails)									
	4 (10.2)	0.029 (0.165)	34.461 (6.067)	0.028 (0.157)	36.155 (6.365)	0.027 (0.152)	37.377 (6.58)	0.026 (0.149)	38.048 (6.699)	0.026 (0.147)	38.673 (6.809)
	5 (12.7)	0.027 (0.154)	36.834 (6.485)	0.026 (0.146)	38.808 (6.832)	0.025 (0.141)	40.243 (7.085)	0.024 (0.138)	41.034 (7.224)	0.024 (0.136)	41.774 (7.355)
	6 (15.2)	0.026 (0.146)	38.774 (6.826)	0.024 (0.138)	41.052 (7.227)	0.023 (0.133)	42.723 (7.522)	0.023 (0.13)	43.648 (7.685)	0.022 (0.128)	44.518 (7.838)

<sup>a</sup>Between insulation thicknesses the values can be interpolated

# R-VALUE TABLES

## Fox VI Metal Studs (Insulated) 6" (152.4mm)

Brackets: MFT-FOX VI medium (aluminum L-bracket with thermal pad)

Base Material: Metal studs (insulated)

Horizontal Stud to Stud Spacing	Exterior Insulation Thickness <sup>a</sup> in. (cm)	Vertical Bracket to Bracket Spacing									
		24" Vertical (609.6mm)		30" Vertical (762mm)		36" Vertical (914.4mm)		42" Vertical (1066.8mm)		48" Vertical (1219.2mm)	
		Effective U-Value BTU/h*ft <sup>2</sup> *°F (W/m <sup>2</sup> K)	Effective R-Value h*ft <sup>2</sup> *°F/ BTU (m <sup>2</sup> K/W)	Effective U-Value BTU/h*ft <sup>2</sup> *°F (W/m <sup>2</sup> K)	Effective R-Value h*ft <sup>2</sup> *°F/ BTU (m <sup>2</sup> K/W)	Effective U-Value BTU/h*ft <sup>2</sup> *°F (W/m <sup>2</sup> K)	Effective R-Value h*ft <sup>2</sup> *°F/ BTU (m <sup>2</sup> K/W)	Effective U-Value BTU/h*ft <sup>2</sup> *°F (W/m <sup>2</sup> K)	Effective R-Value h*ft <sup>2</sup> *°F/ BTU (m <sup>2</sup> K/W)	Effective U-Value BTU/h*ft <sup>2</sup> *°F (W/m <sup>2</sup> K)	Effective R-Value h*ft <sup>2</sup> *°F/ BTU (m <sup>2</sup> K/W)
16" (406.4mm)		0.38 pcs/ft <sup>2</sup> (bracket) 4.04 pcs/m <sup>2</sup> (bracket)		0.3 pcs/ft <sup>2</sup> (bracket) 3.28 pcs/m <sup>2</sup> (bracket)		0.26 pcs/ft <sup>2</sup> (bracket) 2.78 pcs/m <sup>2</sup> (bracket)		0.23 pcs/ft <sup>2</sup> (bracket) 2.52 pcs/m <sup>2</sup> (bracket)		0.21 pcs/ft <sup>2</sup> (bracket) 2.28 pcs/m <sup>2</sup> (bracket)	
		0.75 ft/ft <sup>2</sup> (rails) 2.46 m/m <sup>2</sup> (rails)									
	4 (10.2)	0.038 (0.215)	26.383 (4.645)	0.035 (0.197)	28.821 (5.074)	0.033 (0.185)	30.709 (5.407)	0.031 (0.179)	31.795 (5.598)	0.03 (0.173)	32.841 (5.782)
	5 (12.7)	0.036 (0.206)	27.623 (4.863)	0.033 (0.187)	30.368 (5.346)	0.031 (0.175)	32.519 (5.725)	0.03 (0.168)	33.765 (5.944)	0.029 (0.162)	34.973 (6.157)
	6 (15.2)	0.035 (0.201)	28.227 (4.97)	0.032 (0.182)	31.255 (5.503)	0.03 (0.169)	33.658 (5.926)	0.029 (0.162)	35.062 (6.173)	0.027 (0.156)	36.433 (6.414)
24" (609.6mm)		0.25 pcs/ft <sup>2</sup> (bracket) 2.69 pcs/m <sup>2</sup> (bracket)		0.2 pcs/ft <sup>2</sup> (bracket) 2.19 pcs/m <sup>2</sup> (bracket)		0.17 pcs/ft <sup>2</sup> (bracket) 1.85 pcs/m <sup>2</sup> (bracket)		0.16 pcs/ft <sup>2</sup> (bracket) 1.68 pcs/m <sup>2</sup> (bracket)		0.14 pcs/ft <sup>2</sup> (bracket) 1.52 pcs/m <sup>2</sup> (bracket)	
		0.5 ft/ft <sup>2</sup> (rails) 1.64 m/m <sup>2</sup> (rails)									
	4 (10.2)	0.032 (0.18)	31.471 (5.541)	0.03 (0.168)	33.741 (5.94)	0.028 (0.16)	35.441 (6.24)	0.027 (0.156)	36.397 (6.408)	0.027 (0.152)	37.305 (6.568)
	5 (12.7)	0.03 (0.171)	33.175 (5.841)	0.028 (0.159)	35.763 (6.296)	0.027 (0.151)	37.722 (6.641)	0.026 (0.146)	38.83 (6.836)	0.025 (0.142)	39.886 (7.022)
	6 (15.2)	0.029 (0.166)	34.246 (6.029)	0.027 (0.153)	37.158 (6.542)	0.025 (0.144)	39.387 (6.934)	0.025 (0.14)	40.657 (7.158)	0.024 (0.136)	41.875 (7.372)
32" (812.8mm)		0.19 pcs/ft <sup>2</sup> (bracket) 2.02 pcs/m <sup>2</sup> (bracket)		0.15 pcs/ft <sup>2</sup> (bracket) 1.64 pcs/m <sup>2</sup> (bracket)		0.13 pcs/ft <sup>2</sup> (bracket) 1.39 pcs/m <sup>2</sup> (bracket)		0.12 pcs/ft <sup>2</sup> (bracket) 1.26 pcs/m <sup>2</sup> (bracket)		0.11 pcs/ft <sup>2</sup> (bracket) 1.14 pcs/m <sup>2</sup> (bracket)	
		0.38 ft/ft <sup>2</sup> (rails) 1.23 m/m <sup>2</sup> (rails)									
	4 (10.2)	0.029 (0.163)	34.829 (6.132)	0.027 (0.154)	36.889 (6.495)	0.026 (0.148)	38.4 (6.761)	0.025 (0.145)	39.237 (6.908)	0.025 (0.142)	40.024 (7.047)
	5 (12.7)	0.027 (0.154)	36.881 (6.493)	0.025 (0.145)	39.249 (6.91)	0.024 (0.139)	41.002 (7.219)	0.024 (0.135)	41.978 (7.391)	0.023 (0.132)	42.899 (7.553)
	6 (15.2)	0.026 (0.148)	38.334 (6.749)	0.024 (0.138)	41.033 (7.224)	0.023 (0.132)	43.051 (7.579)	0.023 (0.129)	44.183 (7.779)	0.022 (0.126)	45.255 (7.967)
40" (1016mm)		0.15 pcs/ft <sup>2</sup> (bracket) 1.61 pcs/m <sup>2</sup> (bracket)		0.12 pcs/ft <sup>2</sup> (bracket) 1.31 pcs/m <sup>2</sup> (bracket)		0.1 pcs/ft <sup>2</sup> (bracket) 1.11 pcs/m <sup>2</sup> (bracket)		0.09 pcs/ft <sup>2</sup> (bracket) 1.01 pcs/m <sup>2</sup> (bracket)		0.08 pcs/ft <sup>2</sup> (bracket) 0.91 pcs/m <sup>2</sup> (bracket)	
		0.3 ft/ft <sup>2</sup> (rails) 0.98 m/m <sup>2</sup> (rails)									
	4 (10.2)	0.0269 (0.153)	37.2117 (6.551)	0.0256 (0.145)	39.0765 (6.88)	0.0247 (0.141)	40.4246 (7.117)	0.0243 (0.138)	41.1646 (7.247)	0.0239 (0.136)	41.8554 (7.369)
	5 (12.7)	0.0253 (0.144)	39.5305 (6.96)	0.024 (0.136)	41.6877 (7.339)	0.0231 (0.131)	43.2586 (7.616)	0.0227 (0.129)	44.1251 (7.768)	0.0223 (0.126)	44.9365 (7.911)
	6 (15.2)	0.0242 (0.138)	41.2908 (7.27)	0.0228 (0.13)	43.7722 (7.706)	0.0219 (0.125)	45.5955 (8.027)	0.0215 (0.122)	46.6072 (8.206)	0.021 (0.119)	47.5585 (8.373)

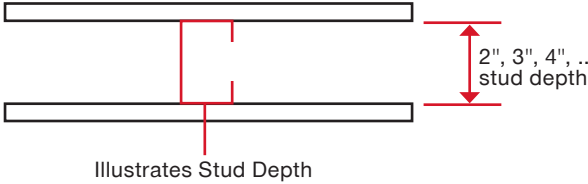
<sup>a</sup>Between insulation thicknesses the values can be interpolated

# R-VALUE TABLES

## Fox VI Metal Studs (Not-Insulated) 2" (50.8mm)

Brackets: MFT-FOX VI medium (aluminum L-bracket with thermal pad)

Base Material: Metal studs (Not-Insulated)



Horizontal Stud to Stud Spacing	Exterior Insulation Thickness <sup>*</sup> in. (cm)	Vertical Bracket to Bracket Spacing									
		24" Vertical (609.6mm)		30" Vertical (762mm)		36" Vertical (914.4mm)		42" Vertical (1066.8mm)		48" Vertical (1219.2mm)	
		Effective U-Value BTU/h*ft <sup>2</sup> *°F (W/m <sup>2</sup> K)	Effective R-Value h*ft <sup>2</sup> *°F/ BTU (m <sup>2</sup> K/W)	Effective U-Value BTU/h*ft <sup>2</sup> *°F (W/m <sup>2</sup> K)	Effective R-Value h*ft <sup>2</sup> *°F/ BTU (m <sup>2</sup> K/W)	Effective U-Value BTU/h*ft <sup>2</sup> *°F (W/m <sup>2</sup> K)	Effective R-Value h*ft <sup>2</sup> *°F/ BTU (m <sup>2</sup> K/W)	Effective U-Value BTU/h*ft <sup>2</sup> *°F (W/m <sup>2</sup> K)	Effective R-Value h*ft <sup>2</sup> *°F/ BTU (m <sup>2</sup> K/W)	Effective U-Value BTU/h*ft <sup>2</sup> *°F (W/m <sup>2</sup> K)	Effective R-Value h*ft <sup>2</sup> *°F/ BTU (m <sup>2</sup> K/W)
16" (406.4mm)		0.38 pcs/ft <sup>2</sup> (bracket) 4.04 pcs/m <sup>2</sup> (bracket)		0.3 pcs/ft <sup>2</sup> (bracket) 3.28 pcs/m <sup>2</sup> (bracket)		0.26 pcs/ft <sup>2</sup> (bracket) 2.78 pcs/m <sup>2</sup> (bracket)		0.23 pcs/ft <sup>2</sup> (bracket) 2.52 pcs/m <sup>2</sup> (bracket)		0.21 pcs/ft <sup>2</sup> (bracket) 2.28 pcs/m <sup>2</sup> (bracket)	
		0.75 ft/ft <sup>2</sup> (rails) 2.46 m/m <sup>2</sup> (rails)									
	4 (10.2)	0.081 (0.458)	12.403 (2.184)	0.075 (0.424)	13.398 (2.359)	0.071 (0.401)	14.154 (2.492)	0.069 (0.39)	14.582 (2.567)	0.067 (0.379)	14.991 (2.639)
	5 (12.7)	0.074 (0.421)	13.505 (2.378)	0.068 (0.385)	14.771 (2.601)	0.063 (0.361)	15.754 (2.774)	0.061 (0.348)	16.32 (2.873)	0.059 (0.337)	16.866 (2.969)
	6 (15.2)	0.068 (0.387)	14.682 (2.585)	0.062 (0.351)	16.194 (2.851)	0.058 (0.327)	17.385 (3.061)	0.055 (0.314)	18.078 (3.183)	0.053 (0.303)	18.752 (3.301)
24" (609.6mm)		0.25 pcs/ft <sup>2</sup> (bracket) 2.69 pcs/m <sup>2</sup> (bracket)		0.2 pcs/ft <sup>2</sup> (bracket) 2.19 pcs/m <sup>2</sup> (bracket)		0.17 pcs/ft <sup>2</sup> (bracket) 1.85 pcs/m <sup>2</sup> (bracket)		0.16 pcs/ft <sup>2</sup> (bracket) 1.68 pcs/m <sup>2</sup> (bracket)		0.14 pcs/ft <sup>2</sup> (bracket) 1.52 pcs/m <sup>2</sup> (bracket)	
		0.5 ft/ft <sup>2</sup> (rails) 1.64 m/m <sup>2</sup> (rails)									
	4 (10.2)	0.07 (0.395)	14.379 (2.532)	0.066 (0.372)	15.255 (2.686)	0.063 (0.357)	15.899 (2.799)	0.062 (0.349)	16.257 (2.862)	0.06 (0.342)	16.593 (2.921)
	5 (12.7)	0.063 (0.355)	15.996 (2.816)	0.058 (0.331)	17.157 (3.021)	0.055 (0.315)	18.028 (3.174)	0.054 (0.307)	18.518 (3.26)	0.053 (0.299)	18.983 (3.342)
	6 (15.2)	0.057 (0.322)	17.645 (3.107)	0.052 (0.298)	19.072 (3.358)	0.05 (0.282)	20.156 (3.549)	0.048 (0.273)	20.772 (3.657)	0.047 (0.266)	21.36 (3.76)
32" (812.8mm)		0.19 pcs/ft <sup>2</sup> (bracket) 2.02 pcs/m <sup>2</sup> (bracket)		0.15 pcs/ft <sup>2</sup> (bracket) 1.64 pcs/m <sup>2</sup> (bracket)		0.13 pcs/ft <sup>2</sup> (bracket) 1.39 pcs/m <sup>2</sup> (bracket)		0.12 pcs/ft <sup>2</sup> (bracket) 1.26 pcs/m <sup>2</sup> (bracket)		0.11 pcs/ft <sup>2</sup> (bracket) 1.14 pcs/m <sup>2</sup> (bracket)	
		0.38 ft/ft <sup>2</sup> (rails) 1.23 m/m <sup>2</sup> (rails)									
	4 (10.2)	0.064 (0.364)	15.624 (2.751)	0.061 (0.347)	16.39 (2.886)	0.059 (0.335)	16.943 (2.983)	0.058 (0.329)	17.247 (3.036)	0.057 (0.324)	17.53 (3.086)
	5 (12.7)	0.057 (0.322)	17.621 (3.102)	0.054 (0.304)	18.665 (3.286)	0.051 (0.292)	19.43 (3.421)	0.05 (0.286)	19.855 (3.496)	0.049 (0.28)	20.254 (3.566)
	6 (15.2)	0.051 (0.289)	19.626 (3.455)	0.048 (0.271)	20.932 (3.685)	0.046 (0.259)	21.902 (3.856)	0.045 (0.253)	22.444 (3.951)	0.044 (0.247)	22.956 (4.041)
40" (1016mm)		0.15 pcs/ft <sup>2</sup> (bracket) 1.61 pcs/m <sup>2</sup> (bracket)		0.12 pcs/ft <sup>2</sup> (bracket) 1.31 pcs/m <sup>2</sup> (bracket)		0.1 pcs/ft <sup>2</sup> (bracket) 1.11 pcs/m <sup>2</sup> (bracket)		0.09 pcs/ft <sup>2</sup> (bracket) 1.01 pcs/m <sup>2</sup> (bracket)		0.08 pcs/ft <sup>2</sup> (bracket) 0.91 pcs/m <sup>2</sup> (bracket)	
		0.3 ft/ft <sup>2</sup> (rails) 0.98 m/m <sup>2</sup> (rails)									
	4 (10.2)	0.061 (0.345)	16.479 (2.901)	0.058 (0.331)	17.156 (3.02)	0.057 (0.322)	17.639 (3.105)	0.056 (0.317)	17.901 (3.152)	0.055 (0.313)	18.144 (3.194)
	5 (12.7)	0.053 (0.303)	18.765 (3.304)	0.051 (0.288)	19.704 (3.469)	0.049 (0.279)	20.382 (3.588)	0.048 (0.274)	20.754 (3.654)	0.047 (0.269)	21.102 (3.715)
	6 (15.2)	0.048 (0.27)	21.043 (3.705)	0.045 (0.255)	22.233 (3.914)	0.043 (0.246)	23.102 (4.067)	0.042 (0.241)	23.583 (4.152)	0.042 (0.236)	24.033 (4.231)

\*Between insulation thicknesses the values can be interpolated

# R-VALUE TABLES

## Fox VI Metal Studs (Not-Insulated) 3" (76.2mm)

**Brackets:** MFT-FOX VI medium (aluminum L-bracket with thermal pad)

**Base Material:** Metal studs (Not-Insulated)

Horizontal Stud to Stud Spacing	Exterior Insulation Thickness <sup>a</sup> in. (cm)	Vertical Bracket to Bracket Spacing									
		24" Vertical (609.6mm)		30" Vertical (762mm)		36" Vertical (914.4mm)		42" Vertical (1066.8mm)		48" Vertical (1219.2mm)	
		Effective U-Value BTU/h*ft <sup>2</sup> *°F (W/m <sup>2</sup> K)	Effective R-Value h*ft <sup>2</sup> *°F/ BTU (m <sup>2</sup> K/W)	Effective U-Value BTU/h*ft <sup>2</sup> *°F (W/m <sup>2</sup> K)	Effective R-Value h*ft <sup>2</sup> *°F/ BTU (m <sup>2</sup> K/W)	Effective U-Value BTU/h*ft <sup>2</sup> *°F (W/m <sup>2</sup> K)	Effective R-Value h*ft <sup>2</sup> *°F/ BTU (m <sup>2</sup> K/W)	Effective U-Value BTU/h*ft <sup>2</sup> *°F (W/m <sup>2</sup> K)	Effective R-Value h*ft <sup>2</sup> *°F/ BTU (m <sup>2</sup> K/W)	Effective U-Value BTU/h*ft <sup>2</sup> *°F (W/m <sup>2</sup> K)	Effective R-Value h*ft <sup>2</sup> *°F/ BTU (m <sup>2</sup> K/W)
16" (406.4mm)		0.38 pcs/ft <sup>2</sup> (bracket) 4.04 pcs/m <sup>2</sup> (bracket)		0.3 pcs/ft <sup>2</sup> (bracket) 3.28 pcs/m <sup>2</sup> (bracket)		0.26 pcs/ft <sup>2</sup> (bracket) 2.78 pcs/m <sup>2</sup> (bracket)		0.23 pcs/ft <sup>2</sup> (bracket) 2.52 pcs/m <sup>2</sup> (bracket)		0.21 pcs/ft <sup>2</sup> (bracket) 2.28 pcs/m <sup>2</sup> (bracket)	
		0.75 ft/ft <sup>2</sup> (rails) 2.46 m/m <sup>2</sup> (rails)									
	4 (10.2)	0.079 (0.447)	12.717 (2.239)	0.073 (0.414)	13.715 (2.415)	0.069 (0.393)	14.47 (2.548)	0.067 (0.381)	14.898 (2.623)	0.065 (0.371)	15.306 (2.695)
	5 (12.7)	0.073 (0.416)	13.643 (2.402)	0.067 (0.381)	14.922 (2.627)	0.063 (0.357)	15.914 (2.802)	0.061 (0.345)	16.485 (2.902)	0.059 (0.333)	17.036 (2.999)
	6 (15.2)	0.067 (0.383)	14.838 (2.612)	0.061 (0.347)	16.362 (2.881)	0.057 (0.323)	17.563 (3.092)	0.055 (0.311)	18.261 (3.215)	0.053 (0.3)	18.94 (3.335)
24" (609.6mm)		0.25 pcs/ft <sup>2</sup> (bracket) 2.69 pcs/m <sup>2</sup> (bracket)		0.2 pcs/ft <sup>2</sup> (bracket) 2.19 pcs/m <sup>2</sup> (bracket)		0.17 pcs/ft <sup>2</sup> (bracket) 1.85 pcs/m <sup>2</sup> (bracket)		0.16 pcs/ft <sup>2</sup> (bracket) 1.68 pcs/m <sup>2</sup> (bracket)		0.14 pcs/ft <sup>2</sup> (bracket) 1.52 pcs/m <sup>2</sup> (bracket)	
		0.5 ft/ft <sup>2</sup> (rails) 1.64 m/m <sup>2</sup> (rails)									
	4 (10.2)	0.068 (0.386)	14.699 (2.588)	0.064 (0.365)	15.572 (2.742)	0.062 (0.35)	16.213 (2.854)	0.06 (0.343)	16.568 (2.917)	0.059 (0.336)	16.902 (2.976)
	5 (12.7)	0.062 (0.352)	16.159 (2.845)	0.058 (0.328)	17.332 (3.051)	0.055 (0.312)	18.211 (3.206)	0.053 (0.304)	18.705 (3.293)	0.052 (0.296)	19.175 (3.376)
	6 (15.2)	0.056 (0.319)	17.825 (3.138)	0.052 (0.295)	19.263 (3.391)	0.049 (0.279)	20.355 (3.584)	0.048 (0.271)	20.975 (3.693)	0.046 (0.263)	21.567 (3.797)
32" (812.8mm)		0.19 pcs/ft <sup>2</sup> (bracket) 2.02 pcs/m <sup>2</sup> (bracket)		0.15 pcs/ft <sup>2</sup> (bracket) 1.64 pcs/m <sup>2</sup> (bracket)		0.13 pcs/ft <sup>2</sup> (bracket) 1.39 pcs/m <sup>2</sup> (bracket)		0.12 pcs/ft <sup>2</sup> (bracket) 1.26 pcs/m <sup>2</sup> (bracket)		0.11 pcs/ft <sup>2</sup> (bracket) 1.14 pcs/m <sup>2</sup> (bracket)	
		0.38 ft/ft <sup>2</sup> (rails) 1.23 m/m <sup>2</sup> (rails)									
	4 (10.2)	0.063 (0.356)	15.942 (2.807)	0.06 (0.34)	16.704 (2.941)	0.058 (0.329)	17.252 (3.037)	0.057 (0.324)	17.552 (3.09)	0.056 (0.319)	17.832 (3.139)
	5 (12.7)	0.056 (0.319)	17.801 (3.134)	0.053 (0.301)	18.854 (3.319)	0.051 (0.289)	19.627 (3.456)	0.05 (0.283)	20.056 (3.531)	0.049 (0.278)	20.459 (3.602)
	6 (15.2)	0.05 (0.287)	19.821 (3.49)	0.047 (0.269)	21.136 (3.721)	0.045 (0.257)	22.113 (3.893)	0.044 (0.251)	22.658 (3.989)	0.043 (0.245)	23.174 (4.08)
40" (1016mm)		0.15 pcs/ft <sup>2</sup> (bracket) 1.61 pcs/m <sup>2</sup> (bracket)		0.12 pcs/ft <sup>2</sup> (bracket) 1.31 pcs/m <sup>2</sup> (bracket)		0.1 pcs/ft <sup>2</sup> (bracket) 1.11 pcs/m <sup>2</sup> (bracket)		0.09 pcs/ft <sup>2</sup> (bracket) 1.01 pcs/m <sup>2</sup> (bracket)		0.08 pcs/ft <sup>2</sup> (bracket) 0.91 pcs/m <sup>2</sup> (bracket)	
		0.3 ft/ft <sup>2</sup> (rails) 0.98 m/m <sup>2</sup> (rails)									
	4 (10.2)	0.06 (0.338)	16.794 (2.957)	0.057 (0.325)	17.465 (3.075)	0.056 (0.317)	17.942 (3.159)	0.055 (0.312)	18.201 (3.204)	0.054 (0.308)	18.441 (3.247)
	5 (12.7)	0.053 (0.3)	18.956 (3.337)	0.05 (0.285)	19.903 (3.504)	0.049 (0.276)	20.588 (3.625)	0.048 (0.271)	20.964 (3.691)	0.047 (0.266)	21.315 (3.753)
	6 (15.2)	0.047 (0.267)	21.248 (3.741)	0.045 (0.253)	22.446 (3.952)	0.043 (0.244)	23.321 (4.106)	0.042 (0.239)	23.805 (4.191)	0.041 (0.234)	24.258 (4.271)

<sup>a</sup>Between insulation thicknesses the values can be interpolated

# R-VALUE TABLES

## Fox VI Metal Studs (Not-Insulated) 4" (101.6mm)

**Brackets:** MFT-FOX VI medium (aluminum L-bracket with thermal pad)

**Base Material:** Metal studs (Not-Insulated)

Horizontal Stud to Stud Spacing	Exterior Insulation Thickness <sup>1</sup> in. (cm)	Vertical Bracket to Bracket Spacing									
		24" Vertical (609.6mm)		30" Vertical (762mm)		36" Vertical (914.4mm)		42" Vertical (1066.8mm)		48" Vertical (1219.2mm)	
		Effective U-Value BTU/h*ft <sup>2</sup> *°F (W/m <sup>2</sup> K)	Effective R-Value h*ft <sup>2</sup> *°F/ BTU (m <sup>2</sup> K/W)	Effective U-Value BTU/h*ft <sup>2</sup> *°F (W/m <sup>2</sup> K)	Effective R-Value h*ft <sup>2</sup> *°F/ BTU (m <sup>2</sup> K/W)	Effective U-Value BTU/h*ft <sup>2</sup> *°F (W/m <sup>2</sup> K)	Effective R-Value h*ft <sup>2</sup> *°F/ BTU (m <sup>2</sup> K/W)	Effective U-Value BTU/h*ft <sup>2</sup> *°F (W/m <sup>2</sup> K)	Effective R-Value h*ft <sup>2</sup> *°F/ BTU (m <sup>2</sup> K/W)	Effective U-Value BTU/h*ft <sup>2</sup> *°F (W/m <sup>2</sup> K)	Effective R-Value h*ft <sup>2</sup> *°F/ BTU (m <sup>2</sup> K/W)
16" (406.4mm)		0.38 pcs/ft <sup>2</sup> (bracket) 4.04 pcs/m <sup>2</sup> (bracket)		0.3 pcs/ft <sup>2</sup> (bracket) 3.28 pcs/m <sup>2</sup> (bracket)		0.26 pcs/ft <sup>2</sup> (bracket) 2.78 pcs/m <sup>2</sup> (bracket)		0.23 pcs/ft <sup>2</sup> (bracket) 2.52 pcs/m <sup>2</sup> (bracket)		0.21 pcs/ft <sup>2</sup> (bracket) 2.28 pcs/m <sup>2</sup> (bracket)	
		0.75 ft/ft <sup>2</sup> (rails) 2.46 m/m <sup>2</sup> (rails)									
	4 (10.2)	0.078 (0.442)	12.838 (2.26)	0.072 (0.41)	13.848 (2.438)	0.068 (0.389)	14.613 (2.573)	0.066 (0.378)	15.046 (2.649)	0.065 (0.367)	15.459 (2.722)
	5 (12.7)	0.073 (0.412)	13.78 (2.426)	0.066 (0.377)	15.07 (2.653)	0.062 (0.353)	16.071 (2.829)	0.06 (0.341)	16.647 (2.931)	0.058 (0.33)	17.203 (3.029)
	6 (15.2)	0.067 (0.38)	14.961 (2.634)	0.061 (0.344)	16.498 (2.905)	0.056 (0.321)	17.708 (3.118)	0.054 (0.308)	18.412 (3.242)	0.052 (0.297)	19.097 (3.362)
24" (609.6mm)		0.25 pcs/ft <sup>2</sup> (bracket) 2.69 pcs/m <sup>2</sup> (bracket)		0.2 pcs/ft <sup>2</sup> (bracket) 2.19 pcs/m <sup>2</sup> (bracket)		0.17 pcs/ft <sup>2</sup> (bracket) 1.85 pcs/m <sup>2</sup> (bracket)		0.16 pcs/ft <sup>2</sup> (bracket) 1.68 pcs/m <sup>2</sup> (bracket)		0.14 pcs/ft <sup>2</sup> (bracket) 1.52 pcs/m <sup>2</sup> (bracket)	
		0.5 ft/ft <sup>2</sup> (rails) 1.64 m/m <sup>2</sup> (rails)									
	4 (10.2)	0.067 (0.383)	14.846 (2.614)	0.064 (0.361)	15.73 (2.769)	0.061 (0.347)	16.38 (2.884)	0.06 (0.339)	16.74 (2.947)	0.059 (0.333)	17.078 (3.007)
	5 (12.7)	0.061 (0.348)	16.319 (2.873)	0.057 (0.325)	17.502 (3.081)	0.054 (0.309)	18.389 (3.238)	0.053 (0.301)	18.888 (3.325)	0.052 (0.293)	19.361 (3.409)
	6 (15.2)	0.056 (0.316)	17.973 (3.164)	0.051 (0.292)	19.422 (3.419)	0.049 (0.277)	20.523 (3.613)	0.047 (0.269)	21.148 (3.723)	0.046 (0.261)	21.745 (3.828)
32" (812.8mm)		0.19 pcs/ft <sup>2</sup> (bracket) 2.02 pcs/m <sup>2</sup> (bracket)		0.15 pcs/ft <sup>2</sup> (bracket) 1.64 pcs/m <sup>2</sup> (bracket)		0.13 pcs/ft <sup>2</sup> (bracket) 1.39 pcs/m <sup>2</sup> (bracket)		0.12 pcs/ft <sup>2</sup> (bracket) 1.26 pcs/m <sup>2</sup> (bracket)		0.11 pcs/ft <sup>2</sup> (bracket) 1.14 pcs/m <sup>2</sup> (bracket)	
		0.38 ft/ft <sup>2</sup> (rails) 1.23 m/m <sup>2</sup> (rails)									
	4 (10.2)	0.062 (0.353)	16.105 (2.835)	0.059 (0.337)	16.877 (2.971)	0.057 (0.326)	17.433 (3.069)	0.056 (0.32)	17.738 (3.123)	0.055 (0.315)	18.022 (3.173)
	5 (12.7)	0.056 (0.316)	17.975 (3.165)	0.053 (0.298)	19.039 (3.352)	0.05 (0.287)	19.818 (3.489)	0.049 (0.28)	20.251 (3.565)	0.048 (0.275)	20.657 (3.637)
	6 (15.2)	0.05 (0.284)	19.985 (3.519)	0.047 (0.267)	21.311 (3.752)	0.045 (0.255)	22.295 (3.925)	0.044 (0.249)	22.845 (4.022)	0.043 (0.243)	23.364 (4.113)
40" (1016mm)		0.15 pcs/ft <sup>2</sup> (bracket) 1.61 pcs/m <sup>2</sup> (bracket)		0.12 pcs/ft <sup>2</sup> (bracket) 1.31 pcs/m <sup>2</sup> (bracket)		0.1 pcs/ft <sup>2</sup> (bracket) 1.11 pcs/m <sup>2</sup> (bracket)		0.09 pcs/ft <sup>2</sup> (bracket) 1.01 pcs/m <sup>2</sup> (bracket)		0.08 pcs/ft <sup>2</sup> (bracket) 0.91 pcs/m <sup>2</sup> (bracket)	
		0.3 ft/ft <sup>2</sup> (rails) 0.98 m/m <sup>2</sup> (rails)									
	4 (10.2)	0.059 (0.335)	16.969 (2.987)	0.057 (0.322)	17.649 (3.107)	0.055 (0.313)	18.133 (3.192)	0.054 (0.309)	18.396 (3.239)	0.054 (0.305)	18.64 (3.282)
	5 (12.7)	0.052 (0.297)	19.141 (3.37)	0.05 (0.283)	20.097 (3.538)	0.048 (0.273)	20.788 (3.66)	0.047 (0.268)	21.167 (3.727)	0.046 (0.264)	21.521 (3.789)
	6 (15.2)	0.047 (0.265)	21.424 (3.772)	0.044 (0.251)	22.631 (3.984)	0.043 (0.242)	23.513 (4.14)	0.042 (0.237)	24.001 (4.225)	0.041 (0.232)	24.458 (4.306)

<sup>1</sup>Between insulation thicknesses the values can be interpolated

# R-VALUE TABLES

## Fox VI Metal Studs (Not-Insulated) 5" (127mm)

**Brackets:** MFT-FOX VI medium (aluminum L-bracket with thermal pad)

**Base Material:** Metal studs (Not-Insulated)

Horizontal Stud to Stud Spacing	Exterior Insulation Thickness* in. (cm)	Vertical Bracket to Bracket Spacing									
		24" Vertical (609.6mm)		30" Vertical (762mm)		36" Vertical (914.4mm)		42" Vertical (1066.8mm)		48" Vertical (1219.2mm)	
		Effective U-Value BTU/h*ft <sup>2</sup> *°F (W/m <sup>2</sup> K)	Effective R-Value h*ft <sup>2</sup> *°F/ BTU (m <sup>2</sup> K/W)	Effective U-Value BTU/h*ft <sup>2</sup> *°F (W/m <sup>2</sup> K)	Effective R-Value h*ft <sup>2</sup> *°F/ BTU (m <sup>2</sup> K/W)	Effective U-Value BTU/h*ft <sup>2</sup> *°F (W/m <sup>2</sup> K)	Effective R-Value h*ft <sup>2</sup> *°F/ BTU (m <sup>2</sup> K/W)	Effective U-Value BTU/h*ft <sup>2</sup> *°F (W/m <sup>2</sup> K)	Effective R-Value h*ft <sup>2</sup> *°F/ BTU (m <sup>2</sup> K/W)	Effective U-Value BTU/h*ft <sup>2</sup> *°F (W/m <sup>2</sup> K)	Effective R-Value h*ft <sup>2</sup> *°F/ BTU (m <sup>2</sup> K/W)
16" (406.4mm)		0.38 pcs/ft <sup>2</sup> (bracket) 4.04 pcs/m <sup>2</sup> (bracket)		0.3 pcs/ft <sup>2</sup> (bracket) 3.28 pcs/m <sup>2</sup> (bracket)		0.26 pcs/ft <sup>2</sup> (bracket) 2.78 pcs/m <sup>2</sup> (bracket)		0.23 pcs/ft <sup>2</sup> (bracket) 2.52 pcs/m <sup>2</sup> (bracket)		0.21 pcs/ft <sup>2</sup> (bracket) 2.28 pcs/m <sup>2</sup> (bracket)	
		0.75 ft/ft <sup>2</sup> (rails) 2.46 m/m <sup>2</sup> (rails)									
	4 (10.2)	0.077 (0.435)	13.052 (2.298)	0.071 (0.404)	14.07 (2.477)	0.067 (0.383)	14.839 (2.613)	0.065 (0.372)	15.275 (2.689)	0.064 (0.362)	15.69 (2.762)
	5 (12.7)	0.072 (0.407)	13.939 (2.454)	0.066 (0.373)	15.241 (2.683)	0.062 (0.35)	16.251 (2.861)	0.059 (0.337)	16.832 (2.963)	0.057 (0.327)	17.392 (3.062)
	6 (15.2)	0.066 (0.376)	15.095 (2.658)	0.06 (0.341)	16.644 (2.93)	0.056 (0.318)	17.865 (3.145)	0.054 (0.306)	18.574 (3.27)	0.052 (0.295)	19.264 (3.392)
24" (609.6mm)		0.25 pcs/ft <sup>2</sup> (bracket) 2.69 pcs/m <sup>2</sup> (bracket)		0.2 pcs/ft <sup>2</sup> (bracket) 2.19 pcs/m <sup>2</sup> (bracket)		0.17 pcs/ft <sup>2</sup> (bracket) 1.85 pcs/m <sup>2</sup> (bracket)		0.16 pcs/ft <sup>2</sup> (bracket) 1.68 pcs/m <sup>2</sup> (bracket)		0.14 pcs/ft <sup>2</sup> (bracket) 1.52 pcs/m <sup>2</sup> (bracket)	
		0.5 ft/ft <sup>2</sup> (rails) 1.64 m/m <sup>2</sup> (rails)									
	4 (10.2)	0.066 (0.377)	15.076 (2.654)	0.063 (0.356)	15.965 (2.811)	0.06 (0.342)	16.617 (2.926)	0.059 (0.335)	16.978 (2.989)	0.058 (0.328)	17.318 (3.049)
	5 (12.7)	0.061 (0.344)	16.502 (2.905)	0.057 (0.321)	17.694 (3.115)	0.054 (0.306)	18.588 (3.273)	0.052 (0.298)	19.091 (3.361)	0.051 (0.29)	19.568 (3.445)
	6 (15.2)	0.055 (0.313)	18.132 (3.192)	0.051 (0.29)	19.592 (3.449)	0.048 (0.274)	20.702 (3.645)	0.047 (0.266)	21.331 (3.756)	0.046 (0.259)	21.933 (3.861)
32" (812.8mm)		0.19 pcs/ft <sup>2</sup> (bracket) 2.02 pcs/m <sup>2</sup> (bracket)		0.15 pcs/ft <sup>2</sup> (bracket) 1.64 pcs/m <sup>2</sup> (bracket)		0.13 pcs/ft <sup>2</sup> (bracket) 1.39 pcs/m <sup>2</sup> (bracket)		0.12 pcs/ft <sup>2</sup> (bracket) 1.26 pcs/m <sup>2</sup> (bracket)		0.11 pcs/ft <sup>2</sup> (bracket) 1.14 pcs/m <sup>2</sup> (bracket)	
		0.38 ft/ft <sup>2</sup> (rails) 1.23 m/m <sup>2</sup> (rails)									
	4 (10.2)	0.061 (0.348)	16.343 (2.877)	0.058 (0.332)	17.118 (3.014)	0.057 (0.321)	17.676 (3.112)	0.056 (0.316)	17.981 (3.166)	0.055 (0.311)	18.265 (3.216)
	5 (12.7)	0.055 (0.313)	18.172 (3.199)	0.052 (0.295)	19.243 (3.388)	0.05 (0.284)	20.029 (3.526)	0.049 (0.278)	20.464 (3.603)	0.048 (0.272)	20.873 (3.675)
	6 (15.2)	0.05 (0.282)	20.16 (3.549)	0.047 (0.264)	21.496 (3.784)	0.044 (0.253)	22.488 (3.959)	0.043 (0.247)	23.042 (4.057)	0.042 (0.241)	23.565 (4.149)
40" (1016mm)		0.15 pcs/ft <sup>2</sup> (bracket) 1.61 pcs/m <sup>2</sup> (bracket)		0.12 pcs/ft <sup>2</sup> (bracket) 1.31 pcs/m <sup>2</sup> (bracket)		0.1 pcs/ft <sup>2</sup> (bracket) 1.11 pcs/m <sup>2</sup> (bracket)		0.09 pcs/ft <sup>2</sup> (bracket) 1.01 pcs/m <sup>2</sup> (bracket)		0.08 pcs/ft <sup>2</sup> (bracket) 0.91 pcs/m <sup>2</sup> (bracket)	
		0.3 ft/ft <sup>2</sup> (rails) 0.98 m/m <sup>2</sup> (rails)									
	4 (10.2)	0.058 (0.33)	17.211 (3.03)	0.056 (0.317)	17.893 (3.15)	0.054 (0.309)	18.378 (3.236)	0.054 (0.305)	18.641 (3.282)	0.053 (0.301)	18.885 (3.325)
	5 (12.7)	0.052 (0.294)	19.347 (3.406)	0.049 (0.28)	20.31 (3.576)	0.048 (0.27)	21.005 (3.698)	0.047 (0.266)	21.387 (3.765)	0.046 (0.261)	21.743 (3.828)
	6 (15.2)	0.046 (0.263)	21.61 (3.805)	0.044 (0.249)	22.827 (4.019)	0.042 (0.24)	23.715 (4.175)	0.041 (0.235)	24.206 (4.262)	0.041 (0.23)	24.666 (4.343)

\*Between insulation thicknesses the values can be interpolated

# R-VALUE TABLES

## Fox VI Metal Studs (Not-Insulated) 6" (101.6mm)

Brackets: MFT-FOX VI medium (aluminum L-bracket with thermal pad)

Base Material: Metal studs (Not-Insulated)

Horizontal Stud to Stud Spacing	Exterior Insulation Thickness <sup>a</sup> in. (cm)	Vertical Bracket to Bracket Spacing									
		24" Vertical (609.6mm)		30" Vertical (762mm)		36" Vertical (914.4mm)		42" Vertical (1066.8mm)		48" Vertical (1219.2mm)	
		Effective U-Value BTU/h*ft <sup>2</sup> *°F (W/m <sup>2</sup> K)	Effective R-Value h*ft <sup>2</sup> *°F/ BTU (m <sup>2</sup> K/W)	Effective U-Value BTU/h*ft <sup>2</sup> *°F (W/m <sup>2</sup> K)	Effective R-Value h*ft <sup>2</sup> *°F/ BTU (m <sup>2</sup> K/W)	Effective U-Value BTU/h*ft <sup>2</sup> *°F (W/m <sup>2</sup> K)	Effective R-Value h*ft <sup>2</sup> *°F/ BTU (m <sup>2</sup> K/W)	Effective U-Value BTU/h*ft <sup>2</sup> *°F (W/m <sup>2</sup> K)	Effective R-Value h*ft <sup>2</sup> *°F/ BTU (m <sup>2</sup> K/W)	Effective U-Value BTU/h*ft <sup>2</sup> *°F (W/m <sup>2</sup> K)	Effective R-Value h*ft <sup>2</sup> *°F/ BTU (m <sup>2</sup> K/W)
16" (406.4mm)		0.38 pcs/ft <sup>2</sup> (bracket) 4.04 pcs/m <sup>2</sup> (bracket)		0.3 pcs/ft <sup>2</sup> (bracket) 3.28 pcs/m <sup>2</sup> (bracket)		0.26 pcs/ft <sup>2</sup> (bracket) 2.78 pcs/m <sup>2</sup> (bracket)		0.23 pcs/ft <sup>2</sup> (bracket) 2.52 pcs/m <sup>2</sup> (bracket)		0.21 pcs/ft <sup>2</sup> (bracket) 2.28 pcs/m <sup>2</sup> (bracket)	
		0.75 ft/ft <sup>2</sup> (rails) 2.46 m/m <sup>2</sup> (rails)									
	4 (10.2)	0.075 (0.428)	13.269 (2.336)	0.07 (0.397)	14.293 (2.516)	0.066 (0.377)	15.067 (2.653)	0.064 (0.366)	15.505 (2.73)	0.063 (0.357)	15.922 (2.803)
	5 (12.7)	0.071 (0.403)	14.1 (2.482)	0.065 (0.369)	15.413 (2.713)	0.061 (0.346)	16.43 (2.893)	0.059 (0.334)	17.016 (2.996)	0.057 (0.323)	17.581 (3.095)
	6 (15.2)	0.066 (0.373)	15.229 (2.681)	0.06 (0.338)	16.791 (2.956)	0.055 (0.315)	18.02 (3.173)	0.053 (0.303)	18.735 (3.298)	0.051 (0.292)	19.43 (3.421)
24" (609.6mm)		0.25 pcs/ft <sup>2</sup> (bracket) 2.69 pcs/m <sup>2</sup> (bracket)		0.2 pcs/ft <sup>2</sup> (bracket) 2.19 pcs/m <sup>2</sup> (bracket)		0.17 pcs/ft <sup>2</sup> (bracket) 1.85 pcs/m <sup>2</sup> (bracket)		0.16 pcs/ft <sup>2</sup> (bracket) 1.68 pcs/m <sup>2</sup> (bracket)		0.14 pcs/ft <sup>2</sup> (bracket) 1.52 pcs/m <sup>2</sup> (bracket)	
		0.5 ft/ft <sup>2</sup> (rails) 1.64 m/m <sup>2</sup> (rails)									
	4 (10.2)	0.065 (0.371)	15.307 (2.695)	0.062 (0.351)	16.2 (2.852)	0.059 (0.337)	16.854 (2.967)	0.058 (0.33)	17.217 (3.031)	0.057 (0.324)	17.557 (3.091)
	5 (12.7)	0.06 (0.34)	16.684 (2.937)	0.056 (0.318)	17.886 (3.149)	0.053 (0.302)	18.786 (3.307)	0.052 (0.294)	19.292 (3.397)	0.051 (0.287)	19.772 (3.481)
	6 (15.2)	0.055 (0.311)	18.29 (3.22)	0.051 (0.287)	19.761 (3.479)	0.048 (0.272)	20.879 (3.676)	0.046 (0.264)	21.513 (3.788)	0.045 (0.257)	22.119 (3.894)
32" (812.8mm)		0.19 pcs/ft <sup>2</sup> (bracket) 2.02 pcs/m <sup>2</sup> (bracket)		0.15 pcs/ft <sup>2</sup> (bracket) 1.64 pcs/m <sup>2</sup> (bracket)		0.13 pcs/ft <sup>2</sup> (bracket) 1.39 pcs/m <sup>2</sup> (bracket)		0.12 pcs/ft <sup>2</sup> (bracket) 1.26 pcs/m <sup>2</sup> (bracket)		0.11 pcs/ft <sup>2</sup> (bracket) 1.14 pcs/m <sup>2</sup> (bracket)	
		0.38 ft/ft <sup>2</sup> (rails) 1.23 m/m <sup>2</sup> (rails)									
	4 (10.2)	0.06 (0.343)	16.581 (2.919)	0.058 (0.327)	17.358 (3.056)	0.056 (0.317)	17.917 (3.154)	0.055 (0.312)	18.223 (3.208)	0.054 (0.307)	18.508 (3.258)
	5 (12.7)	0.054 (0.309)	18.368 (3.234)	0.051 (0.292)	19.446 (3.424)	0.049 (0.281)	20.237 (3.563)	0.048 (0.275)	20.675 (3.64)	0.047 (0.269)	21.087 (3.712)
	6 (15.2)	0.049 (0.279)	20.333 (3.58)	0.046 (0.262)	21.679 (3.817)	0.044 (0.25)	22.678 (3.993)	0.043 (0.244)	23.236 (4.091)	0.042 (0.239)	23.763 (4.184)
40" (1016mm)		0.15 pcs/ft <sup>2</sup> (bracket) 1.61 pcs/m <sup>2</sup> (bracket)		0.12 pcs/ft <sup>2</sup> (bracket) 1.31 pcs/m <sup>2</sup> (bracket)		0.1 pcs/ft <sup>2</sup> (bracket) 1.11 pcs/m <sup>2</sup> (bracket)		0.09 pcs/ft <sup>2</sup> (bracket) 1.01 pcs/m <sup>2</sup> (bracket)		0.08 pcs/ft <sup>2</sup> (bracket) 0.91 pcs/m <sup>2</sup> (bracket)	
		0.3 ft/ft <sup>2</sup> (rails) 0.98 m/m <sup>2</sup> (rails)									
	4 (10.2)	0.057 (0.325)	17.452 (3.073)	0.055 (0.313)	18.136 (3.193)	0.054 (0.305)	18.622 (3.278)	0.053 (0.301)	18.885 (3.325)	0.052 (0.297)	19.129 (3.368)
	5 (12.7)	0.051 (0.291)	19.551 (3.442)	0.049 (0.277)	20.52 (3.613)	0.047 (0.268)	21.22 (3.736)	0.046 (0.263)	21.605 (3.804)	0.046 (0.259)	21.963 (3.867)
	6 (15.2)	0.046 (0.261)	21.794 (3.837)	0.043 (0.247)	23.02 (4.053)	0.042 (0.238)	23.914 (4.21)	0.041 (0.233)	24.409 (4.297)	0.04 (0.228)	24.872 (4.379)

<sup>a</sup>Between insulation thicknesses the values can be interpolated



# R-VALUE TABLES

## Fox VT CMU 12" (305mm) Hollow Bricks

**Brackets:** Vertical thermal broken brackets (medium size)

**Base Material:** CMU 12" (305mm) hollow bricks

Horizontal Stud to Stud Spacing	Exterior Insulation Thickness <sup>a</sup> in. (cm)	Vertical Bracket to Bracket Spacing									
		24" Vertical (609.6mm)		30" Vertical (762mm)		36" Vertical (914.4mm)		42" Vertical (1066.8mm)		48" Vertical (1219.2mm)	
		Effective U-Value BTU/h*ft <sup>2</sup> *°F (W/m <sup>2</sup> K)	Effective R-Value h*ft <sup>2</sup> *°F/ BTU (m <sup>2</sup> K/W)	Effective U-Value BTU/h*ft <sup>2</sup> *°F (W/m <sup>2</sup> K)	Effective R-Value h*ft <sup>2</sup> *°F/ BTU (m <sup>2</sup> K/W)	Effective U-Value BTU/h*ft <sup>2</sup> *°F (W/m <sup>2</sup> K)	Effective R-Value h*ft <sup>2</sup> *°F/ BTU (m <sup>2</sup> K/W)	Effective U-Value BTU/h*ft <sup>2</sup> *°F (W/m <sup>2</sup> K)	Effective R-Value h*ft <sup>2</sup> *°F/ BTU (m <sup>2</sup> K/W)	Effective U-Value BTU/h*ft <sup>2</sup> *°F (W/m <sup>2</sup> K)	Effective R-Value h*ft <sup>2</sup> *°F/ BTU (m <sup>2</sup> K/W)
16" (406.4mm)		0.38 pcs/ft <sup>2</sup> (bracket) 4.04 pcs/m <sup>2</sup> (bracket)		0.3 pcs/ft <sup>2</sup> (bracket) 3.28 pcs/m <sup>2</sup> (bracket)		0.26 pcs/ft <sup>2</sup> (bracket) 2.78 pcs/m <sup>2</sup> (bracket)		0.23 pcs/ft <sup>2</sup> (bracket) 2.52 pcs/m <sup>2</sup> (bracket)		0.21 pcs/ft <sup>2</sup> (bracket) 2.28 pcs/m <sup>2</sup> (bracket)	
		0.75 ft/ft <sup>2</sup> (rails) 2.46 m/m <sup>2</sup> (rails)									
	4 (10.2)	0.035 (0.197)	28.765 (5.064)	0.034 (0.196)	29.043 (5.113)	0.034 (0.194)	29.23 (5.146)	0.034 (0.194)	29.329 (5.164)	0.034 (0.193)	29.419 (5.179)
	5 (12.7)	0.03 (0.168)	33.722 (5.937)	0.029 (0.167)	33.935 (5.974)	0.029 (0.167)	34.078 (6)	0.029 (0.166)	34.153 (6.013)	0.029 (0.166)	34.222 (6.025)
	6 (15.2)	0.026 (0.15)	37.861 (6.666)	0.026 (0.149)	38.15 (6.716)	0.026 (0.148)	38.344 (6.751)	0.026 (0.148)	38.446 (6.769)	0.026 (0.147)	38.538 (6.785)
24" (609.6mm)		0.25 pcs/ft <sup>2</sup> (bracket) 2.69 pcs/m <sup>2</sup> (bracket)		0.2 pcs/ft <sup>2</sup> (bracket) 2.19 pcs/m <sup>2</sup> (bracket)		0.17 pcs/ft <sup>2</sup> (bracket) 1.85 pcs/m <sup>2</sup> (bracket)		0.16 pcs/ft <sup>2</sup> (bracket) 1.68 pcs/m <sup>2</sup> (bracket)		0.14 pcs/ft <sup>2</sup> (bracket) 1.52 pcs/m <sup>2</sup> (bracket)	
		0.5 ft/ft <sup>2</sup> (rails) 1.64 m/m <sup>2</sup> (rails)									
	4 (10.2)	0.034 (0.192)	29.626 (5.216)	0.034 (0.19)	29.822 (5.25)	0.033 (0.19)	29.954 (5.274)	0.033 (0.189)	30.023 (5.286)	0.033 (0.189)	30.086 (5.297)
	5 (12.7)	0.029 (0.165)	34.374 (6.052)	0.029 (0.165)	34.521 (6.078)	0.029 (0.164)	34.62 (6.095)	0.029 (0.164)	34.672 (6.104)	0.029 (0.164)	34.719 (6.112)
	6 (15.2)	0.026 (0.147)	38.549 (6.787)	0.026 (0.147)	38.747 (6.822)	0.026 (0.146)	38.881 (6.845)	0.026 (0.146)	38.95 (6.857)	0.026 (0.146)	39.014 (6.869)
32" (812.8mm)		0.19 pcs/ft <sup>2</sup> (bracket) 2.02 pcs/m <sup>2</sup> (bracket)		0.15 pcs/ft <sup>2</sup> (bracket) 1.64 pcs/m <sup>2</sup> (bracket)		0.13 pcs/ft <sup>2</sup> (bracket) 1.39 pcs/m <sup>2</sup> (bracket)		0.12 pcs/ft <sup>2</sup> (bracket) 1.26 pcs/m <sup>2</sup> (bracket)		0.11 pcs/ft <sup>2</sup> (bracket) 1.14 pcs/m <sup>2</sup> (bracket)	
		0.38 ft/ft <sup>2</sup> (rails) 1.23 m/m <sup>2</sup> (rails)									
	4 (10.2)	0.033 (0.189)	30.077 (5.295)	0.033 (0.188)	30.228 (5.322)	0.033 (0.187)	30.329 (5.34)	0.033 (0.187)	30.382 (5.349)	0.033 (0.187)	30.43 (5.357)
	5 (12.7)	0.029 (0.164)	34.71 (6.111)	0.029 (0.163)	34.822 (6.131)	0.029 (0.163)	34.898 (6.144)	0.029 (0.163)	34.937 (6.151)	0.029 (0.162)	34.973 (6.157)
	6 (15.2)	0.026 (0.146)	38.902 (6.849)	0.026 (0.145)	39.053 (6.876)	0.026 (0.145)	39.155 (6.893)	0.026 (0.145)	39.208 (6.903)	0.025 (0.145)	39.256 (6.911)
40" (1016mm)		0.15 pcs/ft <sup>2</sup> (bracket) 1.61 pcs/m <sup>2</sup> (bracket)		0.12 pcs/ft <sup>2</sup> (bracket) 1.31 pcs/m <sup>2</sup> (bracket)		0.1 pcs/ft <sup>2</sup> (bracket) 1.11 pcs/m <sup>2</sup> (bracket)		0.09 pcs/ft <sup>2</sup> (bracket) 1.01 pcs/m <sup>2</sup> (bracket)		0.08 pcs/ft <sup>2</sup> (bracket) 0.91 pcs/m <sup>2</sup> (bracket)	
		0.3 ft/ft <sup>2</sup> (rails) 0.98 m/m <sup>2</sup> (rails)									
	4 (10.2)	0.033 (0.187)	30.354 (5.344)	0.033 (0.186)	30.477 (5.366)	0.033 (0.186)	30.559 (5.38)	0.033 (0.186)	30.602 (5.388)	0.033 (0.185)	30.641 (5.395)
	5 (12.7)	0.029 (0.163)	34.914 (6.147)	0.029 (0.162)	35.005 (6.163)	0.029 (0.162)	35.066 (6.174)	0.028 (0.162)	35.098 (6.179)	0.028 (0.162)	35.127 (6.184)
	6 (15.2)	0.026 (0.145)	39.116 (6.887)	0.025 (0.145)	39.239 (6.908)	0.025 (0.144)	39.321 (6.923)	0.025 (0.144)	39.364 (6.93)	0.025 (0.144)	39.403 (6.937)

<sup>a</sup>Between insulation thicknesses the values can be interpolated

# R-VALUE TABLES

## Fox VT CMU 12" (305mm) Grouted Blocks

**Brackets:** Vertical thermal broken brackets (medium size)

**Base Material:** CMU 12" (305mm) grouted blocks

Horizontal Stud to Stud Spacing	Exterior Insulation Thickness* in. (cm)	Vertical Bracket to Bracket Spacing									
		24" Vertical (609.6mm)		30" Vertical (762mm)		36" Vertical (914.4mm)		42" Vertical (1066.8mm)		48" Vertical (1219.2mm)	
		Effective U-Value BTU/h*ft <sup>2</sup> *°F (W/m <sup>2</sup> K)	Effective R-Value h*ft <sup>2</sup> *°F/ BTU (m <sup>2</sup> K/W)	Effective U-Value BTU/h*ft <sup>2</sup> *°F (W/m <sup>2</sup> K)	Effective R-Value h*ft <sup>2</sup> *°F/ BTU (m <sup>2</sup> K/W)	Effective U-Value BTU/h*ft <sup>2</sup> *°F (W/m <sup>2</sup> K)	Effective R-Value h*ft <sup>2</sup> *°F/ BTU (m <sup>2</sup> K/W)	Effective U-Value BTU/h*ft <sup>2</sup> *°F (W/m <sup>2</sup> K)	Effective R-Value h*ft <sup>2</sup> *°F/ BTU (m <sup>2</sup> K/W)	Effective U-Value BTU/h*ft <sup>2</sup> *°F (W/m <sup>2</sup> K)	Effective R-Value h*ft <sup>2</sup> *°F/ BTU (m <sup>2</sup> K/W)
16" (406.4mm)		0.38 pcs/ft <sup>2</sup> (bracket) 4.04 pcs/m <sup>2</sup> (bracket)		0.3 pcs/ft <sup>2</sup> (bracket) 3.28 pcs/m <sup>2</sup> (bracket)		0.26 pcs/ft <sup>2</sup> (bracket) 2.78 pcs/m <sup>2</sup> (bracket)		0.23 pcs/ft <sup>2</sup> (bracket) 2.52 pcs/m <sup>2</sup> (bracket)		0.21 pcs/ft <sup>2</sup> (bracket) 2.28 pcs/m <sup>2</sup> (bracket)	
		0.75 ft/ft <sup>2</sup> (rails) 2.46 m/m <sup>2</sup> (rails)									
	4 (10.2)	0.035 (0.199)	28.528 (5.023)	0.035 (0.197)	28.801 (5.071)	0.034 (0.196)	28.986 (5.103)	0.034 (0.195)	29.083 (5.12)	0.034 (0.195)	29.171 (5.136)
	5 (12.7)	0.03 (0.17)	33.469 (5.892)	0.03 (0.169)	33.679 (5.929)	0.03 (0.168)	33.82 (5.954)	0.03 (0.168)	33.894 (5.967)	0.029 (0.167)	33.961 (5.979)
	6 (15.2)	0.027 (0.151)	37.607 (6.621)	0.026 (0.15)	37.891 (6.671)	0.026 (0.149)	38.083 (6.705)	0.026 (0.149)	38.183 (6.722)	0.026 (0.148)	38.275 (6.738)
24" (609.6mm)		0.25 pcs/ft <sup>2</sup> (bracket) 2.69 pcs/m <sup>2</sup> (bracket)		0.2 pcs/ft <sup>2</sup> (bracket) 2.19 pcs/m <sup>2</sup> (bracket)		0.17 pcs/ft <sup>2</sup> (bracket) 1.85 pcs/m <sup>2</sup> (bracket)		0.16 pcs/ft <sup>2</sup> (bracket) 1.68 pcs/m <sup>2</sup> (bracket)		0.14 pcs/ft <sup>2</sup> (bracket) 1.52 pcs/m <sup>2</sup> (bracket)	
		0.5 ft/ft <sup>2</sup> (rails) 1.64 m/m <sup>2</sup> (rails)									
	4 (10.2)	0.034 (0.193)	29.375 (5.172)	0.034 (0.192)	29.568 (5.206)	0.034 (0.191)	29.697 (5.228)	0.034 (0.191)	29.765 (5.24)	0.034 (0.19)	29.827 (5.251)
	5 (12.7)	0.029 (0.167)	34.112 (6.006)	0.029 (0.166)	34.257 (6.031)	0.029 (0.165)	34.354 (6.048)	0.029 (0.165)	34.405 (6.057)	0.029 (0.165)	34.451 (6.065)
	6 (15.2)	0.026 (0.148)	38.285 (6.74)	0.026 (0.148)	38.481 (6.775)	0.026 (0.147)	38.612 (6.798)	0.026 (0.147)	38.681 (6.81)	0.026 (0.147)	38.743 (6.821)
32" (812.8mm)		0.19 pcs/ft <sup>2</sup> (bracket) 2.02 pcs/m <sup>2</sup> (bracket)		0.15 pcs/ft <sup>2</sup> (bracket) 1.64 pcs/m <sup>2</sup> (bracket)		0.13 pcs/ft <sup>2</sup> (bracket) 1.39 pcs/m <sup>2</sup> (bracket)		0.12 pcs/ft <sup>2</sup> (bracket) 1.26 pcs/m <sup>2</sup> (bracket)		0.11 pcs/ft <sup>2</sup> (bracket) 1.14 pcs/m <sup>2</sup> (bracket)	
		0.38 ft/ft <sup>2</sup> (rails) 1.23 m/m <sup>2</sup> (rails)									
	4 (10.2)	0.034 (0.19)	29.818 (5.25)	0.033 (0.19)	29.966 (5.276)	0.033 (0.189)	30.066 (5.293)	0.033 (0.189)	30.118 (5.303)	0.033 (0.188)	30.166 (5.311)
	5 (12.7)	0.029 (0.165)	34.442 (6.064)	0.029 (0.164)	34.553 (6.083)	0.029 (0.164)	34.627 (6.096)	0.029 (0.164)	34.666 (6.103)	0.029 (0.164)	34.701 (6.109)
	6 (15.2)	0.026 (0.147)	38.633 (6.802)	0.026 (0.146)	38.782 (6.828)	0.026 (0.146)	38.883 (6.846)	0.026 (0.146)	38.935 (6.855)	0.026 (0.146)	38.982 (6.863)
40" (1016mm)		0.15 pcs/ft <sup>2</sup> (bracket) 1.61 pcs/m <sup>2</sup> (bracket)		0.12 pcs/ft <sup>2</sup> (bracket) 1.31 pcs/m <sup>2</sup> (bracket)		0.1 pcs/ft <sup>2</sup> (bracket) 1.11 pcs/m <sup>2</sup> (bracket)		0.09 pcs/ft <sup>2</sup> (bracket) 1.01 pcs/m <sup>2</sup> (bracket)		0.08 pcs/ft <sup>2</sup> (bracket) 0.91 pcs/m <sup>2</sup> (bracket)	
		0.3 ft/ft <sup>2</sup> (rails) 0.98 m/m <sup>2</sup> (rails)									
	4 (10.2)	0.033 (0.189)	30.09 (5.298)	0.033 (0.188)	30.211 (5.319)	0.033 (0.188)	30.292 (5.333)	0.033 (0.187)	30.334 (5.341)	0.033 (0.187)	30.373 (5.347)
	5 (12.7)	0.029 (0.164)	34.643 (6.099)	0.029 (0.164)	34.733 (6.115)	0.029 (0.163)	34.793 (6.126)	0.029 (0.163)	34.824 (6.131)	0.029 (0.163)	34.853 (6.136)
	6 (15.2)	0.026 (0.146)	38.845 (6.839)	0.026 (0.146)	38.966 (6.86)	0.026 (0.145)	39.046 (6.874)	0.026 (0.145)	39.089 (6.882)	0.026 (0.145)	39.127 (6.889)

\*Between insulation thicknesses the values can be interpolated

# R-VALUE TABLES

## Fox VT CMU 12" (305mm) Grouted Polyurethane Foamed in Place

**Brackets:** Vertical thermal broken brackets (medium size)

**Base Material:** CMU 12" (305mm) grouted polyurethane foamed in place

Horizontal Stud to Stud Spacing	Exterior Insulation Thickness <sup>a</sup> in. (cm)	Vertical Bracket to Bracket Spacing									
		24" Vertical (609.6mm)		30" Vertical (762mm)		36" Vertical (914.4mm)		42" Vertical (1066.8mm)		48" Vertical (1219.2mm)	
		Effective U-Value BTU/h*ft <sup>2</sup> *°F (W/m <sup>2</sup> K)	Effective R-Value h*ft <sup>2</sup> *°F/ BTU (m <sup>2</sup> K/W)	Effective U-Value BTU/h*ft <sup>2</sup> *°F (W/m <sup>2</sup> K)	Effective R-Value h*ft <sup>2</sup> *°F/ BTU (m <sup>2</sup> K/W)	Effective U-Value BTU/h*ft <sup>2</sup> *°F (W/m <sup>2</sup> K)	Effective R-Value h*ft <sup>2</sup> *°F/ BTU (m <sup>2</sup> K/W)	Effective U-Value BTU/h*ft <sup>2</sup> *°F (W/m <sup>2</sup> K)	Effective R-Value h*ft <sup>2</sup> *°F/ BTU (m <sup>2</sup> K/W)	Effective U-Value BTU/h*ft <sup>2</sup> *°F (W/m <sup>2</sup> K)	Effective R-Value h*ft <sup>2</sup> *°F/ BTU (m <sup>2</sup> K/W)
16" (406.4mm)		0.38 pcs/ft <sup>2</sup> (bracket) 4.04 pcs/m <sup>2</sup> (bracket)		0.3 pcs/ft <sup>2</sup> (bracket) 3.28 pcs/m <sup>2</sup> (bracket)		0.26 pcs/ft <sup>2</sup> (bracket) 2.78 pcs/m <sup>2</sup> (bracket)		0.23 pcs/ft <sup>2</sup> (bracket) 2.52 pcs/m <sup>2</sup> (bracket)		0.21 pcs/ft <sup>2</sup> (bracket) 2.28 pcs/m <sup>2</sup> (bracket)	
		0.75 ft/ft <sup>2</sup> (rails) 2.46 m/m <sup>2</sup> (rails)									
	4 (10.2)	0.019 (0.106)	53.798 (9.471)	0.018 (0.104)	54.778 (9.644)	0.018 (0.102)	55.45 (9.762)	0.018 (0.102)	55.807 (9.825)	0.018 (0.101)	56.133 (9.883)
	5 (12.7)	0.016 (0.092)	61.425 (10.814)	0.016 (0.091)	62.136 (10.939)	0.016 (0.091)	62.618 (11.024)	0.016 (0.09)	62.872 (11.069)	0.016 (0.09)	63.103 (11.11)
	6 (15.2)	0.015 (0.086)	65.991 (11.618)	0.015 (0.085)	66.871 (11.773)	0.015 (0.084)	67.47 (11.879)	0.015 (0.084)	67.787 (11.934)	0.015 (0.083)	68.075 (11.985)
24" (609.6mm)		0.25 pcs/ft <sup>2</sup> (bracket) 2.69 pcs/m <sup>2</sup> (bracket)		0.2 pcs/ft <sup>2</sup> (bracket) 2.19 pcs/m <sup>2</sup> (bracket)		0.17 pcs/ft <sup>2</sup> (bracket) 1.85 pcs/m <sup>2</sup> (bracket)		0.16 pcs/ft <sup>2</sup> (bracket) 1.68 pcs/m <sup>2</sup> (bracket)		0.14 pcs/ft <sup>2</sup> (bracket) 1.52 pcs/m <sup>2</sup> (bracket)	
		0.5 ft/ft <sup>2</sup> (rails) 1.64 m/m <sup>2</sup> (rails)									
	4 (10.2)	0.018 (0.1)	56.892 (10.016)	0.017 (0.099)	57.619 (10.144)	0.017 (0.098)	58.113 (10.231)	0.017 (0.097)	58.374 (10.277)	0.017 (0.097)	58.611 (10.319)
	5 (12.7)	0.016 (0.089)	63.624 (11.201)	0.016 (0.089)	64.131 (11.291)	0.016 (0.088)	64.472 (11.351)	0.015 (0.088)	64.652 (11.382)	0.015 (0.088)	64.814 (11.411)
	6 (15.2)	0.015 (0.083)	68.107 (11.991)	0.015 (0.083)	68.729 (12.1)	0.014 (0.082)	69.15 (12.174)	0.014 (0.082)	69.372 (12.213)	0.014 (0.082)	69.572 (12.249)
32" (812.8mm)		0.19 pcs/ft <sup>2</sup> (bracket) 2.02 pcs/m <sup>2</sup> (bracket)		0.15 pcs/ft <sup>2</sup> (bracket) 1.64 pcs/m <sup>2</sup> (bracket)		0.13 pcs/ft <sup>2</sup> (bracket) 1.39 pcs/m <sup>2</sup> (bracket)		0.12 pcs/ft <sup>2</sup> (bracket) 1.26 pcs/m <sup>2</sup> (bracket)		0.11 pcs/ft <sup>2</sup> (bracket) 1.14 pcs/m <sup>2</sup> (bracket)	
		0.38 ft/ft <sup>2</sup> (rails) 1.23 m/m <sup>2</sup> (rails)									
	4 (10.2)	0.017 (0.097)	58.577 (10.313)	0.017 (0.096)	59.153 (10.414)	0.017 (0.095)	59.543 (10.483)	0.017 (0.095)	59.748 (10.519)	0.017 (0.095)	59.934 (10.552)
	5 (12.7)	0.015 (0.088)	64.784 (11.406)	0.015 (0.087)	65.177 (11.475)	0.015 (0.087)	65.441 (11.521)	0.015 (0.087)	65.58 (11.546)	0.015 (0.086)	65.705 (11.568)
	6 (15.2)	0.014 (0.082)	69.217 (12.186)	0.014 (0.081)	69.698 (12.271)	0.014 (0.081)	70.022 (12.328)	0.014 (0.081)	70.192 (12.358)	0.014 (0.081)	70.346 (12.385)
40" (1016mm)		0.15 pcs/ft <sup>2</sup> (bracket) 1.61 pcs/m <sup>2</sup> (bracket)		0.12 pcs/ft <sup>2</sup> (bracket) 1.31 pcs/m <sup>2</sup> (bracket)		0.1 pcs/ft <sup>2</sup> (bracket) 1.11 pcs/m <sup>2</sup> (bracket)		0.09 pcs/ft <sup>2</sup> (bracket) 1.01 pcs/m <sup>2</sup> (bracket)		0.08 pcs/ft <sup>2</sup> (bracket) 0.91 pcs/m <sup>2</sup> (bracket)	
		0.3 ft/ft <sup>2</sup> (rails) 0.98 m/m <sup>2</sup> (rails)									
	4 (10.2)	0.017 (0.095)	59.636 (10.499)	0.017 (0.094)	60.113 (10.583)	0.017 (0.094)	60.435 (10.64)	0.017 (0.094)	60.604 (10.67)	0.016 (0.093)	60.757 (10.697)
	5 (12.7)	0.015 (0.087)	65.5 (11.532)	0.015 (0.086)	65.821 (11.588)	0.015 (0.086)	66.037 (11.626)	0.015 (0.086)	66.149 (11.646)	0.015 (0.086)	66.252 (11.664)
	6 (15.2)	0.014 (0.081)	69.9 (12.306)	0.014 (0.081)	70.292 (12.375)	0.014 (0.081)	70.556 (12.422)	0.014 (0.08)	70.694 (12.446)	0.014 (0.08)	70.819 (12.468)

<sup>a</sup>Between insulation thicknesses the values can be interpolated

# R-VALUE TABLES

## Fox VT Concrete 2" (50.8mm)

**Brackets:** Vertical thermal broken brackets (medium size)

**Base Material:** Concrete 2" (50.8mm)

Horizontal Stud to Stud Spacing	Exterior Insulation Thickness* in. (cm)	Vertical Bracket to Bracket Spacing									
		24" Vertical (609.6mm)		30" Vertical (762mm)		36" Vertical (914.4mm)		42" Vertical (1066.8mm)		48" Vertical (1219.2mm)	
		Effective U-Value BTU/h*ft <sup>2</sup> *°F (W/m <sup>2</sup> K)	Effective R-Value h*ft <sup>2</sup> *°F/ BTU (m <sup>2</sup> K/W)	Effective U-Value BTU/h*ft <sup>2</sup> *°F (W/m <sup>2</sup> K)	Effective R-Value h*ft <sup>2</sup> *°F/ BTU (m <sup>2</sup> K/W)	Effective U-Value BTU/h*ft <sup>2</sup> *°F (W/m <sup>2</sup> K)	Effective R-Value h*ft <sup>2</sup> *°F/ BTU (m <sup>2</sup> K/W)	Effective U-Value BTU/h*ft <sup>2</sup> *°F (W/m <sup>2</sup> K)	Effective R-Value h*ft <sup>2</sup> *°F/ BTU (m <sup>2</sup> K/W)	Effective U-Value BTU/h*ft <sup>2</sup> *°F (W/m <sup>2</sup> K)	Effective R-Value h*ft <sup>2</sup> *°F/ BTU (m <sup>2</sup> K/W)
16" (406.4mm)		0.38 pcs/ft <sup>2</sup> (bracket) 4.04 pcs/m <sup>2</sup> (bracket)		0.3 pcs/ft <sup>2</sup> (bracket) 3.28 pcs/m <sup>2</sup> (bracket)		0.26 pcs/ft <sup>2</sup> (bracket) 2.78 pcs/m <sup>2</sup> (bracket)		0.23 pcs/ft <sup>2</sup> (bracket) 2.52 pcs/m <sup>2</sup> (bracket)		0.21 pcs/ft <sup>2</sup> (bracket) 2.28 pcs/m <sup>2</sup> (bracket)	
		0.75 ft/ft <sup>2</sup> (rails) 2.46 m/m <sup>2</sup> (rails)									
	4 (10.2)	0.056 (0.321)	17.706 (3.117)	0.056 (0.319)	17.79 (3.132)	0.056 (0.318)	17.846 (3.142)	0.056 (0.318)	17.876 (3.147)	0.056 (0.317)	17.902 (3.152)
	5 (12.7)	0.046 (0.261)	21.779 (3.834)	0.046 (0.259)	21.906 (3.857)	0.045 (0.258)	21.992 (3.872)	0.045 (0.258)	22.036 (3.88)	0.045 (0.257)	22.077 (3.887)
	6 (15.2)	0.039 (0.22)	25.837 (4.549)	0.038 (0.218)	26.016 (4.58)	0.038 (0.217)	26.137 (4.602)	0.038 (0.217)	26.2 (4.613)	0.038 (0.216)	26.257 (4.623)
24" (609.6mm)		0.25 pcs/ft <sup>2</sup> (bracket) 2.69 pcs/m <sup>2</sup> (bracket)		0.2 pcs/ft <sup>2</sup> (bracket) 2.19 pcs/m <sup>2</sup> (bracket)		0.17 pcs/ft <sup>2</sup> (bracket) 1.85 pcs/m <sup>2</sup> (bracket)		0.16 pcs/ft <sup>2</sup> (bracket) 1.68 pcs/m <sup>2</sup> (bracket)		0.14 pcs/ft <sup>2</sup> (bracket) 1.52 pcs/m <sup>2</sup> (bracket)	
		0.5 ft/ft <sup>2</sup> (rails) 1.64 m/m <sup>2</sup> (rails)									
	4 (10.2)	0.056 (0.316)	17.99 (3.167)	0.055 (0.315)	18.048 (3.177)	0.055 (0.314)	18.087 (3.184)	0.055 (0.314)	18.107 (3.188)	0.055 (0.313)	18.125 (3.191)
	5 (12.7)	0.045 (0.257)	22.119 (3.894)	0.045 (0.256)	22.206 (3.909)	0.045 (0.255)	22.264 (3.92)	0.045 (0.255)	22.295 (3.925)	0.045 (0.254)	22.322 (3.93)
	6 (15.2)	0.038 (0.216)	26.237 (4.619)	0.038 (0.215)	26.359 (4.641)	0.038 (0.215)	26.442 (4.655)	0.038 (0.214)	26.485 (4.663)	0.038 (0.214)	26.524 (4.67)
32" (812.8mm)		0.19 pcs/ft <sup>2</sup> (bracket) 2.02 pcs/m <sup>2</sup> (bracket)		0.15 pcs/ft <sup>2</sup> (bracket) 1.64 pcs/m <sup>2</sup> (bracket)		0.13 pcs/ft <sup>2</sup> (bracket) 1.39 pcs/m <sup>2</sup> (bracket)		0.12 pcs/ft <sup>2</sup> (bracket) 1.26 pcs/m <sup>2</sup> (bracket)		0.11 pcs/ft <sup>2</sup> (bracket) 1.14 pcs/m <sup>2</sup> (bracket)	
		0.38 ft/ft <sup>2</sup> (rails) 1.23 m/m <sup>2</sup> (rails)									
	4 (10.2)	0.0551 (0.313)	18.1361 (3.193)	0.055 (0.312)	18.1799 (3.201)	0.0549 (0.312)	18.2092 (3.206)	0.0549 (0.312)	18.2245 (3.209)	0.0548 (0.311)	18.2384 (3.211)
	5 (12.7)	0.0449 (0.255)	22.2926 (3.925)	0.0447 (0.254)	22.3589 (3.936)	0.0446 (0.254)	22.4033 (3.944)	0.0446 (0.253)	22.4264 (3.948)	0.0445 (0.253)	22.4474 (3.952)
	6 (15.2)	0.0378 (0.215)	26.4412 (4.655)	0.0377 (0.214)	26.5345 (4.672)	0.0376 (0.214)	26.597 (4.683)	0.0376 (0.213)	26.6297 (4.688)	0.0375 (0.213)	26.6592 (4.694)
40" (1016mm)		0.15 pcs/ft <sup>2</sup> (bracket) 1.61 pcs/m <sup>2</sup> (bracket)		0.12 pcs/ft <sup>2</sup> (bracket) 1.31 pcs/m <sup>2</sup> (bracket)		0.1 pcs/ft <sup>2</sup> (bracket) 1.11 pcs/m <sup>2</sup> (bracket)		0.09 pcs/ft <sup>2</sup> (bracket) 1.01 pcs/m <sup>2</sup> (bracket)		0.08 pcs/ft <sup>2</sup> (bracket) 0.91 pcs/m <sup>2</sup> (bracket)	
		0.3 ft/ft <sup>2</sup> (rails) 0.98 m/m <sup>2</sup> (rails)									
	4 (10.2)	0.055 (0.312)	18.225 (3.209)	0.055 (0.311)	18.26 (3.215)	0.055 (0.311)	18.284 (3.219)	0.055 (0.31)	18.296 (3.221)	0.055 (0.31)	18.307 (3.223)
	5 (12.7)	0.045 (0.254)	22.398 (3.943)	0.045 (0.253)	22.452 (3.953)	0.044 (0.253)	22.487 (3.959)	0.044 (0.252)	22.506 (3.962)	0.044 (0.252)	22.523 (3.965)
	6 (15.2)	0.038 (0.214)	26.565 (4.677)	0.038 (0.213)	26.641 (4.69)	0.037 (0.213)	26.691 (4.699)	0.037 (0.213)	26.717 (4.704)	0.037 (0.212)	26.741 (4.708)

\*Between insulation thicknesses the values can be interpolated

# R-VALUE TABLES

## Fox VT Concrete 3" (76.2mm)

**Brackets:** Vertical thermal broken brackets (medium size)

**Base Material:** Concrete 3" (76.2mm)

Horizontal Stud to Stud Spacing	Exterior Insulation Thickness <sup>a</sup> in. (cm)	Vertical Bracket to Bracket Spacing									
		24" Vertical (609.6mm)		30" Vertical (762mm)		36" Vertical (914.4mm)		42" Vertical (1066.8mm)		48" Vertical (1219.2mm)	
		Effective U-Value BTU/h*ft <sup>2</sup> *°F (W/m <sup>2</sup> K)	Effective R-Value h*ft <sup>2</sup> *°F/ BTU (m <sup>2</sup> K/W)	Effective U-Value BTU/h*ft <sup>2</sup> *°F (W/m <sup>2</sup> K)	Effective R-Value h*ft <sup>2</sup> *°F/ BTU (m <sup>2</sup> K/W)	Effective U-Value BTU/h*ft <sup>2</sup> *°F (W/m <sup>2</sup> K)	Effective R-Value h*ft <sup>2</sup> *°F/ BTU (m <sup>2</sup> K/W)	Effective U-Value BTU/h*ft <sup>2</sup> *°F (W/m <sup>2</sup> K)	Effective R-Value h*ft <sup>2</sup> *°F/ BTU (m <sup>2</sup> K/W)	Effective U-Value BTU/h*ft <sup>2</sup> *°F (W/m <sup>2</sup> K)	Effective R-Value h*ft <sup>2</sup> *°F/ BTU (m <sup>2</sup> K/W)
16" (406.4mm)		0.38 pcs/ft <sup>2</sup> (bracket) 4.04 pcs/m <sup>2</sup> (bracket)		0.3 pcs/ft <sup>2</sup> (bracket) 3.28 pcs/m <sup>2</sup> (bracket)		0.26 pcs/ft <sup>2</sup> (bracket) 2.78 pcs/m <sup>2</sup> (bracket)		0.23 pcs/ft <sup>2</sup> (bracket) 2.52 pcs/m <sup>2</sup> (bracket)		0.21 pcs/ft <sup>2</sup> (bracket) 2.28 pcs/m <sup>2</sup> (bracket)	
		0.75 ft/ft <sup>2</sup> (rails) 2.46 m/m <sup>2</sup> (rails)									
	4 (10.2)	0.056 (0.32)	17.768 (3.128)	0.056 (0.318)	17.853 (3.143)	0.056 (0.317)	17.909 (3.153)	0.056 (0.317)	17.939 (3.158)	0.056 (0.316)	17.966 (3.163)
	5 (12.7)	0.046 (0.26)	21.842 (3.845)	0.046 (0.259)	21.969 (3.868)	0.045 (0.258)	22.055 (3.883)	0.045 (0.257)	22.1 (3.891)	0.045 (0.257)	22.141 (3.898)
	6 (15.2)	0.039 (0.219)	25.9 (4.56)	0.038 (0.218)	26.08 (4.591)	0.038 (0.217)	26.201 (4.613)	0.038 (0.216)	26.264 (4.624)	0.038 (0.216)	26.322 (4.634)
24" (609.6mm)		0.25 pcs/ft <sup>2</sup> (bracket) 2.69 pcs/m <sup>2</sup> (bracket)		0.2 pcs/ft <sup>2</sup> (bracket) 2.19 pcs/m <sup>2</sup> (bracket)		0.17 pcs/ft <sup>2</sup> (bracket) 1.85 pcs/m <sup>2</sup> (bracket)		0.16 pcs/ft <sup>2</sup> (bracket) 1.68 pcs/m <sup>2</sup> (bracket)		0.14 pcs/ft <sup>2</sup> (bracket) 1.52 pcs/m <sup>2</sup> (bracket)	
		0.5 ft/ft <sup>2</sup> (rails) 1.64 m/m <sup>2</sup> (rails)									
	4 (10.2)	0.055 (0.315)	18.055 (3.179)	0.055 (0.314)	18.113 (3.189)	0.055 (0.313)	18.152 (3.196)	0.055 (0.313)	18.172 (3.199)	0.055 (0.312)	18.19 (3.203)
	5 (12.7)	0.045 (0.256)	22.183 (3.906)	0.045 (0.255)	22.271 (3.921)	0.045 (0.254)	22.33 (3.931)	0.045 (0.254)	22.36 (3.937)	0.045 (0.254)	22.388 (3.942)
	6 (15.2)	0.038 (0.216)	26.301 (4.631)	0.038 (0.215)	26.425 (4.652)	0.038 (0.214)	26.507 (4.667)	0.038 (0.214)	26.551 (4.674)	0.038 (0.214)	26.59 (4.681)
32" (812.8mm)		0.19 pcs/ft <sup>2</sup> (bracket) 2.02 pcs/m <sup>2</sup> (bracket)		0.15 pcs/ft <sup>2</sup> (bracket) 1.64 pcs/m <sup>2</sup> (bracket)		0.13 pcs/ft <sup>2</sup> (bracket) 1.39 pcs/m <sup>2</sup> (bracket)		0.12 pcs/ft <sup>2</sup> (bracket) 1.26 pcs/m <sup>2</sup> (bracket)		0.11 pcs/ft <sup>2</sup> (bracket) 1.14 pcs/m <sup>2</sup> (bracket)	
		0.38 ft/ft <sup>2</sup> (rails) 1.23 m/m <sup>2</sup> (rails)									
	4 (10.2)	0.055 (0.312)	18.201 (3.204)	0.055 (0.311)	18.246 (3.212)	0.055 (0.311)	18.275 (3.217)	0.055 (0.311)	18.291 (3.22)	0.055 (0.31)	18.305 (3.223)
	5 (12.7)	0.045 (0.254)	22.358 (3.936)	0.045 (0.253)	22.425 (3.948)	0.045 (0.253)	22.469 (3.956)	0.044 (0.253)	22.493 (3.96)	0.044 (0.252)	22.514 (3.964)
	6 (15.2)	0.038 (0.214)	26.507 (4.667)	0.038 (0.214)	26.601 (4.683)	0.038 (0.213)	26.663 (4.694)	0.037 (0.213)	26.696 (4.7)	0.037 (0.213)	26.726 (4.705)
40" (1016mm)		0.15 pcs/ft <sup>2</sup> (bracket) 1.61 pcs/m <sup>2</sup> (bracket)		0.12 pcs/ft <sup>2</sup> (bracket) 1.31 pcs/m <sup>2</sup> (bracket)		0.1 pcs/ft <sup>2</sup> (bracket) 1.11 pcs/m <sup>2</sup> (bracket)		0.09 pcs/ft <sup>2</sup> (bracket) 1.01 pcs/m <sup>2</sup> (bracket)		0.08 pcs/ft <sup>2</sup> (bracket) 0.91 pcs/m <sup>2</sup> (bracket)	
		0.3 ft/ft <sup>2</sup> (rails) 0.98 m/m <sup>2</sup> (rails)									
	4 (10.2)	0.055 (0.311)	18.291 (3.22)	0.055 (0.31)	18.326 (3.226)	0.054 (0.31)	18.35 (3.231)	0.054 (0.309)	18.363 (3.233)	0.054 (0.309)	18.374 (3.235)
	5 (12.7)	0.045 (0.253)	22.464 (3.955)	0.044 (0.252)	22.518 (3.964)	0.044 (0.252)	22.554 (3.971)	0.044 (0.252)	22.573 (3.974)	0.044 (0.251)	22.59 (3.977)
	6 (15.2)	0.038 (0.213)	26.632 (4.689)	0.037 (0.213)	26.707 (4.702)	0.037 (0.212)	26.758 (4.711)	0.037 (0.212)	26.784 (4.716)	0.037 (0.212)	26.808 (4.72)

<sup>a</sup>Between insulation thicknesses the values can be interpolated

# R-VALUE TABLES

## Fox VT Concrete 4" (101.6mm)

**Brackets:** Vertical thermal broken brackets (medium size)

**Base Material:** Concrete 4" (101.6mm)

Horizontal Stud to Stud Spacing	Exterior Insulation Thickness* in. (cm)	Vertical Bracket to Bracket Spacing									
		24" Vertical (609.6mm)		30" Vertical (762mm)		36" Vertical (914.4mm)		42" Vertical (1066.8mm)		48" Vertical (1219.2mm)	
		Effective U-Value BTU/h*ft <sup>2</sup> *°F (W/m <sup>2</sup> K)	Effective R-Value h*ft <sup>2</sup> *°F/ BTU (m <sup>2</sup> K/W)	Effective U-Value BTU/h*ft <sup>2</sup> *°F (W/m <sup>2</sup> K)	Effective R-Value h*ft <sup>2</sup> *°F/ BTU (m <sup>2</sup> K/W)	Effective U-Value BTU/h*ft <sup>2</sup> *°F (W/m <sup>2</sup> K)	Effective R-Value h*ft <sup>2</sup> *°F/ BTU (m <sup>2</sup> K/W)	Effective U-Value BTU/h*ft <sup>2</sup> *°F (W/m <sup>2</sup> K)	Effective R-Value h*ft <sup>2</sup> *°F/ BTU (m <sup>2</sup> K/W)	Effective U-Value BTU/h*ft <sup>2</sup> *°F (W/m <sup>2</sup> K)	Effective R-Value h*ft <sup>2</sup> *°F/ BTU (m <sup>2</sup> K/W)
16" (406.4mm)		0.38 pcs/ft <sup>2</sup> (bracket) 4.04 pcs/m <sup>2</sup> (bracket)		0.3 pcs/ft <sup>2</sup> (bracket) 3.28 pcs/m <sup>2</sup> (bracket)		0.26 pcs/ft <sup>2</sup> (bracket) 2.78 pcs/m <sup>2</sup> (bracket)		0.23 pcs/ft <sup>2</sup> (bracket) 2.52 pcs/m <sup>2</sup> (bracket)		0.21 pcs/ft <sup>2</sup> (bracket) 2.28 pcs/m <sup>2</sup> (bracket)	
		0.75 ft/ft <sup>2</sup> (rails) 2.46 m/m <sup>2</sup> (rails)									
	4 (10.2)	0.056 (0.319)	17.831 (3.139)	0.056 (0.317)	17.916 (3.154)	0.056 (0.316)	17.973 (3.164)	0.056 (0.316)	18.003 (3.169)	0.055 (0.315)	18.03 (3.174)
	5 (12.7)	0.046 (0.259)	21.904 (3.856)	0.045 (0.258)	22.033 (3.879)	0.045 (0.257)	22.119 (3.894)	0.045 (0.256)	22.164 (3.902)	0.045 (0.256)	22.205 (3.909)
6 (15.2)	0.039 (0.219)	25.962 (4.571)	0.038 (0.217)	26.143 (4.603)	0.038 (0.216)	26.265 (4.624)	0.038 (0.216)	26.328 (4.635)	0.038 (0.215)	26.386 (4.645)	
24" (609.6mm)		0.25 pcs/ft <sup>2</sup> (bracket) 2.69 pcs/m <sup>2</sup> (bracket)		0.2 pcs/ft <sup>2</sup> (bracket) 2.19 pcs/m <sup>2</sup> (bracket)		0.17 pcs/ft <sup>2</sup> (bracket) 1.85 pcs/m <sup>2</sup> (bracket)		0.16 pcs/ft <sup>2</sup> (bracket) 1.68 pcs/m <sup>2</sup> (bracket)		0.14 pcs/ft <sup>2</sup> (bracket) 1.52 pcs/m <sup>2</sup> (bracket)	
		0.5 ft/ft <sup>2</sup> (rails) 1.64 m/m <sup>2</sup> (rails)									
	4 (10.2)	0.055 (0.313)	18.119 (3.19)	0.055 (0.312)	18.178 (3.2)	0.055 (0.312)	18.217 (3.207)	0.055 (0.311)	18.237 (3.211)	0.055 (0.311)	18.256 (3.214)
	5 (12.7)	0.045 (0.255)	22.248 (3.917)	0.045 (0.254)	22.336 (3.932)	0.045 (0.254)	22.395 (3.943)	0.045 (0.253)	22.426 (3.948)	0.045 (0.253)	22.454 (3.953)
6 (15.2)	0.038 (0.215)	26.366 (4.642)	0.038 (0.214)	26.49 (4.664)	0.038 (0.214)	26.573 (4.678)	0.038 (0.213)	26.616 (4.686)	0.038 (0.213)	26.656 (4.693)	
32" (812.8mm)		0.19 pcs/ft <sup>2</sup> (bracket) 2.02 pcs/m <sup>2</sup> (bracket)		0.15 pcs/ft <sup>2</sup> (bracket) 1.64 pcs/m <sup>2</sup> (bracket)		0.13 pcs/ft <sup>2</sup> (bracket) 1.39 pcs/m <sup>2</sup> (bracket)		0.12 pcs/ft <sup>2</sup> (bracket) 1.26 pcs/m <sup>2</sup> (bracket)		0.11 pcs/ft <sup>2</sup> (bracket) 1.14 pcs/m <sup>2</sup> (bracket)	
		0.38 ft/ft <sup>2</sup> (rails) 1.23 m/m <sup>2</sup> (rails)									
	4 (10.2)	0.055 (0.311)	18.267 (3.216)	0.055 (0.31)	18.311 (3.224)	0.055 (0.31)	18.341 (3.229)	0.054 (0.309)	18.357 (3.232)	0.054 (0.309)	18.371 (3.234)
	5 (12.7)	0.045 (0.253)	22.424 (3.948)	0.044 (0.253)	22.491 (3.96)	0.044 (0.252)	22.536 (3.968)	0.044 (0.252)	22.559 (3.972)	0.044 (0.252)	22.58 (3.975)
6 (15.2)	0.038 (0.214)	26.572 (4.678)	0.038 (0.213)	26.666 (4.695)	0.037 (0.212)	26.73 (4.706)	0.037 (0.212)	26.763 (4.712)	0.037 (0.212)	26.792 (4.717)	
40" (1016mm)		0.15 pcs/ft <sup>2</sup> (bracket) 1.61 pcs/m <sup>2</sup> (bracket)		0.12 pcs/ft <sup>2</sup> (bracket) 1.31 pcs/m <sup>2</sup> (bracket)		0.1 pcs/ft <sup>2</sup> (bracket) 1.11 pcs/m <sup>2</sup> (bracket)		0.09 pcs/ft <sup>2</sup> (bracket) 1.01 pcs/m <sup>2</sup> (bracket)		0.08 pcs/ft <sup>2</sup> (bracket) 0.91 pcs/m <sup>2</sup> (bracket)	
		0.3 ft/ft <sup>2</sup> (rails) 0.98 m/m <sup>2</sup> (rails)									
	4 (10.2)	0.054 (0.309)	18.357 (3.232)	0.054 (0.309)	18.393 (3.238)	0.054 (0.308)	18.417 (3.242)	0.054 (0.308)	18.429 (3.245)	0.054 (0.308)	18.44 (3.247)
	5 (12.7)	0.044 (0.252)	22.53 (3.967)	0.044 (0.251)	22.585 (3.976)	0.044 (0.251)	22.621 (3.983)	0.044 (0.251)	22.64 (3.986)	0.044 (0.251)	22.657 (3.989)
6 (15.2)	0.037 (0.213)	26.698 (4.7)	0.037 (0.212)	26.774 (4.714)	0.037 (0.212)	26.825 (4.723)	0.037 (0.212)	26.851 (4.727)	0.037 (0.211)	26.875 (4.732)	

\*Between insulation thicknesses the values can be interpolated

# R-VALUE TABLES

## Fox VT Concrete 5" (127mm)

**Brackets:** Vertical thermal broken brackets (medium size)

**Base Material:** Concrete 5" (127mm)

Horizontal Stud to Stud Spacing	Exterior Insulation Thickness <sup>a</sup> in. (cm)	Vertical Bracket to Bracket Spacing									
		24" Vertical (609.6mm)		30" Vertical (762mm)		36" Vertical (914.4mm)		42" Vertical (1066.8mm)		48" Vertical (1219.2mm)	
		Effective U-Value BTU/h*ft <sup>2</sup> *°F (W/m <sup>2</sup> K)	Effective R-Value h*ft <sup>2</sup> *°F/ BTU (m <sup>2</sup> K/W)	Effective U-Value BTU/h*ft <sup>2</sup> *°F (W/m <sup>2</sup> K)	Effective R-Value h*ft <sup>2</sup> *°F/ BTU (m <sup>2</sup> K/W)	Effective U-Value BTU/h*ft <sup>2</sup> *°F (W/m <sup>2</sup> K)	Effective R-Value h*ft <sup>2</sup> *°F/ BTU (m <sup>2</sup> K/W)	Effective U-Value BTU/h*ft <sup>2</sup> *°F (W/m <sup>2</sup> K)	Effective R-Value h*ft <sup>2</sup> *°F/ BTU (m <sup>2</sup> K/W)	Effective U-Value BTU/h*ft <sup>2</sup> *°F (W/m <sup>2</sup> K)	Effective R-Value h*ft <sup>2</sup> *°F/ BTU (m <sup>2</sup> K/W)
16" (406.4mm)		0.38 pcs/ft <sup>2</sup> (bracket) 4.04 pcs/m <sup>2</sup> (bracket)		0.3 pcs/ft <sup>2</sup> (bracket) 3.28 pcs/m <sup>2</sup> (bracket)		0.26 pcs/ft <sup>2</sup> (bracket) 2.78 pcs/m <sup>2</sup> (bracket)		0.23 pcs/ft <sup>2</sup> (bracket) 2.52 pcs/m <sup>2</sup> (bracket)		0.21 pcs/ft <sup>2</sup> (bracket) 2.28 pcs/m <sup>2</sup> (bracket)	
		0.75 ft/ft <sup>2</sup> (rails) 2.46 m/m <sup>2</sup> (rails)									
	4 (10.2)	0.056 (0.317)	17.893 (3.15)	0.056 (0.316)	17.979 (3.165)	0.055 (0.315)	18.036 (3.175)	0.055 (0.314)	18.066 (3.181)	0.055 (0.314)	18.093 (3.185)
	5 (12.7)	0.046 (0.259)	21.967 (3.867)	0.045 (0.257)	22.096 (3.89)	0.045 (0.256)	22.183 (3.905)	0.045 (0.256)	22.228 (3.913)	0.045 (0.255)	22.269 (3.921)
	6 (15.2)	0.038 (0.218)	26.025 (4.582)	0.038 (0.217)	26.206 (4.614)	0.038 (0.216)	26.329 (4.635)	0.038 (0.215)	26.393 (4.647)	0.038 (0.215)	26.451 (4.657)
24" (609.6mm)		0.25 pcs/ft <sup>2</sup> (bracket) 2.69 pcs/m <sup>2</sup> (bracket)		0.2 pcs/ft <sup>2</sup> (bracket) 2.19 pcs/m <sup>2</sup> (bracket)		0.17 pcs/ft <sup>2</sup> (bracket) 1.85 pcs/m <sup>2</sup> (bracket)		0.16 pcs/ft <sup>2</sup> (bracket) 1.68 pcs/m <sup>2</sup> (bracket)		0.14 pcs/ft <sup>2</sup> (bracket) 1.52 pcs/m <sup>2</sup> (bracket)	
		0.5 ft/ft <sup>2</sup> (rails) 1.64 m/m <sup>2</sup> (rails)									
	4 (10.2)	0.055 (0.312)	18.183 (3.201)	0.055 (0.311)	18.242 (3.212)	0.055 (0.311)	18.282 (3.219)	0.055 (0.31)	18.302 (3.222)	0.055 (0.31)	18.321 (3.226)
	5 (12.7)	0.045 (0.255)	22.312 (3.928)	0.045 (0.254)	22.401 (3.944)	0.045 (0.253)	22.46 (3.954)	0.044 (0.253)	22.491 (3.96)	0.044 (0.252)	22.519 (3.965)
	6 (15.2)	0.038 (0.215)	26.43 (4.653)	0.038 (0.214)	26.555 (4.675)	0.038 (0.213)	26.638 (4.69)	0.037 (0.213)	26.682 (4.698)	0.037 (0.213)	26.722 (4.704)
32" (812.8mm)		0.19 pcs/ft <sup>2</sup> (bracket) 2.02 pcs/m <sup>2</sup> (bracket)		0.15 pcs/ft <sup>2</sup> (bracket) 1.64 pcs/m <sup>2</sup> (bracket)		0.13 pcs/ft <sup>2</sup> (bracket) 1.39 pcs/m <sup>2</sup> (bracket)		0.12 pcs/ft <sup>2</sup> (bracket) 1.26 pcs/m <sup>2</sup> (bracket)		0.11 pcs/ft <sup>2</sup> (bracket) 1.14 pcs/m <sup>2</sup> (bracket)	
		0.38 ft/ft <sup>2</sup> (rails) 1.23 m/m <sup>2</sup> (rails)									
	4 (10.2)	0.055 (0.31)	18.332 (3.228)	0.054 (0.309)	18.377 (3.235)	0.054 (0.309)	18.407 (3.241)	0.054 (0.308)	18.423 (3.243)	0.054 (0.308)	18.437 (3.246)
	5 (12.7)	0.044 (0.253)	22.489 (3.959)	0.044 (0.252)	22.557 (3.971)	0.044 (0.251)	22.602 (3.979)	0.044 (0.251)	22.625 (3.983)	0.044 (0.251)	22.647 (3.987)
	6 (15.2)	0.038 (0.213)	26.638 (4.69)	0.037 (0.212)	26.732 (4.706)	0.037 (0.212)	26.796 (4.718)	0.037 (0.212)	26.829 (4.723)	0.037 (0.211)	26.859 (4.729)
40" (1016mm)		0.15 pcs/ft <sup>2</sup> (bracket) 1.61 pcs/m <sup>2</sup> (bracket)		0.12 pcs/ft <sup>2</sup> (bracket) 1.31 pcs/m <sup>2</sup> (bracket)		0.1 pcs/ft <sup>2</sup> (bracket) 1.11 pcs/m <sup>2</sup> (bracket)		0.09 pcs/ft <sup>2</sup> (bracket) 1.01 pcs/m <sup>2</sup> (bracket)		0.08 pcs/ft <sup>2</sup> (bracket) 0.91 pcs/m <sup>2</sup> (bracket)	
		0.3 ft/ft <sup>2</sup> (rails) 0.98 m/m <sup>2</sup> (rails)									
	4 (10.2)	0.054 (0.308)	18.423 (3.243)	0.054 (0.308)	18.459 (3.25)	0.054 (0.307)	18.483 (3.254)	0.054 (0.307)	18.496 (3.256)	0.054 (0.307)	18.507 (3.258)
	5 (12.7)	0.044 (0.251)	22.597 (3.978)	0.044 (0.251)	22.651 (3.988)	0.044 (0.25)	22.687 (3.994)	0.044 (0.25)	22.706 (3.998)	0.044 (0.25)	22.724 (4.001)
	6 (15.2)	0.037 (0.212)	26.764 (4.712)	0.037 (0.212)	26.84 (4.725)	0.037 (0.211)	26.891 (4.734)	0.037 (0.211)	26.918 (4.739)	0.037 (0.211)	26.942 (4.743)

<sup>a</sup>Between insulation thicknesses the values can be interpolated

# R-VALUE TABLES

## Fox VT Concrete 6" (152.4mm)

**Brackets:** Vertical thermal broken brackets (medium size)

**Base Material:** Concrete 6" (152.4mm)

Horizontal Stud to Stud Spacing	Exterior Insulation Thickness* in. (cm)	Vertical Bracket to Bracket Spacing									
		24" Vertical (609.6mm)		30" Vertical (762mm)		36" Vertical (914.4mm)		42" Vertical (1066.8mm)		48" Vertical (1219.2mm)	
		Effective U-Value BTU/h*ft <sup>2</sup> *°F (W/m <sup>2</sup> K)	Effective R-Value h*ft <sup>2</sup> *°F/ BTU (m <sup>2</sup> K/W)	Effective U-Value BTU/h*ft <sup>2</sup> *°F (W/m <sup>2</sup> K)	Effective R-Value h*ft <sup>2</sup> *°F/ BTU (m <sup>2</sup> K/W)	Effective U-Value BTU/h*ft <sup>2</sup> *°F (W/m <sup>2</sup> K)	Effective R-Value h*ft <sup>2</sup> *°F/ BTU (m <sup>2</sup> K/W)	Effective U-Value BTU/h*ft <sup>2</sup> *°F (W/m <sup>2</sup> K)	Effective R-Value h*ft <sup>2</sup> *°F/ BTU (m <sup>2</sup> K/W)	Effective U-Value BTU/h*ft <sup>2</sup> *°F (W/m <sup>2</sup> K)	Effective R-Value h*ft <sup>2</sup> *°F/ BTU (m <sup>2</sup> K/W)
16" (406.4mm)		0.38 pcs/ft <sup>2</sup> (bracket) 4.04 pcs/m <sup>2</sup> (bracket)		0.3 pcs/ft <sup>2</sup> (bracket) 3.28 pcs/m <sup>2</sup> (bracket)		0.26 pcs/ft <sup>2</sup> (bracket) 2.78 pcs/m <sup>2</sup> (bracket)		0.23 pcs/ft <sup>2</sup> (bracket) 2.52 pcs/m <sup>2</sup> (bracket)		0.21 pcs/ft <sup>2</sup> (bracket) 2.28 pcs/m <sup>2</sup> (bracket)	
		0.75 ft/ft <sup>2</sup> (rails) 2.46 m/m <sup>2</sup> (rails)									
	4 (10.2)	0.056 (0.316)	17.955 (3.161)	0.055 (0.315)	18.042 (3.176)	0.055 (0.314)	18.099 (3.187)	0.055 (0.313)	18.13 (3.192)	0.055 (0.313)	18.157 (3.197)
	5 (12.7)	0.045 (0.258)	22.029 (3.878)	0.045 (0.256)	22.159 (3.901)	0.045 (0.255)	22.246 (3.917)	0.045 (0.255)	22.292 (3.925)	0.045 (0.254)	22.334 (3.932)
	6 (15.2)	0.038 (0.218)	26.087 (4.593)	0.038 (0.216)	26.27 (4.625)	0.038 (0.215)	26.393 (4.647)	0.038 (0.215)	26.457 (4.658)	0.038 (0.214)	26.515 (4.668)
24" (609.6mm)		0.25 pcs/ft <sup>2</sup> (bracket) 2.69 pcs/m <sup>2</sup> (bracket)		0.2 pcs/ft <sup>2</sup> (bracket) 2.19 pcs/m <sup>2</sup> (bracket)		0.17 pcs/ft <sup>2</sup> (bracket) 1.85 pcs/m <sup>2</sup> (bracket)		0.16 pcs/ft <sup>2</sup> (bracket) 1.68 pcs/m <sup>2</sup> (bracket)		0.14 pcs/ft <sup>2</sup> (bracket) 1.52 pcs/m <sup>2</sup> (bracket)	
		0.5 ft/ft <sup>2</sup> (rails) 1.64 m/m <sup>2</sup> (rails)									
	4 (10.2)	0.055 (0.311)	18.248 (3.213)	0.055 (0.31)	18.307 (3.223)	0.055 (0.31)	18.347 (3.23)	0.054 (0.309)	18.367 (3.234)	0.054 (0.309)	18.386 (3.237)
	5 (12.7)	0.045 (0.254)	22.377 (3.94)	0.045 (0.253)	22.466 (3.955)	0.044 (0.252)	22.526 (3.966)	0.044 (0.252)	22.557 (3.971)	0.044 (0.251)	22.585 (3.976)
	6 (15.2)	0.038 (0.214)	26.495 (4.665)	0.038 (0.213)	26.62 (4.687)	0.037 (0.213)	26.704 (4.701)	0.037 (0.212)	26.748 (4.709)	0.037 (0.212)	26.787 (4.716)
32" (812.8mm)		0.19 pcs/ft <sup>2</sup> (bracket) 2.02 pcs/m <sup>2</sup> (bracket)		0.15 pcs/ft <sup>2</sup> (bracket) 1.64 pcs/m <sup>2</sup> (bracket)		0.13 pcs/ft <sup>2</sup> (bracket) 1.39 pcs/m <sup>2</sup> (bracket)		0.12 pcs/ft <sup>2</sup> (bracket) 1.26 pcs/m <sup>2</sup> (bracket)		0.11 pcs/ft <sup>2</sup> (bracket) 1.14 pcs/m <sup>2</sup> (bracket)	
		0.38 ft/ft <sup>2</sup> (rails) 1.23 m/m <sup>2</sup> (rails)									
	4 (10.2)	0.054 (0.309)	18.398 (3.239)	0.054 (0.308)	18.443 (3.247)	0.054 (0.307)	18.473 (3.252)	0.054 (0.307)	18.489 (3.255)	0.054 (0.307)	18.503 (3.258)
	5 (12.7)	0.044 (0.252)	22.555 (3.971)	0.044 (0.251)	22.622 (3.983)	0.044 (0.251)	22.668 (3.991)	0.044 (0.25)	22.692 (3.995)	0.044 (0.25)	22.713 (3.999)
	6 (15.2)	0.037 (0.213)	26.703 (4.701)	0.037 (0.212)	26.798 (4.718)	0.037 (0.211)	26.862 (4.729)	0.037 (0.211)	26.895 (4.735)	0.037 (0.211)	26.926 (4.74)
40" (1016mm)		0.15 pcs/ft <sup>2</sup> (bracket) 1.61 pcs/m <sup>2</sup> (bracket)		0.12 pcs/ft <sup>2</sup> (bracket) 1.31 pcs/m <sup>2</sup> (bracket)		0.1 pcs/ft <sup>2</sup> (bracket) 1.11 pcs/m <sup>2</sup> (bracket)		0.09 pcs/ft <sup>2</sup> (bracket) 1.01 pcs/m <sup>2</sup> (bracket)		0.08 pcs/ft <sup>2</sup> (bracket) 0.91 pcs/m <sup>2</sup> (bracket)	
		0.3 ft/ft <sup>2</sup> (rails) 0.98 m/m <sup>2</sup> (rails)									
	4 (10.2)	0.054 (0.307)	18.489 (3.255)	0.054 (0.307)	18.525 (3.261)	0.054 (0.306)	18.549 (3.266)	0.054 (0.306)	18.562 (3.268)	0.054 (0.306)	18.574 (3.27)
	5 (12.7)	0.044 (0.251)	22.663 (3.99)	0.044 (0.25)	22.717 (4)	0.044 (0.25)	22.754 (4.006)	0.044 (0.249)	22.773 (4.009)	0.044 (0.249)	22.79 (4.012)
	6 (15.2)	0.037 (0.212)	26.83 (4.724)	0.037 (0.211)	26.907 (4.737)	0.037 (0.211)	26.958 (4.746)	0.037 (0.21)	26.985 (4.751)	0.037 (0.21)	27.009 (4.755)

\*Between insulation thicknesses the values can be interpolated



# R-VALUE TABLES

## Fox VT Concrete 8" (203.2mm)

**Brackets:** Vertical thermal broken brackets (medium size)

**Base Material:** Concrete 8" (203.2mm)

Horizontal Stud to Stud Spacing	Exterior Insulation Thickness* in. (cm)	Vertical Bracket to Bracket Spacing									
		24" Vertical (609.6mm)		30" Vertical (762mm)		36" Vertical (914.4mm)		42" Vertical (1066.8mm)		48" Vertical (1219.2mm)	
		Effective U-Value BTU/h*ft <sup>2</sup> *°F (W/m <sup>2</sup> K)	Effective R-Value h*ft <sup>2</sup> *°F/ BTU (m <sup>2</sup> K/W)	Effective U-Value BTU/h*ft <sup>2</sup> *°F (W/m <sup>2</sup> K)	Effective R-Value h*ft <sup>2</sup> *°F/ BTU (m <sup>2</sup> K/W)	Effective U-Value BTU/h*ft <sup>2</sup> *°F (W/m <sup>2</sup> K)	Effective R-Value h*ft <sup>2</sup> *°F/ BTU (m <sup>2</sup> K/W)	Effective U-Value BTU/h*ft <sup>2</sup> *°F (W/m <sup>2</sup> K)	Effective R-Value h*ft <sup>2</sup> *°F/ BTU (m <sup>2</sup> K/W)	Effective U-Value BTU/h*ft <sup>2</sup> *°F (W/m <sup>2</sup> K)	Effective R-Value h*ft <sup>2</sup> *°F/ BTU (m <sup>2</sup> K/W)
16" (406.4mm)		0.38 pcs/ft <sup>2</sup> (bracket) 4.04 pcs/m <sup>2</sup> (bracket)		0.3 pcs/ft <sup>2</sup> (bracket) 3.28 pcs/m <sup>2</sup> (bracket)		0.26 pcs/ft <sup>2</sup> (bracket) 2.78 pcs/m <sup>2</sup> (bracket)		0.23 pcs/ft <sup>2</sup> (bracket) 2.52 pcs/m <sup>2</sup> (bracket)		0.21 pcs/ft <sup>2</sup> (bracket) 2.28 pcs/m <sup>2</sup> (bracket)	
		0.75 ft/ft <sup>2</sup> (rails) 2.46 m/m <sup>2</sup> (rails)									
	4 (10.2)	0.055 (0.314)	18.08 (3.183)	0.055 (0.313)	18.167 (3.198)	0.055 (0.312)	18.226 (3.209)	0.055 (0.311)	18.257 (3.214)	0.055 (0.311)	18.284 (3.219)
	5 (12.7)	0.045 (0.256)	22.154 (3.9)	0.045 (0.255)	22.285 (3.923)	0.045 (0.254)	22.374 (3.939)	0.045 (0.253)	22.42 (3.947)	0.045 (0.253)	22.462 (3.955)
	6 (15.2)	0.038 (0.217)	26.212 (4.615)	0.038 (0.215)	26.397 (4.647)	0.038 (0.214)	26.521 (4.669)	0.038 (0.214)	26.586 (4.681)	0.038 (0.213)	26.644 (4.691)
24" (609.6mm)		0.25 pcs/ft <sup>2</sup> (bracket) 2.69 pcs/m <sup>2</sup> (bracket)		0.2 pcs/ft <sup>2</sup> (bracket) 2.19 pcs/m <sup>2</sup> (bracket)		0.17 pcs/ft <sup>2</sup> (bracket) 1.85 pcs/m <sup>2</sup> (bracket)		0.16 pcs/ft <sup>2</sup> (bracket) 1.68 pcs/m <sup>2</sup> (bracket)		0.14 pcs/ft <sup>2</sup> (bracket) 1.52 pcs/m <sup>2</sup> (bracket)	
		0.5 ft/ft <sup>2</sup> (rails) 1.64 m/m <sup>2</sup> (rails)									
	4 (10.2)	0.054 (0.309)	18.376 (3.235)	0.054 (0.308)	18.436 (3.246)	0.054 (0.307)	18.477 (3.253)	0.054 (0.307)	18.498 (3.257)	0.054 (0.307)	18.517 (3.26)
	5 (12.7)	0.044 (0.252)	22.506 (3.962)	0.044 (0.251)	22.596 (3.978)	0.044 (0.251)	22.656 (3.989)	0.044 (0.25)	22.688 (3.994)	0.044 (0.25)	22.716 (3.999)
	6 (15.2)	0.038 (0.213)	26.624 (4.687)	0.037 (0.212)	26.75 (4.71)	0.037 (0.212)	26.835 (4.724)	0.037 (0.211)	26.879 (4.732)	0.037 (0.211)	26.919 (4.739)
32" (812.8mm)		0.19 pcs/ft <sup>2</sup> (bracket) 2.02 pcs/m <sup>2</sup> (bracket)		0.15 pcs/ft <sup>2</sup> (bracket) 1.64 pcs/m <sup>2</sup> (bracket)		0.13 pcs/ft <sup>2</sup> (bracket) 1.39 pcs/m <sup>2</sup> (bracket)		0.12 pcs/ft <sup>2</sup> (bracket) 1.26 pcs/m <sup>2</sup> (bracket)		0.11 pcs/ft <sup>2</sup> (bracket) 1.14 pcs/m <sup>2</sup> (bracket)	
		0.38 ft/ft <sup>2</sup> (rails) 1.23 m/m <sup>2</sup> (rails)									
	4 (10.2)	0.054 (0.307)	18.528 (3.262)	0.054 (0.306)	18.574 (3.27)	0.054 (0.305)	18.605 (3.275)	0.054 (0.305)	18.621 (3.278)	0.054 (0.305)	18.635 (3.281)
	5 (12.7)	0.044 (0.25)	22.685 (3.994)	0.044 (0.25)	22.754 (4.006)	0.044 (0.249)	22.8 (4.014)	0.044 (0.249)	22.824 (4.018)	0.044 (0.249)	22.846 (4.022)
	6 (15.2)	0.037 (0.212)	26.834 (4.724)	0.037 (0.211)	26.93 (4.741)	0.037 (0.21)	26.995 (4.753)	0.037 (0.21)	27.028 (4.759)	0.037 (0.21)	27.059 (4.764)
40" (1016mm)		0.15 pcs/ft <sup>2</sup> (bracket) 1.61 pcs/m <sup>2</sup> (bracket)		0.12 pcs/ft <sup>2</sup> (bracket) 1.31 pcs/m <sup>2</sup> (bracket)		0.1 pcs/ft <sup>2</sup> (bracket) 1.11 pcs/m <sup>2</sup> (bracket)		0.09 pcs/ft <sup>2</sup> (bracket) 1.01 pcs/m <sup>2</sup> (bracket)		0.08 pcs/ft <sup>2</sup> (bracket) 0.91 pcs/m <sup>2</sup> (bracket)	
		0.3 ft/ft <sup>2</sup> (rails) 0.98 m/m <sup>2</sup> (rails)									
	4 (10.2)	0.054 (0.305)	18.621 (3.278)	0.054 (0.304)	18.658 (3.285)	0.054 (0.304)	18.682 (3.289)	0.053 (0.304)	18.695 (3.291)	0.053 (0.304)	18.707 (3.293)
	5 (12.7)	0.044 (0.249)	22.795 (4.013)	0.044 (0.249)	22.85 (4.023)	0.044 (0.248)	22.887 (4.029)	0.044 (0.248)	22.907 (4.033)	0.044 (0.248)	22.924 (4.036)
	6 (15.2)	0.037 (0.211)	26.962 (4.747)	0.037 (0.21)	27.04 (4.761)	0.037 (0.21)	27.092 (4.77)	0.037 (0.209)	27.119 (4.774)	0.037 (0.209)	27.143 (4.779)

\*Between insulation thicknesses the values can be interpolated

# R-VALUE TABLES

## Fox VT Concrete 10" (254mm)

**Brackets:** Vertical thermal broken brackets (medium size)

**Base Material:** Concrete 10" (254mm)

Horizontal Stud to Stud Spacing	Exterior Insulation Thickness <sup>1</sup> in. (cm)	Vertical Bracket to Bracket Spacing									
		24" Vertical (609.6mm)		30" Vertical (762mm)		36" Vertical (914.4mm)		42" Vertical (1066.8mm)		48" Vertical (1219.2mm)	
		Effective U-Value BTU/h*ft <sup>2</sup> *°F (W/m <sup>2</sup> K)	Effective R-Value h*ft <sup>2</sup> *°F/ BTU (m <sup>2</sup> K/W)	Effective U-Value BTU/h*ft <sup>2</sup> *°F (W/m <sup>2</sup> K)	Effective R-Value h*ft <sup>2</sup> *°F/ BTU (m <sup>2</sup> K/W)	Effective U-Value BTU/h*ft <sup>2</sup> *°F (W/m <sup>2</sup> K)	Effective R-Value h*ft <sup>2</sup> *°F/ BTU (m <sup>2</sup> K/W)	Effective U-Value BTU/h*ft <sup>2</sup> *°F (W/m <sup>2</sup> K)	Effective R-Value h*ft <sup>2</sup> *°F/ BTU (m <sup>2</sup> K/W)	Effective U-Value BTU/h*ft <sup>2</sup> *°F (W/m <sup>2</sup> K)	Effective R-Value h*ft <sup>2</sup> *°F/ BTU (m <sup>2</sup> K/W)
16" (406.4mm)		0.38 pcs/ft <sup>2</sup> (bracket) 4.04 pcs/m <sup>2</sup> (bracket)		0.3 pcs/ft <sup>2</sup> (bracket) 3.28 pcs/m <sup>2</sup> (bracket)		0.26 pcs/ft <sup>2</sup> (bracket) 2.78 pcs/m <sup>2</sup> (bracket)		0.23 pcs/ft <sup>2</sup> (bracket) 2.52 pcs/m <sup>2</sup> (bracket)		0.21 pcs/ft <sup>2</sup> (bracket) 2.28 pcs/m <sup>2</sup> (bracket)	
		0.75 ft/ft <sup>2</sup> (rails) 2.46 m/m <sup>2</sup> (rails)									
	4 (10.2)	0.055 (0.312)	18.204 (3.205)	0.055 (0.311)	18.293 (3.221)	0.054 (0.309)	18.352 (3.231)	0.054 (0.309)	18.383 (3.237)	0.054 (0.309)	18.412 (3.241)
	5 (12.7)	0.045 (0.255)	22.279 (3.922)	0.045 (0.253)	22.412 (3.946)	0.044 (0.252)	22.501 (3.961)	0.044 (0.252)	22.548 (3.97)	0.044 (0.251)	22.59 (3.977)
	6 (15.2)	0.038 (0.216)	26.337 (4.637)	0.038 (0.214)	26.523 (4.67)	0.038 (0.213)	26.648 (4.692)	0.037 (0.213)	26.714 (4.703)	0.037 (0.212)	26.774 (4.714)
24" (609.6mm)		0.25 pcs/ft <sup>2</sup> (bracket) 2.69 pcs/m <sup>2</sup> (bracket)		0.2 pcs/ft <sup>2</sup> (bracket) 2.19 pcs/m <sup>2</sup> (bracket)		0.17 pcs/ft <sup>2</sup> (bracket) 1.85 pcs/m <sup>2</sup> (bracket)		0.16 pcs/ft <sup>2</sup> (bracket) 1.68 pcs/m <sup>2</sup> (bracket)		0.14 pcs/ft <sup>2</sup> (bracket) 1.52 pcs/m <sup>2</sup> (bracket)	
		0.5 ft/ft <sup>2</sup> (rails) 1.64 m/m <sup>2</sup> (rails)									
	4 (10.2)	0.054 (0.307)	18.505 (3.258)	0.054 (0.306)	18.566 (3.269)	0.054 (0.305)	18.607 (3.276)	0.054 (0.305)	18.628 (3.28)	0.054 (0.305)	18.647 (3.283)
	5 (12.7)	0.044 (0.251)	22.634 (3.985)	0.044 (0.25)	22.726 (4.001)	0.044 (0.249)	22.787 (4.012)	0.044 (0.249)	22.819 (4.017)	0.044 (0.249)	22.848 (4.022)
	6 (15.2)	0.037 (0.212)	26.753 (4.71)	0.037 (0.211)	26.88 (4.732)	0.037 (0.211)	26.966 (4.747)	0.037 (0.21)	27.011 (4.755)	0.037 (0.21)	27.051 (4.763)
32" (812.8mm)		0.19 pcs/ft <sup>2</sup> (bracket) 2.02 pcs/m <sup>2</sup> (bracket)		0.15 pcs/ft <sup>2</sup> (bracket) 1.64 pcs/m <sup>2</sup> (bracket)		0.13 pcs/ft <sup>2</sup> (bracket) 1.39 pcs/m <sup>2</sup> (bracket)		0.12 pcs/ft <sup>2</sup> (bracket) 1.26 pcs/m <sup>2</sup> (bracket)		0.11 pcs/ft <sup>2</sup> (bracket) 1.14 pcs/m <sup>2</sup> (bracket)	
		0.38 ft/ft <sup>2</sup> (rails) 1.23 m/m <sup>2</sup> (rails)									
	4 (10.2)	0.054 (0.304)	18.659 (3.285)	0.053 (0.304)	18.705 (3.293)	0.053 (0.303)	18.736 (3.299)	0.053 (0.303)	18.753 (3.302)	0.053 (0.303)	18.767 (3.304)
	5 (12.7)	0.044 (0.249)	22.816 (4.017)	0.044 (0.248)	22.886 (4.029)	0.044 (0.248)	22.932 (4.037)	0.044 (0.247)	22.957 (4.042)	0.044 (0.247)	22.978 (4.046)
	6 (15.2)	0.037 (0.211)	26.965 (4.747)	0.037 (0.21)	27.062 (4.764)	0.037 (0.209)	27.127 (4.776)	0.037 (0.209)	27.161 (4.782)	0.037 (0.209)	27.192 (4.787)
40" (1016mm)		0.15 pcs/ft <sup>2</sup> (bracket) 1.61 pcs/m <sup>2</sup> (bracket)		0.12 pcs/ft <sup>2</sup> (bracket) 1.31 pcs/m <sup>2</sup> (bracket)		0.1 pcs/ft <sup>2</sup> (bracket) 1.11 pcs/m <sup>2</sup> (bracket)		0.09 pcs/ft <sup>2</sup> (bracket) 1.01 pcs/m <sup>2</sup> (bracket)		0.08 pcs/ft <sup>2</sup> (bracket) 0.91 pcs/m <sup>2</sup> (bracket)	
		0.3 ft/ft <sup>2</sup> (rails) 0.98 m/m <sup>2</sup> (rails)									
	4 (10.2)	0.053 (0.303)	18.753 (3.302)	0.053 (0.302)	18.79 (3.308)	0.053 (0.302)	18.815 (3.313)	0.053 (0.302)	18.828 (3.315)	0.053 (0.301)	18.84 (3.317)
	5 (12.7)	0.044 (0.248)	22.927 (4.036)	0.044 (0.247)	22.983 (4.046)	0.043 (0.247)	23.02 (4.053)	0.043 (0.247)	23.04 (4.056)	0.043 (0.246)	23.058 (4.059)
	6 (15.2)	0.037 (0.21)	27.094 (4.77)	0.037 (0.209)	27.173 (4.784)	0.037 (0.209)	27.225 (4.793)	0.037 (0.208)	27.252 (4.798)	0.037 (0.208)	27.277 (4.802)

<sup>1</sup>Between insulation thicknesses the values can be interpolated

# R-VALUE TABLES

## Fox VT Concrete 12" (304.8mm)

**Brackets:** Vertical thermal broken brackets (medium size)

**Base Material:** Concrete 12" (304.8mm)

Horizontal Stud to Stud Spacing	Exterior Insulation Thickness <sup>a</sup> in. (cm)	Vertical Bracket to Bracket Spacing									
		24" Vertical (609.6mm)		30" Vertical (762mm)		36" Vertical (914.4mm)		42" Vertical (1066.8mm)		48" Vertical (1219.2mm)	
		Effective U-Value BTU/h*ft <sup>2</sup> *°F (W/m <sup>2</sup> K)	Effective R-Value h*ft <sup>2</sup> *°F/ BTU (m <sup>2</sup> K/W)	Effective U-Value BTU/h*ft <sup>2</sup> *°F (W/m <sup>2</sup> K)	Effective R-Value h*ft <sup>2</sup> *°F/ BTU (m <sup>2</sup> K/W)	Effective U-Value BTU/h*ft <sup>2</sup> *°F (W/m <sup>2</sup> K)	Effective R-Value h*ft <sup>2</sup> *°F/ BTU (m <sup>2</sup> K/W)	Effective U-Value BTU/h*ft <sup>2</sup> *°F (W/m <sup>2</sup> K)	Effective R-Value h*ft <sup>2</sup> *°F/ BTU (m <sup>2</sup> K/W)	Effective U-Value BTU/h*ft <sup>2</sup> *°F (W/m <sup>2</sup> K)	Effective R-Value h*ft <sup>2</sup> *°F/ BTU (m <sup>2</sup> K/W)
16" (406.4mm)		0.38 pcs/ft <sup>2</sup> (bracket) 4.04 pcs/m <sup>2</sup> (bracket)		0.3 pcs/ft <sup>2</sup> (bracket) 3.28 pcs/m <sup>2</sup> (bracket)		0.26 pcs/ft <sup>2</sup> (bracket) 2.78 pcs/m <sup>2</sup> (bracket)		0.23 pcs/ft <sup>2</sup> (bracket) 2.52 pcs/m <sup>2</sup> (bracket)		0.21 pcs/ft <sup>2</sup> (bracket) 2.28 pcs/m <sup>2</sup> (bracket)	
		0.75 ft/ft <sup>2</sup> (rails) 2.46 m/m <sup>2</sup> (rails)									
	4 (10.2)	0.055 (0.31)	18.328 (3.227)	0.054 (0.308)	18.418 (3.243)	0.054 (0.307)	18.479 (3.253)	0.054 (0.307)	18.51 (3.259)	0.054 (0.306)	18.539 (3.264)
	5 (12.7)	0.045 (0.254)	22.404 (3.944)	0.044 (0.252)	22.538 (3.968)	0.044 (0.251)	22.628 (3.984)	0.044 (0.25)	22.676 (3.992)	0.044 (0.25)	22.718 (4)
	6 (15.2)	0.038 (0.215)	26.462 (4.659)	0.038 (0.213)	26.65 (4.692)	0.037 (0.212)	26.776 (4.714)	0.037 (0.212)	26.843 (4.726)	0.037 (0.211)	26.903 (4.736)
24" (609.6mm)		0.25 pcs/ft <sup>2</sup> (bracket) 2.69 pcs/m <sup>2</sup> (bracket)		0.2 pcs/ft <sup>2</sup> (bracket) 2.19 pcs/m <sup>2</sup> (bracket)		0.17 pcs/ft <sup>2</sup> (bracket) 1.85 pcs/m <sup>2</sup> (bracket)		0.16 pcs/ft <sup>2</sup> (bracket) 1.68 pcs/m <sup>2</sup> (bracket)		0.14 pcs/ft <sup>2</sup> (bracket) 1.52 pcs/m <sup>2</sup> (bracket)	
		0.5 ft/ft <sup>2</sup> (rails) 1.64 m/m <sup>2</sup> (rails)									
	4 (10.2)	0.054 (0.305)	18.633 (3.281)	0.053 (0.304)	18.695 (3.291)	0.053 (0.303)	18.736 (3.299)	0.053 (0.303)	18.758 (3.302)	0.053 (0.302)	18.778 (3.306)
	5 (12.7)	0.044 (0.25)	22.763 (4.008)	0.044 (0.249)	22.855 (4.024)	0.044 (0.248)	22.917 (4.035)	0.044 (0.247)	22.95 (4.04)	0.044 (0.247)	22.979 (4.046)
	6 (15.2)	0.037 (0.211)	26.881 (4.733)	0.037 (0.21)	27.01 (4.755)	0.037 (0.21)	27.097 (4.771)	0.037 (0.209)	27.142 (4.778)	0.037 (0.209)	27.183 (4.786)
32" (812.8mm)		0.19 pcs/ft <sup>2</sup> (bracket) 2.02 pcs/m <sup>2</sup> (bracket)		0.15 pcs/ft <sup>2</sup> (bracket) 1.64 pcs/m <sup>2</sup> (bracket)		0.13 pcs/ft <sup>2</sup> (bracket) 1.39 pcs/m <sup>2</sup> (bracket)		0.12 pcs/ft <sup>2</sup> (bracket) 1.26 pcs/m <sup>2</sup> (bracket)		0.11 pcs/ft <sup>2</sup> (bracket) 1.14 pcs/m <sup>2</sup> (bracket)	
		0.38 ft/ft <sup>2</sup> (rails) 1.23 m/m <sup>2</sup> (rails)									
	4 (10.2)	0.053 (0.302)	18.79 (3.308)	0.053 (0.302)	18.837 (3.316)	0.053 (0.301)	18.868 (3.322)	0.053 (0.301)	18.885 (3.325)	0.053 (0.301)	18.899 (3.327)
	5 (12.7)	0.044 (0.248)	22.947 (4.04)	0.043 (0.247)	23.017 (4.052)	0.043 (0.246)	23.064 (4.061)	0.043 (0.246)	23.089 (4.065)	0.043 (0.246)	23.111 (4.069)
	6 (15.2)	0.037 (0.21)	27.096 (4.77)	0.037 (0.209)	27.194 (4.788)	0.037 (0.208)	27.26 (4.799)	0.037 (0.208)	27.294 (4.805)	0.037 (0.208)	27.325 (4.811)
40" (1016mm)		0.15 pcs/ft <sup>2</sup> (bracket) 1.61 pcs/m <sup>2</sup> (bracket)		0.12 pcs/ft <sup>2</sup> (bracket) 1.31 pcs/m <sup>2</sup> (bracket)		0.1 pcs/ft <sup>2</sup> (bracket) 1.11 pcs/m <sup>2</sup> (bracket)		0.09 pcs/ft <sup>2</sup> (bracket) 1.01 pcs/m <sup>2</sup> (bracket)		0.08 pcs/ft <sup>2</sup> (bracket) 0.91 pcs/m <sup>2</sup> (bracket)	
		0.3 ft/ft <sup>2</sup> (rails) 0.98 m/m <sup>2</sup> (rails)									
	4 (10.2)	0.053 (0.301)	18.885 (3.325)	0.053 (0.3)	18.923 (3.331)	0.053 (0.3)	18.948 (3.336)	0.053 (0.3)	18.961 (3.338)	0.053 (0.299)	18.973 (3.34)
	5 (12.7)	0.043 (0.246)	23.059 (4.06)	0.043 (0.246)	23.116 (4.07)	0.043 (0.245)	23.154 (4.076)	0.043 (0.245)	23.173 (4.08)	0.043 (0.245)	23.191 (4.083)
	6 (15.2)	0.037 (0.209)	27.226 (4.793)	0.037 (0.208)	27.306 (4.807)	0.037 (0.208)	27.359 (4.817)	0.037 (0.207)	27.386 (4.822)	0.036 (0.207)	27.411 (4.826)

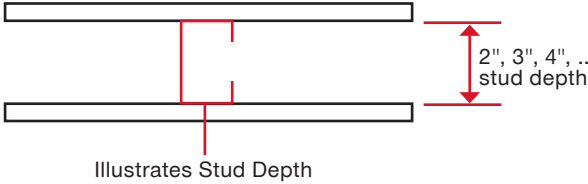
<sup>a</sup>Between insulation thicknesses the values can be interpolated

# R-VALUE TABLES

## Fox VT Metal Studs (Insulated) 2" (50.8mm)

**Brackets:** Vertical thermal broken brackets (medium size)

**Base Material:** Metal studs (insulated)



Horizontal Stud to Stud Spacing	Exterior Insulation Thickness <sup>1</sup> in. (cm)	Vertical Bracket to Bracket Spacing									
		24" Vertical (609.6mm)		30" Vertical (762mm)		36" Vertical (914.4mm)		42" Vertical (1066.8mm)		48" Vertical (1219.2mm)	
		Effective U-Value BTU/h*ft <sup>2</sup> *°F (W/m <sup>2</sup> K)	Effective R-Value h*ft <sup>2</sup> *°F/ BTU (m <sup>2</sup> K/W)	Effective U-Value BTU/h*ft <sup>2</sup> *°F (W/m <sup>2</sup> K)	Effective R-Value h*ft <sup>2</sup> *°F/ BTU (m <sup>2</sup> K/W)	Effective U-Value BTU/h*ft <sup>2</sup> *°F (W/m <sup>2</sup> K)	Effective R-Value h*ft <sup>2</sup> *°F/ BTU (m <sup>2</sup> K/W)	Effective U-Value BTU/h*ft <sup>2</sup> *°F (W/m <sup>2</sup> K)	Effective R-Value h*ft <sup>2</sup> *°F/ BTU (m <sup>2</sup> K/W)	Effective U-Value BTU/h*ft <sup>2</sup> *°F (W/m <sup>2</sup> K)	Effective R-Value h*ft <sup>2</sup> *°F/ BTU (m <sup>2</sup> K/W)
16" (406.4mm)		0.38 pcs/ft <sup>2</sup> (bracket) 4.04 pcs/m <sup>2</sup> (bracket)		0.3 pcs/ft <sup>2</sup> (bracket) 3.28 pcs/m <sup>2</sup> (bracket)		0.26 pcs/ft <sup>2</sup> (bracket) 2.78 pcs/m <sup>2</sup> (bracket)		0.23 pcs/ft <sup>2</sup> (bracket) 2.52 pcs/m <sup>2</sup> (bracket)		0.21 pcs/ft <sup>2</sup> (bracket) 2.28 pcs/m <sup>2</sup> (bracket)	
		0.75 ft/ft <sup>2</sup> (rails) 2.46 m/m <sup>2</sup> (rails)									
	4 (10.2)	0.04 (0.227)	25.059 (4.412)	0.04 (0.224)	25.313 (4.456)	0.039 (0.223)	25.484 (4.487)	0.039 (0.222)	25.574 (4.502)	0.039 (0.221)	25.656 (4.517)
	5 (12.7)	0.034 (0.192)	29.645 (5.219)	0.033 (0.19)	29.881 (5.261)	0.033 (0.189)	30.04 (5.289)	0.033 (0.189)	30.123 (5.303)	0.033 (0.188)	30.199 (5.317)
	6 (15.2)	0.029 (0.167)	33.976 (5.982)	0.029 (0.166)	34.24 (6.028)	0.029 (0.165)	34.417 (6.059)	0.029 (0.165)	34.51 (6.076)	0.029 (0.164)	34.594 (6.091)
24" (609.6mm)		0.25 pcs/ft <sup>2</sup> (bracket) 2.69 pcs/m <sup>2</sup> (bracket)		0.2 pcs/ft <sup>2</sup> (bracket) 2.19 pcs/m <sup>2</sup> (bracket)		0.17 pcs/ft <sup>2</sup> (bracket) 1.85 pcs/m <sup>2</sup> (bracket)		0.16 pcs/ft <sup>2</sup> (bracket) 1.68 pcs/m <sup>2</sup> (bracket)		0.14 pcs/ft <sup>2</sup> (bracket) 1.52 pcs/m <sup>2</sup> (bracket)	
		0.5 ft/ft <sup>2</sup> (rails) 1.64 m/m <sup>2</sup> (rails)									
	4 (10.2)	0.039 (0.22)	25.789 (4.54)	0.039 (0.219)	25.968 (4.572)	0.038 (0.218)	26.087 (4.593)	0.038 (0.217)	26.15 (4.604)	0.038 (0.217)	26.207 (4.614)
	5 (12.7)	0.033 (0.188)	30.278 (5.331)	0.033 (0.187)	30.442 (5.359)	0.033 (0.186)	30.551 (5.379)	0.033 (0.186)	30.609 (5.389)	0.033 (0.185)	30.661 (5.398)
	6 (15.2)	0.029 (0.164)	34.585 (6.089)	0.029 (0.163)	34.767 (6.121)	0.029 (0.163)	34.888 (6.142)	0.029 (0.163)	34.952 (6.154)	0.029 (0.162)	35.01 (6.164)
32" (812.8mm)		0.19 pcs/ft <sup>2</sup> (bracket) 2.02 pcs/m <sup>2</sup> (bracket)		0.15 pcs/ft <sup>2</sup> (bracket) 1.64 pcs/m <sup>2</sup> (bracket)		0.13 pcs/ft <sup>2</sup> (bracket) 1.39 pcs/m <sup>2</sup> (bracket)		0.12 pcs/ft <sup>2</sup> (bracket) 1.26 pcs/m <sup>2</sup> (bracket)		0.11 pcs/ft <sup>2</sup> (bracket) 1.14 pcs/m <sup>2</sup> (bracket)	
		0.38 ft/ft <sup>2</sup> (rails) 1.23 m/m <sup>2</sup> (rails)									
	4 (10.2)	0.038 (0.217)	26.17 (4.607)	0.038 (0.216)	26.308 (4.632)	0.038 (0.215)	26.4 (4.648)	0.038 (0.215)	26.448 (4.656)	0.038 (0.214)	26.492 (4.664)
	5 (12.7)	0.033 (0.186)	30.605 (5.388)	0.033 (0.185)	30.73 (5.41)	0.032 (0.184)	30.814 (5.425)	0.032 (0.184)	30.857 (5.433)	0.032 (0.184)	30.897 (5.44)
	6 (15.2)	0.029 (0.163)	34.898 (6.144)	0.029 (0.162)	35.036 (6.168)	0.028 (0.162)	35.129 (6.185)	0.028 (0.161)	35.177 (6.193)	0.028 (0.161)	35.221 (6.201)
40" (1016mm)		0.15 pcs/ft <sup>2</sup> (bracket) 1.61 pcs/m <sup>2</sup> (bracket)		0.12 pcs/ft <sup>2</sup> (bracket) 1.31 pcs/m <sup>2</sup> (bracket)		0.1 pcs/ft <sup>2</sup> (bracket) 1.11 pcs/m <sup>2</sup> (bracket)		0.09 pcs/ft <sup>2</sup> (bracket) 1.01 pcs/m <sup>2</sup> (bracket)		0.08 pcs/ft <sup>2</sup> (bracket) 0.91 pcs/m <sup>2</sup> (bracket)	
		0.3 ft/ft <sup>2</sup> (rails) 0.98 m/m <sup>2</sup> (rails)									
	4 (10.2)	0.038 (0.215)	26.405 (4.649)	0.038 (0.214)	26.516 (4.668)	0.038 (0.214)	26.591 (4.682)	0.038 (0.213)	26.631 (4.688)	0.038 (0.213)	26.666 (4.695)
	5 (12.7)	0.032 (0.184)	30.804 (5.423)	0.032 (0.184)	30.905 (5.441)	0.032 (0.183)	30.973 (5.453)	0.032 (0.183)	31.008 (5.459)	0.032 (0.183)	31.04 (5.465)
	6 (15.2)	0.028 (0.162)	35.088 (6.178)	0.028 (0.161)	35.2 (6.197)	0.028 (0.161)	35.275 (6.21)	0.028 (0.161)	35.314 (6.217)	0.028 (0.161)	35.349 (6.223)

<sup>1</sup>Between insulation thicknesses the values can be interpolated

# R-VALUE TABLES

## Fox VT Metal Studs (Insulated) 3" (76.2mm)

**Brackets:** Vertical thermal broken brackets (medium size)

**Base Material:** Metal studs (insulated)

Horizontal Stud to Stud Spacing	Exterior Insulation Thickness* in. (cm)	Vertical Bracket to Bracket Spacing									
		24" Vertical (609.6mm)		30" Vertical (762mm)		36" Vertical (914.4mm)		42" Vertical (1066.8mm)		48" Vertical (1219.2mm)	
		Effective U-Value BTU/h*ft <sup>2</sup> *°F (W/m <sup>2</sup> K)	Effective R-Value h*ft <sup>2</sup> *°F/ BTU (m <sup>2</sup> K/W)	Effective U-Value BTU/h*ft <sup>2</sup> *°F (W/m <sup>2</sup> K)	Effective R-Value h*ft <sup>2</sup> *°F/ BTU (m <sup>2</sup> K/W)	Effective U-Value BTU/h*ft <sup>2</sup> *°F (W/m <sup>2</sup> K)	Effective R-Value h*ft <sup>2</sup> *°F/ BTU (m <sup>2</sup> K/W)	Effective U-Value BTU/h*ft <sup>2</sup> *°F (W/m <sup>2</sup> K)	Effective R-Value h*ft <sup>2</sup> *°F/ BTU (m <sup>2</sup> K/W)	Effective U-Value BTU/h*ft <sup>2</sup> *°F (W/m <sup>2</sup> K)	Effective R-Value h*ft <sup>2</sup> *°F/ BTU (m <sup>2</sup> K/W)
16" (406.4mm)		0.38 pcs/ft <sup>2</sup> (bracket) 4.04 pcs/m <sup>2</sup> (bracket)		0.3 pcs/ft <sup>2</sup> (bracket) 3.28 pcs/m <sup>2</sup> (bracket)		0.26 pcs/ft <sup>2</sup> (bracket) 2.78 pcs/m <sup>2</sup> (bracket)		0.23 pcs/ft <sup>2</sup> (bracket) 2.52 pcs/m <sup>2</sup> (bracket)		0.21 pcs/ft <sup>2</sup> (bracket) 2.28 pcs/m <sup>2</sup> (bracket)	
		0.75 ft/ft <sup>2</sup> (rails) 2.46 m/m <sup>2</sup> (rails)									
	4 (10.2)	0.032 (0.183)	31.041 (5.465)	0.032 (0.181)	31.404 (5.529)	0.032 (0.179)	31.65 (5.572)	0.031 (0.179)	31.78 (5.595)	0.031 (0.178)	31.898 (5.616)
	5 (12.7)	0.028 (0.157)	36.101 (6.356)	0.027 (0.156)	36.399 (6.408)	0.027 (0.155)	36.599 (6.444)	0.027 (0.155)	36.704 (6.462)	0.027 (0.154)	36.8 (6.479)
	6 (15.2)	0.025 (0.14)	40.542 (7.138)	0.024 (0.139)	40.873 (7.196)	0.024 (0.138)	41.096 (7.235)	0.024 (0.138)	41.213 (7.256)	0.024 (0.137)	41.32 (7.275)
24" (609.6mm)		0.25 pcs/ft <sup>2</sup> (bracket) 2.69 pcs/m <sup>2</sup> (bracket)		0.2 pcs/ft <sup>2</sup> (bracket) 2.19 pcs/m <sup>2</sup> (bracket)		0.17 pcs/ft <sup>2</sup> (bracket) 1.85 pcs/m <sup>2</sup> (bracket)		0.16 pcs/ft <sup>2</sup> (bracket) 1.68 pcs/m <sup>2</sup> (bracket)		0.14 pcs/ft <sup>2</sup> (bracket) 1.52 pcs/m <sup>2</sup> (bracket)	
		0.5 ft/ft <sup>2</sup> (rails) 1.64 m/m <sup>2</sup> (rails)									
	4 (10.2)	0.031 (0.177)	32.119 (5.655)	0.031 (0.175)	32.378 (5.7)	0.031 (0.174)	32.552 (5.731)	0.031 (0.174)	32.643 (5.747)	0.031 (0.174)	32.726 (5.762)
	5 (12.7)	0.027 (0.154)	36.947 (6.505)	0.027 (0.153)	37.154 (6.541)	0.027 (0.152)	37.293 (6.566)	0.027 (0.152)	37.366 (6.578)	0.027 (0.152)	37.432 (6.59)
	6 (15.2)	0.024 (0.137)	41.331 (7.277)	0.024 (0.137)	41.56 (7.317)	0.024 (0.136)	41.713 (7.344)	0.024 (0.136)	41.794 (7.358)	0.024 (0.136)	41.867 (7.371)
32" (812.8mm)		0.19 pcs/ft <sup>2</sup> (bracket) 2.02 pcs/m <sup>2</sup> (bracket)		0.15 pcs/ft <sup>2</sup> (bracket) 1.64 pcs/m <sup>2</sup> (bracket)		0.13 pcs/ft <sup>2</sup> (bracket) 1.39 pcs/m <sup>2</sup> (bracket)		0.12 pcs/ft <sup>2</sup> (bracket) 1.26 pcs/m <sup>2</sup> (bracket)		0.11 pcs/ft <sup>2</sup> (bracket) 1.14 pcs/m <sup>2</sup> (bracket)	
		0.38 ft/ft <sup>2</sup> (rails) 1.23 m/m <sup>2</sup> (rails)									
	4 (10.2)	0.031 (0.174)	32.687 (5.755)	0.03 (0.173)	32.888 (5.79)	0.03 (0.172)	33.022 (5.814)	0.03 (0.172)	33.093 (5.826)	0.03 (0.171)	33.157 (5.837)
	5 (12.7)	0.027 (0.152)	37.384 (6.582)	0.027 (0.151)	37.543 (6.61)	0.027 (0.151)	37.65 (6.628)	0.027 (0.151)	37.705 (6.638)	0.026 (0.15)	37.756 (6.647)
	6 (15.2)	0.024 (0.136)	41.738 (7.348)	0.024 (0.136)	41.912 (7.379)	0.024 (0.135)	42.029 (7.399)	0.024 (0.135)	42.09 (7.41)	0.024 (0.135)	42.146 (7.42)
40" (1016mm)		0.15 pcs/ft <sup>2</sup> (bracket) 1.61 pcs/m <sup>2</sup> (bracket)		0.12 pcs/ft <sup>2</sup> (bracket) 1.31 pcs/m <sup>2</sup> (bracket)		0.1 pcs/ft <sup>2</sup> (bracket) 1.11 pcs/m <sup>2</sup> (bracket)		0.09 pcs/ft <sup>2</sup> (bracket) 1.01 pcs/m <sup>2</sup> (bracket)		0.08 pcs/ft <sup>2</sup> (bracket) 0.91 pcs/m <sup>2</sup> (bracket)	
		0.3 ft/ft <sup>2</sup> (rails) 0.98 m/m <sup>2</sup> (rails)									
	4 (10.2)	0.03 (0.172)	33.038 (5.817)	0.03 (0.171)	33.201 (5.845)	0.03 (0.171)	33.311 (5.865)	0.03 (0.17)	33.368 (5.875)	0.03 (0.17)	33.42 (5.884)
	5 (12.7)	0.027 (0.151)	37.652 (6.629)	0.026 (0.15)	37.781 (6.652)	0.026 (0.15)	37.867 (6.667)	0.026 (0.15)	37.912 (6.675)	0.026 (0.15)	37.953 (6.682)
	6 (15.2)	0.024 (0.135)	41.985 (7.392)	0.024 (0.135)	42.126 (7.417)	0.024 (0.135)	42.221 (7.433)	0.024 (0.134)	42.27 (7.442)	0.024 (0.134)	42.315 (7.45)

\*Between insulation thicknesses the values can be interpolated

# R-VALUE TABLES

## Fox VT Metal Studs (Insulated) 4" (101.6mm)

**Brackets:** Vertical thermal broken brackets (medium size)

**Base Material:** Metal studs (insulated)

Horizontal Stud to Stud Spacing	Exterior Insulation Thickness* in. (cm)	Vertical Bracket to Bracket Spacing									
		24" Vertical (609.6mm)		30" Vertical (762mm)		36" Vertical (914.4mm)		42" Vertical (1066.8mm)		48" Vertical (1219.2mm)	
		Effective U-Value BTU/h*ft <sup>2</sup> *°F (W/m <sup>2</sup> K)	Effective R-Value h*ft <sup>2</sup> *°F/ BTU (m <sup>2</sup> K/W)	Effective U-Value BTU/h*ft <sup>2</sup> *°F (W/m <sup>2</sup> K)	Effective R-Value h*ft <sup>2</sup> *°F/ BTU (m <sup>2</sup> K/W)	Effective U-Value BTU/h*ft <sup>2</sup> *°F (W/m <sup>2</sup> K)	Effective R-Value h*ft <sup>2</sup> *°F/ BTU (m <sup>2</sup> K/W)	Effective U-Value BTU/h*ft <sup>2</sup> *°F (W/m <sup>2</sup> K)	Effective R-Value h*ft <sup>2</sup> *°F/ BTU (m <sup>2</sup> K/W)	Effective U-Value BTU/h*ft <sup>2</sup> *°F (W/m <sup>2</sup> K)	Effective R-Value h*ft <sup>2</sup> *°F/ BTU (m <sup>2</sup> K/W)
16" (406.4mm)		0.38 pcs/ft <sup>2</sup> (bracket) 4.04 pcs/m <sup>2</sup> (bracket)		0.3 pcs/ft <sup>2</sup> (bracket) 3.28 pcs/m <sup>2</sup> (bracket)		0.26 pcs/ft <sup>2</sup> (bracket) 2.78 pcs/m <sup>2</sup> (bracket)		0.23 pcs/ft <sup>2</sup> (bracket) 2.52 pcs/m <sup>2</sup> (bracket)		0.21 pcs/ft <sup>2</sup> (bracket) 2.28 pcs/m <sup>2</sup> (bracket)	
		0.75 ft/ft <sup>2</sup> (rails) 2.46 m/m <sup>2</sup> (rails)									
	4 (10.2)	0.026 (0.15)	37.94 (6.68)	0.026 (0.148)	38.425 (6.765)	0.026 (0.147)	38.755 (6.823)	0.026 (0.146)	38.929 (6.854)	0.026 (0.145)	39.087 (6.882)
	5 (12.7)	0.023 (0.13)	43.782 (7.708)	0.023 (0.129)	44.116 (7.767)	0.023 (0.128)	44.341 (7.806)	0.022 (0.128)	44.459 (7.827)	0.022 (0.127)	44.566 (7.846)
	6 (15.2)	0.021 (0.117)	48.715 (8.577)	0.02 (0.116)	49.033 (8.633)	0.02 (0.115)	49.247 (8.67)	0.02 (0.115)	49.359 (8.69)	0.02 (0.115)	49.461 (8.708)
24" (609.6mm)		0.25 pcs/ft <sup>2</sup> (bracket) 2.69 pcs/m <sup>2</sup> (bracket)		0.2 pcs/ft <sup>2</sup> (bracket) 2.19 pcs/m <sup>2</sup> (bracket)		0.17 pcs/ft <sup>2</sup> (bracket) 1.85 pcs/m <sup>2</sup> (bracket)		0.16 pcs/ft <sup>2</sup> (bracket) 1.68 pcs/m <sup>2</sup> (bracket)		0.14 pcs/ft <sup>2</sup> (bracket) 1.52 pcs/m <sup>2</sup> (bracket)	
		0.5 ft/ft <sup>2</sup> (rails) 1.64 m/m <sup>2</sup> (rails)									
	4 (10.2)	0.025 (0.144)	39.454 (6.946)	0.025 (0.143)	39.802 (7.007)	0.025 (0.142)	40.037 (7.049)	0.025 (0.141)	40.161 (7.071)	0.025 (0.141)	40.273 (7.09)
	5 (12.7)	0.022 (0.127)	44.84 (7.894)	0.022 (0.126)	45.073 (7.935)	0.022 (0.126)	45.229 (7.963)	0.022 (0.125)	45.311 (7.977)	0.022 (0.125)	45.385 (7.99)
	6 (15.2)	0.02 (0.115)	49.566 (8.726)	0.02 (0.114)	49.785 (8.765)	0.02 (0.114)	49.932 (8.791)	0.02 (0.114)	50.009 (8.804)	0.02 (0.113)	50.078 (8.817)
32" (812.8mm)		0.19 pcs/ft <sup>2</sup> (bracket) 2.02 pcs/m <sup>2</sup> (bracket)		0.15 pcs/ft <sup>2</sup> (bracket) 1.64 pcs/m <sup>2</sup> (bracket)		0.13 pcs/ft <sup>2</sup> (bracket) 1.39 pcs/m <sup>2</sup> (bracket)		0.12 pcs/ft <sup>2</sup> (bracket) 1.26 pcs/m <sup>2</sup> (bracket)		0.11 pcs/ft <sup>2</sup> (bracket) 1.14 pcs/m <sup>2</sup> (bracket)	
		0.38 ft/ft <sup>2</sup> (rails) 1.23 m/m <sup>2</sup> (rails)									
	4 (10.2)	0.025 (0.141)	40.257 (7.087)	0.025 (0.14)	40.528 (7.135)	0.025 (0.14)	40.711 (7.167)	0.025 (0.139)	40.806 (7.184)	0.024 (0.139)	40.893 (7.199)
	5 (12.7)	0.022 (0.125)	45.388 (7.991)	0.022 (0.125)	45.567 (8.022)	0.022 (0.124)	45.687 (8.043)	0.022 (0.124)	45.75 (8.055)	0.022 (0.124)	45.806 (8.064)
	6 (15.2)	0.02 (0.114)	50.003 (8.803)	0.02 (0.113)	50.17 (8.833)	0.02 (0.113)	50.282 (8.852)	0.02 (0.113)	50.34 (8.863)	0.02 (0.113)	50.393 (8.872)
40" (1016mm)		0.15 pcs/ft <sup>2</sup> (bracket) 1.61 pcs/m <sup>2</sup> (bracket)		0.12 pcs/ft <sup>2</sup> (bracket) 1.31 pcs/m <sup>2</sup> (bracket)		0.1 pcs/ft <sup>2</sup> (bracket) 1.11 pcs/m <sup>2</sup> (bracket)		0.09 pcs/ft <sup>2</sup> (bracket) 1.01 pcs/m <sup>2</sup> (bracket)		0.08 pcs/ft <sup>2</sup> (bracket) 0.91 pcs/m <sup>2</sup> (bracket)	
		0.3 ft/ft <sup>2</sup> (rails) 0.98 m/m <sup>2</sup> (rails)									
	4 (10.2)	0.025 (0.139)	40.754 (7.175)	0.024 (0.139)	40.976 (7.214)	0.024 (0.138)	41.126 (7.24)	0.024 (0.138)	41.204 (7.254)	0.024 (0.138)	41.274 (7.267)
	5 (12.7)	0.022 (0.124)	45.724 (8.05)	0.022 (0.124)	45.869 (8.076)	0.022 (0.124)	45.966 (8.093)	0.022 (0.123)	46.017 (8.102)	0.022 (0.123)	46.063 (8.11)
	6 (15.2)	0.02 (0.113)	50.269 (8.85)	0.02 (0.113)	50.404 (8.874)	0.02 (0.112)	50.494 (8.89)	0.02 (0.112)	50.541 (8.898)	0.02 (0.112)	50.583 (8.906)

\*Between insulation thicknesses the values can be interpolated

# R-VALUE TABLES

## Fox VT Metal Studs (Insulated) 5" (127mm)

**Brackets:** Vertical thermal broken brackets (medium size)

**Base Material:** Metal studs (insulated)

Horizontal Stud to Stud Spacing	Exterior Insulation Thickness* in. (cm)	Vertical Bracket to Bracket Spacing									
		24" Vertical (609.6mm)		30" Vertical (762mm)		36" Vertical (914.4mm)		42" Vertical (1066.8mm)		48" Vertical (1219.2mm)	
		Effective U-Value BTU/h*ft <sup>2</sup> *°F (W/m <sup>2</sup> K)	Effective R-Value h*ft <sup>2</sup> *°F/ BTU (m <sup>2</sup> K/W)	Effective U-Value BTU/h*ft <sup>2</sup> *°F (W/m <sup>2</sup> K)	Effective R-Value h*ft <sup>2</sup> *°F/ BTU (m <sup>2</sup> K/W)	Effective U-Value BTU/h*ft <sup>2</sup> *°F (W/m <sup>2</sup> K)	Effective R-Value h*ft <sup>2</sup> *°F/ BTU (m <sup>2</sup> K/W)	Effective U-Value BTU/h*ft <sup>2</sup> *°F (W/m <sup>2</sup> K)	Effective R-Value h*ft <sup>2</sup> *°F/ BTU (m <sup>2</sup> K/W)	Effective U-Value BTU/h*ft <sup>2</sup> *°F (W/m <sup>2</sup> K)	Effective R-Value h*ft <sup>2</sup> *°F/ BTU (m <sup>2</sup> K/W)
16" (406.4mm)		0.38 pcs/ft <sup>2</sup> (bracket) 4.04 pcs/m <sup>2</sup> (bracket)		0.3 pcs/ft <sup>2</sup> (bracket) 3.28 pcs/m <sup>2</sup> (bracket)		0.26 pcs/ft <sup>2</sup> (bracket) 2.78 pcs/m <sup>2</sup> (bracket)		0.23 pcs/ft <sup>2</sup> (bracket) 2.52 pcs/m <sup>2</sup> (bracket)		0.21 pcs/ft <sup>2</sup> (bracket) 2.28 pcs/m <sup>2</sup> (bracket)	
		0.75 ft/ft <sup>2</sup> (rails) 2.46 m/m <sup>2</sup> (rails)									
	4 (10.2)	0.024 (0.138)	41.297 (7.271)	0.024 (0.136)	41.848 (7.368)	0.024 (0.135)	42.224 (7.434)	0.024 (0.134)	42.422 (7.469)	0.023 (0.133)	42.602 (7.5)
	5 (12.7)	0.021 (0.12)	47.446 (8.353)	0.021 (0.119)	47.823 (8.42)	0.021 (0.118)	48.078 (8.464)	0.021 (0.118)	48.211 (8.48)	0.021 (0.118)	48.333 (8.509)
	6 (15.2)	0.019 (0.108)	52.556 (9.253)	0.019 (0.107)	52.907 (9.315)	0.019 (0.107)	53.144 (9.356)	0.019 (0.107)	53.268 (9.378)	0.019 (0.106)	53.38 (9.398)
24" (609.6mm)		0.25 pcs/ft <sup>2</sup> (bracket) 2.69 pcs/m <sup>2</sup> (bracket)		0.2 pcs/ft <sup>2</sup> (bracket) 2.19 pcs/m <sup>2</sup> (bracket)		0.17 pcs/ft <sup>2</sup> (bracket) 1.85 pcs/m <sup>2</sup> (bracket)		0.16 pcs/ft <sup>2</sup> (bracket) 1.68 pcs/m <sup>2</sup> (bracket)		0.14 pcs/ft <sup>2</sup> (bracket) 1.52 pcs/m <sup>2</sup> (bracket)	
		0.5 ft/ft <sup>2</sup> (rails) 1.64 m/m <sup>2</sup> (rails)									
	4 (10.2)	0.023 (0.132)	43.052 (7.58)	0.023 (0.131)	43.45 (7.65)	0.023 (0.13)	43.719 (7.697)	0.023 (0.13)	43.861 (7.722)	0.023 (0.129)	43.989 (7.745)
	5 (12.7)	0.021 (0.117)	48.663 (8.567)	0.02 (0.116)	48.927 (8.614)	0.02 (0.116)	49.104 (8.645)	0.02 (0.115)	49.197 (8.661)	0.02 (0.115)	49.281 (8.676)
	6 (15.2)	0.019 (0.106)	53.514 (9.421)	0.019 (0.106)	53.756 (9.464)	0.019 (0.105)	53.919 (9.493)	0.019 (0.105)	54.004 (9.508)	0.018 (0.105)	54.081 (9.521)
32" (812.8mm)		0.19 pcs/ft <sup>2</sup> (bracket) 2.02 pcs/m <sup>2</sup> (bracket)		0.15 pcs/ft <sup>2</sup> (bracket) 1.64 pcs/m <sup>2</sup> (bracket)		0.13 pcs/ft <sup>2</sup> (bracket) 1.39 pcs/m <sup>2</sup> (bracket)		0.12 pcs/ft <sup>2</sup> (bracket) 1.26 pcs/m <sup>2</sup> (bracket)		0.11 pcs/ft <sup>2</sup> (bracket) 1.14 pcs/m <sup>2</sup> (bracket)	
		0.38 ft/ft <sup>2</sup> (rails) 1.23 m/m <sup>2</sup> (rails)									
	4 (10.2)	0.023 (0.129)	43.987 (7.744)	0.023 (0.128)	44.298 (7.799)	0.022 (0.128)	44.507 (7.836)	0.022 (0.127)	44.617 (7.855)	0.022 (0.127)	44.717 (7.873)
	5 (12.7)	0.02 (0.115)	49.295 (8.679)	0.02 (0.115)	49.498 (8.715)	0.02 (0.114)	49.634 (8.738)	0.02 (0.114)	49.705 (8.751)	0.02 (0.114)	49.77 (8.762)
	6 (15.2)	0.019 (0.105)	54.006 (9.508)	0.018 (0.105)	54.191 (9.541)	0.018 (0.105)	54.315 (9.562)	0.018 (0.104)	54.379 (9.574)	0.018 (0.104)	54.438 (9.584)
40" (1016mm)		0.15 pcs/ft <sup>2</sup> (bracket) 1.61 pcs/m <sup>2</sup> (bracket)		0.12 pcs/ft <sup>2</sup> (bracket) 1.31 pcs/m <sup>2</sup> (bracket)		0.1 pcs/ft <sup>2</sup> (bracket) 1.11 pcs/m <sup>2</sup> (bracket)		0.09 pcs/ft <sup>2</sup> (bracket) 1.01 pcs/m <sup>2</sup> (bracket)		0.08 pcs/ft <sup>2</sup> (bracket) 0.91 pcs/m <sup>2</sup> (bracket)	
		0.3 ft/ft <sup>2</sup> (rails) 0.98 m/m <sup>2</sup> (rails)									
	4 (10.2)	0.022 (0.127)	44.567 (7.846)	0.022 (0.127)	44.822 (7.891)	0.022 (0.126)	44.994 (7.921)	0.022 (0.126)	45.084 (7.937)	0.022 (0.126)	45.165 (7.952)
	5 (12.7)	0.02 (0.114)	49.683 (8.747)	0.02 (0.114)	49.848 (8.776)	0.02 (0.114)	49.958 (8.795)	0.02 (0.114)	50.015 (8.806)	0.02 (0.113)	50.067 (8.815)
	6 (15.2)	0.018 (0.105)	54.306 (9.561)	0.018 (0.104)	54.455 (9.587)	0.018 (0.104)	54.555 (9.605)	0.018 (0.104)	54.607 (9.614)	0.018 (0.104)	54.654 (9.622)

\*Between insulation thicknesses the values can be interpolated

# R-VALUE TABLES

## Fox VT Metal Studs (Insulated) 6" (152.4mm)

**Brackets:** Vertical thermal broken brackets (medium size)

**Base Material:** Metal studs (insulated)

Horizontal Stud to Stud Spacing	Exterior Insulation Thickness* in. (cm)	Vertical Bracket to Bracket Spacing									
		24" Vertical (609.6mm)		30" Vertical (762mm)		36" Vertical (914.4mm)		42" Vertical (1066.8mm)		48" Vertical (1219.2mm)	
		Effective U-Value BTU/h*ft <sup>2</sup> *°F (W/m <sup>2</sup> K)	Effective R-Value h*ft <sup>2</sup> *°F/ BTU (m <sup>2</sup> K/W)	Effective U-Value BTU/h*ft <sup>2</sup> *°F (W/m <sup>2</sup> K)	Effective R-Value h*ft <sup>2</sup> *°F/ BTU (m <sup>2</sup> K/W)	Effective U-Value BTU/h*ft <sup>2</sup> *°F (W/m <sup>2</sup> K)	Effective R-Value h*ft <sup>2</sup> *°F/ BTU (m <sup>2</sup> K/W)	Effective U-Value BTU/h*ft <sup>2</sup> *°F (W/m <sup>2</sup> K)	Effective R-Value h*ft <sup>2</sup> *°F/ BTU (m <sup>2</sup> K/W)	Effective U-Value BTU/h*ft <sup>2</sup> *°F (W/m <sup>2</sup> K)	Effective R-Value h*ft <sup>2</sup> *°F/ BTU (m <sup>2</sup> K/W)
16" (406.4mm)		0.38 pcs/ft <sup>2</sup> (bracket) 4.04 pcs/m <sup>2</sup> (bracket)		0.3 pcs/ft <sup>2</sup> (bracket) 3.28 pcs/m <sup>2</sup> (bracket)		0.26 pcs/ft <sup>2</sup> (bracket) 2.78 pcs/m <sup>2</sup> (bracket)		0.23 pcs/ft <sup>2</sup> (bracket) 2.52 pcs/m <sup>2</sup> (bracket)		0.21 pcs/ft <sup>2</sup> (bracket) 2.28 pcs/m <sup>2</sup> (bracket)	
		0.75 ft/ft <sup>2</sup> (rails) 2.46 m/m <sup>2</sup> (rails)									
	4 (10.2)	0.022 (0.127)	44.621 (7.856)	0.022 (0.126)	45.239 (7.965)	0.022 (0.124)	45.659 (8.039)	0.022 (0.124)	45.882 (8.078)	0.022 (0.123)	46.084 (8.113)
	5 (12.7)	0.02 (0.111)	51.091 (8.995)	0.019 (0.11)	51.511 (9.069)	0.019 (0.11)	51.795 (9.119)	0.019 (0.109)	51.944 (9.145)	0.019 (0.109)	52.079 (9.169)
	6 (15.2)	0.018 (0.101)	56.395 (9.929)	0.018 (0.1)	56.778 (9.996)	0.018 (0.1)	57.036 (10.042)	0.017 (0.099)	57.172 (10.065)	0.017 (0.099)	57.294 (10.087)
24" (609.6mm)		0.25 pcs/ft <sup>2</sup> (bracket) 2.69 pcs/m <sup>2</sup> (bracket)		0.2 pcs/ft <sup>2</sup> (bracket) 2.19 pcs/m <sup>2</sup> (bracket)		0.17 pcs/ft <sup>2</sup> (bracket) 1.85 pcs/m <sup>2</sup> (bracket)		0.16 pcs/ft <sup>2</sup> (bracket) 1.68 pcs/m <sup>2</sup> (bracket)		0.14 pcs/ft <sup>2</sup> (bracket) 1.52 pcs/m <sup>2</sup> (bracket)	
		0.5 ft/ft <sup>2</sup> (rails) 1.64 m/m <sup>2</sup> (rails)									
	4 (10.2)	0.021 (0.122)	46.626 (8.209)	0.021 (0.121)	47.074 (8.288)	0.021 (0.12)	47.376 (8.341)	0.021 (0.119)	47.536 (8.369)	0.021 (0.119)	47.68 (8.394)
	5 (12.7)	0.019 (0.108)	52.473 (9.238)	0.019 (0.108)	52.767 (9.29)	0.019 (0.107)	52.965 (9.325)	0.019 (0.107)	53.069 (9.343)	0.019 (0.107)	53.163 (9.36)
	6 (15.2)	0.017 (0.099)	57.46 (10.116)	0.017 (0.098)	57.725 (10.163)	0.017 (0.098)	57.902 (10.194)	0.017 (0.098)	57.995 (10.21)	0.017 (0.098)	58.079 (10.225)
32" (812.8mm)		0.19 pcs/ft <sup>2</sup> (bracket) 2.02 pcs/m <sup>2</sup> (bracket)		0.15 pcs/ft <sup>2</sup> (bracket) 1.64 pcs/m <sup>2</sup> (bracket)		0.13 pcs/ft <sup>2</sup> (bracket) 1.39 pcs/m <sup>2</sup> (bracket)		0.12 pcs/ft <sup>2</sup> (bracket) 1.26 pcs/m <sup>2</sup> (bracket)		0.11 pcs/ft <sup>2</sup> (bracket) 1.14 pcs/m <sup>2</sup> (bracket)	
		0.38 ft/ft <sup>2</sup> (rails) 1.23 m/m <sup>2</sup> (rails)									
	4 (10.2)	0.021 (0.119)	47.697 (8.397)	0.021 (0.118)	48.048 (8.459)	0.021 (0.118)	48.284 (8.501)	0.021 (0.117)	48.408 (8.523)	0.021 (0.117)	48.521 (8.542)
	5 (12.7)	0.019 (0.107)	53.192 (9.365)	0.019 (0.106)	53.419 (9.405)	0.019 (0.106)	53.571 (9.431)	0.019 (0.106)	53.65 (9.445)	0.019 (0.106)	53.722 (9.458)
	6 (15.2)	0.017 (0.098)	58.008 (10.213)	0.017 (0.098)	58.21 (10.248)	0.017 (0.097)	58.345 (10.272)	0.017 (0.097)	58.416 (10.285)	0.017 (0.097)	58.48 (10.296)
40" (1016mm)		0.15 pcs/ft <sup>2</sup> (bracket) 1.61 pcs/m <sup>2</sup> (bracket)		0.12 pcs/ft <sup>2</sup> (bracket) 1.31 pcs/m <sup>2</sup> (bracket)		0.1 pcs/ft <sup>2</sup> (bracket) 1.11 pcs/m <sup>2</sup> (bracket)		0.09 pcs/ft <sup>2</sup> (bracket) 1.01 pcs/m <sup>2</sup> (bracket)		0.08 pcs/ft <sup>2</sup> (bracket) 0.91 pcs/m <sup>2</sup> (bracket)	
		0.3 ft/ft <sup>2</sup> (rails) 0.98 m/m <sup>2</sup> (rails)									
	4 (10.2)	0.0207 (0.117)	48.3643 (8.515)	0.0206 (0.117)	48.6523 (8.566)	0.0205 (0.116)	48.8458 (8.6)	0.0204 (0.116)	48.9473 (8.617)	0.0204 (0.116)	49.0391 (8.634)
	5 (12.7)	0.0186 (0.106)	53.6328 (9.442)	0.0186 (0.106)	53.8171 (9.475)	0.0185 (0.105)	53.9405 (9.497)	0.0185 (0.105)	54.005 (9.508)	0.0185 (0.105)	54.0633 (9.518)
	6 (15.2)	0.0171 (0.097)	58.3416 (10.271)	0.0171 (0.097)	58.505 (10.3)	0.0171 (0.097)	58.6143 (10.319)	0.017 (0.097)	58.6714 (10.329)	0.017 (0.097)	58.723 (10.339)

\*Between insulation thicknesses the values can be interpolated

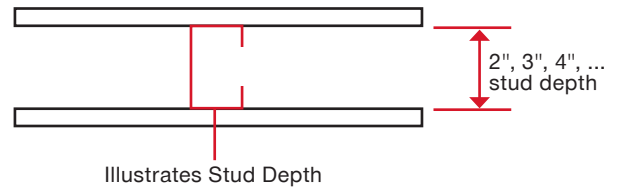


# R-VALUE TABLES

## Fox VT Metal Studs (Not-Insulated) 2" (50.8mm)

**Brackets:** Vertical thermal broken brackets (medium size)

**Base Material:** Metal studs (Not-Insulated)



Horizontal Stud to Stud Spacing	Exterior Insulation Thickness <sup>1</sup> in. (cm)	Vertical Bracket to Bracket Spacing									
		24" Vertical (609.6mm)		30" Vertical (762mm)		36" Vertical (914.4mm)		42" Vertical (1066.8mm)		48" Vertical (1219.2mm)	
		Effective U-Value BTU/h*ft <sup>2</sup> *°F (W/m <sup>2</sup> K)	Effective R-Value h*ft <sup>2</sup> *°F/ BTU (m <sup>2</sup> K/W)	Effective U-Value BTU/h*ft <sup>2</sup> *°F (W/m <sup>2</sup> K)	Effective R-Value h*ft <sup>2</sup> *°F/ BTU (m <sup>2</sup> K/W)	Effective U-Value BTU/h*ft <sup>2</sup> *°F (W/m <sup>2</sup> K)	Effective R-Value h*ft <sup>2</sup> *°F/ BTU (m <sup>2</sup> K/W)	Effective U-Value BTU/h*ft <sup>2</sup> *°F (W/m <sup>2</sup> K)	Effective R-Value h*ft <sup>2</sup> *°F/ BTU (m <sup>2</sup> K/W)	Effective U-Value BTU/h*ft <sup>2</sup> *°F (W/m <sup>2</sup> K)	Effective R-Value h*ft <sup>2</sup> *°F/ BTU (m <sup>2</sup> K/W)
16" (406.4mm)		0.38 pcs/ft <sup>2</sup> (bracket) 4.04 pcs/m <sup>2</sup> (bracket)		0.3 pcs/ft <sup>2</sup> (bracket) 3.28 pcs/m <sup>2</sup> (bracket)		0.26 pcs/ft <sup>2</sup> (bracket) 2.78 pcs/m <sup>2</sup> (bracket)		0.23 pcs/ft <sup>2</sup> (bracket) 2.52 pcs/m <sup>2</sup> (bracket)		0.21 pcs/ft <sup>2</sup> (bracket) 2.28 pcs/m <sup>2</sup> (bracket)	
		0.75 ft/ft <sup>2</sup> (rails) 2.46 m/m <sup>2</sup> (rails)									
	4 (10.2)	0.051 (0.29)	19.558 (3.443)	0.051 (0.288)	19.737 (3.475)	0.05 (0.286)	19.859 (3.496)	0.05 (0.285)	19.923 (3.507)	0.05 (0.284)	19.981 (3.518)
	5 (12.7)	0.043 (0.245)	23.223 (4.089)	0.043 (0.241)	23.521 (4.141)	0.042 (0.239)	23.723 (4.177)	0.042 (0.238)	23.83 (4.195)	0.042 (0.237)	23.927 (4.213)
	6 (15.2)	0.036 (0.204)	27.84 (4.901)	0.036 (0.202)	28.1 (4.947)	0.035 (0.201)	28.276 (4.978)	0.035 (0.2)	28.369 (4.994)	0.035 (0.2)	28.453 (5.009)
24" (609.6mm)		0.25 pcs/ft <sup>2</sup> (bracket) 2.69 pcs/m <sup>2</sup> (bracket)		0.2 pcs/ft <sup>2</sup> (bracket) 2.19 pcs/m <sup>2</sup> (bracket)		0.17 pcs/ft <sup>2</sup> (bracket) 1.85 pcs/m <sup>2</sup> (bracket)		0.16 pcs/ft <sup>2</sup> (bracket) 1.68 pcs/m <sup>2</sup> (bracket)		0.14 pcs/ft <sup>2</sup> (bracket) 1.52 pcs/m <sup>2</sup> (bracket)	
		0.5 ft/ft <sup>2</sup> (rails) 1.64 m/m <sup>2</sup> (rails)									
	4 (10.2)	0.05 (0.283)	20.047 (3.529)	0.05 (0.282)	20.172 (3.551)	0.049 (0.28)	20.257 (3.566)	0.049 (0.28)	20.301 (3.574)	0.049 (0.279)	20.341 (3.581)
	5 (12.7)	0.042 (0.238)	23.89 (4.206)	0.041 (0.236)	24.099 (4.243)	0.041 (0.234)	24.241 (4.268)	0.041 (0.234)	24.315 (4.281)	0.041 (0.233)	24.382 (4.293)
	6 (15.2)	0.035 (0.2)	28.4 (5)	0.035 (0.199)	28.58 (5.032)	0.035 (0.198)	28.701 (5.053)	0.035 (0.197)	28.764 (5.064)	0.035 (0.197)	28.822 (5.074)
32" (812.8mm)		0.19 pcs/ft <sup>2</sup> (bracket) 2.02 pcs/m <sup>2</sup> (bracket)		0.15 pcs/ft <sup>2</sup> (bracket) 1.64 pcs/m <sup>2</sup> (bracket)		0.13 pcs/ft <sup>2</sup> (bracket) 1.39 pcs/m <sup>2</sup> (bracket)		0.12 pcs/ft <sup>2</sup> (bracket) 1.26 pcs/m <sup>2</sup> (bracket)		0.11 pcs/ft <sup>2</sup> (bracket) 1.14 pcs/m <sup>2</sup> (bracket)	
		0.38 ft/ft <sup>2</sup> (rails) 1.23 m/m <sup>2</sup> (rails)									
	4 (10.2)	0.049 (0.28)	20.301 (3.574)	0.049 (0.278)	20.397 (3.591)	0.049 (0.278)	20.462 (3.602)	0.049 (0.277)	20.496 (3.608)	0.049 (0.277)	20.526 (3.614)
	5 (12.7)	0.041 (0.234)	24.238 (4.267)	0.041 (0.233)	24.399 (4.296)	0.041 (0.232)	24.508 (4.315)	0.041 (0.231)	24.565 (4.325)	0.041 (0.231)	24.616 (4.334)
	6 (15.2)	0.035 (0.198)	28.688 (5.051)	0.035 (0.197)	28.826 (5.075)	0.035 (0.196)	28.918 (5.091)	0.035 (0.196)	28.966 (5.1)	0.034 (0.196)	29.01 (5.107)
40" (1016mm)		0.15 pcs/ft <sup>2</sup> (bracket) 1.61 pcs/m <sup>2</sup> (bracket)		0.12 pcs/ft <sup>2</sup> (bracket) 1.31 pcs/m <sup>2</sup> (bracket)		0.1 pcs/ft <sup>2</sup> (bracket) 1.11 pcs/m <sup>2</sup> (bracket)		0.09 pcs/ft <sup>2</sup> (bracket) 1.01 pcs/m <sup>2</sup> (bracket)		0.08 pcs/ft <sup>2</sup> (bracket) 0.91 pcs/m <sup>2</sup> (bracket)	
		0.3 ft/ft <sup>2</sup> (rails) 0.98 m/m <sup>2</sup> (rails)									
	4 (10.2)	0.049 (0.278)	20.456 (3.601)	0.049 (0.277)	20.534 (3.615)	0.049 (0.276)	20.587 (3.624)	0.049 (0.276)	20.614 (3.629)	0.048 (0.275)	20.639 (3.634)
	5 (12.7)	0.041 (0.232)	24.452 (4.305)	0.041 (0.231)	24.583 (4.328)	0.041 (0.23)	24.671 (4.343)	0.04 (0.23)	24.717 (4.352)	0.04 (0.229)	24.759 (4.359)
	6 (15.2)	0.035 (0.197)	28.864 (5.082)	0.035 (0.196)	28.975 (5.101)	0.034 (0.196)	29.05 (5.114)	0.034 (0.195)	29.089 (5.121)	0.034 (0.195)	29.124 (5.127)

<sup>1</sup>Between insulation thicknesses the values can be interpolated

# R-VALUE TABLES

## Fox VT Metal Studs (Not-Insulated) 3" (76.2mm)

**Brackets:** Vertical thermal broken brackets (medium size)

**Base Material:** Metal studs (Not-Insulated)

Horizontal Stud to Stud Spacing	Exterior Insulation Thickness <sup>1</sup> in. (cm)	Vertical Bracket to Bracket Spacing									
		24" Vertical (609.6mm)		30" Vertical (762mm)		36" Vertical (914.4mm)		42" Vertical (1066.8mm)		48" Vertical (1219.2mm)	
		Effective U-Value BTU/h*ft <sup>2</sup> *°F (W/m <sup>2</sup> K)	Effective R-Value h*ft <sup>2</sup> *°F/ BTU (m <sup>2</sup> K/W)	Effective U-Value BTU/h*ft <sup>2</sup> *°F (W/m <sup>2</sup> K)	Effective R-Value h*ft <sup>2</sup> *°F/ BTU (m <sup>2</sup> K/W)	Effective U-Value BTU/h*ft <sup>2</sup> *°F (W/m <sup>2</sup> K)	Effective R-Value h*ft <sup>2</sup> *°F/ BTU (m <sup>2</sup> K/W)	Effective U-Value BTU/h*ft <sup>2</sup> *°F (W/m <sup>2</sup> K)	Effective R-Value h*ft <sup>2</sup> *°F/ BTU (m <sup>2</sup> K/W)	Effective U-Value BTU/h*ft <sup>2</sup> *°F (W/m <sup>2</sup> K)	Effective R-Value h*ft <sup>2</sup> *°F/ BTU (m <sup>2</sup> K/W)
16" (406.4mm)		0.38 pcs/ft <sup>2</sup> (bracket) 4.04 pcs/m <sup>2</sup> (bracket)		0.3 pcs/ft <sup>2</sup> (bracket) 3.28 pcs/m <sup>2</sup> (bracket)		0.26 pcs/ft <sup>2</sup> (bracket) 2.78 pcs/m <sup>2</sup> (bracket)		0.23 pcs/ft <sup>2</sup> (bracket) 2.52 pcs/m <sup>2</sup> (bracket)		0.21 pcs/ft <sup>2</sup> (bracket) 2.28 pcs/m <sup>2</sup> (bracket)	
		0.75 ft/ft <sup>2</sup> (rails) 2.46 m/m <sup>2</sup> (rails)									
	4 (10.2)	0.051 (0.287)	19.777 (3.482)	0.05 (0.285)	19.961 (3.514)	0.05 (0.283)	20.085 (3.536)	0.05 (0.282)	20.15 (3.548)	0.049 (0.281)	20.21 (3.558)
	5 (12.7)	0.043 (0.242)	23.476 (4.133)	0.042 (0.239)	23.773 (4.185)	0.042 (0.237)	23.975 (4.221)	0.042 (0.236)	24.082 (4.24)	0.041 (0.235)	24.179 (4.257)
	6 (15.2)	0.036 (0.202)	28.122 (4.951)	0.035 (0.2)	28.377 (4.996)	0.035 (0.199)	28.549 (5.026)	0.035 (0.198)	28.64 (5.042)	0.035 (0.198)	28.722 (5.057)
24" (609.6mm)		0.25 pcs/ft <sup>2</sup> (bracket) 2.69 pcs/m <sup>2</sup> (bracket)		0.2 pcs/ft <sup>2</sup> (bracket) 2.19 pcs/m <sup>2</sup> (bracket)		0.17 pcs/ft <sup>2</sup> (bracket) 1.85 pcs/m <sup>2</sup> (bracket)		0.16 pcs/ft <sup>2</sup> (bracket) 1.68 pcs/m <sup>2</sup> (bracket)		0.14 pcs/ft <sup>2</sup> (bracket) 1.52 pcs/m <sup>2</sup> (bracket)	
		0.5 ft/ft <sup>2</sup> (rails) 1.64 m/m <sup>2</sup> (rails)									
	4 (10.2)	0.049 (0.28)	20.277 (3.57)	0.049 (0.278)	20.406 (3.593)	0.049 (0.277)	20.492 (3.608)	0.049 (0.277)	20.537 (3.616)	0.049 (0.276)	20.578 (3.623)
	5 (12.7)	0.041 (0.235)	24.144 (4.251)	0.041 (0.233)	24.353 (4.287)	0.041 (0.232)	24.494 (4.312)	0.041 (0.231)	24.568 (4.325)	0.041 (0.231)	24.635 (4.337)
	6 (15.2)	0.035 (0.198)	28.674 (5.048)	0.035 (0.197)	28.85 (5.079)	0.035 (0.196)	28.968 (5.1)	0.034 (0.196)	29.03 (5.111)	0.034 (0.195)	29.087 (5.121)
32" (812.8mm)		0.19 pcs/ft <sup>2</sup> (bracket) 2.02 pcs/m <sup>2</sup> (bracket)		0.15 pcs/ft <sup>2</sup> (bracket) 1.64 pcs/m <sup>2</sup> (bracket)		0.13 pcs/ft <sup>2</sup> (bracket) 1.39 pcs/m <sup>2</sup> (bracket)		0.12 pcs/ft <sup>2</sup> (bracket) 1.26 pcs/m <sup>2</sup> (bracket)		0.11 pcs/ft <sup>2</sup> (bracket) 1.14 pcs/m <sup>2</sup> (bracket)	
		0.38 ft/ft <sup>2</sup> (rails) 1.23 m/m <sup>2</sup> (rails)									
	4 (10.2)	0.049 (0.277)	20.537 (3.616)	0.048 (0.275)	20.636 (3.633)	0.048 (0.274)	20.702 (3.645)	0.048 (0.274)	20.737 (3.651)	0.048 (0.273)	20.768 (3.656)
	5 (12.7)	0.041 (0.232)	24.493 (4.312)	0.041 (0.23)	24.654 (4.34)	0.04 (0.229)	24.762 (4.359)	0.04 (0.229)	24.818 (4.369)	0.04 (0.228)	24.87 (4.378)
	6 (15.2)	0.035 (0.196)	28.958 (5.098)	0.034 (0.195)	29.092 (5.122)	0.034 (0.195)	29.183 (5.138)	0.034 (0.194)	29.23 (5.146)	0.034 (0.194)	29.273 (5.154)
40" (1016mm)		0.15 pcs/ft <sup>2</sup> (bracket) 1.61 pcs/m <sup>2</sup> (bracket)		0.12 pcs/ft <sup>2</sup> (bracket) 1.31 pcs/m <sup>2</sup> (bracket)		0.1 pcs/ft <sup>2</sup> (bracket) 1.11 pcs/m <sup>2</sup> (bracket)		0.09 pcs/ft <sup>2</sup> (bracket) 1.01 pcs/m <sup>2</sup> (bracket)		0.08 pcs/ft <sup>2</sup> (bracket) 0.91 pcs/m <sup>2</sup> (bracket)	
		0.3 ft/ft <sup>2</sup> (rails) 0.98 m/m <sup>2</sup> (rails)									
	4 (10.2)	0.048 (0.274)	20.696 (3.644)	0.048 (0.273)	20.776 (3.658)	0.048 (0.273)	20.83 (3.667)	0.048 (0.272)	20.858 (3.672)	0.048 (0.272)	20.883 (3.677)
	5 (12.7)	0.04 (0.23)	24.707 (4.35)	0.04 (0.229)	24.837 (4.373)	0.04 (0.228)	24.925 (4.388)	0.04 (0.227)	24.971 (4.396)	0.04 (0.227)	25.013 (4.404)
	6 (15.2)	0.034 (0.195)	29.131 (5.129)	0.034 (0.194)	29.24 (5.148)	0.034 (0.194)	29.313 (5.161)	0.034 (0.194)	29.351 (5.167)	0.034 (0.193)	29.385 (5.173)

<sup>1</sup>Between insulation thicknesses the values can be interpolated

# R-VALUE TABLES

## Fox VT Metal Studs (Not-Insulated) 4" (101.6mm)

**Brackets:** Vertical thermal broken brackets (medium size)

**Base Material:** Metal studs (Not-Insulated)

Horizontal Stud to Stud Spacing	Exterior Insulation Thickness <sup>a</sup> in. (cm)	Vertical Bracket to Bracket Spacing									
		24" Vertical (609.6mm)		30" Vertical (762mm)		36" Vertical (914.4mm)		42" Vertical (1066.8mm)		48" Vertical (1219.2mm)	
		Effective U-Value BTU/h*ft <sup>2</sup> *°F (W/m <sup>2</sup> K)	Effective R-Value h*ft <sup>2</sup> *°F/ BTU (m <sup>2</sup> K/W)	Effective U-Value BTU/h*ft <sup>2</sup> *°F (W/m <sup>2</sup> K)	Effective R-Value h*ft <sup>2</sup> *°F/ BTU (m <sup>2</sup> K/W)	Effective U-Value BTU/h*ft <sup>2</sup> *°F (W/m <sup>2</sup> K)	Effective R-Value h*ft <sup>2</sup> *°F/ BTU (m <sup>2</sup> K/W)	Effective U-Value BTU/h*ft <sup>2</sup> *°F (W/m <sup>2</sup> K)	Effective R-Value h*ft <sup>2</sup> *°F/ BTU (m <sup>2</sup> K/W)	Effective U-Value BTU/h*ft <sup>2</sup> *°F (W/m <sup>2</sup> K)	Effective R-Value h*ft <sup>2</sup> *°F/ BTU (m <sup>2</sup> K/W)
16" (406.4mm)		0.38 pcs/ft <sup>2</sup> (bracket) 4.04 pcs/m <sup>2</sup> (bracket)		0.3 pcs/ft <sup>2</sup> (bracket) 3.28 pcs/m <sup>2</sup> (bracket)		0.26 pcs/ft <sup>2</sup> (bracket) 2.78 pcs/m <sup>2</sup> (bracket)		0.23 pcs/ft <sup>2</sup> (bracket) 2.52 pcs/m <sup>2</sup> (bracket)		0.21 pcs/ft <sup>2</sup> (bracket) 2.28 pcs/m <sup>2</sup> (bracket)	
		0.75 ft/ft <sup>2</sup> (rails) 2.46 m/m <sup>2</sup> (rails)									
	4 (10.2)	0.05 (0.285)	19.958 (3.514)	0.05 (0.282)	20.15 (3.548)	0.049 (0.28)	20.281 (3.571)	0.049 (0.279)	20.349 (3.583)	0.049 (0.278)	20.411 (3.594)
	5 (12.7)	0.042 (0.24)	23.682 (4.169)	0.042 (0.237)	23.984 (4.223)	0.041 (0.235)	24.189 (4.259)	0.041 (0.234)	24.298 (4.278)	0.041 (0.233)	24.396 (4.295)
	6 (15.2)	0.035 (0.2)	28.339 (4.989)	0.035 (0.199)	28.598 (5.035)	0.035 (0.197)	28.773 (5.066)	0.035 (0.197)	28.865 (5.082)	0.035 (0.196)	28.948 (5.096)
24" (609.6mm)		0.25 pcs/ft <sup>2</sup> (bracket) 2.69 pcs/m <sup>2</sup> (bracket)		0.2 pcs/ft <sup>2</sup> (bracket) 2.19 pcs/m <sup>2</sup> (bracket)		0.17 pcs/ft <sup>2</sup> (bracket) 1.85 pcs/m <sup>2</sup> (bracket)		0.16 pcs/ft <sup>2</sup> (bracket) 1.68 pcs/m <sup>2</sup> (bracket)		0.14 pcs/ft <sup>2</sup> (bracket) 1.52 pcs/m <sup>2</sup> (bracket)	
		0.5 ft/ft <sup>2</sup> (rails) 1.64 m/m <sup>2</sup> (rails)									
	4 (10.2)	0.049 (0.277)	20.477 (3.605)	0.049 (0.276)	20.612 (3.629)	0.048 (0.274)	20.703 (3.645)	0.048 (0.274)	20.75 (3.653)	0.048 (0.273)	20.793 (3.661)
	5 (12.7)	0.041 (0.233)	24.362 (4.289)	0.041 (0.231)	24.574 (4.326)	0.04 (0.23)	24.717 (4.352)	0.04 (0.229)	24.793 (4.365)	0.04 (0.228)	24.861 (4.377)
	6 (15.2)	0.035 (0.197)	28.899 (5.088)	0.034 (0.195)	29.078 (5.119)	0.034 (0.195)	29.198 (5.141)	0.034 (0.194)	29.262 (5.152)	0.034 (0.194)	29.319 (5.162)
32" (812.8mm)		0.19 pcs/ft <sup>2</sup> (bracket) 2.02 pcs/m <sup>2</sup> (bracket)		0.15 pcs/ft <sup>2</sup> (bracket) 1.64 pcs/m <sup>2</sup> (bracket)		0.13 pcs/ft <sup>2</sup> (bracket) 1.39 pcs/m <sup>2</sup> (bracket)		0.12 pcs/ft <sup>2</sup> (bracket) 1.26 pcs/m <sup>2</sup> (bracket)		0.11 pcs/ft <sup>2</sup> (bracket) 1.14 pcs/m <sup>2</sup> (bracket)	
		0.38 ft/ft <sup>2</sup> (rails) 1.23 m/m <sup>2</sup> (rails)									
	4 (10.2)	0.048 (0.274)	20.748 (3.653)	0.048 (0.272)	20.851 (3.671)	0.048 (0.272)	20.921 (3.683)	0.048 (0.271)	20.957 (3.69)	0.048 (0.271)	20.99 (3.695)
	5 (12.7)	0.04 (0.23)	24.716 (4.351)	0.04 (0.228)	24.88 (4.38)	0.04 (0.227)	24.99 (4.4)	0.04 (0.227)	25.048 (4.41)	0.04 (0.226)	25.1 (4.419)
	6 (15.2)	0.034 (0.195)	29.188 (5.139)	0.034 (0.194)	29.324 (5.163)	0.034 (0.193)	29.416 (5.179)	0.034 (0.193)	29.464 (5.187)	0.034 (0.192)	29.507 (5.195)
40" (1016mm)		0.15 pcs/ft <sup>2</sup> (bracket) 1.61 pcs/m <sup>2</sup> (bracket)		0.12 pcs/ft <sup>2</sup> (bracket) 1.31 pcs/m <sup>2</sup> (bracket)		0.1 pcs/ft <sup>2</sup> (bracket) 1.11 pcs/m <sup>2</sup> (bracket)		0.09 pcs/ft <sup>2</sup> (bracket) 1.01 pcs/m <sup>2</sup> (bracket)		0.08 pcs/ft <sup>2</sup> (bracket) 0.91 pcs/m <sup>2</sup> (bracket)	
		0.3 ft/ft <sup>2</sup> (rails) 0.98 m/m <sup>2</sup> (rails)									
	4 (10.2)	0.048 (0.272)	20.913 (3.682)	0.048 (0.271)	20.997 (3.697)	0.047 (0.27)	21.054 (3.707)	0.047 (0.269)	21.083 (3.712)	0.047 (0.269)	21.1 (3.716)
	5 (12.7)	0.04 (0.228)	24.934 (4.39)	0.04 (0.227)	25.067 (4.413)	0.04 (0.226)	25.157 (4.429)	0.04 (0.225)	25.203 (4.437)	0.04 (0.225)	25.246 (4.445)
	6 (15.2)	0.034 (0.193)	29.364 (5.17)	0.034 (0.193)	29.474 (5.189)	0.034 (0.192)	29.548 (5.202)	0.034 (0.192)	29.587 (5.209)	0.034 (0.192)	29.622 (5.215)

<sup>a</sup>Between insulation thicknesses the values can be interpolated

# R-VALUE TABLES

## Fox VT Metal Studs (Not-Insulated) 5" (127mm)

**Brackets:** Vertical thermal broken brackets (medium size)

**Base Material:** Metal studs (Not-Insulated)

Horizontal Stud to Stud Spacing	Exterior Insulation Thickness <sup>1</sup> in. (cm)	Vertical Bracket to Bracket Spacing									
		24" Vertical (609.6mm)		30" Vertical (762mm)		36" Vertical (914.4mm)		42" Vertical (1066.8mm)		48" Vertical (1219.2mm)	
		Effective U-Value BTU/h*ft <sup>2</sup> *°F (W/m <sup>2</sup> K)	Effective R-Value h*ft <sup>2</sup> *°F/ BTU (m <sup>2</sup> K/W)	Effective U-Value BTU/h*ft <sup>2</sup> *°F (W/m <sup>2</sup> K)	Effective R-Value h*ft <sup>2</sup> *°F/ BTU (m <sup>2</sup> K/W)	Effective U-Value BTU/h*ft <sup>2</sup> *°F (W/m <sup>2</sup> K)	Effective R-Value h*ft <sup>2</sup> *°F/ BTU (m <sup>2</sup> K/W)	Effective U-Value BTU/h*ft <sup>2</sup> *°F (W/m <sup>2</sup> K)	Effective R-Value h*ft <sup>2</sup> *°F/ BTU (m <sup>2</sup> K/W)	Effective U-Value BTU/h*ft <sup>2</sup> *°F (W/m <sup>2</sup> K)	Effective R-Value h*ft <sup>2</sup> *°F/ BTU (m <sup>2</sup> K/W)
16" (406.4mm)		0.38 pcs/ft <sup>2</sup> (bracket) 4.04 pcs/m <sup>2</sup> (bracket)		0.3 pcs/ft <sup>2</sup> (bracket) 3.28 pcs/m <sup>2</sup> (bracket)		0.26 pcs/ft <sup>2</sup> (bracket) 2.78 pcs/m <sup>2</sup> (bracket)		0.23 pcs/ft <sup>2</sup> (bracket) 2.52 pcs/m <sup>2</sup> (bracket)		0.21 pcs/ft <sup>2</sup> (bracket) 2.28 pcs/m <sup>2</sup> (bracket)	
		0.75 ft/ft <sup>2</sup> (rails) 2.46 m/m <sup>2</sup> (rails)									
	4 (10.2)	0.049 (0.281)	20.229 (3.561)	0.049 (0.278)	20.416 (3.594)	0.049 (0.277)	20.542 (3.617)	0.049 (0.276)	20.608 (3.628)	0.048 (0.275)	20.669 (3.639)
	5 (12.7)	0.042 (0.237)	23.973 (4.221)	0.041 (0.234)	24.267 (4.272)	0.041 (0.232)	24.466 (4.307)	0.041 (0.231)	24.572 (4.326)	0.041 (0.23)	24.668 (4.343)
	6 (15.2)	0.035 (0.198)	28.648 (5.044)	0.035 (0.197)	28.896 (5.087)	0.034 (0.195)	29.063 (5.117)	0.034 (0.195)	29.151 (5.132)	0.034 (0.194)	29.231 (5.146)
24" (609.6mm)		0.25 pcs/ft <sup>2</sup> (bracket) 2.69 pcs/m <sup>2</sup> (bracket)		0.2 pcs/ft <sup>2</sup> (bracket) 2.19 pcs/m <sup>2</sup> (bracket)		0.17 pcs/ft <sup>2</sup> (bracket) 1.85 pcs/m <sup>2</sup> (bracket)		0.16 pcs/ft <sup>2</sup> (bracket) 1.68 pcs/m <sup>2</sup> (bracket)		0.14 pcs/ft <sup>2</sup> (bracket) 1.52 pcs/m <sup>2</sup> (bracket)	
		0.5 ft/ft <sup>2</sup> (rails) 1.64 m/m <sup>2</sup> (rails)									
	4 (10.2)	0.048 (0.274)	20.743 (3.652)	0.048 (0.272)	20.873 (3.675)	0.048 (0.271)	20.961 (3.69)	0.048 (0.27)	21.007 (3.698)	0.048 (0.27)	21.049 (3.706)
	5 (12.7)	0.041 (0.231)	24.641 (4.338)	0.04 (0.229)	24.847 (4.375)	0.04 (0.227)	24.986 (4.399)	0.04 (0.227)	25.06 (4.412)	0.04 (0.226)	25.126 (4.424)
	6 (15.2)	0.034 (0.195)	29.19 (5.139)	0.034 (0.193)	29.361 (5.169)	0.034 (0.193)	29.476 (5.189)	0.034 (0.192)	29.536 (5.2)	0.034 (0.192)	29.591 (5.21)
32" (812.8mm)		0.19 pcs/ft <sup>2</sup> (bracket) 2.02 pcs/m <sup>2</sup> (bracket)		0.15 pcs/ft <sup>2</sup> (bracket) 1.64 pcs/m <sup>2</sup> (bracket)		0.13 pcs/ft <sup>2</sup> (bracket) 1.39 pcs/m <sup>2</sup> (bracket)		0.12 pcs/ft <sup>2</sup> (bracket) 1.26 pcs/m <sup>2</sup> (bracket)		0.11 pcs/ft <sup>2</sup> (bracket) 1.14 pcs/m <sup>2</sup> (bracket)	
		0.38 ft/ft <sup>2</sup> (rails) 1.23 m/m <sup>2</sup> (rails)									
	4 (10.2)	0.048 (0.27)	21.009 (3.699)	0.047 (0.269)	21.11 (3.716)	0.047 (0.268)	21.177 (3.728)	0.047 (0.268)	21.212 (3.735)	0.047 (0.267)	21.244 (3.74)
	5 (12.7)	0.04 (0.227)	24.989 (4.399)	0.04 (0.226)	25.148 (4.427)	0.04 (0.225)	25.255 (4.446)	0.04 (0.224)	25.311 (4.456)	0.039 (0.224)	25.362 (4.465)
	6 (15.2)	0.034 (0.193)	29.469 (5.188)	0.034 (0.192)	29.6 (5.211)	0.034 (0.191)	29.687 (5.227)	0.034 (0.191)	29.733 (5.235)	0.034 (0.191)	29.774 (5.242)
40" (1016mm)		0.15 pcs/ft <sup>2</sup> (bracket) 1.61 pcs/m <sup>2</sup> (bracket)		0.12 pcs/ft <sup>2</sup> (bracket) 1.31 pcs/m <sup>2</sup> (bracket)		0.1 pcs/ft <sup>2</sup> (bracket) 1.11 pcs/m <sup>2</sup> (bracket)		0.09 pcs/ft <sup>2</sup> (bracket) 1.01 pcs/m <sup>2</sup> (bracket)		0.08 pcs/ft <sup>2</sup> (bracket) 0.91 pcs/m <sup>2</sup> (bracket)	
		0.3 ft/ft <sup>2</sup> (rails) 0.98 m/m <sup>2</sup> (rails)									
	4 (10.2)	0.047 (0.268)	21.173 (3.728)	0.047 (0.267)	21.254 (3.742)	0.047 (0.267)	21.309 (3.752)	0.047 (0.266)	21.337 (3.757)	0.047 (0.266)	21.363 (3.761)
	5 (12.7)	0.04 (0.225)	25.203 (4.437)	0.039 (0.224)	25.332 (4.46)	0.039 (0.223)	25.419 (4.475)	0.039 (0.223)	25.464 (4.483)	0.039 (0.223)	25.505 (4.49)
	6 (15.2)	0.034 (0.192)	29.639 (5.218)	0.034 (0.191)	29.745 (5.237)	0.034 (0.191)	29.815 (5.249)	0.033 (0.19)	29.852 (5.256)	0.033 (0.19)	29.886 (5.262)

<sup>1</sup>Between insulation thicknesses the values can be interpolated

# R-VALUE TABLES

## Fox VT Metal Studs (Not-Insulated) 6" (152.4mm)

**Brackets:** Vertical thermal broken brackets (medium size)

**Base Material:** Metal studs (Not-Insulated)

Horizontal Stud to Stud Spacing	Exterior Insulation Thickness <sup>a</sup> in. (cm)	Vertical Bracket to Bracket Spacing									
		24" Vertical (609.6mm)		30" Vertical (762mm)		36" Vertical (914.4mm)		42" Vertical (1066.8mm)		48" Vertical (1219.2mm)	
		Effective U-Value BTU/h*ft <sup>2</sup> *°F (W/m <sup>2</sup> K)	Effective R-Value h*ft <sup>2</sup> *°F/ BTU (m <sup>2</sup> K/W)	Effective U-Value BTU/h*ft <sup>2</sup> *°F (W/m <sup>2</sup> K)	Effective R-Value h*ft <sup>2</sup> *°F/ BTU (m <sup>2</sup> K/W)	Effective U-Value BTU/h*ft <sup>2</sup> *°F (W/m <sup>2</sup> K)	Effective R-Value h*ft <sup>2</sup> *°F/ BTU (m <sup>2</sup> K/W)	Effective U-Value BTU/h*ft <sup>2</sup> *°F (W/m <sup>2</sup> K)	Effective R-Value h*ft <sup>2</sup> *°F/ BTU (m <sup>2</sup> K/W)	Effective U-Value BTU/h*ft <sup>2</sup> *°F (W/m <sup>2</sup> K)	Effective R-Value h*ft <sup>2</sup> *°F/ BTU (m <sup>2</sup> K/W)
16" (406.4mm)		0.38 pcs/ft <sup>2</sup> (bracket) 4.04 pcs/m <sup>2</sup> (bracket)		0.3 pcs/ft <sup>2</sup> (bracket) 3.28 pcs/m <sup>2</sup> (bracket)		0.26 pcs/ft <sup>2</sup> (bracket) 2.78 pcs/m <sup>2</sup> (bracket)		0.23 pcs/ft <sup>2</sup> (bracket) 2.52 pcs/m <sup>2</sup> (bracket)		0.21 pcs/ft <sup>2</sup> (bracket) 2.28 pcs/m <sup>2</sup> (bracket)	
		0.75 ft/ft <sup>2</sup> (rails) 2.46 m/m <sup>2</sup> (rails)									
	4 (10.2)	0.049 (0.277)	20.498 (3.609)	0.048 (0.275)	20.678 (3.64)	0.048 (0.273)	20.8 (3.662)	0.048 (0.272)	20.864 (3.673)	0.048 (0.271)	20.922 (3.683)
	5 (12.7)	0.041 (0.234)	24.262 (4.271)	0.041 (0.231)	24.547 (4.322)	0.04 (0.23)	24.741 (4.356)	0.04 (0.229)	24.843 (4.374)	0.04 (0.228)	24.936 (4.39)
	6 (15.2)	0.035 (0.196)	28.955 (5.098)	0.034 (0.195)	29.191 (5.139)	0.034 (0.194)	29.35 (5.167)	0.034 (0.193)	29.434 (5.182)	0.034 (0.192)	29.51 (5.195)
24" (609.6mm)		0.25 pcs/ft <sup>2</sup> (bracket) 2.69 pcs/m <sup>2</sup> (bracket)		0.2 pcs/ft <sup>2</sup> (bracket) 2.19 pcs/m <sup>2</sup> (bracket)		0.17 pcs/ft <sup>2</sup> (bracket) 1.85 pcs/m <sup>2</sup> (bracket)		0.16 pcs/ft <sup>2</sup> (bracket) 1.68 pcs/m <sup>2</sup> (bracket)		0.14 pcs/ft <sup>2</sup> (bracket) 1.52 pcs/m <sup>2</sup> (bracket)	
		0.5 ft/ft <sup>2</sup> (rails) 1.64 m/m <sup>2</sup> (rails)									
	4 (10.2)	0.048 (0.27)	21.004 (3.698)	0.047 (0.269)	21.13 (3.72)	0.047 (0.268)	21.215 (3.735)	0.047 (0.267)	21.259 (3.743)	0.047 (0.267)	21.299 (3.75)
	5 (12.7)	0.04 (0.228)	24.917 (4.387)	0.04 (0.226)	25.117 (4.422)	0.04 (0.225)	25.252 (4.446)	0.039 (0.224)	25.323 (4.458)	0.039 (0.224)	25.387 (4.469)
	6 (15.2)	0.034 (0.193)	29.478 (5.19)	0.034 (0.192)	29.641 (5.218)	0.034 (0.191)	29.75 (5.238)	0.034 (0.191)	29.807 (5.248)	0.033 (0.19)	29.859 (5.257)
32" (812.8mm)		0.19 pcs/ft <sup>2</sup> (bracket) 2.02 pcs/m <sup>2</sup> (bracket)		0.15 pcs/ft <sup>2</sup> (bracket) 1.64 pcs/m <sup>2</sup> (bracket)		0.13 pcs/ft <sup>2</sup> (bracket) 1.39 pcs/m <sup>2</sup> (bracket)		0.12 pcs/ft <sup>2</sup> (bracket) 1.26 pcs/m <sup>2</sup> (bracket)		0.11 pcs/ft <sup>2</sup> (bracket) 1.14 pcs/m <sup>2</sup> (bracket)	
		0.38 ft/ft <sup>2</sup> (rails) 1.23 m/m <sup>2</sup> (rails)									
	4 (10.2)	0.047 (0.267)	21.267 (3.744)	0.047 (0.266)	21.364 (3.761)	0.047 (0.265)	21.429 (3.773)	0.047 (0.265)	21.463 (3.779)	0.047 (0.264)	21.493 (3.784)
	5 (12.7)	0.04 (0.225)	25.258 (4.447)	0.039 (0.224)	25.412 (4.474)	0.039 (0.223)	25.515 (4.492)	0.039 (0.222)	25.569 (4.502)	0.039 (0.222)	25.618 (4.51)
	6 (15.2)	0.034 (0.191)	29.747 (5.237)	0.033 (0.19)	29.871 (5.259)	0.033 (0.19)	29.954 (5.274)	0.033 (0.189)	29.997 (5.281)	0.033 (0.189)	30.037 (5.288)
40" (1016mm)		0.15 pcs/ft <sup>2</sup> (bracket) 1.61 pcs/m <sup>2</sup> (bracket)		0.12 pcs/ft <sup>2</sup> (bracket) 1.31 pcs/m <sup>2</sup> (bracket)		0.1 pcs/ft <sup>2</sup> (bracket) 1.11 pcs/m <sup>2</sup> (bracket)		0.09 pcs/ft <sup>2</sup> (bracket) 1.01 pcs/m <sup>2</sup> (bracket)		0.08 pcs/ft <sup>2</sup> (bracket) 0.91 pcs/m <sup>2</sup> (bracket)	
		0.3 ft/ft <sup>2</sup> (rails) 0.98 m/m <sup>2</sup> (rails)									
	4 (10.2)	0.047 (0.265)	21.428 (3.773)	0.046 (0.264)	21.506 (3.786)	0.046 (0.263)	21.559 (3.796)	0.046 (0.263)	21.586 (3.8)	0.046 (0.263)	21.611 (3.805)
	5 (12.7)	0.039 (0.223)	25.467 (4.484)	0.039 (0.222)	25.592 (4.506)	0.039 (0.221)	25.676 (4.52)	0.039 (0.221)	25.72 (4.528)	0.039 (0.221)	25.76 (4.535)
	6 (15.2)	0.033 (0.19)	29.91 (5.266)	0.033 (0.189)	30.011 (5.284)	0.033 (0.189)	30.078 (5.295)	0.033 (0.189)	30.113 (5.302)	0.033 (0.188)	30.145 (5.307)

<sup>a</sup>Between insulation thicknesses the values can be interpolated

# R-VALUE TABLES

## Fox VTR CMU 12" (305mm) Hollow Bricks

**Brackets:** Vertical stainless steel brackets (medium size)

**Base Material:** CMU 12" (305mm) hollow bricks

Horizontal Stud to Stud Spacing	Exterior Insulation Thickness <sup>a</sup> in. (cm)	Vertical Bracket to Bracket Spacing									
		24" Vertical (609.6mm)		30" Vertical (762mm)		36" Vertical (914.4mm)		42" Vertical (1066.8mm)		48" Vertical (1219.2mm)	
		Effective U-Value BTU/h*ft <sup>2</sup> *°F (W/m <sup>2</sup> K)	Effective R-Value h*ft <sup>2</sup> *°F/ BTU (m <sup>2</sup> K/W)	Effective U-Value BTU/h*ft <sup>2</sup> *°F (W/m <sup>2</sup> K)	Effective R-Value h*ft <sup>2</sup> *°F/ BTU (m <sup>2</sup> K/W)	Effective U-Value BTU/h*ft <sup>2</sup> *°F (W/m <sup>2</sup> K)	Effective R-Value h*ft <sup>2</sup> *°F/ BTU (m <sup>2</sup> K/W)	Effective U-Value BTU/h*ft <sup>2</sup> *°F (W/m <sup>2</sup> K)	Effective R-Value h*ft <sup>2</sup> *°F/ BTU (m <sup>2</sup> K/W)	Effective U-Value BTU/h*ft <sup>2</sup> *°F (W/m <sup>2</sup> K)	Effective R-Value h*ft <sup>2</sup> *°F/ BTU (m <sup>2</sup> K/W)
16" (406.4mm)		0.38 pcs/ft <sup>2</sup> (bracket) 4.04 pcs/m <sup>2</sup> (bracket)		0.3 pcs/ft <sup>2</sup> (bracket) 3.28 pcs/m <sup>2</sup> (bracket)		0.26 pcs/ft <sup>2</sup> (bracket) 2.78 pcs/m <sup>2</sup> (bracket)		0.23 pcs/ft <sup>2</sup> (bracket) 2.52 pcs/m <sup>2</sup> (bracket)		0.21 pcs/ft <sup>2</sup> (bracket) 2.28 pcs/m <sup>2</sup> (bracket)	
		0.75 ft/ft <sup>2</sup> (rails) 2.46 m/m <sup>2</sup> (rails)									
	4 (10.2)	0.044 (0.25)	22.689 (3.995)	0.042 (0.239)	23.81 (4.192)	0.041 (0.231)	24.62 (4.334)	0.04 (0.227)	25.064 (4.413)	0.039 (0.223)	25.478 (4.486)
	5 (12.7)	0.038 (0.214)	26.486 (4.663)	0.036 (0.205)	27.737 (4.883)	0.035 (0.198)	28.637 (5.042)	0.034 (0.195)	29.13 (5.128)	0.034 (0.192)	29.588 (5.209)
	6 (15.2)	0.032 (0.184)	30.814 (5.425)	0.031 (0.177)	32.131 (5.657)	0.03 (0.172)	33.072 (5.823)	0.03 (0.169)	33.584 (5.913)	0.029 (0.167)	34.06 (5.996)
24" (609.6mm)		0.25 pcs/ft <sup>2</sup> (bracket) 2.69 pcs/m <sup>2</sup> (bracket)		0.2 pcs/ft <sup>2</sup> (bracket) 2.19 pcs/m <sup>2</sup> (bracket)		0.17 pcs/ft <sup>2</sup> (bracket) 1.85 pcs/m <sup>2</sup> (bracket)		0.16 pcs/ft <sup>2</sup> (bracket) 1.68 pcs/m <sup>2</sup> (bracket)		0.14 pcs/ft <sup>2</sup> (bracket) 1.52 pcs/m <sup>2</sup> (bracket)	
		0.5 ft/ft <sup>2</sup> (rails) 1.64 m/m <sup>2</sup> (rails)									
	4 (10.2)	0.04 (0.227)	25.025 (4.406)	0.039 (0.219)	25.922 (4.564)	0.038 (0.214)	26.556 (4.675)	0.037 (0.211)	26.899 (4.736)	0.037 (0.209)	27.216 (4.791)
	5 (12.7)	0.034 (0.196)	28.992 (5.104)	0.033 (0.189)	29.978 (5.278)	0.033 (0.185)	30.673 (5.4)	0.032 (0.183)	31.048 (5.466)	0.032 (0.181)	31.394 (5.527)
	6 (15.2)	0.03 (0.17)	33.369 (5.875)	0.029 (0.165)	34.386 (6.054)	0.028 (0.162)	35.098 (6.179)	0.028 (0.16)	35.481 (6.247)	0.028 (0.159)	35.834 (6.309)
32" (812.8mm)		0.19 pcs/ft <sup>2</sup> (bracket) 2.02 pcs/m <sup>2</sup> (bracket)		0.15 pcs/ft <sup>2</sup> (bracket) 1.64 pcs/m <sup>2</sup> (bracket)		0.13 pcs/ft <sup>2</sup> (bracket) 1.39 pcs/m <sup>2</sup> (bracket)		0.12 pcs/ft <sup>2</sup> (bracket) 1.26 pcs/m <sup>2</sup> (bracket)		0.11 pcs/ft <sup>2</sup> (bracket) 1.14 pcs/m <sup>2</sup> (bracket)	
		0.38 ft/ft <sup>2</sup> (rails) 1.23 m/m <sup>2</sup> (rails)									
	4 (10.2)	0.038 (0.215)	26.383 (4.645)	0.037 (0.209)	27.126 (4.776)	0.036 (0.205)	27.643 (4.867)	0.036 (0.203)	27.921 (4.916)	0.035 (0.202)	28.176 (4.961)
	5 (12.7)	0.033 (0.187)	30.431 (5.358)	0.032 (0.182)	31.241 (5.5)	0.031 (0.179)	31.804 (5.599)	0.031 (0.177)	32.105 (5.652)	0.031 (0.175)	32.382 (5.701)
	6 (15.2)	0.029 (0.163)	34.811 (6.129)	0.028 (0.159)	35.637 (6.274)	0.028 (0.157)	36.208 (6.375)	0.027 (0.156)	36.513 (6.428)	0.027 (0.154)	36.792 (6.477)
40" (1016mm)		0.15 pcs/ft <sup>2</sup> (bracket) 1.61 pcs/m <sup>2</sup> (bracket)		0.12 pcs/ft <sup>2</sup> (bracket) 1.31 pcs/m <sup>2</sup> (bracket)		0.1 pcs/ft <sup>2</sup> (bracket) 1.11 pcs/m <sup>2</sup> (bracket)		0.09 pcs/ft <sup>2</sup> (bracket) 1.01 pcs/m <sup>2</sup> (bracket)		0.08 pcs/ft <sup>2</sup> (bracket) 0.91 pcs/m <sup>2</sup> (bracket)	
		0.3 ft/ft <sup>2</sup> (rails) 0.98 m/m <sup>2</sup> (rails)									
	4 (10.2)	0.037 (0.208)	27.271 (4.801)	0.036 (0.204)	27.903 (4.912)	0.035 (0.2)	28.34 (4.989)	0.035 (0.199)	28.573 (5.03)	0.035 (0.197)	28.786 (5.068)
	5 (12.7)	0.032 (0.181)	31.366 (5.522)	0.031 (0.177)	32.05 (5.643)	0.031 (0.175)	32.523 (5.726)	0.031 (0.173)	32.775 (5.77)	0.03 (0.172)	33.005 (5.811)
	6 (15.2)	0.028 (0.159)	35.739 (6.292)	0.027 (0.156)	36.432 (6.414)	0.027 (0.154)	36.908 (6.498)	0.027 (0.153)	37.161 (6.542)	0.027 (0.152)	37.392 (6.583)

<sup>a</sup>Between insulation thicknesses the values can be interpolated

# R-VALUE TABLES

## Fox VTR CMU 12" (305mm) Grouted Blocks

**Brackets:** Vertical stainless steel brackets (medium size)

**Base Material:** CMU 12" (305mm) grouted blocks

Horizontal Stud to Stud Spacing	Exterior Insulation Thickness <sup>a</sup> in. (cm)	Vertical Bracket to Bracket Spacing									
		24" Vertical (609.6mm)		30" Vertical (762mm)		36" Vertical (914.4mm)		42" Vertical (1066.8mm)		48" Vertical (1219.2mm)	
		Effective U-Value BTU/h*ft <sup>2</sup> *°F (W/m <sup>2</sup> K)	Effective R-Value h*ft <sup>2</sup> *°F/ BTU (m <sup>2</sup> K/W)	Effective U-Value BTU/h*ft <sup>2</sup> *°F (W/m <sup>2</sup> K)	Effective R-Value h*ft <sup>2</sup> *°F/ BTU (m <sup>2</sup> K/W)	Effective U-Value BTU/h*ft <sup>2</sup> *°F (W/m <sup>2</sup> K)	Effective R-Value h*ft <sup>2</sup> *°F/ BTU (m <sup>2</sup> K/W)	Effective U-Value BTU/h*ft <sup>2</sup> *°F (W/m <sup>2</sup> K)	Effective R-Value h*ft <sup>2</sup> *°F/ BTU (m <sup>2</sup> K/W)	Effective U-Value BTU/h*ft <sup>2</sup> *°F (W/m <sup>2</sup> K)	Effective R-Value h*ft <sup>2</sup> *°F/ BTU (m <sup>2</sup> K/W)
16" (406.4mm)		0.38 pcs/ft <sup>2</sup> (bracket) 4.04 pcs/m <sup>2</sup> (bracket)		0.3 pcs/ft <sup>2</sup> (bracket) 3.28 pcs/m <sup>2</sup> (bracket)		0.26 pcs/ft <sup>2</sup> (bracket) 2.78 pcs/m <sup>2</sup> (bracket)		0.23 pcs/ft <sup>2</sup> (bracket) 2.52 pcs/m <sup>2</sup> (bracket)		0.21 pcs/ft <sup>2</sup> (bracket) 2.28 pcs/m <sup>2</sup> (bracket)	
		0.75 ft/ft <sup>2</sup> (rails) 2.46 m/m <sup>2</sup> (rails)									
	4 (10.2)	0.044 (0.252)	22.541 (3.969)	0.042 (0.24)	23.648 (4.163)	0.041 (0.232)	24.446 (4.304)	0.04 (0.228)	24.884 (4.381)	0.04 (0.225)	25.292 (4.453)
	5 (12.7)	0.038 (0.216)	26.33 (4.636)	0.036 (0.206)	27.566 (4.853)	0.035 (0.2)	28.455 (5.01)	0.035 (0.196)	28.941 (5.095)	0.034 (0.193)	29.394 (5.175)
	6 (15.2)	0.033 (0.185)	30.645 (5.395)	0.031 (0.178)	31.948 (5.625)	0.03 (0.173)	32.878 (5.788)	0.03 (0.17)	33.384 (5.877)	0.03 (0.168)	33.854 (5.96)
24" (609.6mm)		0.25 pcs/ft <sup>2</sup> (bracket) 2.69 pcs/m <sup>2</sup> (bracket)		0.2 pcs/ft <sup>2</sup> (bracket) 2.19 pcs/m <sup>2</sup> (bracket)		0.17 pcs/ft <sup>2</sup> (bracket) 1.85 pcs/m <sup>2</sup> (bracket)		0.16 pcs/ft <sup>2</sup> (bracket) 1.68 pcs/m <sup>2</sup> (bracket)		0.14 pcs/ft <sup>2</sup> (bracket) 1.52 pcs/m <sup>2</sup> (bracket)	
		0.5 ft/ft <sup>2</sup> (rails) 1.64 m/m <sup>2</sup> (rails)									
	4 (10.2)	0.04 (0.229)	24.845 (4.374)	0.039 (0.221)	25.73 (4.53)	0.038 (0.216)	26.354 (4.64)	0.037 (0.213)	26.692 (4.699)	0.037 (0.21)	27.003 (4.754)
	5 (12.7)	0.035 (0.197)	28.805 (5.071)	0.034 (0.191)	29.778 (5.243)	0.033 (0.186)	30.464 (5.363)	0.032 (0.184)	30.834 (5.428)	0.032 (0.182)	31.175 (5.488)
	6 (15.2)	0.03 (0.171)	33.171 (5.84)	0.029 (0.166)	34.176 (6.017)	0.029 (0.163)	34.88 (6.141)	0.028 (0.161)	35.258 (6.207)	0.028 (0.16)	35.606 (6.269)
32" (812.8mm)		0.19 pcs/ft <sup>2</sup> (bracket) 2.02 pcs/m <sup>2</sup> (bracket)		0.15 pcs/ft <sup>2</sup> (bracket) 1.64 pcs/m <sup>2</sup> (bracket)		0.13 pcs/ft <sup>2</sup> (bracket) 1.39 pcs/m <sup>2</sup> (bracket)		0.12 pcs/ft <sup>2</sup> (bracket) 1.26 pcs/m <sup>2</sup> (bracket)		0.11 pcs/ft <sup>2</sup> (bracket) 1.14 pcs/m <sup>2</sup> (bracket)	
		0.38 ft/ft <sup>2</sup> (rails) 1.23 m/m <sup>2</sup> (rails)									
	4 (10.2)	0.038 (0.217)	26.184 (4.61)	0.037 (0.211)	26.915 (4.739)	0.036 (0.207)	27.425 (4.828)	0.036 (0.205)	27.698 (4.876)	0.036 (0.203)	27.949 (4.921)
	5 (12.7)	0.033 (0.188)	30.225 (5.321)	0.032 (0.183)	31.024 (5.462)	0.032 (0.18)	31.579 (5.56)	0.031 (0.178)	31.876 (5.612)	0.031 (0.177)	32.149 (5.66)
	6 (15.2)	0.029 (0.164)	34.596 (6.091)	0.028 (0.16)	35.411 (6.234)	0.028 (0.158)	35.975 (6.334)	0.028 (0.157)	36.276 (6.387)	0.027 (0.155)	36.552 (6.435)
40" (1016mm)		0.15 pcs/ft <sup>2</sup> (bracket) 1.61 pcs/m <sup>2</sup> (bracket)		0.12 pcs/ft <sup>2</sup> (bracket) 1.31 pcs/m <sup>2</sup> (bracket)		0.1 pcs/ft <sup>2</sup> (bracket) 1.11 pcs/m <sup>2</sup> (bracket)		0.09 pcs/ft <sup>2</sup> (bracket) 1.01 pcs/m <sup>2</sup> (bracket)		0.08 pcs/ft <sup>2</sup> (bracket) 0.91 pcs/m <sup>2</sup> (bracket)	
		0.3 ft/ft <sup>2</sup> (rails) 0.98 m/m <sup>2</sup> (rails)									
	4 (10.2)	0.037 (0.21)	27.058 (4.764)	0.036 (0.205)	27.68 (4.873)	0.036 (0.202)	28.11 (4.949)	0.035 (0.2)	28.339 (4.989)	0.035 (0.199)	28.549 (5.026)
	5 (12.7)	0.032 (0.182)	31.147 (5.484)	0.031 (0.178)	31.822 (5.602)	0.031 (0.176)	32.288 (5.684)	0.031 (0.175)	32.536 (5.728)	0.031 (0.173)	32.763 (5.768)
	6 (15.2)	0.028 (0.16)	35.512 (6.252)	0.028 (0.157)	36.196 (6.373)	0.027 (0.155)	36.666 (6.455)	0.027 (0.154)	36.916 (6.499)	0.027 (0.153)	37.144 (6.539)

<sup>a</sup>Between insulation thicknesses the values can be interpolated

# R-VALUE TABLES

## Fox VTR CMU 12" (305mm) Grouted Polyurethane Foamed in Place

**Brackets:** Vertical stainless steel brackets (medium size)

**Base Material:** CMU 12" (305mm) grouted polyurethane foamed in place

Horizontal Stud to Stud Spacing	Exterior Insulation Thickness* in. (cm)	Vertical Bracket to Bracket Spacing									
		24" Vertical (609.6mm)		30" Vertical (762mm)		36" Vertical (914.4mm)		42" Vertical (1066.8mm)		48" Vertical (1219.2mm)	
		Effective U-Value BTU/h*ft <sup>2</sup> *°F (W/m <sup>2</sup> K)	Effective R-Value h*ft <sup>2</sup> *°F/ BTU (m <sup>2</sup> K/W)	Effective U-Value BTU/h*ft <sup>2</sup> *°F (W/m <sup>2</sup> K)	Effective R-Value h*ft <sup>2</sup> *°F/ BTU (m <sup>2</sup> K/W)	Effective U-Value BTU/h*ft <sup>2</sup> *°F (W/m <sup>2</sup> K)	Effective R-Value h*ft <sup>2</sup> *°F/ BTU (m <sup>2</sup> K/W)	Effective U-Value BTU/h*ft <sup>2</sup> *°F (W/m <sup>2</sup> K)	Effective R-Value h*ft <sup>2</sup> *°F/ BTU (m <sup>2</sup> K/W)	Effective U-Value BTU/h*ft <sup>2</sup> *°F (W/m <sup>2</sup> K)	Effective R-Value h*ft <sup>2</sup> *°F/ BTU (m <sup>2</sup> K/W)
16" (406.4mm)		0.38 pcs/ft <sup>2</sup> (bracket) 4.04 pcs/m <sup>2</sup> (bracket)		0.3 pcs/ft <sup>2</sup> (bracket) 3.28 pcs/m <sup>2</sup> (bracket)		0.26 pcs/ft <sup>2</sup> (bracket) 2.78 pcs/m <sup>2</sup> (bracket)		0.23 pcs/ft <sup>2</sup> (bracket) 2.52 pcs/m <sup>2</sup> (bracket)		0.21 pcs/ft <sup>2</sup> (bracket) 2.28 pcs/m <sup>2</sup> (bracket)	
		0.75 ft/ft <sup>2</sup> (rails) 2.46 m/m <sup>2</sup> (rails)									
	4 (10.2)	0.028 (0.158)	35.846 (6.311)	0.026 (0.147)	38.726 (6.818)	0.024 (0.139)	40.915 (7.203)	0.024 (0.135)	42.156 (7.422)	0.023 (0.131)	43.341 (7.63)
	5 (12.7)	0.024 (0.138)	41.015 (7.221)	0.023 (0.129)	44.095 (7.763)	0.022 (0.122)	46.414 (8.171)	0.021 (0.119)	47.721 (8.402)	0.02 (0.116)	48.965 (8.621)
6 (15.2)	0.021 (0.12)	47.183 (8.307)	0.02 (0.113)	50.343 (8.863)	0.019 (0.108)	52.691 (9.277)	0.019 (0.105)	54.004 (9.508)	0.018 (0.103)	55.244 (9.726)	
24" (609.6mm)		0.25 pcs/ft <sup>2</sup> (bracket) 2.69 pcs/m <sup>2</sup> (bracket)		0.2 pcs/ft <sup>2</sup> (bracket) 2.19 pcs/m <sup>2</sup> (bracket)		0.17 pcs/ft <sup>2</sup> (bracket) 1.85 pcs/m <sup>2</sup> (bracket)		0.16 pcs/ft <sup>2</sup> (bracket) 1.68 pcs/m <sup>2</sup> (bracket)		0.14 pcs/ft <sup>2</sup> (bracket) 1.52 pcs/m <sup>2</sup> (bracket)	
		0.5 ft/ft <sup>2</sup> (rails) 1.64 m/m <sup>2</sup> (rails)									
	4 (10.2)	0.024 (0.135)	42.046 (7.403)	0.022 (0.127)	44.643 (7.86)	0.021 (0.122)	46.557 (8.197)	0.021 (0.119)	47.62 (8.384)	0.021 (0.117)	48.622 (8.56)
	5 (12.7)	0.021 (0.12)	47.352 (8.337)	0.02 (0.114)	50.042 (9.447)	0.019 (0.109)	52.009 (9.156)	0.019 (0.107)	53.096 (9.348)	0.018 (0.105)	54.115 (9.527)
6 (15.2)	0.019 (0.106)	53.448 (9.41)	0.018 (0.101)	56.107 (9.878)	0.017 (0.098)	58.029 (10.216)	0.017 (0.096)	59.083 (10.402)	0.017 (0.095)	60.067 (10.575)	
32" (812.8mm)		0.19 pcs/ft <sup>2</sup> (bracket) 2.02 pcs/m <sup>2</sup> (bracket)		0.15 pcs/ft <sup>2</sup> (bracket) 1.64 pcs/m <sup>2</sup> (bracket)		0.13 pcs/ft <sup>2</sup> (bracket) 1.39 pcs/m <sup>2</sup> (bracket)		0.12 pcs/ft <sup>2</sup> (bracket) 1.26 pcs/m <sup>2</sup> (bracket)		0.11 pcs/ft <sup>2</sup> (bracket) 1.14 pcs/m <sup>2</sup> (bracket)	
		0.38 ft/ft <sup>2</sup> (rails) 1.23 m/m <sup>2</sup> (rails)									
	4 (10.2)	0.022 (0.123)	46.027 (8.103)	0.021 (0.118)	48.336 (8.51)	0.02 (0.114)	50.005 (8.804)	0.02 (0.112)	50.921 (8.965)	0.019 (0.11)	51.776 (9.116)
	5 (12.7)	0.019 (0.111)	51.317 (9.035)	0.019 (0.106)	53.662 (9.447)	0.018 (0.103)	55.344 (9.744)	0.018 (0.101)	56.264 (9.906)	0.018 (0.099)	57.119 (10.056)
6 (15.2)	0.017 (0.099)	57.249 (10.079)	0.017 (0.095)	59.515 (10.478)	0.016 (0.093)	61.125 (10.761)	0.016 (0.092)	61.999 (10.915)	0.016 (0.09)	62.809 (11.058)	
40" (1016mm)		0.15 pcs/ft <sup>2</sup> (bracket) 1.61 pcs/m <sup>2</sup> (bracket)		0.12 pcs/ft <sup>2</sup> (bracket) 1.31 pcs/m <sup>2</sup> (bracket)		0.1 pcs/ft <sup>2</sup> (bracket) 1.11 pcs/m <sup>2</sup> (bracket)		0.09 pcs/ft <sup>2</sup> (bracket) 1.01 pcs/m <sup>2</sup> (bracket)		0.08 pcs/ft <sup>2</sup> (bracket) 0.91 pcs/m <sup>2</sup> (bracket)	
		0.3 ft/ft <sup>2</sup> (rails) 0.98 m/m <sup>2</sup> (rails)									
	4 (10.2)	0.02 (0.116)	48.799 (8.591)	0.02 (0.112)	50.86 (8.954)	0.019 (0.109)	52.33 (9.213)	0.019 (0.107)	53.13 (9.354)	0.019 (0.105)	53.873 (9.485)
	5 (12.7)	0.019 (0.105)	54.031 (9.513)	0.018 (0.101)	56.096 (9.876)	0.017 (0.099)	57.559 (10.134)	0.017 (0.097)	58.353 (10.273)	0.017 (0.096)	59.087 (10.403)
6 (15.2)	0.017 (0.095)	59.8 (10.528)	0.016 (0.092)	61.766 (10.874)	0.016 (0.09)	63.147 (11.117)	0.016 (0.089)	63.891 (11.248)	0.015 (0.088)	64.578 (11.369)	

\*Between insulation thicknesses the values can be interpolated



# R-VALUE TABLES

## Fox VTR Concrete 2" (50.8mm)

**Brackets:** Vertical stainless steel brackets (medium size)

**Base Material:** Concrete 2" (50.8mm)

Horizontal Stud to Stud Spacing	Exterior Insulation Thickness <sup>a</sup> in. (cm)	Vertical Bracket to Bracket Spacing									
		24" Vertical (609.6mm)		30" Vertical (762mm)		36" Vertical (914.4mm)		42" Vertical (1066.8mm)		48" Vertical (1219.2mm)	
		Effective U-Value BTU/h*ft <sup>2</sup> *°F (W/m <sup>2</sup> K)	Effective R-Value h*ft <sup>2</sup> *°F/ BTU (m <sup>2</sup> K/W)	Effective U-Value BTU/h*ft <sup>2</sup> *°F (W/m <sup>2</sup> K)	Effective R-Value h*ft <sup>2</sup> *°F/ BTU (m <sup>2</sup> K/W)	Effective U-Value BTU/h*ft <sup>2</sup> *°F (W/m <sup>2</sup> K)	Effective R-Value h*ft <sup>2</sup> *°F/ BTU (m <sup>2</sup> K/W)	Effective U-Value BTU/h*ft <sup>2</sup> *°F (W/m <sup>2</sup> K)	Effective R-Value h*ft <sup>2</sup> *°F/ BTU (m <sup>2</sup> K/W)	Effective U-Value BTU/h*ft <sup>2</sup> *°F (W/m <sup>2</sup> K)	Effective R-Value h*ft <sup>2</sup> *°F/ BTU (m <sup>2</sup> K/W)
16" (406.4mm)		0.38 pcs/ft <sup>2</sup> (bracket) 4.04 pcs/m <sup>2</sup> (bracket)		0.3 pcs/ft <sup>2</sup> (bracket) 3.28 pcs/m <sup>2</sup> (bracket)		0.26 pcs/ft <sup>2</sup> (bracket) 2.78 pcs/m <sup>2</sup> (bracket)		0.23 pcs/ft <sup>2</sup> (bracket) 2.52 pcs/m <sup>2</sup> (bracket)		0.21 pcs/ft <sup>2</sup> (bracket) 2.28 pcs/m <sup>2</sup> (bracket)	
		0.75 ft/ft <sup>2</sup> (rails) 2.46 m/m <sup>2</sup> (rails)									
	4 (10.2)	0.074 (0.423)	13.431 (2.365)	0.071 (0.402)	14.119 (2.486)	0.068 (0.389)	14.618 (2.574)	0.067 (0.381)	14.892 (2.622)	0.066 (0.375)	15.148 (2.667)
	5 (12.7)	0.059 (0.335)	16.952 (2.984)	0.056 (0.32)	17.769 (3.128)	0.054 (0.309)	18.358 (3.232)	0.054 (0.304)	18.681 (3.289)	0.053 (0.299)	18.982 (3.342)
	6 (15.2)	0.047 (0.266)	21.333 (3.756)	0.045 (0.256)	22.183 (3.905)	0.044 (0.249)	22.787 (4.012)	0.043 (0.246)	23.115 (4.07)	0.043 (0.243)	23.419 (4.123)
24" (609.6mm)		0.25 pcs/ft <sup>2</sup> (bracket) 2.69 pcs/m <sup>2</sup> (bracket)		0.2 pcs/ft <sup>2</sup> (bracket) 2.19 pcs/m <sup>2</sup> (bracket)		0.17 pcs/ft <sup>2</sup> (bracket) 1.85 pcs/m <sup>2</sup> (bracket)		0.16 pcs/ft <sup>2</sup> (bracket) 1.68 pcs/m <sup>2</sup> (bracket)		0.14 pcs/ft <sup>2</sup> (bracket) 1.52 pcs/m <sup>2</sup> (bracket)	
		0.5 ft/ft <sup>2</sup> (rails) 1.64 m/m <sup>2</sup> (rails)									
	4 (10.2)	0.068 (0.384)	14.799 (2.605)	0.065 (0.37)	15.349 (2.702)	0.064 (0.361)	15.738 (2.771)	0.063 (0.356)	15.949 (2.808)	0.062 (0.352)	16.144 (2.842)
	5 (12.7)	0.054 (0.306)	18.543 (3.265)	0.052 (0.296)	19.187 (3.378)	0.051 (0.289)	19.641 (3.458)	0.05 (0.286)	19.886 (3.501)	0.05 (0.282)	20.112 (3.541)
	6 (15.2)	0.044 (0.247)	22.955 (4.041)	0.042 (0.241)	23.604 (4.156)	0.042 (0.236)	24.057 (4.235)	0.041 (0.234)	24.299 (4.278)	0.041 (0.232)	24.522 (4.317)
32" (812.8mm)		0.19 pcs/ft <sup>2</sup> (bracket) 2.02 pcs/m <sup>2</sup> (bracket)		0.15 pcs/ft <sup>2</sup> (bracket) 1.64 pcs/m <sup>2</sup> (bracket)		0.13 pcs/ft <sup>2</sup> (bracket) 1.39 pcs/m <sup>2</sup> (bracket)		0.12 pcs/ft <sup>2</sup> (bracket) 1.26 pcs/m <sup>2</sup> (bracket)		0.11 pcs/ft <sup>2</sup> (bracket) 1.14 pcs/m <sup>2</sup> (bracket)	
		0.38 ft/ft <sup>2</sup> (rails) 1.23 m/m <sup>2</sup> (rails)									
	4 (10.2)	0.0641 (0.364)	15.5937 (2.745)	0.0623 (0.354)	16.0481 (2.825)	0.0611 (0.347)	16.3655 (2.881)	0.0605 (0.343)	16.5359 (2.911)	0.0599 (0.34)	16.6926 (2.939)
	5 (12.7)	0.0514 (0.292)	19.4568 (3.425)	0.05 (0.284)	19.9844 (3.518)	0.0491 (0.279)	20.3517 (3.583)	0.0487 (0.276)	20.5485 (3.618)	0.0482 (0.274)	20.7292 (3.649)
	6 (15.2)	0.0419 (0.238)	23.8629 (4.201)	0.041 (0.233)	24.3855 (4.293)	0.0404 (0.23)	24.7461 (4.357)	0.0401 (0.228)	24.9382 (4.391)	0.0398 (0.226)	25.114 (4.421)
40" (1016mm)		0.15 pcs/ft <sup>2</sup> (bracket) 1.61 pcs/m <sup>2</sup> (bracket)		0.12 pcs/ft <sup>2</sup> (bracket) 1.31 pcs/m <sup>2</sup> (bracket)		0.1 pcs/ft <sup>2</sup> (bracket) 1.11 pcs/m <sup>2</sup> (bracket)		0.09 pcs/ft <sup>2</sup> (bracket) 1.01 pcs/m <sup>2</sup> (bracket)		0.08 pcs/ft <sup>2</sup> (bracket) 0.91 pcs/m <sup>2</sup> (bracket)	
		0.3 ft/ft <sup>2</sup> (rails) 0.98 m/m <sup>2</sup> (rails)									
	4 (10.2)	0.062 (0.353)	16.113 (2.837)	0.061 (0.344)	16.499 (2.905)	0.06 (0.339)	16.766 (2.952)	0.059 (0.336)	16.909 (2.977)	0.059 (0.333)	17.04 (3)
	5 (12.7)	0.05 (0.283)	20.049 (3.53)	0.049 (0.277)	20.495 (3.608)	0.048 (0.273)	20.803 (3.663)	0.048 (0.271)	20.968 (3.691)	0.047 (0.269)	21.118 (3.718)
	6 (15.2)	0.041 (0.232)	24.443 (4.303)	0.04 (0.228)	24.88 (4.38)	0.04 (0.226)	25.179 (4.433)	0.039 (0.224)	25.338 (4.461)	0.039 (0.223)	25.483 (4.486)

<sup>a</sup>Between insulation thicknesses the values can be interpolated

# R-VALUE TABLES

## Fox VTR Concrete 3" (76.2mm)

**Brackets:** Vertical stainless steel brackets (medium size)

**Base Material:** Concrete 3" (76.2mm)

Horizontal Stud to Stud Spacing	Exterior Insulation Thickness <sup>a</sup> in. (cm)	Vertical Bracket to Bracket Spacing									
		24" Vertical (609.6mm)		30" Vertical (762mm)		36" Vertical (914.4mm)		42" Vertical (1066.8mm)		48" Vertical (1219.2mm)	
		Effective U-Value BTU/h*ft <sup>2</sup> *°F (W/m <sup>2</sup> K)	Effective R-Value h*ft <sup>2</sup> *°F/ BTU (m <sup>2</sup> K/W)	Effective U-Value BTU/h*ft <sup>2</sup> *°F (W/m <sup>2</sup> K)	Effective R-Value h*ft <sup>2</sup> *°F/ BTU (m <sup>2</sup> K/W)	Effective U-Value BTU/h*ft <sup>2</sup> *°F (W/m <sup>2</sup> K)	Effective R-Value h*ft <sup>2</sup> *°F/ BTU (m <sup>2</sup> K/W)	Effective U-Value BTU/h*ft <sup>2</sup> *°F (W/m <sup>2</sup> K)	Effective R-Value h*ft <sup>2</sup> *°F/ BTU (m <sup>2</sup> K/W)	Effective U-Value BTU/h*ft <sup>2</sup> *°F (W/m <sup>2</sup> K)	Effective R-Value h*ft <sup>2</sup> *°F/ BTU (m <sup>2</sup> K/W)
16" (406.4mm)		0.38 pcs/ft <sup>2</sup> (bracket) 4.04 pcs/m <sup>2</sup> (bracket)		0.3 pcs/ft <sup>2</sup> (bracket) 3.28 pcs/m <sup>2</sup> (bracket)		0.26 pcs/ft <sup>2</sup> (bracket) 2.78 pcs/m <sup>2</sup> (bracket)		0.23 pcs/ft <sup>2</sup> (bracket) 2.52 pcs/m <sup>2</sup> (bracket)		0.21 pcs/ft <sup>2</sup> (bracket) 2.28 pcs/m <sup>2</sup> (bracket)	
		0.75 ft/ft <sup>2</sup> (rails) 2.46 m/m <sup>2</sup> (rails)									
	4 (10.2)	0.074 (0.422)	13.466 (2.371)	0.071 (0.401)	14.159 (2.493)	0.068 (0.387)	14.661 (2.581)	0.067 (0.38)	14.936 (2.63)	0.066 (0.374)	15.194 (2.675)
	5 (12.7)	0.059 (0.334)	16.99 (2.991)	0.056 (0.319)	17.811 (3.136)	0.054 (0.309)	18.403 (3.24)	0.053 (0.303)	18.727 (3.297)	0.053 (0.298)	19.029 (3.35)
	6 (15.2)	0.047 (0.266)	21.375 (3.763)	0.045 (0.256)	22.229 (3.914)	0.044 (0.249)	22.835 (4.02)	0.043 (0.245)	23.165 (4.078)	0.043 (0.242)	23.47 (4.132)
24" (609.6mm)		0.25 pcs/ft <sup>2</sup> (bracket) 2.69 pcs/m <sup>2</sup> (bracket)		0.2 pcs/ft <sup>2</sup> (bracket) 2.19 pcs/m <sup>2</sup> (bracket)		0.17 pcs/ft <sup>2</sup> (bracket) 1.85 pcs/m <sup>2</sup> (bracket)		0.16 pcs/ft <sup>2</sup> (bracket) 1.68 pcs/m <sup>2</sup> (bracket)		0.14 pcs/ft <sup>2</sup> (bracket) 1.52 pcs/m <sup>2</sup> (bracket)	
		0.5 ft/ft <sup>2</sup> (rails) 1.64 m/m <sup>2</sup> (rails)									
	4 (10.2)	0.067 (0.383)	14.843 (2.613)	0.065 (0.369)	15.396 (2.711)	0.063 (0.36)	15.788 (2.78)	0.063 (0.355)	16 (2.817)	0.062 (0.351)	16.196 (2.851)
	5 (12.7)	0.054 (0.306)	18.589 (3.273)	0.052 (0.295)	19.236 (3.387)	0.051 (0.288)	19.692 (3.67)	0.05 (0.285)	19.938 (3.51)	0.05 (0.282)	20.165 (3.55)
	6 (15.2)	0.043 (0.247)	23.005 (4.05)	0.042 (0.24)	23.656 (4.165)	0.041 (0.236)	24.11 (4.245)	0.041 (0.233)	24.355 (4.288)	0.041 (0.231)	24.579 (4.327)
32" (812.8mm)		0.19 pcs/ft <sup>2</sup> (bracket) 2.02 pcs/m <sup>2</sup> (bracket)		0.15 pcs/ft <sup>2</sup> (bracket) 1.64 pcs/m <sup>2</sup> (bracket)		0.13 pcs/ft <sup>2</sup> (bracket) 1.39 pcs/m <sup>2</sup> (bracket)		0.12 pcs/ft <sup>2</sup> (bracket) 1.26 pcs/m <sup>2</sup> (bracket)		0.11 pcs/ft <sup>2</sup> (bracket) 1.14 pcs/m <sup>2</sup> (bracket)	
		0.38 ft/ft <sup>2</sup> (rails) 1.23 m/m <sup>2</sup> (rails)									
	4 (10.2)	0.064 (0.363)	15.642 (2.754)	0.062 (0.353)	16.099 (2.834)	0.061 (0.346)	16.419 (2.891)	0.06 (0.342)	16.59 (2.921)	0.06 (0.339)	16.748 (2.949)
	5 (12.7)	0.051 (0.291)	19.507 (3.434)	0.05 (0.283)	20.037 (3.528)	0.049 (0.278)	20.406 (3.593)	0.049 (0.276)	20.604 (3.627)	0.048 (0.273)	20.786 (3.659)
	6 (15.2)	0.042 (0.237)	23.916 (4.211)	0.041 (0.232)	24.441 (4.303)	0.04 (0.229)	24.803 (4.367)	0.04 (0.227)	24.997 (4.401)	0.04 (0.226)	25.173 (4.432)
40" (1016mm)		0.15 pcs/ft <sup>2</sup> (bracket) 1.61 pcs/m <sup>2</sup> (bracket)		0.12 pcs/ft <sup>2</sup> (bracket) 1.31 pcs/m <sup>2</sup> (bracket)		0.1 pcs/ft <sup>2</sup> (bracket) 1.11 pcs/m <sup>2</sup> (bracket)		0.09 pcs/ft <sup>2</sup> (bracket) 1.01 pcs/m <sup>2</sup> (bracket)		0.08 pcs/ft <sup>2</sup> (bracket) 0.91 pcs/m <sup>2</sup> (bracket)	
		0.3 ft/ft <sup>2</sup> (rails) 0.98 m/m <sup>2</sup> (rails)									
	4 (10.2)	0.062 (0.351)	16.164 (2.846)	0.06 (0.343)	16.553 (2.914)	0.059 (0.338)	16.822 (2.962)	0.059 (0.335)	16.966 (2.987)	0.058 (0.332)	17.098 (3.01)
	5 (12.7)	0.05 (0.283)	20.102 (3.539)	0.049 (0.276)	20.551 (3.618)	0.048 (0.272)	20.86 (3.673)	0.048 (0.27)	21.026 (3.702)	0.047 (0.268)	21.177 (3.728)
	6 (15.2)	0.041 (0.232)	24.499 (4.313)	0.04 (0.228)	24.938 (4.39)	0.04 (0.225)	25.238 (4.443)	0.039 (0.224)	25.398 (4.472)	0.039 (0.222)	25.544 (4.497)

<sup>a</sup>Between insulation thicknesses the values can be interpolated

# R-VALUE TABLES

## Fox VTR Concrete 4" (101.6mm)

**Brackets:** Vertical stainless steel brackets (medium size)

**Base Material:** Concrete 4" (101.6mm)

Horizontal Stud to Stud Spacing	Exterior Insulation Thickness <sup>a</sup> in. (cm)	Vertical Bracket to Bracket Spacing									
		24" Vertical (609.6mm)		30" Vertical (762mm)		36" Vertical (914.4mm)		42" Vertical (1066.8mm)		48" Vertical (1219.2mm)	
		Effective U-Value BTU/h*ft <sup>2</sup> *°F (W/m <sup>2</sup> K)	Effective R-Value h*ft <sup>2</sup> *°F/ BTU (m <sup>2</sup> K/W)	Effective U-Value BTU/h*ft <sup>2</sup> *°F (W/m <sup>2</sup> K)	Effective R-Value h*ft <sup>2</sup> *°F/ BTU (m <sup>2</sup> K/W)	Effective U-Value BTU/h*ft <sup>2</sup> *°F (W/m <sup>2</sup> K)	Effective R-Value h*ft <sup>2</sup> *°F/ BTU (m <sup>2</sup> K/W)	Effective U-Value BTU/h*ft <sup>2</sup> *°F (W/m <sup>2</sup> K)	Effective R-Value h*ft <sup>2</sup> *°F/ BTU (m <sup>2</sup> K/W)	Effective U-Value BTU/h*ft <sup>2</sup> *°F (W/m <sup>2</sup> K)	Effective R-Value h*ft <sup>2</sup> *°F/ BTU (m <sup>2</sup> K/W)
16" (406.4mm)		0.38 pcs/ft <sup>2</sup> (bracket) 4.04 pcs/m <sup>2</sup> (bracket)		0.3 pcs/ft <sup>2</sup> (bracket) 3.28 pcs/m <sup>2</sup> (bracket)		0.26 pcs/ft <sup>2</sup> (bracket) 2.78 pcs/m <sup>2</sup> (bracket)		0.23 pcs/ft <sup>2</sup> (bracket) 2.52 pcs/m <sup>2</sup> (bracket)		0.21 pcs/ft <sup>2</sup> (bracket) 2.28 pcs/m <sup>2</sup> (bracket)	
		0.75 ft/ft <sup>2</sup> (rails) 2.46 m/m <sup>2</sup> (rails)									
	4 (10.2)	0.074 (0.421)	13.502 (2.377)	0.07 (0.4)	14.198 (2.5)	0.068 (0.386)	14.703 (2.589)	0.067 (0.379)	14.98 (2.637)	0.066 (0.373)	15.24 (2.683)
	5 (12.7)	0.059 (0.334)	17.027 (2.998)	0.056 (0.318)	17.852 (3.143)	0.054 (0.308)	18.447 (3.248)	0.053 (0.303)	18.773 (3.305)	0.052 (0.298)	19.077 (3.359)
	6 (15.2)	0.047 (0.265)	21.418 (3.771)	0.045 (0.255)	22.275 (3.922)	0.044 (0.248)	22.884 (4.029)	0.043 (0.245)	23.215 (4.087)	0.043 (0.241)	23.521 (4.141)
24" (609.6mm)		0.25 pcs/ft <sup>2</sup> (bracket) 2.69 pcs/m <sup>2</sup> (bracket)		0.2 pcs/ft <sup>2</sup> (bracket) 2.19 pcs/m <sup>2</sup> (bracket)		0.17 pcs/ft <sup>2</sup> (bracket) 1.85 pcs/m <sup>2</sup> (bracket)		0.16 pcs/ft <sup>2</sup> (bracket) 1.68 pcs/m <sup>2</sup> (bracket)		0.14 pcs/ft <sup>2</sup> (bracket) 1.52 pcs/m <sup>2</sup> (bracket)	
		0.5 ft/ft <sup>2</sup> (rails) 1.64 m/m <sup>2</sup> (rails)									
	4 (10.2)	0.067 (0.382)	14.886 (2.621)	0.065 (0.368)	15.443 (2.719)	0.063 (0.359)	15.837 (2.788)	0.062 (0.354)	16.05 (2.826)	0.062 (0.35)	16.248 (2.86)
	5 (12.7)	0.054 (0.305)	18.634 (3.281)	0.052 (0.295)	19.284 (3.395)	0.051 (0.288)	19.742 (3.476)	0.05 (0.284)	19.99 (3.519)	0.049 (0.281)	20.219 (3.56)
	6 (15.2)	0.043 (0.246)	23.054 (4.059)	0.042 (0.24)	23.709 (4.174)	0.041 (0.235)	24.165 (4.254)	0.041 (0.233)	24.41 (4.298)	0.041 (0.231)	24.635 (4.337)
32" (812.8mm)		0.19 pcs/ft <sup>2</sup> (bracket) 2.02 pcs/m <sup>2</sup> (bracket)		0.15 pcs/ft <sup>2</sup> (bracket) 1.64 pcs/m <sup>2</sup> (bracket)		0.13 pcs/ft <sup>2</sup> (bracket) 1.39 pcs/m <sup>2</sup> (bracket)		0.12 pcs/ft <sup>2</sup> (bracket) 1.26 pcs/m <sup>2</sup> (bracket)		0.11 pcs/ft <sup>2</sup> (bracket) 1.14 pcs/m <sup>2</sup> (bracket)	
		0.38 ft/ft <sup>2</sup> (rails) 1.23 m/m <sup>2</sup> (rails)									
	4 (10.2)	0.064 (0.362)	15.69 (2.762)	0.062 (0.352)	16.15 (2.843)	0.061 (0.345)	16.472 (2.9)	0.06 (0.341)	16.645 (2.93)	0.06 (0.338)	16.803 (2.958)
	5 (12.7)	0.051 (0.29)	19.557 (3.443)	0.05 (0.283)	20.09 (3.537)	0.049 (0.278)	20.461 (3.602)	0.048 (0.275)	20.66 (3.637)	0.048 (0.273)	20.842 (3.669)
	6 (15.2)	0.042 (0.237)	23.97 (4.22)	0.041 (0.232)	24.497 (4.313)	0.04 (0.228)	24.861 (4.377)	0.04 (0.227)	25.055 (4.411)	0.04 (0.225)	25.232 (4.442)
40" (1016mm)		0.15 pcs/ft <sup>2</sup> (bracket) 1.61 pcs/m <sup>2</sup> (bracket)		0.12 pcs/ft <sup>2</sup> (bracket) 1.31 pcs/m <sup>2</sup> (bracket)		0.1 pcs/ft <sup>2</sup> (bracket) 1.11 pcs/m <sup>2</sup> (bracket)		0.09 pcs/ft <sup>2</sup> (bracket) 1.01 pcs/m <sup>2</sup> (bracket)		0.08 pcs/ft <sup>2</sup> (bracket) 0.91 pcs/m <sup>2</sup> (bracket)	
		0.3 ft/ft <sup>2</sup> (rails) 0.98 m/m <sup>2</sup> (rails)									
	4 (10.2)	0.062 (0.35)	16.216 (2.855)	0.06 (0.342)	16.607 (2.924)	0.059 (0.337)	16.878 (2.971)	0.059 (0.334)	17.023 (2.997)	0.058 (0.331)	17.155 (3.02)
	5 (12.7)	0.05 (0.282)	20.155 (3.548)	0.049 (0.276)	20.606 (3.628)	0.048 (0.272)	20.917 (3.683)	0.047 (0.269)	21.083 (3.712)	0.047 (0.267)	21.235 (3.739)
	6 (15.2)	0.041 (0.231)	24.555 (4.323)	0.04 (0.227)	24.996 (4.401)	0.04 (0.225)	25.298 (4.454)	0.039 (0.223)	25.458 (4.482)	0.039 (0.222)	25.605 (4.508)

<sup>a</sup>Between insulation thicknesses the values can be interpolated

# R-VALUE TABLES

## Fox VTR Concrete 5" (127mm)

**Brackets:** Vertical stainless steel brackets (medium size)

**Base Material:** Concrete 5" (127mm)

Horizontal Stud to Stud Spacing	Exterior Insulation Thickness* in. (cm)	Vertical Bracket to Bracket Spacing									
		24" Vertical (609.6mm)		30" Vertical (762mm)		36" Vertical (914.4mm)		42" Vertical (1066.8mm)		48" Vertical (1219.2mm)	
		Effective U-Value BTU/h*ft <sup>2</sup> *°F (W/m <sup>2</sup> K)	Effective R-Value h*ft <sup>2</sup> *°F/ BTU (m <sup>2</sup> K/W)	Effective U-Value BTU/h*ft <sup>2</sup> *°F (W/m <sup>2</sup> K)	Effective R-Value h*ft <sup>2</sup> *°F/ BTU (m <sup>2</sup> K/W)	Effective U-Value BTU/h*ft <sup>2</sup> *°F (W/m <sup>2</sup> K)	Effective R-Value h*ft <sup>2</sup> *°F/ BTU (m <sup>2</sup> K/W)	Effective U-Value BTU/h*ft <sup>2</sup> *°F (W/m <sup>2</sup> K)	Effective R-Value h*ft <sup>2</sup> *°F/ BTU (m <sup>2</sup> K/W)	Effective U-Value BTU/h*ft <sup>2</sup> *°F (W/m <sup>2</sup> K)	Effective R-Value h*ft <sup>2</sup> *°F/ BTU (m <sup>2</sup> K/W)
16" (406.4mm)		0.38 pcs/ft <sup>2</sup> (bracket) 4.04 pcs/m <sup>2</sup> (bracket)		0.3 pcs/ft <sup>2</sup> (bracket) 3.28 pcs/m <sup>2</sup> (bracket)		0.26 pcs/ft <sup>2</sup> (bracket) 2.78 pcs/m <sup>2</sup> (bracket)		0.23 pcs/ft <sup>2</sup> (bracket) 2.52 pcs/m <sup>2</sup> (bracket)		0.21 pcs/ft <sup>2</sup> (bracket) 2.28 pcs/m <sup>2</sup> (bracket)	
		0.75 ft/ft <sup>2</sup> (rails) 2.46 m/m <sup>2</sup> (rails)									
	4 (10.2)	0.074 (0.42)	13.538 (2.383)	0.07 (0.399)	14.238 (2.507)	0.068 (0.385)	14.745 (2.596)	0.067 (0.378)	15.024 (2.645)	0.065 (0.372)	15.285 (2.691)
	5 (12.7)	0.059 (0.333)	17.065 (3.004)	0.056 (0.317)	17.894 (3.15)	0.054 (0.307)	18.491 (3.256)	0.053 (0.302)	18.819 (3.313)	0.052 (0.297)	19.124 (3.367)
	6 (15.2)	0.047 (0.265)	21.461 (3.778)	0.045 (0.254)	22.321 (3.93)	0.044 (0.248)	22.933 (4.037)	0.043 (0.244)	23.265 (4.096)	0.042 (0.241)	23.573 (4.15)
24" (609.6mm)		0.25 pcs/ft <sup>2</sup> (bracket) 2.69 pcs/m <sup>2</sup> (bracket)		0.2 pcs/ft <sup>2</sup> (bracket) 2.19 pcs/m <sup>2</sup> (bracket)		0.17 pcs/ft <sup>2</sup> (bracket) 1.85 pcs/m <sup>2</sup> (bracket)		0.16 pcs/ft <sup>2</sup> (bracket) 1.68 pcs/m <sup>2</sup> (bracket)		0.14 pcs/ft <sup>2</sup> (bracket) 1.52 pcs/m <sup>2</sup> (bracket)	
		0.5 ft/ft <sup>2</sup> (rails) 1.64 m/m <sup>2</sup> (rails)									
	4 (10.2)	0.067 (0.38)	14.93 (2.628)	0.065 (0.367)	15.489 (2.727)	0.063 (0.358)	15.886 (2.797)	0.062 (0.353)	16.101 (2.835)	0.061 (0.348)	16.299 (2.87)
	5 (12.7)	0.054 (0.304)	18.679 (3.289)	0.052 (0.294)	19.332 (3.404)	0.051 (0.287)	19.793 (3.485)	0.05 (0.283)	20.042 (3.529)	0.049 (0.28)	20.272 (3.569)
	6 (15.2)	0.043 (0.246)	23.103 (4.068)	0.042 (0.239)	23.761 (4.183)	0.041 (0.235)	24.219 (4.264)	0.041 (0.232)	24.465 (4.307)	0.041 (0.23)	24.691 (4.347)
32" (812.8mm)		0.19 pcs/ft <sup>2</sup> (bracket) 2.02 pcs/m <sup>2</sup> (bracket)		0.15 pcs/ft <sup>2</sup> (bracket) 1.64 pcs/m <sup>2</sup> (bracket)		0.13 pcs/ft <sup>2</sup> (bracket) 1.39 pcs/m <sup>2</sup> (bracket)		0.12 pcs/ft <sup>2</sup> (bracket) 1.26 pcs/m <sup>2</sup> (bracket)		0.11 pcs/ft <sup>2</sup> (bracket) 1.14 pcs/m <sup>2</sup> (bracket)	
		0.38 ft/ft <sup>2</sup> (rails) 1.23 m/m <sup>2</sup> (rails)									
	4 (10.2)	0.064 (0.361)	15.739 (2.771)	0.062 (0.351)	16.202 (2.852)	0.061 (0.344)	16.525 (2.909)	0.06 (0.34)	16.699 (2.94)	0.059 (0.337)	16.859 (2.968)
	5 (12.7)	0.051 (0.29)	19.606 (3.452)	0.05 (0.282)	20.142 (3.546)	0.049 (0.277)	20.515 (3.612)	0.048 (0.274)	20.715 (3.647)	0.048 (0.272)	20.899 (3.679)
	6 (15.2)	0.042 (0.236)	24.023 (4.229)	0.041 (0.231)	24.553 (4.323)	0.04 (0.228)	24.918 (4.387)	0.04 (0.226)	25.113 (4.421)	0.04 (0.225)	25.291 (4.453)
40" (1016mm)		0.15 pcs/ft <sup>2</sup> (bracket) 1.61 pcs/m <sup>2</sup> (bracket)		0.12 pcs/ft <sup>2</sup> (bracket) 1.31 pcs/m <sup>2</sup> (bracket)		0.1 pcs/ft <sup>2</sup> (bracket) 1.11 pcs/m <sup>2</sup> (bracket)		0.09 pcs/ft <sup>2</sup> (bracket) 1.01 pcs/m <sup>2</sup> (bracket)		0.08 pcs/ft <sup>2</sup> (bracket) 0.91 pcs/m <sup>2</sup> (bracket)	
		0.3 ft/ft <sup>2</sup> (rails) 0.98 m/m <sup>2</sup> (rails)									
	4 (10.2)	0.061 (0.349)	16.267 (2.864)	0.06 (0.341)	16.661 (2.933)	0.059 (0.335)	16.934 (2.981)	0.059 (0.333)	17.08 (3.007)	0.058 (0.33)	17.213 (3.03)
	5 (12.7)	0.049 (0.281)	20.208 (3.558)	0.048 (0.275)	20.661 (3.638)	0.048 (0.271)	20.974 (3.693)	0.047 (0.269)	21.141 (3.722)	0.047 (0.267)	21.294 (3.749)
	6 (15.2)	0.041 (0.231)	24.611 (4.333)	0.04 (0.227)	25.054 (4.411)	0.039 (0.224)	25.357 (4.464)	0.039 (0.223)	25.518 (4.493)	0.039 (0.221)	25.665 (4.519)

\*Between insulation thicknesses the values can be interpolated

# R-VALUE TABLES

## Fox VTR Concrete 6" (152.4mm)

**Brackets:** Vertical stainless steel brackets (medium size)

**Base Material:** Concrete 6" (152.4mm)

Horizontal Stud to Stud Spacing	Exterior Insulation Thickness* in. (cm)	Vertical Bracket to Bracket Spacing									
		24" Vertical (609.6mm)		30" Vertical (762mm)		36" Vertical (914.4mm)		42" Vertical (1066.8mm)		48" Vertical (1219.2mm)	
		Effective U-Value BTU/h*ft <sup>2</sup> *°F (W/m <sup>2</sup> K)	Effective R-Value h*ft <sup>2</sup> *°F/ BTU (m <sup>2</sup> K/W)	Effective U-Value BTU/h*ft <sup>2</sup> *°F (W/m <sup>2</sup> K)	Effective R-Value h*ft <sup>2</sup> *°F/ BTU (m <sup>2</sup> K/W)	Effective U-Value BTU/h*ft <sup>2</sup> *°F (W/m <sup>2</sup> K)	Effective R-Value h*ft <sup>2</sup> *°F/ BTU (m <sup>2</sup> K/W)	Effective U-Value BTU/h*ft <sup>2</sup> *°F (W/m <sup>2</sup> K)	Effective R-Value h*ft <sup>2</sup> *°F/ BTU (m <sup>2</sup> K/W)	Effective U-Value BTU/h*ft <sup>2</sup> *°F (W/m <sup>2</sup> K)	Effective R-Value h*ft <sup>2</sup> *°F/ BTU (m <sup>2</sup> K/W)
16" (406.4mm)		0.38 pcs/ft <sup>2</sup> (bracket) 4.04 pcs/m <sup>2</sup> (bracket)		0.3 pcs/ft <sup>2</sup> (bracket) 3.28 pcs/m <sup>2</sup> (bracket)		0.26 pcs/ft <sup>2</sup> (bracket) 2.78 pcs/m <sup>2</sup> (bracket)		0.23 pcs/ft <sup>2</sup> (bracket) 2.52 pcs/m <sup>2</sup> (bracket)		0.21 pcs/ft <sup>2</sup> (bracket) 2.28 pcs/m <sup>2</sup> (bracket)	
		0.75 ft/ft <sup>2</sup> (rails) 2.46 m/m <sup>2</sup> (rails)									
	4 (10.2)	0.074 (0.418)	13.573 (2.39)	0.07 (0.398)	14.277 (2.514)	0.068 (0.384)	14.788 (2.603)	0.066 (0.377)	15.068 (2.653)	0.065 (0.371)	15.33 (2.699)
	5 (12.7)	0.058 (0.332)	17.103 (3.011)	0.056 (0.317)	17.935 (3.158)	0.054 (0.306)	18.536 (3.263)	0.053 (0.301)	18.865 (3.321)	0.052 (0.296)	19.171 (3.375)
	6 (15.2)	0.047 (0.264)	21.503 (3.786)	0.045 (0.254)	22.367 (3.938)	0.044 (0.247)	22.981 (4.046)	0.043 (0.244)	23.315 (4.105)	0.042 (0.24)	23.624 (4.159)
24" (609.6mm)		0.25 pcs/ft <sup>2</sup> (bracket) 2.69 pcs/m <sup>2</sup> (bracket)		0.2 pcs/ft <sup>2</sup> (bracket) 2.19 pcs/m <sup>2</sup> (bracket)		0.17 pcs/ft <sup>2</sup> (bracket) 1.85 pcs/m <sup>2</sup> (bracket)		0.16 pcs/ft <sup>2</sup> (bracket) 1.68 pcs/m <sup>2</sup> (bracket)		0.14 pcs/ft <sup>2</sup> (bracket) 1.52 pcs/m <sup>2</sup> (bracket)	
		0.5 ft/ft <sup>2</sup> (rails) 1.64 m/m <sup>2</sup> (rails)									
	4 (10.2)	0.067 (0.379)	14.973 (2.636)	0.064 (0.366)	15.536 (2.735)	0.063 (0.356)	15.935 (2.805)	0.062 (0.352)	16.151 (2.843)	0.061 (0.347)	16.351 (2.879)
	5 (12.7)	0.053 (0.303)	18.724 (3.297)	0.052 (0.293)	19.381 (3.412)	0.05 (0.286)	19.844 (3.494)	0.05 (0.283)	20.094 (3.538)	0.049 (0.279)	20.325 (3.578)
	6 (15.2)	0.043 (0.245)	23.153 (4.076)	0.042 (0.239)	23.813 (4.192)	0.041 (0.234)	24.273 (4.273)	0.041 (0.232)	24.52 (4.317)	0.04 (0.23)	24.748 (4.357)
32" (812.8mm)		0.19 pcs/ft <sup>2</sup> (bracket) 2.02 pcs/m <sup>2</sup> (bracket)		0.15 pcs/ft <sup>2</sup> (bracket) 1.64 pcs/m <sup>2</sup> (bracket)		0.13 pcs/ft <sup>2</sup> (bracket) 1.39 pcs/m <sup>2</sup> (bracket)		0.12 pcs/ft <sup>2</sup> (bracket) 1.26 pcs/m <sup>2</sup> (bracket)		0.11 pcs/ft <sup>2</sup> (bracket) 1.14 pcs/m <sup>2</sup> (bracket)	
		0.38 ft/ft <sup>2</sup> (rails) 1.23 m/m <sup>2</sup> (rails)									
	4 (10.2)	0.063 (0.36)	15.787 (2.779)	0.062 (0.349)	16.253 (2.861)	0.06 (0.343)	16.578 (2.919)	0.06 (0.339)	16.753 (2.949)	0.059 (0.336)	16.914 (2.978)
	5 (12.7)	0.051 (0.289)	19.656 (3.461)	0.05 (0.281)	20.195 (3.555)	0.049 (0.276)	20.57 (3.621)	0.048 (0.273)	20.771 (3.657)	0.048 (0.271)	20.955 (3.689)
	6 (15.2)	0.042 (0.236)	24.076 (4.239)	0.041 (0.231)	24.608 (4.332)	0.04 (0.227)	24.975 (4.397)	0.04 (0.226)	25.171 (4.432)	0.039 (0.224)	25.35 (4.463)
40" (1016mm)		0.15 pcs/ft <sup>2</sup> (bracket) 1.61 pcs/m <sup>2</sup> (bracket)		0.12 pcs/ft <sup>2</sup> (bracket) 1.31 pcs/m <sup>2</sup> (bracket)		0.1 pcs/ft <sup>2</sup> (bracket) 1.11 pcs/m <sup>2</sup> (bracket)		0.09 pcs/ft <sup>2</sup> (bracket) 1.01 pcs/m <sup>2</sup> (bracket)		0.08 pcs/ft <sup>2</sup> (bracket) 0.91 pcs/m <sup>2</sup> (bracket)	
		0.3 ft/ft <sup>2</sup> (rails) 0.98 m/m <sup>2</sup> (rails)									
	4 (10.2)	0.061 (0.348)	16.319 (2.873)	0.06 (0.34)	16.715 (2.943)	0.059 (0.334)	16.99 (2.991)	0.058 (0.331)	17.136 (3.017)	0.058 (0.329)	17.271 (3.041)
	5 (12.7)	0.049 (0.28)	20.261 (3.567)	0.048 (0.274)	20.717 (3.647)	0.048 (0.27)	21.031 (3.703)	0.047 (0.268)	21.199 (3.732)	0.047 (0.266)	21.353 (3.759)
	6 (15.2)	0.041 (0.23)	24.666 (4.343)	0.04 (0.226)	25.111 (4.421)	0.039 (0.223)	25.417 (4.475)	0.039 (0.222)	25.579 (4.503)	0.039 (0.221)	25.726 (4.529)

\*Between insulation thicknesses the values can be interpolated

# R-VALUE TABLES

## Fox VTR Concrete 8" (203.2mm)

**Brackets:** Vertical stainless steel brackets (medium size)

**Base Material:** Concrete 8" (203.2mm)

Horizontal Stud to Stud Spacing	Exterior Insulation Thickness* in. (cm)	Vertical Bracket to Bracket Spacing									
		24" Vertical (609.6mm)		30" Vertical (762mm)		36" Vertical (914.4mm)		42" Vertical (1066.8mm)		48" Vertical (1219.2mm)	
		Effective U-Value BTU/h*ft <sup>2</sup> *°F (W/m <sup>2</sup> K)	Effective R-Value h*ft <sup>2</sup> *°F/ BTU (m <sup>2</sup> K/W)	Effective U-Value BTU/h*ft <sup>2</sup> *°F (W/m <sup>2</sup> K)	Effective R-Value h*ft <sup>2</sup> *°F/ BTU (m <sup>2</sup> K/W)	Effective U-Value BTU/h*ft <sup>2</sup> *°F (W/m <sup>2</sup> K)	Effective R-Value h*ft <sup>2</sup> *°F/ BTU (m <sup>2</sup> K/W)	Effective U-Value BTU/h*ft <sup>2</sup> *°F (W/m <sup>2</sup> K)	Effective R-Value h*ft <sup>2</sup> *°F/ BTU (m <sup>2</sup> K/W)	Effective U-Value BTU/h*ft <sup>2</sup> *°F (W/m <sup>2</sup> K)	Effective R-Value h*ft <sup>2</sup> *°F/ BTU (m <sup>2</sup> K/W)
16" (406.4mm)		0.38 pcs/ft <sup>2</sup> (bracket) 4.04 pcs/m <sup>2</sup> (bracket)		0.3 pcs/ft <sup>2</sup> (bracket) 3.28 pcs/m <sup>2</sup> (bracket)		0.26 pcs/ft <sup>2</sup> (bracket) 2.78 pcs/m <sup>2</sup> (bracket)		0.23 pcs/ft <sup>2</sup> (bracket) 2.52 pcs/m <sup>2</sup> (bracket)		0.21 pcs/ft <sup>2</sup> (bracket) 2.28 pcs/m <sup>2</sup> (bracket)	
		0.75 ft/ft <sup>2</sup> (rails) 2.46 m/m <sup>2</sup> (rails)									
	4 (10.2)	0.073 (0.416)	13.644 (2.402)	0.07 (0.396)	14.356 (2.527)	0.067 (0.382)	14.872 (2.618)	0.066 (0.375)	15.156 (2.668)	0.065 (0.368)	15.421 (2.715)
	5 (12.7)	0.058 (0.331)	17.178 (3.024)	0.056 (0.315)	18.018 (3.172)	0.054 (0.305)	18.624 (3.279)	0.053 (0.3)	18.956 (3.337)	0.052 (0.295)	19.266 (3.392)
	6 (15.2)	0.046 (0.263)	21.588 (3.801)	0.045 (0.253)	22.459 (3.954)	0.043 (0.246)	23.078 (4.063)	0.043 (0.243)	23.415 (4.122)	0.042 (0.239)	23.727 (4.177)
24" (609.6mm)		0.25 pcs/ft <sup>2</sup> (bracket) 2.69 pcs/m <sup>2</sup> (bracket)		0.2 pcs/ft <sup>2</sup> (bracket) 2.19 pcs/m <sup>2</sup> (bracket)		0.17 pcs/ft <sup>2</sup> (bracket) 1.85 pcs/m <sup>2</sup> (bracket)		0.16 pcs/ft <sup>2</sup> (bracket) 1.68 pcs/m <sup>2</sup> (bracket)		0.14 pcs/ft <sup>2</sup> (bracket) 1.52 pcs/m <sup>2</sup> (bracket)	
		0.5 ft/ft <sup>2</sup> (rails) 1.64 m/m <sup>2</sup> (rails)									
	4 (10.2)	0.066 (0.377)	15.059 (2.651)	0.064 (0.363)	15.629 (2.752)	0.062 (0.354)	16.033 (2.823)	0.062 (0.35)	16.252 (2.861)	0.061 (0.345)	16.454 (2.897)
	5 (12.7)	0.053 (0.302)	18.814 (3.312)	0.051 (0.292)	19.477 (3.429)	0.05 (0.285)	19.945 (3.511)	0.05 (0.281)	20.198 (3.556)	0.049 (0.278)	20.431 (3.597)
	6 (15.2)	0.043 (0.244)	23.251 (4.093)	0.042 (0.237)	23.917 (4.211)	0.041 (0.233)	24.381 (4.293)	0.041 (0.231)	24.631 (4.336)	0.04 (0.228)	24.86 (4.377)
32" (812.8mm)		0.19 pcs/ft <sup>2</sup> (bracket) 2.02 pcs/m <sup>2</sup> (bracket)		0.15 pcs/ft <sup>2</sup> (bracket) 1.64 pcs/m <sup>2</sup> (bracket)		0.13 pcs/ft <sup>2</sup> (bracket) 1.39 pcs/m <sup>2</sup> (bracket)		0.12 pcs/ft <sup>2</sup> (bracket) 1.26 pcs/m <sup>2</sup> (bracket)		0.11 pcs/ft <sup>2</sup> (bracket) 1.14 pcs/m <sup>2</sup> (bracket)	
		0.38 ft/ft <sup>2</sup> (rails) 1.23 m/m <sup>2</sup> (rails)									
	4 (10.2)	0.063 (0.358)	15.883 (2.796)	0.061 (0.347)	16.354 (2.879)	0.06 (0.34)	16.684 (2.937)	0.059 (0.337)	16.861 (2.969)	0.059 (0.334)	17.024 (2.997)
	5 (12.7)	0.051 (0.288)	19.755 (3.478)	0.049 (0.28)	20.3 (3.574)	0.048 (0.275)	20.679 (3.641)	0.048 (0.272)	20.882 (3.676)	0.047 (0.27)	21.068 (3.709)
	6 (15.2)	0.041 (0.235)	24.183 (4.257)	0.04 (0.23)	24.719 (4.352)	0.04 (0.226)	25.09 (4.417)	0.04 (0.225)	25.288 (4.452)	0.039 (0.223)	25.468 (4.484)
40" (1016mm)		0.15 pcs/ft <sup>2</sup> (bracket) 1.61 pcs/m <sup>2</sup> (bracket)		0.12 pcs/ft <sup>2</sup> (bracket) 1.31 pcs/m <sup>2</sup> (bracket)		0.1 pcs/ft <sup>2</sup> (bracket) 1.11 pcs/m <sup>2</sup> (bracket)		0.09 pcs/ft <sup>2</sup> (bracket) 1.01 pcs/m <sup>2</sup> (bracket)		0.08 pcs/ft <sup>2</sup> (bracket) 0.91 pcs/m <sup>2</sup> (bracket)	
		0.3 ft/ft <sup>2</sup> (rails) 0.98 m/m <sup>2</sup> (rails)									
	4 (10.2)	0.061 (0.346)	16.422 (2.891)	0.059 (0.338)	16.823 (2.962)	0.058 (0.332)	17.101 (3.011)	0.058 (0.329)	17.25 (3.037)	0.058 (0.327)	17.386 (3.061)
	5 (12.7)	0.049 (0.279)	20.367 (3.586)	0.048 (0.273)	20.827 (3.667)	0.047 (0.269)	21.145 (3.723)	0.047 (0.266)	21.315 (3.753)	0.047 (0.265)	21.47 (3.78)
	6 (15.2)	0.04 (0.229)	24.778 (4.362)	0.04 (0.225)	25.227 (4.441)	0.039 (0.222)	25.535 (4.496)	0.039 (0.221)	25.699 (4.524)	0.039 (0.22)	25.848 (4.551)

\*Between insulation thicknesses the values can be interpolated

# R-VALUE TABLES

## Fox VTR Concrete 10" (254mm)

**Brackets:** Vertical stainless steel brackets (medium size)

**Base Material:** Concrete 10" (254mm)

Horizontal Stud to Stud Spacing	Exterior Insulation Thickness <sup>a</sup> in. (cm)	Vertical Bracket to Bracket Spacing									
		24" Vertical (609.6mm)		30" Vertical (762mm)		36" Vertical (914.4mm)		42" Vertical (1066.8mm)		48" Vertical (1219.2mm)	
		Effective U-Value BTU/h·ft <sup>2</sup> ·°F (W/m <sup>2</sup> K)	Effective R-Value h·ft <sup>2</sup> ·°F/ BTU (m <sup>2</sup> K/W)	Effective U-Value BTU/h·ft <sup>2</sup> ·°F (W/m <sup>2</sup> K)	Effective R-Value h·ft <sup>2</sup> ·°F/ BTU (m <sup>2</sup> K/W)	Effective U-Value BTU/h·ft <sup>2</sup> ·°F (W/m <sup>2</sup> K)	Effective R-Value h·ft <sup>2</sup> ·°F/ BTU (m <sup>2</sup> K/W)	Effective U-Value BTU/h·ft <sup>2</sup> ·°F (W/m <sup>2</sup> K)	Effective R-Value h·ft <sup>2</sup> ·°F/ BTU (m <sup>2</sup> K/W)	Effective U-Value BTU/h·ft <sup>2</sup> ·°F (W/m <sup>2</sup> K)	Effective R-Value h·ft <sup>2</sup> ·°F/ BTU (m <sup>2</sup> K/W)
16" (406.4mm)		0.38 pcs/ft <sup>2</sup> (bracket) 4.04 pcs/m <sup>2</sup> (bracket)		0.3 pcs/ft <sup>2</sup> (bracket) 3.28 pcs/m <sup>2</sup> (bracket)		0.26 pcs/ft <sup>2</sup> (bracket) 2.78 pcs/m <sup>2</sup> (bracket)		0.23 pcs/ft <sup>2</sup> (bracket) 2.52 pcs/m <sup>2</sup> (bracket)		0.21 pcs/ft <sup>2</sup> (bracket) 2.28 pcs/m <sup>2</sup> (bracket)	
		0.75 ft/ft <sup>2</sup> (rails) 2.46 m/m <sup>2</sup> (rails)									
	4 (10.2)	0.073 (0.414)	13.715 (2.415)	0.069 (0.394)	14.434 (2.541)	0.067 (0.38)	14.956 (2.633)	0.066 (0.373)	15.243 (2.684)	0.064 (0.366)	15.511 (2.731)
	5 (12.7)	0.058 (0.329)	17.253 (3.037)	0.055 (0.314)	18.1 (3.187)	0.053 (0.304)	18.712 (3.294)	0.053 (0.298)	19.047 (3.353)	0.052 (0.293)	19.36 (3.409)
	6 (15.2)	0.046 (0.262)	21.673 (3.816)	0.044 (0.252)	22.55 (3.97)	0.043 (0.245)	23.175 (4.08)	0.043 (0.242)	23.514 (4.14)	0.042 (0.238)	23.829 (4.195)
24" (609.6mm)		0.25 pcs/ft <sup>2</sup> (bracket) 2.69 pcs/m <sup>2</sup> (bracket)		0.2 pcs/ft <sup>2</sup> (bracket) 2.19 pcs/m <sup>2</sup> (bracket)		0.17 pcs/ft <sup>2</sup> (bracket) 1.85 pcs/m <sup>2</sup> (bracket)		0.16 pcs/ft <sup>2</sup> (bracket) 1.68 pcs/m <sup>2</sup> (bracket)		0.14 pcs/ft <sup>2</sup> (bracket) 1.52 pcs/m <sup>2</sup> (bracket)	
		0.5 ft/ft <sup>2</sup> (rails) 1.64 m/m <sup>2</sup> (rails)									
	4 (10.2)	0.066 (0.375)	15.146 (2.666)	0.064 (0.361)	15.722 (2.768)	0.062 (0.352)	16.131 (2.84)	0.061 (0.347)	16.352 (2.879)	0.06 (0.343)	16.557 (2.915)
	5 (12.7)	0.053 (0.3)	18.904 (3.328)	0.051 (0.29)	19.574 (3.446)	0.05 (0.283)	20.046 (3.529)	0.049 (0.28)	20.302 (3.574)	0.049 (0.277)	20.537 (3.616)
	6 (15.2)	0.043 (0.243)	23.349 (4.111)	0.042 (0.236)	24.021 (4.229)	0.041 (0.232)	24.49 (4.312)	0.04 (0.23)	24.741 (4.356)	0.04 (0.227)	24.972 (4.397)
32" (812.8mm)		0.19 pcs/ft <sup>2</sup> (bracket) 2.02 pcs/m <sup>2</sup> (bracket)		0.15 pcs/ft <sup>2</sup> (bracket) 1.64 pcs/m <sup>2</sup> (bracket)		0.13 pcs/ft <sup>2</sup> (bracket) 1.39 pcs/m <sup>2</sup> (bracket)		0.12 pcs/ft <sup>2</sup> (bracket) 1.26 pcs/m <sup>2</sup> (bracket)		0.11 pcs/ft <sup>2</sup> (bracket) 1.14 pcs/m <sup>2</sup> (bracket)	
		0.38 ft/ft <sup>2</sup> (rails) 1.23 m/m <sup>2</sup> (rails)									
	4 (10.2)	0.063 (0.355)	15.979 (2.813)	0.061 (0.345)	16.456 (2.897)	0.06 (0.338)	16.79 (2.956)	0.059 (0.335)	16.969 (2.988)	0.058 (0.331)	17.135 (3.017)
	5 (12.7)	0.05 (0.286)	19.855 (3.496)	0.049 (0.278)	20.404 (3.592)	0.048 (0.273)	20.787 (3.66)	0.048 (0.271)	20.993 (3.696)	0.047 (0.268)	21.181 (3.729)
	6 (15.2)	0.041 (0.234)	24.289 (4.276)	0.04 (0.229)	24.83 (4.372)	0.04 (0.225)	25.204 (4.437)	0.039 (0.224)	25.404 (4.472)	0.039 (0.222)	25.586 (4.505)
40" (1016mm)		0.15 pcs/ft <sup>2</sup> (bracket) 1.61 pcs/m <sup>2</sup> (bracket)		0.12 pcs/ft <sup>2</sup> (bracket) 1.31 pcs/m <sup>2</sup> (bracket)		0.1 pcs/ft <sup>2</sup> (bracket) 1.11 pcs/m <sup>2</sup> (bracket)		0.09 pcs/ft <sup>2</sup> (bracket) 1.01 pcs/m <sup>2</sup> (bracket)		0.08 pcs/ft <sup>2</sup> (bracket) 0.91 pcs/m <sup>2</sup> (bracket)	
		0.3 ft/ft <sup>2</sup> (rails) 0.98 m/m <sup>2</sup> (rails)									
	4 (10.2)	0.061 (0.344)	16.524 (2.909)	0.059 (0.335)	16.931 (2.981)	0.058 (0.33)	17.212 (3.03)	0.058 (0.327)	17.363 (3.057)	0.057 (0.325)	17.501 (3.081)
	5 (12.7)	0.049 (0.277)	20.472 (3.604)	0.048 (0.271)	20.937 (3.686)	0.047 (0.267)	21.259 (3.743)	0.047 (0.265)	21.43 (3.773)	0.046 (0.263)	21.587 (3.801)
	6 (15.2)	0.04 (0.228)	24.89 (4.382)	0.039 (0.224)	25.343 (4.462)	0.039 (0.221)	25.654 (4.517)	0.039 (0.22)	25.819 (4.546)	0.039 (0.219)	25.969 (4.572)

<sup>a</sup>Between insulation thicknesses the values can be interpolated

# R-VALUE TABLES

## Fox VTR Concrete 12" (304.8mm)

**Brackets:** Vertical stainless steel brackets (medium size)

**Base Material:** Concrete 12" (304.8mm)

Horizontal Stud to Stud Spacing	Exterior Insulation Thickness <sup>a</sup> in. (cm)	Vertical Bracket to Bracket Spacing									
		24" Vertical (609.6mm)		30" Vertical (762mm)		36" Vertical (914.4mm)		42" Vertical (1066.8mm)		48" Vertical (1219.2mm)	
		Effective U-Value BTU/h·ft <sup>2</sup> ·°F (W/m <sup>2</sup> K)	Effective R-Value h·ft <sup>2</sup> ·°F/ BTU (m <sup>2</sup> K/W)	Effective U-Value BTU/h·ft <sup>2</sup> ·°F (W/m <sup>2</sup> K)	Effective R-Value h·ft <sup>2</sup> ·°F/ BTU (m <sup>2</sup> K/W)	Effective U-Value BTU/h·ft <sup>2</sup> ·°F (W/m <sup>2</sup> K)	Effective R-Value h·ft <sup>2</sup> ·°F/ BTU (m <sup>2</sup> K/W)	Effective U-Value BTU/h·ft <sup>2</sup> ·°F (W/m <sup>2</sup> K)	Effective R-Value h·ft <sup>2</sup> ·°F/ BTU (m <sup>2</sup> K/W)	Effective U-Value BTU/h·ft <sup>2</sup> ·°F (W/m <sup>2</sup> K)	Effective R-Value h·ft <sup>2</sup> ·°F/ BTU (m <sup>2</sup> K/W)
16" (406.4mm)		0.38 pcs/ft <sup>2</sup> (bracket) 4.04 pcs/m <sup>2</sup> (bracket)		0.3 pcs/ft <sup>2</sup> (bracket) 3.28 pcs/m <sup>2</sup> (bracket)		0.26 pcs/ft <sup>2</sup> (bracket) 2.78 pcs/m <sup>2</sup> (bracket)		0.23 pcs/ft <sup>2</sup> (bracket) 2.52 pcs/m <sup>2</sup> (bracket)		0.21 pcs/ft <sup>2</sup> (bracket) 2.28 pcs/m <sup>2</sup> (bracket)	
		0.75 ft/ft <sup>2</sup> (rails) 2.46 m/m <sup>2</sup> (rails)									
	4 (10.2)	0.073 (0.412)	13.786 (2.427)	0.069 (0.391)	14.512 (2.555)	0.066 (0.378)	15.04 (2.648)	0.065 (0.371)	15.33 (2.699)	0.064 (0.364)	15.602 (2.747)
	5 (12.7)	0.058 (0.328)	17.328 (3.051)	0.055 (0.312)	18.183 (3.201)	0.053 (0.302)	18.8 (3.31)	0.052 (0.297)	19.139 (3.369)	0.051 (0.292)	19.454 (3.425)
	6 (15.2)	0.046 (0.261)	21.757 (3.83)	0.044 (0.251)	22.642 (3.986)	0.043 (0.244)	23.271 (4.097)	0.042 (0.241)	23.614 (4.157)	0.042 (0.237)	23.931 (4.213)
24" (609.6mm)		0.25 pcs/ft <sup>2</sup> (bracket) 2.69 pcs/m <sup>2</sup> (bracket)		0.2 pcs/ft <sup>2</sup> (bracket) 2.19 pcs/m <sup>2</sup> (bracket)		0.17 pcs/ft <sup>2</sup> (bracket) 1.85 pcs/m <sup>2</sup> (bracket)		0.16 pcs/ft <sup>2</sup> (bracket) 1.68 pcs/m <sup>2</sup> (bracket)		0.14 pcs/ft <sup>2</sup> (bracket) 1.52 pcs/m <sup>2</sup> (bracket)	
		0.5 ft/ft <sup>2</sup> (rails) 1.64 m/m <sup>2</sup> (rails)									
	4 (10.2)	0.066 (0.373)	15.231 (2.682)	0.063 (0.359)	15.815 (2.784)	0.062 (0.35)	16.228 (2.857)	0.061 (0.345)	16.452 (2.897)	0.06 (0.341)	16.66 (2.933)
	5 (12.7)	0.053 (0.299)	18.994 (3.344)	0.051 (0.289)	19.67 (3.463)	0.05 (0.282)	20.147 (3.547)	0.049 (0.278)	20.405 (3.592)	0.048 (0.275)	20.643 (3.634)
	6 (15.2)	0.043 (0.242)	23.447 (4.128)	0.041 (0.235)	24.125 (4.247)	0.041 (0.231)	24.597 (4.331)	0.04 (0.229)	24.851 (4.375)	0.04 (0.226)	25.085 (4.416)
32" (812.8mm)		0.19 pcs/ft <sup>2</sup> (bracket) 2.02 pcs/m <sup>2</sup> (bracket)		0.15 pcs/ft <sup>2</sup> (bracket) 1.64 pcs/m <sup>2</sup> (bracket)		0.13 pcs/ft <sup>2</sup> (bracket) 1.39 pcs/m <sup>2</sup> (bracket)		0.12 pcs/ft <sup>2</sup> (bracket) 1.26 pcs/m <sup>2</sup> (bracket)		0.11 pcs/ft <sup>2</sup> (bracket) 1.14 pcs/m <sup>2</sup> (bracket)	
		0.38 ft/ft <sup>2</sup> (rails) 1.23 m/m <sup>2</sup> (rails)									
	4 (10.2)	0.062 (0.353)	16.074 (2.83)	0.06 (0.343)	16.558 (2.915)	0.059 (0.336)	16.896 (2.975)	0.059 (0.333)	17.077 (3.007)	0.058 (0.329)	17.245 (3.036)
	5 (12.7)	0.05 (0.285)	19.954 (3.513)	0.049 (0.277)	20.509 (3.611)	0.048 (0.272)	20.896 (3.679)	0.047 (0.269)	21.103 (3.715)	0.047 (0.267)	21.294 (3.749)
	6 (15.2)	0.041 (0.233)	24.395 (4.295)	0.04 (0.228)	24.941 (4.391)	0.039 (0.224)	25.319 (4.458)	0.039 (0.223)	25.52 (4.493)	0.039 (0.221)	25.704 (4.525)
40" (1016mm)		0.15 pcs/ft <sup>2</sup> (bracket) 1.61 pcs/m <sup>2</sup> (bracket)		0.12 pcs/ft <sup>2</sup> (bracket) 1.31 pcs/m <sup>2</sup> (bracket)		0.1 pcs/ft <sup>2</sup> (bracket) 1.11 pcs/m <sup>2</sup> (bracket)		0.09 pcs/ft <sup>2</sup> (bracket) 1.01 pcs/m <sup>2</sup> (bracket)		0.08 pcs/ft <sup>2</sup> (bracket) 0.91 pcs/m <sup>2</sup> (bracket)	
		0.3 ft/ft <sup>2</sup> (rails) 0.98 m/m <sup>2</sup> (rails)									
	4 (10.2)	0.06 (0.342)	16.626 (2.927)	0.059 (0.333)	17.038 (3)	0.058 (0.328)	17.323 (3.05)	0.057 (0.325)	17.476 (3.077)	0.057 (0.322)	17.616 (3.101)
	5 (12.7)	0.049 (0.276)	20.577 (3.623)	0.048 (0.27)	21.047 (3.706)	0.047 (0.266)	21.372 (3.763)	0.046 (0.264)	21.546 (3.793)	0.046 (0.262)	21.704 (3.821)
	6 (15.2)	0.04 (0.227)	25.001 (4.402)	0.039 (0.223)	25.459 (4.482)	0.039 (0.22)	25.772 (4.537)	0.039 (0.219)	25.939 (4.567)	0.038 (0.218)	26.091 (4.593)

<sup>a</sup>Between insulation thicknesses the values can be interpolated

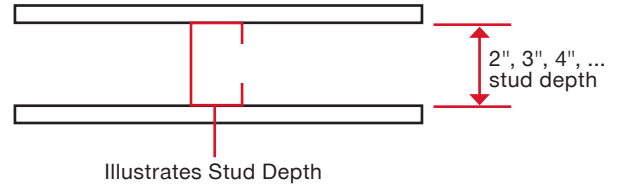


# R-VALUE TABLES

## Fox VTR Metal Studs (Insulated) 2" (50.8mm)

**Brackets:** Vertical stainless steel brackets (medium size)

**Base Material:** Metal studs (insulated)



Horizontal Stud to Stud Spacing	Exterior Insulation Thickness <sup>1</sup> in. (cm)	Vertical Bracket to Bracket Spacing									
		24" Vertical (609.6mm)		30" Vertical (762mm)		36" Vertical (914.4mm)		42" Vertical (1066.8mm)		48" Vertical (1219.2mm)	
		Effective U-Value BTU/h*ft <sup>2</sup> *°F (W/m <sup>2</sup> K)	Effective R-Value h*ft <sup>2</sup> *°F/ BTU (m <sup>2</sup> K/W)	Effective U-Value BTU/h*ft <sup>2</sup> *°F (W/m <sup>2</sup> K)	Effective R-Value h*ft <sup>2</sup> *°F/ BTU (m <sup>2</sup> K/W)	Effective U-Value BTU/h*ft <sup>2</sup> *°F (W/m <sup>2</sup> K)	Effective R-Value h*ft <sup>2</sup> *°F/ BTU (m <sup>2</sup> K/W)	Effective U-Value BTU/h*ft <sup>2</sup> *°F (W/m <sup>2</sup> K)	Effective R-Value h*ft <sup>2</sup> *°F/ BTU (m <sup>2</sup> K/W)	Effective U-Value BTU/h*ft <sup>2</sup> *°F (W/m <sup>2</sup> K)	Effective R-Value h*ft <sup>2</sup> *°F/ BTU (m <sup>2</sup> K/W)
16" (406.4mm)		0.38 pcs/ft <sup>2</sup> (bracket) 4.04 pcs/m <sup>2</sup> (bracket)		0.3 pcs/ft <sup>2</sup> (bracket) 3.28 pcs/m <sup>2</sup> (bracket)		0.26 pcs/ft <sup>2</sup> (bracket) 2.78 pcs/m <sup>2</sup> (bracket)		0.23 pcs/ft <sup>2</sup> (bracket) 2.52 pcs/m <sup>2</sup> (bracket)		0.21 pcs/ft <sup>2</sup> (bracket) 2.28 pcs/m <sup>2</sup> (bracket)	
		0.75 ft/ft <sup>2</sup> (rails) 2.46 m/m <sup>2</sup> (rails)									
	4 (10.2)	0.047 (0.265)	21.401 (3.768)	0.045 (0.256)	22.197 (3.908)	0.044 (0.25)	22.761 (4.007)	0.043 (0.246)	23.066 (4.061)	0.043 (0.243)	23.348 (4.111)
	5 (12.7)	0.04 (0.228)	24.92 (4.387)	0.039 (0.22)	25.864 (4.553)	0.038 (0.214)	26.532 (4.671)	0.037 (0.211)	26.894 (4.735)	0.037 (0.209)	27.229 (4.794)
6 (15.2)	0.035 (0.199)	28.592 (5.034)	0.034 (0.191)	29.664 (5.222)	0.033 (0.187)	30.422 (5.356)	0.032 (0.184)	30.834 (5.428)	0.032 (0.182)	31.214 (5.495)	
24" (609.6mm)		0.25 pcs/ft <sup>2</sup> (bracket) 2.69 pcs/m <sup>2</sup> (bracket)		0.2 pcs/ft <sup>2</sup> (bracket) 2.19 pcs/m <sup>2</sup> (bracket)		0.17 pcs/ft <sup>2</sup> (bracket) 1.85 pcs/m <sup>2</sup> (bracket)		0.16 pcs/ft <sup>2</sup> (bracket) 1.68 pcs/m <sup>2</sup> (bracket)		0.14 pcs/ft <sup>2</sup> (bracket) 1.52 pcs/m <sup>2</sup> (bracket)	
		0.5 ft/ft <sup>2</sup> (rails) 1.64 m/m <sup>2</sup> (rails)									
	4 (10.2)	0.043 (0.246)	23.082 (4.064)	0.042 (0.24)	23.693 (4.171)	0.041 (0.236)	24.118 (4.246)	0.041 (0.233)	24.346 (4.286)	0.041 (0.231)	24.554 (4.323)
	5 (12.7)	0.037 (0.212)	26.816 (4.721)	0.036 (0.206)	27.536 (4.848)	0.036 (0.203)	28.038 (4.936)	0.035 (0.201)	28.306 (4.983)	0.035 (0.199)	28.553 (5.027)
6 (15.2)	0.033 (0.185)	30.666 (5.399)	0.032 (0.18)	31.479 (5.542)	0.031 (0.177)	32.045 (5.642)	0.031 (0.176)	32.348 (5.695)	0.031 (0.174)	32.626 (5.744)	
32" (812.8mm)		0.19 pcs/ft <sup>2</sup> (bracket) 2.02 pcs/m <sup>2</sup> (bracket)		0.15 pcs/ft <sup>2</sup> (bracket) 1.64 pcs/m <sup>2</sup> (bracket)		0.13 pcs/ft <sup>2</sup> (bracket) 1.39 pcs/m <sup>2</sup> (bracket)		0.12 pcs/ft <sup>2</sup> (bracket) 1.26 pcs/m <sup>2</sup> (bracket)		0.11 pcs/ft <sup>2</sup> (bracket) 1.14 pcs/m <sup>2</sup> (bracket)	
		0.38 ft/ft <sup>2</sup> (rails) 1.23 m/m <sup>2</sup> (rails)									
	4 (10.2)	0.042 (0.236)	24.026 (4.23)	0.041 (0.232)	24.519 (4.317)	0.04 (0.228)	24.859 (4.377)	0.04 (0.227)	25.04 (4.409)	0.04 (0.225)	25.206 (4.438)
	5 (12.7)	0.036 (0.204)	27.876 (4.908)	0.035 (0.2)	28.457 (5.01)	0.035 (0.197)	28.857 (5.08)	0.034 (0.195)	29.069 (5.118)	0.034 (0.194)	29.264 (5.152)
6 (15.2)	0.031 (0.179)	31.82 (5.602)	0.031 (0.175)	32.473 (5.717)	0.03 (0.173)	32.923 (5.796)	0.03 (0.171)	33.162 (5.838)	0.03 (0.17)	33.381 (5.877)	
40" (1016mm)		0.15 pcs/ft <sup>2</sup> (bracket) 1.61 pcs/m <sup>2</sup> (bracket)		0.12 pcs/ft <sup>2</sup> (bracket) 1.31 pcs/m <sup>2</sup> (bracket)		0.1 pcs/ft <sup>2</sup> (bracket) 1.11 pcs/m <sup>2</sup> (bracket)		0.09 pcs/ft <sup>2</sup> (bracket) 1.01 pcs/m <sup>2</sup> (bracket)		0.08 pcs/ft <sup>2</sup> (bracket) 0.91 pcs/m <sup>2</sup> (bracket)	
		0.3 ft/ft <sup>2</sup> (rails) 0.98 m/m <sup>2</sup> (rails)									
	4 (10.2)	0.041 (0.231)	24.63 (4.336)	0.04 (0.227)	25.043 (4.409)	0.039 (0.224)	25.326 (4.459)	0.039 (0.223)	25.476 (4.485)	0.039 (0.222)	25.613 (4.509)
	5 (12.7)	0.035 (0.199)	28.554 (5.027)	0.034 (0.196)	29.039 (5.113)	0.034 (0.193)	29.371 (5.171)	0.034 (0.192)	29.547 (5.202)	0.034 (0.191)	29.708 (5.23)
6 (15.2)	0.031 (0.174)	32.556 (5.732)	0.03 (0.172)	33.1 (5.828)	0.03 (0.17)	33.473 (5.893)	0.03 (0.169)	33.671 (5.928)	0.03 (0.168)	33.851 (5.96)	

<sup>1</sup>Between insulation thicknesses the values can be interpolated

# R-VALUE TABLES

## Fox VTR Metal Studs (Insulated) 3" (76.2mm)

**Brackets:** Vertical stainless steel brackets (medium size)

**Base Material:** Metal studs (insulated)

Horizontal Stud to Stud Spacing	Exterior Insulation Thickness* in. (cm)	Vertical Bracket to Bracket Spacing									
		24" Vertical (609.6mm)		30" Vertical (762mm)		36" Vertical (914.4mm)		42" Vertical (1066.8mm)		48" Vertical (1219.2mm)	
		Effective U-Value BTU/h*ft <sup>2</sup> *°F (W/m <sup>2</sup> K)	Effective R-Value h*ft <sup>2</sup> *°F/ BTU (m <sup>2</sup> K/W)	Effective U-Value BTU/h*ft <sup>2</sup> *°F (W/m <sup>2</sup> K)	Effective R-Value h*ft <sup>2</sup> *°F/ BTU (m <sup>2</sup> K/W)	Effective U-Value BTU/h*ft <sup>2</sup> *°F (W/m <sup>2</sup> K)	Effective R-Value h*ft <sup>2</sup> *°F/ BTU (m <sup>2</sup> K/W)	Effective U-Value BTU/h*ft <sup>2</sup> *°F (W/m <sup>2</sup> K)	Effective R-Value h*ft <sup>2</sup> *°F/ BTU (m <sup>2</sup> K/W)	Effective U-Value BTU/h*ft <sup>2</sup> *°F (W/m <sup>2</sup> K)	Effective R-Value h*ft <sup>2</sup> *°F/ BTU (m <sup>2</sup> K/W)
16" (406.4mm)		0.38 pcs/ft <sup>2</sup> (bracket) 4.04 pcs/m <sup>2</sup> (bracket)		0.3 pcs/ft <sup>2</sup> (bracket) 3.28 pcs/m <sup>2</sup> (bracket)		0.26 pcs/ft <sup>2</sup> (bracket) 2.78 pcs/m <sup>2</sup> (bracket)		0.23 pcs/ft <sup>2</sup> (bracket) 2.52 pcs/m <sup>2</sup> (bracket)		0.21 pcs/ft <sup>2</sup> (bracket) 2.28 pcs/m <sup>2</sup> (bracket)	
		0.75 ft/ft <sup>2</sup> (rails) 2.46 m/m <sup>2</sup> (rails)									
	4 (10.2)	0.038 (0.219)	25.995 (4.577)	0.037 (0.21)	27.081 (4.768)	0.036 (0.204)	27.856 (4.904)	0.035 (0.201)	28.277 (4.978)	0.035 (0.198)	28.668 (5.047)
	5 (12.7)	0.034 (0.191)	29.764 (5.24)	0.032 (0.183)	30.991 (5.456)	0.031 (0.178)	31.865 (5.61)	0.031 (0.176)	32.34 (5.694)	0.031 (0.173)	32.781 (5.771)
	6 (15.2)	0.03 (0.17)	33.339 (5.869)	0.029 (0.164)	34.725 (6.113)	0.028 (0.159)	35.713 (6.287)	0.028 (0.157)	36.25 (6.382)	0.027 (0.155)	36.749 (6.47)
24" (609.6mm)		0.25 pcs/ft <sup>2</sup> (bracket) 2.69 pcs/m <sup>2</sup> (bracket)		0.2 pcs/ft <sup>2</sup> (bracket) 2.19 pcs/m <sup>2</sup> (bracket)		0.17 pcs/ft <sup>2</sup> (bracket) 1.85 pcs/m <sup>2</sup> (bracket)		0.16 pcs/ft <sup>2</sup> (bracket) 1.68 pcs/m <sup>2</sup> (bracket)		0.14 pcs/ft <sup>2</sup> (bracket) 1.52 pcs/m <sup>2</sup> (bracket)	
		0.5 ft/ft <sup>2</sup> (rails) 1.64 m/m <sup>2</sup> (rails)									
	4 (10.2)	0.035 (0.201)	28.326 (4.987)	0.034 (0.195)	29.176 (5.137)	0.034 (0.191)	29.771 (5.241)	0.033 (0.189)	30.091 (5.298)	0.033 (0.187)	30.385 (5.349)
	5 (12.7)	0.031 (0.176)	32.26 (5.68)	0.03 (0.171)	33.21 (5.847)	0.03 (0.168)	33.874 (5.964)	0.029 (0.166)	34.231 (6.027)	0.029 (0.164)	34.559 (6.084)
	6 (15.2)	0.028 (0.158)	36.039 (6.345)	0.027 (0.153)	37.106 (6.533)	0.026 (0.15)	37.852 (6.664)	0.026 (0.148)	38.253 (6.735)	0.026 (0.147)	38.622 (6.8)
32" (812.8mm)		0.19 pcs/ft <sup>2</sup> (bracket) 2.02 pcs/m <sup>2</sup> (bracket)		0.15 pcs/ft <sup>2</sup> (bracket) 1.64 pcs/m <sup>2</sup> (bracket)		0.13 pcs/ft <sup>2</sup> (bracket) 1.39 pcs/m <sup>2</sup> (bracket)		0.12 pcs/ft <sup>2</sup> (bracket) 1.26 pcs/m <sup>2</sup> (bracket)		0.11 pcs/ft <sup>2</sup> (bracket) 1.14 pcs/m <sup>2</sup> (bracket)	
		0.38 ft/ft <sup>2</sup> (rails) 1.23 m/m <sup>2</sup> (rails)									
	4 (10.2)	0.034 (0.192)	29.656 (5.221)	0.033 (0.187)	30.351 (5.343)	0.032 (0.184)	30.831 (5.428)	0.032 (0.183)	31.088 (5.473)	0.032 (0.181)	31.323 (5.515)
	5 (12.7)	0.03 (0.169)	33.672 (5.928)	0.029 (0.165)	34.443 (6.064)	0.029 (0.162)	34.977 (6.158)	0.028 (0.161)	35.261 (6.208)	0.028 (0.16)	35.522 (6.254)
	6 (15.2)	0.027 (0.151)	37.56 (6.613)	0.026 (0.148)	38.424 (6.765)	0.026 (0.146)	39.021 (6.87)	0.025 (0.144)	39.34 (6.926)	0.025 (0.143)	39.632 (6.977)
40" (1016mm)		0.15 pcs/ft <sup>2</sup> (bracket) 1.61 pcs/m <sup>2</sup> (bracket)		0.12 pcs/ft <sup>2</sup> (bracket) 1.31 pcs/m <sup>2</sup> (bracket)		0.1 pcs/ft <sup>2</sup> (bracket) 1.11 pcs/m <sup>2</sup> (bracket)		0.09 pcs/ft <sup>2</sup> (bracket) 1.01 pcs/m <sup>2</sup> (bracket)		0.08 pcs/ft <sup>2</sup> (bracket) 0.91 pcs/m <sup>2</sup> (bracket)	
		0.3 ft/ft <sup>2</sup> (rails) 0.98 m/m <sup>2</sup> (rails)									
	4 (10.2)	0.033 (0.186)	30.516 (5.373)	0.032 (0.183)	31.102 (5.476)	0.032 (0.18)	31.504 (5.547)	0.032 (0.179)	31.718 (5.584)	0.031 (0.178)	31.914 (5.619)
	5 (12.7)	0.029 (0.164)	34.58 (6.088)	0.028 (0.161)	35.228 (6.202)	0.028 (0.159)	35.673 (6.281)	0.028 (0.158)	35.91 (6.322)	0.028 (0.157)	36.126 (6.36)
	6 (15.2)	0.026 (0.147)	38.536 (6.784)	0.025 (0.145)	39.26 (6.912)	0.025 (0.143)	39.758 (7)	0.025 (0.142)	40.022 (7.046)	0.025 (0.141)	40.263 (7.089)

\*Between insulation thicknesses the values can be interpolated

# R-VALUE TABLES

## Fox VTR Metal Studs (Insulated) 4" (101.6mm)

**Brackets:** Vertical stainless steel brackets (medium size)

**Base Material:** Metal studs (insulated)

Horizontal Stud to Stud Spacing	Exterior Insulation Thickness* in. (cm)	Vertical Bracket to Bracket Spacing									
		24" Vertical (609.6mm)		30" Vertical (762mm)		36" Vertical (914.4mm)		42" Vertical (1066.8mm)		48" Vertical (1219.2mm)	
		Effective U-Value BTU/h*ft <sup>2</sup> *°F (W/m <sup>2</sup> K)	Effective R-Value h*ft <sup>2</sup> *°F/ BTU (m <sup>2</sup> K/W)	Effective U-Value BTU/h*ft <sup>2</sup> *°F (W/m <sup>2</sup> K)	Effective R-Value h*ft <sup>2</sup> *°F/ BTU (m <sup>2</sup> K/W)	Effective U-Value BTU/h*ft <sup>2</sup> *°F (W/m <sup>2</sup> K)	Effective R-Value h*ft <sup>2</sup> *°F/ BTU (m <sup>2</sup> K/W)	Effective U-Value BTU/h*ft <sup>2</sup> *°F (W/m <sup>2</sup> K)	Effective R-Value h*ft <sup>2</sup> *°F/ BTU (m <sup>2</sup> K/W)	Effective U-Value BTU/h*ft <sup>2</sup> *°F (W/m <sup>2</sup> K)	Effective R-Value h*ft <sup>2</sup> *°F/ BTU (m <sup>2</sup> K/W)
16" (406.4mm)		0.38 pcs/ft <sup>2</sup> (bracket) 4.04 pcs/m <sup>2</sup> (bracket)		0.3 pcs/ft <sup>2</sup> (bracket) 3.28 pcs/m <sup>2</sup> (bracket)		0.26 pcs/ft <sup>2</sup> (bracket) 2.78 pcs/m <sup>2</sup> (bracket)		0.23 pcs/ft <sup>2</sup> (bracket) 2.52 pcs/m <sup>2</sup> (bracket)		0.21 pcs/ft <sup>2</sup> (bracket) 2.28 pcs/m <sup>2</sup> (bracket)	
		0.75 ft/ft <sup>2</sup> (rails) 2.46 m/m <sup>2</sup> (rails)									
	4 (10.2)	0.032 (0.182)	31.209 (5.495)	0.031 (0.174)	32.631 (5.745)	0.03 (0.169)	33.652 (5.925)	0.029 (0.166)	34.21 (6.023)	0.029 (0.164)	34.728 (6.114)
	5 (12.7)	0.028 (0.162)	35.144 (6.187)	0.027 (0.155)	36.723 (6.465)	0.026 (0.15)	37.855 (6.665)	0.026 (0.148)	38.473 (6.773)	0.026 (0.145)	39.048 (6.875)
	6 (15.2)	0.026 (0.147)	38.568 (6.79)	0.025 (0.141)	40.348 (7.104)	0.024 (0.136)	41.627 (7.329)	0.024 (0.134)	42.326 (7.452)	0.023 (0.132)	42.977 (7.566)
24" (609.6mm)		0.25 pcs/ft <sup>2</sup> (bracket) 2.69 pcs/m <sup>2</sup> (bracket)		0.2 pcs/ft <sup>2</sup> (bracket) 2.19 pcs/m <sup>2</sup> (bracket)		0.17 pcs/ft <sup>2</sup> (bracket) 1.85 pcs/m <sup>2</sup> (bracket)		0.16 pcs/ft <sup>2</sup> (bracket) 1.68 pcs/m <sup>2</sup> (bracket)		0.14 pcs/ft <sup>2</sup> (bracket) 1.52 pcs/m <sup>2</sup> (bracket)	
		0.5 ft/ft <sup>2</sup> (rails) 1.64 m/m <sup>2</sup> (rails)									
	4 (10.2)	0.029 (0.165)	34.322 (6.043)	0.028 (0.16)	35.455 (6.242)	0.028 (0.157)	36.251 (6.382)	0.027 (0.155)	36.681 (6.458)	0.027 (0.153)	37.076 (6.528)
	5 (12.7)	0.026 (0.148)	38.396 (6.76)	0.025 (0.143)	39.638 (6.978)	0.025 (0.14)	40.51 (7.132)	0.024 (0.139)	40.979 (7.215)	0.024 (0.137)	41.412 (7.291)
	6 (15.2)	0.024 (0.135)	42.06 (7.405)	0.023 (0.131)	43.454 (7.65)	0.023 (0.128)	44.434 (7.823)	0.022 (0.126)	44.962 (7.916)	0.022 (0.125)	45.45 (8.002)
32" (812.8mm)		0.19 pcs/ft <sup>2</sup> (bracket) 2.02 pcs/m <sup>2</sup> (bracket)		0.15 pcs/ft <sup>2</sup> (bracket) 1.64 pcs/m <sup>2</sup> (bracket)		0.13 pcs/ft <sup>2</sup> (bracket) 1.39 pcs/m <sup>2</sup> (bracket)		0.12 pcs/ft <sup>2</sup> (bracket) 1.26 pcs/m <sup>2</sup> (bracket)		0.11 pcs/ft <sup>2</sup> (bracket) 1.14 pcs/m <sup>2</sup> (bracket)	
		0.38 ft/ft <sup>2</sup> (rails) 1.23 m/m <sup>2</sup> (rails)									
	4 (10.2)	0.028 (0.157)	36.123 (6.36)	0.027 (0.153)	37.058 (6.524)	0.027 (0.151)	37.707 (6.639)	0.026 (0.149)	38.055 (6.7)	0.026 (0.148)	38.374 (6.756)
	5 (12.7)	0.025 (0.141)	40.259 (7.088)	0.024 (0.138)	41.276 (7.267)	0.024 (0.135)	41.982 (7.391)	0.024 (0.134)	42.359 (7.458)	0.023 (0.133)	42.705 (7.518)
	6 (15.2)	0.023 (0.129)	44.054 (7.756)	0.022 (0.126)	45.193 (7.957)	0.022 (0.124)	45.984 (8.096)	0.022 (0.122)	46.408 (8.17)	0.021 (0.121)	46.796 (8.239)
40" (1016mm)		0.15 pcs/ft <sup>2</sup> (bracket) 1.61 pcs/m <sup>2</sup> (bracket)		0.12 pcs/ft <sup>2</sup> (bracket) 1.31 pcs/m <sup>2</sup> (bracket)		0.1 pcs/ft <sup>2</sup> (bracket) 1.11 pcs/m <sup>2</sup> (bracket)		0.09 pcs/ft <sup>2</sup> (bracket) 1.01 pcs/m <sup>2</sup> (bracket)		0.08 pcs/ft <sup>2</sup> (bracket) 0.91 pcs/m <sup>2</sup> (bracket)	
		0.3 ft/ft <sup>2</sup> (rails) 0.98 m/m <sup>2</sup> (rails)									
	4 (10.2)	0.027 (0.152)	37.298 (6.566)	0.026 (0.149)	38.091 (6.706)	0.026 (0.147)	38.639 (6.803)	0.026 (0.146)	38.93 (6.854)	0.026 (0.145)	39.197 (6.901)
	5 (12.7)	0.024 (0.137)	41.466 (7.3)	0.024 (0.134)	42.325 (7.452)	0.023 (0.132)	42.917 (7.556)	0.023 (0.131)	43.232 (7.611)	0.023 (0.131)	43.52 (7.662)
	6 (15.2)	0.022 (0.125)	45.344 (7.983)	0.022 (0.123)	46.305 (8.152)	0.021 (0.121)	46.968 (8.269)	0.021 (0.12)	47.32 (8.331)	0.021 (0.119)	47.643 (8.388)

\*Between insulation thicknesses the values can be interpolated

# R-VALUE TABLES

## Fox VTR Metal Studs (Insulated) 5" (127mm)

**Brackets:** Vertical stainless steel brackets (medium size)

**Base Material:** Metal studs (insulated)

Horizontal Stud to Stud Spacing	Exterior Insulation Thickness* in. (cm)	Vertical Bracket to Bracket Spacing									
		24" Vertical (609.6mm)		30" Vertical (762mm)		36" Vertical (914.4mm)		42" Vertical (1066.8mm)		48" Vertical (1219.2mm)	
		Effective U-Value BTU/h*ft <sup>2</sup> *°F (W/m <sup>2</sup> K)	Effective R-Value h*ft <sup>2</sup> *°F/ BTU (m <sup>2</sup> K/W)	Effective U-Value BTU/h*ft <sup>2</sup> *°F (W/m <sup>2</sup> K)	Effective R-Value h*ft <sup>2</sup> *°F/ BTU (m <sup>2</sup> K/W)	Effective U-Value BTU/h*ft <sup>2</sup> *°F (W/m <sup>2</sup> K)	Effective R-Value h*ft <sup>2</sup> *°F/ BTU (m <sup>2</sup> K/W)	Effective U-Value BTU/h*ft <sup>2</sup> *°F (W/m <sup>2</sup> K)	Effective R-Value h*ft <sup>2</sup> *°F/ BTU (m <sup>2</sup> K/W)	Effective U-Value BTU/h*ft <sup>2</sup> *°F (W/m <sup>2</sup> K)	Effective R-Value h*ft <sup>2</sup> *°F/ BTU (m <sup>2</sup> K/W)
16" (406.4mm)		0.38 pcs/ft <sup>2</sup> (bracket) 4.04 pcs/m <sup>2</sup> (bracket)		0.3 pcs/ft <sup>2</sup> (bracket) 3.28 pcs/m <sup>2</sup> (bracket)		0.26 pcs/ft <sup>2</sup> (bracket) 2.78 pcs/m <sup>2</sup> (bracket)		0.23 pcs/ft <sup>2</sup> (bracket) 2.52 pcs/m <sup>2</sup> (bracket)		0.21 pcs/ft <sup>2</sup> (bracket) 2.28 pcs/m <sup>2</sup> (bracket)	
		0.75 ft/ft <sup>2</sup> (rails) 2.46 m/m <sup>2</sup> (rails)									
	4 (10.2)	0.03 (0.171)	33.286 (5.86)	0.029 (0.163)	34.926 (6.149)	0.028 (0.157)	36.109 (6.357)	0.027 (0.155)	36.758 (6.471)	0.027 (0.152)	37.364 (6.578)
	5 (12.7)	0.026 (0.15)	37.768 (6.649)	0.025 (0.144)	39.526 (6.959)	0.025 (0.139)	40.789 (7.181)	0.024 (0.137)	41.479 (7.303)	0.024 (0.135)	42.122 (7.416)
	6 (15.2)	0.024 (0.138)	41.236 (7.26)	0.023 (0.131)	43.203 (7.606)	0.022 (0.127)	44.62 (7.856)	0.022 (0.125)	45.395 (7.992)	0.022 (0.123)	46.118 (8.119)
24" (609.6mm)		0.25 pcs/ft <sup>2</sup> (bracket) 2.69 pcs/m <sup>2</sup> (bracket)		0.2 pcs/ft <sup>2</sup> (bracket) 2.19 pcs/m <sup>2</sup> (bracket)		0.17 pcs/ft <sup>2</sup> (bracket) 1.85 pcs/m <sup>2</sup> (bracket)		0.16 pcs/ft <sup>2</sup> (bracket) 1.68 pcs/m <sup>2</sup> (bracket)		0.14 pcs/ft <sup>2</sup> (bracket) 1.52 pcs/m <sup>2</sup> (bracket)	
		0.5 ft/ft <sup>2</sup> (rails) 1.64 m/m <sup>2</sup> (rails)									
	4 (10.2)	0.027 (0.154)	36.883 (6.494)	0.026 (0.149)	38.208 (6.727)	0.026 (0.145)	39.144 (6.891)	0.025 (0.143)	39.649 (6.981)	0.025 (0.142)	40.117 (7.063)
	5 (12.7)	0.024 (0.137)	41.408 (7.29)	0.023 (0.133)	42.799 (7.535)	0.023 (0.13)	43.777 (7.707)	0.023 (0.128)	44.305 (7.8)	0.022 (0.127)	44.792 (7.886)
	6 (15.2)	0.022 (0.126)	45.108 (7.942)	0.021 (0.122)	46.657 (8.214)	0.021 (0.119)	47.749 (8.406)	0.021 (0.118)	48.338 (8.51)	0.02 (0.116)	48.882 (8.606)
32" (812.8mm)		0.19 pcs/ft <sup>2</sup> (bracket) 2.02 pcs/m <sup>2</sup> (bracket)		0.15 pcs/ft <sup>2</sup> (bracket) 1.64 pcs/m <sup>2</sup> (bracket)		0.13 pcs/ft <sup>2</sup> (bracket) 1.39 pcs/m <sup>2</sup> (bracket)		0.12 pcs/ft <sup>2</sup> (bracket) 1.26 pcs/m <sup>2</sup> (bracket)		0.11 pcs/ft <sup>2</sup> (bracket) 1.14 pcs/m <sup>2</sup> (bracket)	
		0.38 ft/ft <sup>2</sup> (rails) 1.23 m/m <sup>2</sup> (rails)									
	4 (10.2)	0.026 (0.146)	38.99 (6.864)	0.025 (0.142)	40.092 (7.058)	0.024 (0.139)	40.86 (7.194)	0.024 (0.138)	41.273 (7.266)	0.024 (0.136)	41.652 (7.333)
	5 (12.7)	0.023 (0.131)	43.504 (7.659)	0.022 (0.127)	44.648 (7.86)	0.022 (0.125)	45.442 (8)	0.022 (0.124)	45.868 (8.075)	0.022 (0.123)	46.258 (8.144)
	6 (15.2)	0.021 (0.12)	47.33 (8.333)	0.021 (0.117)	48.6 (8.556)	0.02 (0.115)	49.484 (8.712)	0.02 (0.114)	49.957 (8.795)	0.02 (0.113)	50.392 (8.872)
40" (1016mm)		0.15 pcs/ft <sup>2</sup> (bracket) 1.61 pcs/m <sup>2</sup> (bracket)		0.12 pcs/ft <sup>2</sup> (bracket) 1.31 pcs/m <sup>2</sup> (bracket)		0.1 pcs/ft <sup>2</sup> (bracket) 1.11 pcs/m <sup>2</sup> (bracket)		0.09 pcs/ft <sup>2</sup> (bracket) 1.01 pcs/m <sup>2</sup> (bracket)		0.08 pcs/ft <sup>2</sup> (bracket) 0.91 pcs/m <sup>2</sup> (bracket)	
		0.3 ft/ft <sup>2</sup> (rails) 0.98 m/m <sup>2</sup> (rails)									
	4 (10.2)	0.025 (0.141)	40.373 (7.108)	0.024 (0.137)	41.314 (7.274)	0.024 (0.135)	41.965 (7.388)	0.024 (0.134)	42.312 (7.449)	0.023 (0.133)	42.63 (7.505)
	5 (12.7)	0.022 (0.127)	44.867 (7.899)	0.022 (0.124)	45.836 (8.07)	0.022 (0.122)	46.504 (8.187)	0.021 (0.121)	46.859 (8.25)	0.021 (0.12)	47.185 (8.307)
	6 (15.2)	0.021 (0.116)	48.772 (8.587)	0.02 (0.114)	49.846 (8.776)	0.02 (0.112)	50.587 (8.906)	0.02 (0.111)	50.982 (8.976)	0.019 (0.111)	51.343 (9.039)

\*Between insulation thicknesses the values can be interpolated

# R-VALUE TABLES

## Fox VTR Metal Studs (Insulated) 6" (152.4mm)

**Brackets:** Vertical stainless steel brackets (medium size)

**Base Material:** Metal studs (insulated)

Horizontal Stud to Stud Spacing	Exterior Insulation Thickness* in. (cm)	Vertical Bracket to Bracket Spacing									
		24" Vertical (609.6mm)		30" Vertical (762mm)		36" Vertical (914.4mm)		42" Vertical (1066.8mm)		48" Vertical (1219.2mm)	
		Effective U-Value BTU/h*ft <sup>2</sup> *°F (W/m <sup>2</sup> K)	Effective R-Value h*ft <sup>2</sup> *°F/ BTU (m <sup>2</sup> K/W)	Effective U-Value BTU/h*ft <sup>2</sup> *°F (W/m <sup>2</sup> K)	Effective R-Value h*ft <sup>2</sup> *°F/ BTU (m <sup>2</sup> K/W)	Effective U-Value BTU/h*ft <sup>2</sup> *°F (W/m <sup>2</sup> K)	Effective R-Value h*ft <sup>2</sup> *°F/ BTU (m <sup>2</sup> K/W)	Effective U-Value BTU/h*ft <sup>2</sup> *°F (W/m <sup>2</sup> K)	Effective R-Value h*ft <sup>2</sup> *°F/ BTU (m <sup>2</sup> K/W)	Effective U-Value BTU/h*ft <sup>2</sup> *°F (W/m <sup>2</sup> K)	Effective R-Value h*ft <sup>2</sup> *°F/ BTU (m <sup>2</sup> K/W)
16" (406.4mm)		0.38 pcs/ft <sup>2</sup> (bracket) 4.04 pcs/m <sup>2</sup> (bracket)		0.3 pcs/ft <sup>2</sup> (bracket) 3.28 pcs/m <sup>2</sup> (bracket)		0.26 pcs/ft <sup>2</sup> (bracket) 2.78 pcs/m <sup>2</sup> (bracket)		0.23 pcs/ft <sup>2</sup> (bracket) 2.52 pcs/m <sup>2</sup> (bracket)		0.21 pcs/ft <sup>2</sup> (bracket) 2.28 pcs/m <sup>2</sup> (bracket)	
		0.75 ft/ft <sup>2</sup> (rails) 2.46 m/m <sup>2</sup> (rails)									
	4 (10.2)	0.028 (0.161)	35.236 (6.203)	0.027 (0.153)	37.096 (6.531)	0.026 (0.148)	38.447 (6.769)	0.026 (0.145)	39.191 (6.9)	0.025 (0.142)	39.887 (7.022)
	5 (12.7)	0.025 (0.141)	40.387 (7.11)	0.024 (0.134)	42.319 (7.451)	0.023 (0.13)	43.711 (7.696)	0.022 (0.128)	44.474 (7.83)	0.022 (0.126)	45.184 (7.955)
	6 (15.2)	0.023 (0.129)	43.903 (7.729)	0.022 (0.123)	46.054 (8.108)	0.021 (0.119)	47.607 (8.382)	0.021 (0.117)	48.459 (8.531)	0.02 (0.115)	49.253 (8.671)
24" (609.6mm)		0.25 pcs/ft <sup>2</sup> (bracket) 2.69 pcs/m <sup>2</sup> (bracket)		0.2 pcs/ft <sup>2</sup> (bracket) 2.19 pcs/m <sup>2</sup> (bracket)		0.17 pcs/ft <sup>2</sup> (bracket) 1.85 pcs/m <sup>2</sup> (bracket)		0.16 pcs/ft <sup>2</sup> (bracket) 1.68 pcs/m <sup>2</sup> (bracket)		0.14 pcs/ft <sup>2</sup> (bracket) 1.52 pcs/m <sup>2</sup> (bracket)	
		0.5 ft/ft <sup>2</sup> (rails) 1.64 m/m <sup>2</sup> (rails)									
	4 (10.2)	0.025 (0.144)	39.328 (6.924)	0.024 (0.139)	40.853 (7.192)	0.024 (0.135)	41.935 (7.383)	0.024 (0.134)	42.522 (7.486)	0.023 (0.132)	43.065 (7.582)
	5 (12.7)	0.023 (0.128)	44.413 (7.819)	0.022 (0.124)	45.951 (8.09)	0.021 (0.121)	47.036 (8.281)	0.021 (0.119)	47.621 (8.384)	0.021 (0.118)	48.162 (8.479)
	6 (15.2)	0.021 (0.118)	48.153 (8.478)	0.02 (0.114)	49.856 (8.778)	0.02 (0.111)	51.058 (8.989)	0.019 (0.11)	51.708 (9.103)	0.019 (0.109)	52.308 (9.209)
32" (812.8mm)		0.19 pcs/ft <sup>2</sup> (bracket) 2.02 pcs/m <sup>2</sup> (bracket)		0.15 pcs/ft <sup>2</sup> (bracket) 1.64 pcs/m <sup>2</sup> (bracket)		0.13 pcs/ft <sup>2</sup> (bracket) 1.39 pcs/m <sup>2</sup> (bracket)		0.12 pcs/ft <sup>2</sup> (bracket) 1.26 pcs/m <sup>2</sup> (bracket)		0.11 pcs/ft <sup>2</sup> (bracket) 1.14 pcs/m <sup>2</sup> (bracket)	
		0.38 ft/ft <sup>2</sup> (rails) 1.23 m/m <sup>2</sup> (rails)									
	4 (10.2)	0.024 (0.136)	41.753 (7.351)	0.023 (0.132)	43.032 (7.576)	0.023 (0.129)	43.927 (7.734)	0.023 (0.128)	44.409 (7.818)	0.022 (0.127)	44.852 (7.896)
	5 (12.7)	0.021 (0.122)	46.743 (8.229)	0.021 (0.118)	48.011 (8.453)	0.02 (0.116)	48.895 (8.608)	0.02 (0.115)	49.368 (8.692)	0.02 (0.114)	49.802 (8.768)
	6 (15.2)	0.02 (0.112)	50.603 (8.909)	0.019 (0.109)	52.003 (9.155)	0.019 (0.107)	52.978 (9.327)	0.019 (0.106)	53.501 (9.419)	0.019 (0.105)	53.982 (9.504)
40" (1016mm)		0.15 pcs/ft <sup>2</sup> (bracket) 1.61 pcs/m <sup>2</sup> (bracket)		0.12 pcs/ft <sup>2</sup> (bracket) 1.31 pcs/m <sup>2</sup> (bracket)		0.1 pcs/ft <sup>2</sup> (bracket) 1.11 pcs/m <sup>2</sup> (bracket)		0.09 pcs/ft <sup>2</sup> (bracket) 1.01 pcs/m <sup>2</sup> (bracket)		0.08 pcs/ft <sup>2</sup> (bracket) 0.91 pcs/m <sup>2</sup> (bracket)	
		0.3 ft/ft <sup>2</sup> (rails) 0.98 m/m <sup>2</sup> (rails)									
	4 (10.2)	0.0231 (0.131)	43.3573 (7.633)	0.0225 (0.128)	44.4547 (7.827)	0.0221 (0.126)	45.2163 (7.961)	0.0219 (0.124)	45.6236 (8.032)	0.0217 (0.123)	45.9972 (8.098)
	5 (12.7)	0.0207 (0.118)	48.2617 (8.497)	0.0203 (0.115)	49.3387 (8.686)	0.02 (0.113)	50.0824 (8.817)	0.0198 (0.113)	50.479 (8.887)	0.0197 (0.112)	50.8418 (8.951)
	6 (15.2)	0.0192 (0.109)	52.1957 (9.189)	0.0187 (0.106)	53.3818 (9.398)	0.0184 (0.105)	54.2015 (9.543)	0.0183 (0.104)	54.6387 (9.619)	0.0182 (0.103)	55.0389 (9.69)

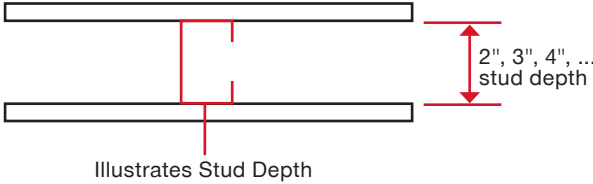
\*Between insulation thicknesses the values can be interpolated

# R-VALUE TABLES

## Fox VTR Metal Studs (Non-Insulated) 2" (50.8mm)

**Brackets:** Vertical stainless steel brackets (medium size)

**Base Material:** Metal studs (notinsulated)



Horizontal Stud to Stud Spacing	Exterior Insulation Thickness* in. (cm)	Vertical Bracket to Bracket Spacing									
		24" Vertical (609.6mm)		30" Vertical (762mm)		36" Vertical (914.4mm)		42" Vertical (1066.8mm)		48" Vertical (1219.2mm)	
		Effective U-Value BTU/h*ft <sup>2</sup> *°F (W/m <sup>2</sup> K)	Effective R-Value h*ft <sup>2</sup> *°F/ BTU (m <sup>2</sup> K/W)	Effective U-Value BTU/h*ft <sup>2</sup> *°F (W/m <sup>2</sup> K)	Effective R-Value h*ft <sup>2</sup> *°F/ BTU (m <sup>2</sup> K/W)	Effective U-Value BTU/h*ft <sup>2</sup> *°F (W/m <sup>2</sup> K)	Effective R-Value h*ft <sup>2</sup> *°F/ BTU (m <sup>2</sup> K/W)	Effective U-Value BTU/h*ft <sup>2</sup> *°F (W/m <sup>2</sup> K)	Effective R-Value h*ft <sup>2</sup> *°F/ BTU (m <sup>2</sup> K/W)	Effective U-Value BTU/h*ft <sup>2</sup> *°F (W/m <sup>2</sup> K)	Effective R-Value h*ft <sup>2</sup> *°F/ BTU (m <sup>2</sup> K/W)
16" (406.4mm)		0.38 pcs/ft <sup>2</sup> (bracket) 4.04 pcs/m <sup>2</sup> (bracket)		0.3 pcs/ft <sup>2</sup> (bracket) 3.28 pcs/m <sup>2</sup> (bracket)		0.26 pcs/ft <sup>2</sup> (bracket) 2.78 pcs/m <sup>2</sup> (bracket)		0.23 pcs/ft <sup>2</sup> (bracket) 2.52 pcs/m <sup>2</sup> (bracket)		0.21 pcs/ft <sup>2</sup> (bracket) 2.28 pcs/m <sup>2</sup> (bracket)	
		0.75 ft/ft <sup>2</sup> (rails) 2.46 m/m <sup>2</sup> (rails)									
	4 (10.2)	0.06 (0.341)	16.645 (2.931)	0.058 (0.329)	17.241 (3.035)	0.057 (0.322)	17.661 (3.109)	0.056 (0.318)	17.889 (3.149)	0.055 (0.314)	18.099 (3.186)
	5 (12.7)	0.049 (0.281)	20.209 (3.558)	0.048 (0.271)	20.929 (3.685)	0.047 (0.265)	21.437 (3.774)	0.046 (0.262)	21.712 (3.823)	0.046 (0.259)	21.966 (3.867)
	6 (15.2)	0.041 (0.235)	24.14 (4.25)	0.04 (0.228)	24.941 (4.391)	0.039 (0.223)	25.504 (4.49)	0.039 (0.22)	25.808 (4.544)	0.038 (0.218)	26.088 (4.593)
24" (609.6mm)		0.25 pcs/ft <sup>2</sup> (bracket) 2.69 pcs/m <sup>2</sup> (bracket)		0.2 pcs/ft <sup>2</sup> (bracket) 2.19 pcs/m <sup>2</sup> (bracket)		0.17 pcs/ft <sup>2</sup> (bracket) 1.85 pcs/m <sup>2</sup> (bracket)		0.16 pcs/ft <sup>2</sup> (bracket) 1.68 pcs/m <sup>2</sup> (bracket)		0.14 pcs/ft <sup>2</sup> (bracket) 1.52 pcs/m <sup>2</sup> (bracket)	
		0.5 ft/ft <sup>2</sup> (rails) 1.64 m/m <sup>2</sup> (rails)									
	4 (10.2)	0.056 (0.318)	17.869 (3.146)	0.055 (0.31)	18.322 (3.226)	0.054 (0.305)	18.636 (3.281)	0.053 (0.302)	18.804 (3.311)	0.053 (0.3)	18.959 (3.338)
	5 (12.7)	0.046 (0.263)	21.635 (3.809)	0.045 (0.256)	22.18 (3.905)	0.044 (0.252)	22.558 (3.971)	0.044 (0.25)	22.76 (4.007)	0.044 (0.248)	22.946 (4.04)
	6 (15.2)	0.039 (0.221)	25.68 (4.521)	0.038 (0.216)	26.278 (4.626)	0.037 (0.213)	26.692 (4.699)	0.037 (0.211)	26.913 (4.738)	0.037 (0.209)	27.116 (4.774)
32" (812.8mm)		0.19 pcs/ft <sup>2</sup> (bracket) 2.02 pcs/m <sup>2</sup> (bracket)		0.15 pcs/ft <sup>2</sup> (bracket) 1.64 pcs/m <sup>2</sup> (bracket)		0.13 pcs/ft <sup>2</sup> (bracket) 1.39 pcs/m <sup>2</sup> (bracket)		0.12 pcs/ft <sup>2</sup> (bracket) 1.26 pcs/m <sup>2</sup> (bracket)		0.11 pcs/ft <sup>2</sup> (bracket) 1.14 pcs/m <sup>2</sup> (bracket)	
		0.38 ft/ft <sup>2</sup> (rails) 1.23 m/m <sup>2</sup> (rails)									
	4 (10.2)	0.054 (0.306)	18.551 (3.266)	0.053 (0.3)	18.915 (3.33)	0.052 (0.296)	19.165 (3.374)	0.052 (0.294)	19.298 (3.398)	0.051 (0.292)	19.42 (3.419)
	5 (12.7)	0.045 (0.253)	22.427 (3.948)	0.044 (0.248)	22.864 (4.025)	0.043 (0.245)	23.164 (4.078)	0.043 (0.244)	23.323 (4.106)	0.043 (0.242)	23.469 (4.132)
	6 (15.2)	0.038 (0.214)	26.526 (4.67)	0.037 (0.21)	27.002 (4.754)	0.037 (0.208)	27.329 (4.811)	0.036 (0.207)	27.502 (4.842)	0.036 (0.205)	27.661 (4.87)
40" (1016mm)		0.15 pcs/ft <sup>2</sup> (bracket) 1.61 pcs/m <sup>2</sup> (bracket)		0.12 pcs/ft <sup>2</sup> (bracket) 1.31 pcs/m <sup>2</sup> (bracket)		0.1 pcs/ft <sup>2</sup> (bracket) 1.11 pcs/m <sup>2</sup> (bracket)		0.09 pcs/ft <sup>2</sup> (bracket) 1.01 pcs/m <sup>2</sup> (bracket)		0.08 pcs/ft <sup>2</sup> (bracket) 0.91 pcs/m <sup>2</sup> (bracket)	
		0.3 ft/ft <sup>2</sup> (rails) 0.98 m/m <sup>2</sup> (rails)									
	4 (10.2)	0.053 (0.299)	18.986 (3.343)	0.052 (0.294)	19.29 (3.396)	0.051 (0.291)	19.497 (3.433)	0.051 (0.29)	19.607 (3.452)	0.051 (0.288)	19.708 (3.47)
	5 (12.7)	0.044 (0.248)	22.93 (4.037)	0.043 (0.244)	23.294 (4.101)	0.042 (0.241)	23.543 (4.145)	0.042 (0.24)	23.674 (4.168)	0.042 (0.239)	23.794 (4.189)
	6 (15.2)	0.037 (0.21)	27.061 (4.764)	0.036 (0.207)	27.456 (4.834)	0.036 (0.205)	27.726 (4.881)	0.036 (0.204)	27.869 (4.906)	0.036 (0.203)	27.998 (4.929)

\*Between insulation thicknesses the values can be interpolated

# R-VALUE TABLES

## Fox VTR Metal Studs (Non-Insulated) 3" (76.2mm)

**Brackets:** Vertical stainless steel brackets (medium size)

**Base Material:** Metal studs (notinsulated)

Horizontal Stud to Stud Spacing	Exterior Insulation Thickness* in. (cm)	Vertical Bracket to Bracket Spacing									
		24" Vertical (609.6mm)		30" Vertical (762mm)		36" Vertical (914.4mm)		42" Vertical (1066.8mm)		48" Vertical (1219.2mm)	
		Effective U-Value BTU/h*ft <sup>2</sup> *°F (W/m <sup>2</sup> K)	Effective R-Value h*ft <sup>2</sup> *°F/ BTU (m <sup>2</sup> K/W)	Effective U-Value BTU/h*ft <sup>2</sup> *°F (W/m <sup>2</sup> K)	Effective R-Value h*ft <sup>2</sup> *°F/ BTU (m <sup>2</sup> K/W)	Effective U-Value BTU/h*ft <sup>2</sup> *°F (W/m <sup>2</sup> K)	Effective R-Value h*ft <sup>2</sup> *°F/ BTU (m <sup>2</sup> K/W)	Effective U-Value BTU/h*ft <sup>2</sup> *°F (W/m <sup>2</sup> K)	Effective R-Value h*ft <sup>2</sup> *°F/ BTU (m <sup>2</sup> K/W)	Effective U-Value BTU/h*ft <sup>2</sup> *°F (W/m <sup>2</sup> K)	Effective R-Value h*ft <sup>2</sup> *°F/ BTU (m <sup>2</sup> K/W)
16" (406.4mm)		0.38 pcs/ft <sup>2</sup> (bracket) 4.04 pcs/m <sup>2</sup> (bracket)		0.3 pcs/ft <sup>2</sup> (bracket) 3.28 pcs/m <sup>2</sup> (bracket)		0.26 pcs/ft <sup>2</sup> (bracket) 2.78 pcs/m <sup>2</sup> (bracket)		0.23 pcs/ft <sup>2</sup> (bracket) 2.52 pcs/m <sup>2</sup> (bracket)		0.21 pcs/ft <sup>2</sup> (bracket) 2.28 pcs/m <sup>2</sup> (bracket)	
		0.75 ft/ft <sup>2</sup> (rails) 2.46 m/m <sup>2</sup> (rails)									
	4 (10.2)	0.062 (0.351)	16.176 (2.848)	0.06 (0.339)	16.738 (2.947)	0.058 (0.332)	17.134 (3.016)	0.058 (0.327)	17.348 (3.054)	0.057 (0.324)	17.545 (3.089)
	5 (12.7)	0.051 (0.288)	19.731 (3.474)	0.049 (0.278)	20.417 (3.594)	0.048 (0.272)	20.9 (3.68)	0.047 (0.268)	21.161 (3.726)	0.047 (0.265)	21.402 (3.768)
6 (15.2)	0.042 (0.24)	23.641 (4.162)	0.041 (0.233)	24.409 (4.297)	0.04 (0.228)	24.948 (4.392)	0.04 (0.225)	25.238 (4.443)	0.039 (0.223)	25.506 (4.49)	
24" (609.6mm)		0.25 pcs/ft <sup>2</sup> (bracket) 2.69 pcs/m <sup>2</sup> (bracket)		0.2 pcs/ft <sup>2</sup> (bracket) 2.19 pcs/m <sup>2</sup> (bracket)		0.17 pcs/ft <sup>2</sup> (bracket) 1.85 pcs/m <sup>2</sup> (bracket)		0.16 pcs/ft <sup>2</sup> (bracket) 1.68 pcs/m <sup>2</sup> (bracket)		0.14 pcs/ft <sup>2</sup> (bracket) 1.52 pcs/m <sup>2</sup> (bracket)	
		0.5 ft/ft <sup>2</sup> (rails) 1.64 m/m <sup>2</sup> (rails)									
	4 (10.2)	0.058 (0.328)	17.329 (3.051)	0.056 (0.32)	17.755 (3.126)	0.055 (0.315)	18.05 (3.178)	0.055 (0.312)	18.207 (3.206)	0.054 (0.31)	18.352 (3.231)
	5 (12.7)	0.047 (0.269)	21.088 (3.713)	0.046 (0.263)	21.606 (3.804)	0.046 (0.259)	21.964 (3.867)	0.045 (0.256)	22.156 (3.901)	0.045 (0.254)	22.331 (3.932)
6 (15.2)	0.04 (0.226)	25.116 (4.422)	0.039 (0.221)	25.688 (4.523)	0.038 (0.218)	26.084 (4.592)	0.038 (0.216)	26.295 (4.629)	0.038 (0.214)	26.488 (4.663)	
32" (812.8mm)		0.19 pcs/ft <sup>2</sup> (bracket) 2.02 pcs/m <sup>2</sup> (bracket)		0.15 pcs/ft <sup>2</sup> (bracket) 1.64 pcs/m <sup>2</sup> (bracket)		0.13 pcs/ft <sup>2</sup> (bracket) 1.39 pcs/m <sup>2</sup> (bracket)		0.12 pcs/ft <sup>2</sup> (bracket) 1.26 pcs/m <sup>2</sup> (bracket)		0.11 pcs/ft <sup>2</sup> (bracket) 1.14 pcs/m <sup>2</sup> (bracket)	
		0.38 ft/ft <sup>2</sup> (rails) 1.23 m/m <sup>2</sup> (rails)									
	4 (10.2)	0.056 (0.316)	17.97 (3.164)	0.055 (0.31)	18.311 (3.224)	0.054 (0.306)	18.545 (3.265)	0.054 (0.304)	18.67 (3.287)	0.053 (0.302)	18.784 (3.307)
	5 (12.7)	0.046 (0.26)	21.84 (3.845)	0.045 (0.255)	22.254 (3.918)	0.044 (0.252)	22.538 (3.968)	0.044 (0.25)	22.689 (3.995)	0.044 (0.249)	22.827 (4.019)
6 (15.2)	0.039 (0.219)	25.925 (4.564)	0.038 (0.215)	26.38 (4.644)	0.037 (0.213)	26.691 (4.699)	0.037 (0.211)	26.857 (4.728)	0.037 (0.21)	27.008 (4.755)	
40" (1016mm)		0.15 pcs/ft <sup>2</sup> (bracket) 1.61 pcs/m <sup>2</sup> (bracket)		0.12 pcs/ft <sup>2</sup> (bracket) 1.31 pcs/m <sup>2</sup> (bracket)		0.1 pcs/ft <sup>2</sup> (bracket) 1.11 pcs/m <sup>2</sup> (bracket)		0.09 pcs/ft <sup>2</sup> (bracket) 1.01 pcs/m <sup>2</sup> (bracket)		0.08 pcs/ft <sup>2</sup> (bracket) 0.91 pcs/m <sup>2</sup> (bracket)	
		0.3 ft/ft <sup>2</sup> (rails) 0.98 m/m <sup>2</sup> (rails)									
	4 (10.2)	0.054 (0.309)	18.377 (3.235)	0.054 (0.304)	18.662 (3.286)	0.053 (0.301)	18.856 (3.32)	0.053 (0.3)	18.959 (3.338)	0.052 (0.298)	19.053 (3.354)
	5 (12.7)	0.045 (0.255)	22.317 (3.929)	0.044 (0.251)	22.662 (3.99)	0.044 (0.248)	22.897 (4.031)	0.043 (0.247)	23.021 (4.053)	0.043 (0.246)	23.135 (4.073)
6 (15.2)	0.038 (0.215)	26.436 (4.654)	0.037 (0.212)	26.813 (4.721)	0.037 (0.21)	27.07 (4.766)	0.037 (0.209)	27.206 (4.79)	0.037 (0.208)	27.329 (4.812)	

\*Between insulation thicknesses the values can be interpolated

# R-VALUE TABLES

## Fox VTR Metal Studs (Non-Insulated) 4" (101.6mm)

**Brackets:** Vertical stainless steel brackets (medium size)

**Base Material:** Metal studs (notinsulated)

Horizontal Stud to Stud Spacing	Exterior Insulation Thickness* in. (cm)	Vertical Bracket to Bracket Spacing									
		24" Vertical (609.6mm)		30" Vertical (762mm)		36" Vertical (914.4mm)		42" Vertical (1066.8mm)		48" Vertical (1219.2mm)	
		Effective U-Value BTU/h*ft <sup>2</sup> *°F (W/m <sup>2</sup> K)	Effective R-Value h*ft <sup>2</sup> *°F/ BTU (m <sup>2</sup> K/W)	Effective U-Value BTU/h*ft <sup>2</sup> *°F (W/m <sup>2</sup> K)	Effective R-Value h*ft <sup>2</sup> *°F/ BTU (m <sup>2</sup> K/W)	Effective U-Value BTU/h*ft <sup>2</sup> *°F (W/m <sup>2</sup> K)	Effective R-Value h*ft <sup>2</sup> *°F/ BTU (m <sup>2</sup> K/W)	Effective U-Value BTU/h*ft <sup>2</sup> *°F (W/m <sup>2</sup> K)	Effective R-Value h*ft <sup>2</sup> *°F/ BTU (m <sup>2</sup> K/W)	Effective U-Value BTU/h*ft <sup>2</sup> *°F (W/m <sup>2</sup> K)	Effective R-Value h*ft <sup>2</sup> *°F/ BTU (m <sup>2</sup> K/W)
16" (406.4mm)		0.38 pcs/ft <sup>2</sup> (bracket) 4.04 pcs/m <sup>2</sup> (bracket)		0.3 pcs/ft <sup>2</sup> (bracket) 3.28 pcs/m <sup>2</sup> (bracket)		0.26 pcs/ft <sup>2</sup> (bracket) 2.78 pcs/m <sup>2</sup> (bracket)		0.23 pcs/ft <sup>2</sup> (bracket) 2.52 pcs/m <sup>2</sup> (bracket)		0.21 pcs/ft <sup>2</sup> (bracket) 2.28 pcs/m <sup>2</sup> (bracket)	
		0.75 ft/ft <sup>2</sup> (rails) 2.46 m/m <sup>2</sup> (rails)									
	4 (10.2)	0.063 (0.357)	15.92 (2.803)	0.061 (0.345)	16.464 (2.899)	0.059 (0.337)	16.847 (2.966)	0.059 (0.333)	17.054 (3.002)	0.058 (0.329)	17.245 (3.036)
	5 (12.7)	0.051 (0.292)	19.471 (3.428)	0.05 (0.282)	20.139 (3.546)	0.049 (0.276)	20.609 (3.628)	0.048 (0.272)	20.863 (3.673)	0.047 (0.269)	21.097 (3.714)
	6 (15.2)	0.043 (0.243)	23.37 (4.115)	0.041 (0.235)	24.12 (4.247)	0.041 (0.23)	24.647 (4.339)	0.04 (0.228)	24.93 (4.389)	0.04 (0.225)	25.191 (4.435)
24" (609.6mm)		0.25 pcs/ft <sup>2</sup> (bracket) 2.69 pcs/m <sup>2</sup> (bracket)		0.2 pcs/ft <sup>2</sup> (bracket) 2.19 pcs/m <sup>2</sup> (bracket)		0.17 pcs/ft <sup>2</sup> (bracket) 1.85 pcs/m <sup>2</sup> (bracket)		0.16 pcs/ft <sup>2</sup> (bracket) 1.68 pcs/m <sup>2</sup> (bracket)		0.14 pcs/ft <sup>2</sup> (bracket) 1.52 pcs/m <sup>2</sup> (bracket)	
		0.5 ft/ft <sup>2</sup> (rails) 1.64 m/m <sup>2</sup> (rails)									
	4 (10.2)	0.059 (0.333)	17.036 (2.999)	0.057 (0.326)	17.447 (3.072)	0.056 (0.32)	17.732 (3.122)	0.056 (0.318)	17.884 (3.149)	0.055 (0.315)	18.023 (3.173)
	5 (12.7)	0.048 (0.273)	20.792 (3.661)	0.047 (0.267)	21.295 (3.749)	0.046 (0.262)	21.643 (3.81)	0.046 (0.26)	21.829 (3.843)	0.045 (0.258)	21.999 (3.873)
	6 (15.2)	0.04 (0.229)	24.811 (4.368)	0.039 (0.224)	25.369 (4.466)	0.039 (0.221)	25.755 (4.534)	0.039 (0.219)	25.961 (4.571)	0.038 (0.217)	26.149 (4.604)
32" (812.8mm)		0.19 pcs/ft <sup>2</sup> (bracket) 2.02 pcs/m <sup>2</sup> (bracket)		0.15 pcs/ft <sup>2</sup> (bracket) 1.64 pcs/m <sup>2</sup> (bracket)		0.13 pcs/ft <sup>2</sup> (bracket) 1.39 pcs/m <sup>2</sup> (bracket)		0.12 pcs/ft <sup>2</sup> (bracket) 1.26 pcs/m <sup>2</sup> (bracket)		0.11 pcs/ft <sup>2</sup> (bracket) 1.14 pcs/m <sup>2</sup> (bracket)	
		0.38 ft/ft <sup>2</sup> (rails) 1.23 m/m <sup>2</sup> (rails)									
	4 (10.2)	0.057 (0.322)	17.655 (3.108)	0.056 (0.316)	17.984 (3.166)	0.055 (0.312)	18.21 (3.206)	0.055 (0.31)	18.33 (3.227)	0.054 (0.308)	18.44 (3.246)
	5 (12.7)	0.046 (0.264)	21.522 (3.789)	0.046 (0.259)	21.924 (3.86)	0.045 (0.256)	22.2 (3.908)	0.045 (0.254)	22.346 (3.934)	0.044 (0.253)	22.48 (3.958)
	6 (15.2)	0.039 (0.222)	25.6 (4.507)	0.038 (0.218)	26.043 (4.585)	0.038 (0.216)	26.347 (4.639)	0.038 (0.214)	26.508 (4.667)	0.038 (0.213)	26.655 (4.693)
40" (1016mm)		0.15 pcs/ft <sup>2</sup> (bracket) 1.61 pcs/m <sup>2</sup> (bracket)		0.12 pcs/ft <sup>2</sup> (bracket) 1.31 pcs/m <sup>2</sup> (bracket)		0.1 pcs/ft <sup>2</sup> (bracket) 1.11 pcs/m <sup>2</sup> (bracket)		0.09 pcs/ft <sup>2</sup> (bracket) 1.01 pcs/m <sup>2</sup> (bracket)		0.08 pcs/ft <sup>2</sup> (bracket) 0.91 pcs/m <sup>2</sup> (bracket)	
		0.3 ft/ft <sup>2</sup> (rails) 0.98 m/m <sup>2</sup> (rails)									
	4 (10.2)	0.055 (0.315)	18.048 (3.177)	0.055 (0.31)	18.322 (3.226)	0.054 (0.307)	18.51 (3.259)	0.054 (0.305)	18.609 (3.276)	0.053 (0.304)	18.699 (3.292)
	5 (12.7)	0.045 (0.258)	21.985 (3.871)	0.045 (0.254)	22.32 (3.93)	0.044 (0.252)	22.548 (3.97)	0.044 (0.251)	22.669 (3.991)	0.044 (0.249)	22.778 (4.01)
	6 (15.2)	0.038 (0.218)	26.098 (4.595)	0.038 (0.215)	26.465 (4.659)	0.037 (0.213)	26.716 (4.703)	0.037 (0.212)	26.848 (4.727)	0.037 (0.211)	26.969 (4.748)

\*Between insulation thicknesses the values can be interpolated



# R-VALUE TABLES

## Fox VTR Metal Studs (Non-Insulated) 5" (127mm)

**Brackets:** Vertical stainless steel brackets (medium size)

**Base Material:** Metal studs (notinsulated)

Horizontal Stud to Stud Spacing	Exterior Insulation Thickness <sup>1</sup> in. (cm)	Vertical Bracket to Bracket Spacing									
		24" Vertical (609.6mm)		30" Vertical (762mm)		36" Vertical (914.4mm)		42" Vertical (1066.8mm)		48" Vertical (1219.2mm)	
		Effective U-Value BTU/h*ft <sup>2</sup> *°F (W/m <sup>2</sup> K)	Effective R-Value h*ft <sup>2</sup> *°F/ BTU (m <sup>2</sup> K/W)	Effective U-Value BTU/h*ft <sup>2</sup> *°F (W/m <sup>2</sup> K)	Effective R-Value h*ft <sup>2</sup> *°F/ BTU (m <sup>2</sup> K/W)	Effective U-Value BTU/h*ft <sup>2</sup> *°F (W/m <sup>2</sup> K)	Effective R-Value h*ft <sup>2</sup> *°F/ BTU (m <sup>2</sup> K/W)	Effective U-Value BTU/h*ft <sup>2</sup> *°F (W/m <sup>2</sup> K)	Effective R-Value h*ft <sup>2</sup> *°F/ BTU (m <sup>2</sup> K/W)	Effective U-Value BTU/h*ft <sup>2</sup> *°F (W/m <sup>2</sup> K)	Effective R-Value h*ft <sup>2</sup> *°F/ BTU (m <sup>2</sup> K/W)
16" (406.4mm)		0.38 pcs/ft <sup>2</sup> (bracket) 4.04 pcs/m <sup>2</sup> (bracket)		0.3 pcs/ft <sup>2</sup> (bracket) 3.28 pcs/m <sup>2</sup> (bracket)		0.26 pcs/ft <sup>2</sup> (bracket) 2.78 pcs/m <sup>2</sup> (bracket)		0.23 pcs/ft <sup>2</sup> (bracket) 2.52 pcs/m <sup>2</sup> (bracket)		0.21 pcs/ft <sup>2</sup> (bracket) 2.28 pcs/m <sup>2</sup> (bracket)	
		0.75 ft/ft <sup>2</sup> (rails) 2.46 m/m <sup>2</sup> (rails)									
	4 (10.2)	0.052 (0.298)	19.062 (3.356)	0.052 (0.298)	19.062 (3.356)	0.052 (0.298)	19.062 (3.356)	0.052 (0.298)	19.062 (3.356)	0.052 (0.298)	19.062 (3.356)
	5 (12.7)	0.043 (0.243)	23.387 (4.117)	0.043 (0.243)	23.387 (4.117)	0.043 (0.243)	23.387 (4.117)	0.043 (0.243)	23.387 (4.117)	0.043 (0.243)	23.387 (4.117)
	6 (15.2)	0.036 (0.205)	27.746 (4.885)	0.036 (0.205)	27.746 (4.885)	0.036 (0.205)	27.746 (4.885)	0.036 (0.205)	27.746 (4.885)	0.036 (0.205)	27.746 (4.885)
24" (609.6mm)		0.25 pcs/ft <sup>2</sup> (bracket) 2.69 pcs/m <sup>2</sup> (bracket)		0.2 pcs/ft <sup>2</sup> (bracket) 2.19 pcs/m <sup>2</sup> (bracket)		0.17 pcs/ft <sup>2</sup> (bracket) 1.85 pcs/m <sup>2</sup> (bracket)		0.16 pcs/ft <sup>2</sup> (bracket) 1.68 pcs/m <sup>2</sup> (bracket)		0.14 pcs/ft <sup>2</sup> (bracket) 1.52 pcs/m <sup>2</sup> (bracket)	
		0.5 ft/ft <sup>2</sup> (rails) 1.64 m/m <sup>2</sup> (rails)									
	4 (10.2)	0.052 (0.296)	19.215 (3.383)	0.052 (0.296)	19.215 (3.383)	0.052 (0.296)	19.215 (3.383)	0.052 (0.296)	19.215 (3.383)	0.052 (0.296)	19.215 (3.383)
	5 (12.7)	0.043 (0.242)	23.514 (4.14)	0.043 (0.242)	23.514 (4.14)	0.043 (0.242)	23.514 (4.14)	0.043 (0.242)	23.514 (4.14)	0.043 (0.242)	23.514 (4.14)
	6 (15.2)	0.036 (0.204)	27.836 (4.901)	0.036 (0.204)	27.836 (4.901)	0.036 (0.204)	27.836 (4.901)	0.036 (0.204)	27.836 (4.901)	0.036 (0.204)	27.836 (4.901)
32" (812.8mm)		0.19 pcs/ft <sup>2</sup> (bracket) 2.02 pcs/m <sup>2</sup> (bracket)		0.15 pcs/ft <sup>2</sup> (bracket) 1.64 pcs/m <sup>2</sup> (bracket)		0.13 pcs/ft <sup>2</sup> (bracket) 1.39 pcs/m <sup>2</sup> (bracket)		0.12 pcs/ft <sup>2</sup> (bracket) 1.26 pcs/m <sup>2</sup> (bracket)		0.11 pcs/ft <sup>2</sup> (bracket) 1.14 pcs/m <sup>2</sup> (bracket)	
		0.38 ft/ft <sup>2</sup> (rails) 1.23 m/m <sup>2</sup> (rails)									
	4 (10.2)	0.052 (0.294)	19.293 (3.397)	0.052 (0.294)	19.293 (3.397)	0.052 (0.294)	19.293 (3.397)	0.052 (0.294)	19.293 (3.397)	0.052 (0.294)	19.293 (3.397)
	5 (12.7)	0.042 (0.241)	23.578 (4.151)	0.042 (0.241)	23.578 (4.151)	0.042 (0.241)	23.578 (4.151)	0.042 (0.241)	23.578 (4.151)	0.042 (0.241)	23.578 (4.151)
	6 (15.2)	0.036 (0.204)	27.88 (4.909)	0.036 (0.204)	27.88 (4.909)	0.036 (0.204)	27.88 (4.909)	0.036 (0.204)	27.88 (4.909)	0.036 (0.204)	27.88 (4.909)
40" (1016mm)		0.15 pcs/ft <sup>2</sup> (bracket) 1.61 pcs/m <sup>2</sup> (bracket)		0.12 pcs/ft <sup>2</sup> (bracket) 1.31 pcs/m <sup>2</sup> (bracket)		0.1 pcs/ft <sup>2</sup> (bracket) 1.11 pcs/m <sup>2</sup> (bracket)		0.09 pcs/ft <sup>2</sup> (bracket) 1.01 pcs/m <sup>2</sup> (bracket)		0.08 pcs/ft <sup>2</sup> (bracket) 0.91 pcs/m <sup>2</sup> (bracket)	
		0.3 ft/ft <sup>2</sup> (rails) 0.98 m/m <sup>2</sup> (rails)									
	4 (10.2)	0.052 (0.294)	19.339 (3.405)	0.052 (0.294)	19.339 (3.405)	0.052 (0.294)	19.339 (3.405)	0.052 (0.294)	19.339 (3.405)	0.052 (0.294)	19.339 (3.405)
	5 (12.7)	0.042 (0.241)	23.617 (4.158)	0.042 (0.241)	23.617 (4.158)	0.042 (0.241)	23.617 (4.158)	0.042 (0.241)	23.617 (4.158)	0.042 (0.241)	23.617 (4.158)
	6 (15.2)	0.036 (0.204)	27.907 (4.913)	0.036 (0.204)	27.907 (4.913)	0.036 (0.204)	27.907 (4.913)	0.036 (0.204)	27.907 (4.913)	0.036 (0.204)	27.907 (4.913)

<sup>1</sup>Between insulation thicknesses the values can be interpolated

# R-VALUE TABLES

## Fox VTR Metal Studs (Non-Insulated) 6" (152.4mm)

**Brackets:** Vertical stainless steel brackets (medium size)








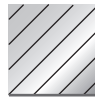
**Base Material:** Metal studs (notinsulated)

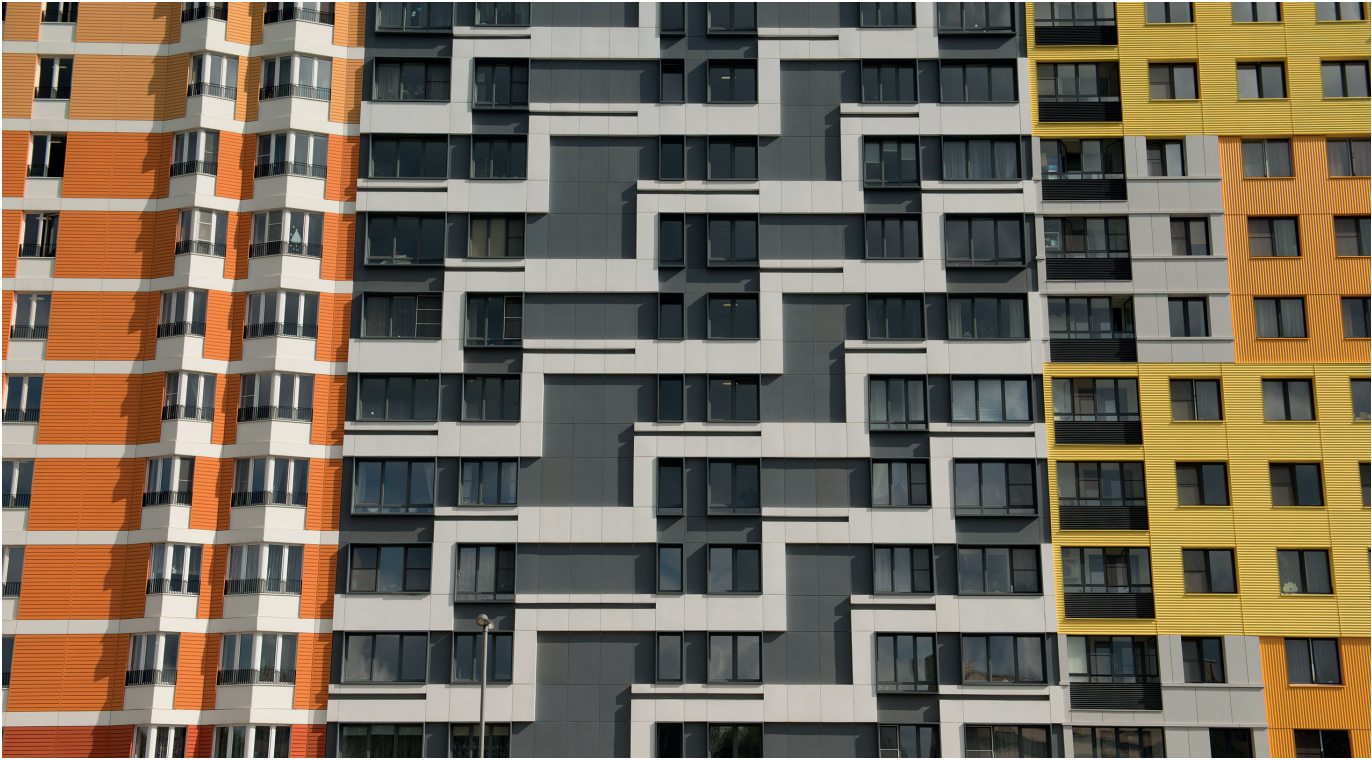
Horizontal Stud to Stud Spacing	Exterior Insulation Thickness* in. (cm)	Vertical Bracket to Bracket Spacing									
		24" Vertical (609.6mm)		30" Vertical (762mm)		36" Vertical (914.4mm)		42" Vertical (1066.8mm)		48" Vertical (1219.2mm)	
		Effective U-Value BTU/h*ft <sup>2</sup> *°F (W/m <sup>2</sup> K)	Effective R-Value h*ft <sup>2</sup> *°F/ BTU (m <sup>2</sup> K/W)	Effective U-Value BTU/h*ft <sup>2</sup> *°F (W/m <sup>2</sup> K)	Effective R-Value h*ft <sup>2</sup> *°F/ BTU (m <sup>2</sup> K/W)	Effective U-Value BTU/h*ft <sup>2</sup> *°F (W/m <sup>2</sup> K)	Effective R-Value h*ft <sup>2</sup> *°F/ BTU (m <sup>2</sup> K/W)	Effective U-Value BTU/h*ft <sup>2</sup> *°F (W/m <sup>2</sup> K)	Effective R-Value h*ft <sup>2</sup> *°F/ BTU (m <sup>2</sup> K/W)	Effective U-Value BTU/h*ft <sup>2</sup> *°F (W/m <sup>2</sup> K)	Effective R-Value h*ft <sup>2</sup> *°F/ BTU (m <sup>2</sup> K/W)
16" (406.4mm)		0.38 pcs/ft <sup>2</sup> (bracket) 4.04 pcs/m <sup>2</sup> (bracket)		0.3 pcs/ft <sup>2</sup> (bracket) 3.28 pcs/m <sup>2</sup> (bracket)		0.26 pcs/ft <sup>2</sup> (bracket) 2.78 pcs/m <sup>2</sup> (bracket)		0.23 pcs/ft <sup>2</sup> (bracket) 2.52 pcs/m <sup>2</sup> (bracket)		0.21 pcs/ft <sup>2</sup> (bracket) 2.28 pcs/m <sup>2</sup> (bracket)	
		0.75 ft/ft <sup>2</sup> (rails) 2.46 m/m <sup>2</sup> (rails)									
	4 (10.2)	0.053 (0.301)	18.899 (3.327)	0.053 (0.301)	18.899 (3.327)	0.053 (0.301)	18.899 (3.327)	0.053 (0.301)	18.899 (3.327)	0.053 (0.301)	18.899 (3.327)
	5 (12.7)	0.043 (0.245)	23.222 (4.088)	0.043 (0.245)	23.222 (4.088)	0.043 (0.245)	23.222 (4.088)	0.043 (0.245)	23.222 (4.088)	0.043 (0.245)	23.222 (4.088)
	6 (15.2)	0.036 (0.206)	27.579 (4.855)	0.036 (0.206)	27.579 (4.855)	0.036 (0.206)	27.579 (4.855)	0.036 (0.206)	27.579 (4.855)	0.036 (0.206)	27.579 (4.855)
24" (609.6mm)		0.25 pcs/ft <sup>2</sup> (bracket) 2.69 pcs/m <sup>2</sup> (bracket)		0.2 pcs/ft <sup>2</sup> (bracket) 2.19 pcs/m <sup>2</sup> (bracket)		0.17 pcs/ft <sup>2</sup> (bracket) 1.85 pcs/m <sup>2</sup> (bracket)		0.16 pcs/ft <sup>2</sup> (bracket) 1.68 pcs/m <sup>2</sup> (bracket)		0.14 pcs/ft <sup>2</sup> (bracket) 1.52 pcs/m <sup>2</sup> (bracket)	
		0.5 ft/ft <sup>2</sup> (rails) 1.64 m/m <sup>2</sup> (rails)									
	4 (10.2)	0.052 (0.298)	19.05 (3.354)	0.052 (0.298)	19.05 (3.354)	0.052 (0.298)	19.05 (3.354)	0.052 (0.298)	19.05 (3.354)	0.052 (0.298)	19.05 (3.354)
	5 (12.7)	0.043 (0.243)	23.347 (4.11)	0.043 (0.243)	23.347 (4.11)	0.043 (0.243)	23.347 (4.11)	0.043 (0.243)	23.347 (4.11)	0.043 (0.243)	23.347 (4.11)
	6 (15.2)	0.036 (0.205)	27.667 (4.871)	0.036 (0.205)	27.667 (4.871)	0.036 (0.205)	27.667 (4.871)	0.036 (0.205)	27.667 (4.871)	0.036 (0.205)	27.667 (4.871)
32" (812.8mm)		0.19 pcs/ft <sup>2</sup> (bracket) 2.02 pcs/m <sup>2</sup> (bracket)		0.15 pcs/ft <sup>2</sup> (bracket) 1.64 pcs/m <sup>2</sup> (bracket)		0.13 pcs/ft <sup>2</sup> (bracket) 1.39 pcs/m <sup>2</sup> (bracket)		0.12 pcs/ft <sup>2</sup> (bracket) 1.26 pcs/m <sup>2</sup> (bracket)		0.11 pcs/ft <sup>2</sup> (bracket) 1.14 pcs/m <sup>2</sup> (bracket)	
		0.38 ft/ft <sup>2</sup> (rails) 1.23 m/m <sup>2</sup> (rails)									
	4 (10.2)	0.052 (0.297)	19.126 (3.367)	0.052 (0.297)	19.126 (3.367)	0.052 (0.297)	19.126 (3.367)	0.052 (0.297)	19.126 (3.367)	0.052 (0.297)	19.126 (3.367)
	5 (12.7)	0.043 (0.243)	23.411 (4.122)	0.043 (0.243)	23.411 (4.122)	0.043 (0.243)	23.411 (4.122)	0.043 (0.243)	23.411 (4.122)	0.043 (0.243)	23.411 (4.122)
	6 (15.2)	0.036 (0.205)	27.712 (4.879)	0.036 (0.205)	27.712 (4.879)	0.036 (0.205)	27.712 (4.879)	0.036 (0.205)	27.712 (4.879)	0.036 (0.205)	27.712 (4.879)
40" (1016mm)		0.15 pcs/ft <sup>2</sup> (bracket) 1.61 pcs/m <sup>2</sup> (bracket)		0.12 pcs/ft <sup>2</sup> (bracket) 1.31 pcs/m <sup>2</sup> (bracket)		0.1 pcs/ft <sup>2</sup> (bracket) 1.11 pcs/m <sup>2</sup> (bracket)		0.09 pcs/ft <sup>2</sup> (bracket) 1.01 pcs/m <sup>2</sup> (bracket)		0.08 pcs/ft <sup>2</sup> (bracket) 0.91 pcs/m <sup>2</sup> (bracket)	
		0.3 ft/ft <sup>2</sup> (rails) 0.98 m/m <sup>2</sup> (rails)									
	4 (10.2)	0.052 (0.296)	19.172 (3.375)	0.052 (0.296)	19.172 (3.375)	0.052 (0.296)	19.172 (3.375)	0.052 (0.296)	19.172 (3.375)	0.052 (0.296)	19.172 (3.375)
	5 (12.7)	0.043 (0.242)	23.449 (4.128)	0.043 (0.242)	23.449 (4.128)	0.043 (0.242)	23.449 (4.128)	0.043 (0.242)	23.449 (4.128)	0.043 (0.242)	23.449 (4.128)
	6 (15.2)	0.036 (0.205)	27.738 (4.884)	0.036 (0.205)	27.738 (4.884)	0.036 (0.205)	27.738 (4.884)	0.036 (0.205)	27.738 (4.884)	0.036 (0.205)	27.738 (4.884)

\*Between insulation thicknesses the values can be interpolated

# FIBER-CEMENT

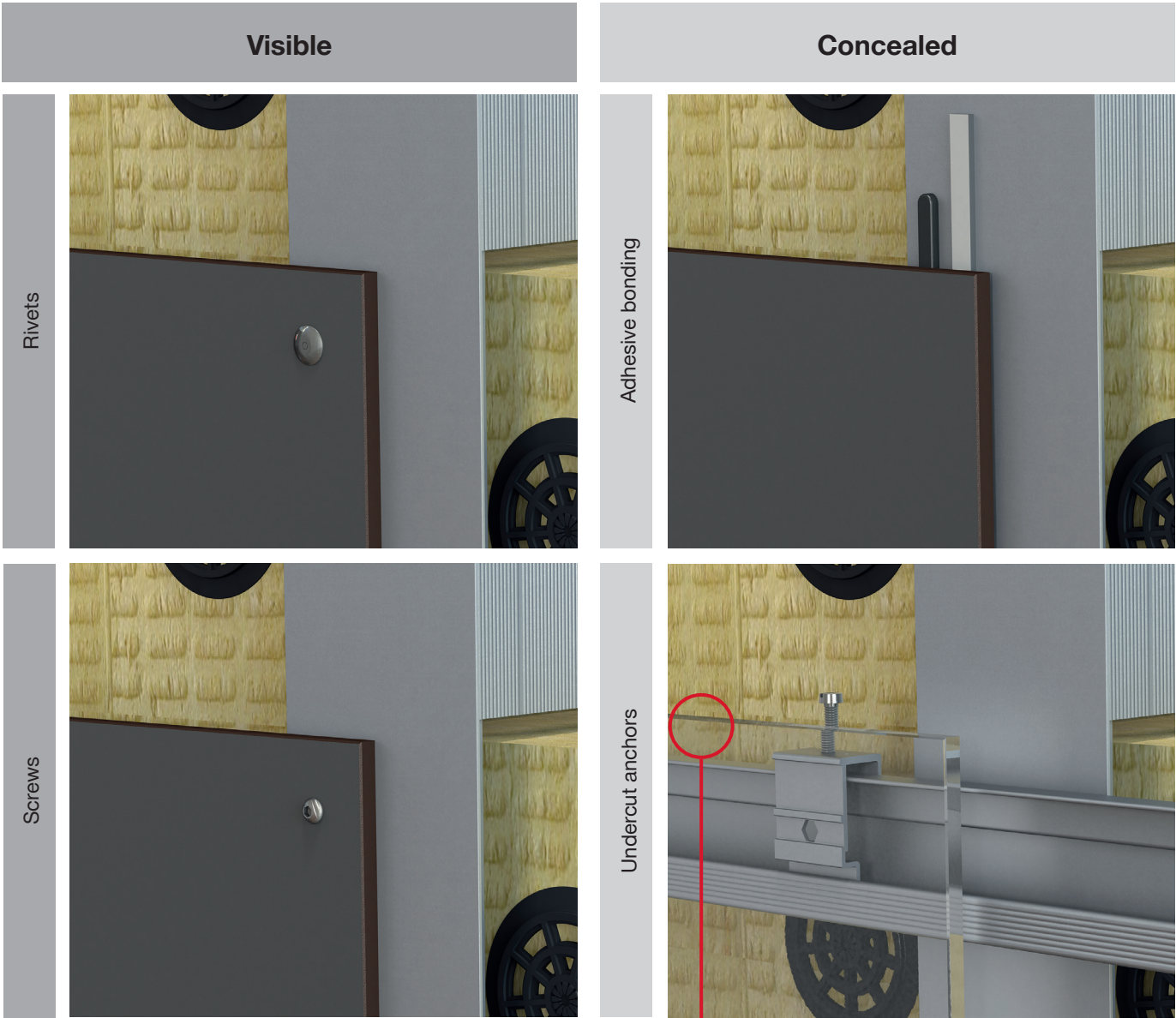
Fiber-cement is a composite material composed of sand, cement and cellulose

							
Fiber-cement	HPL	Metal	Render	Ceramic	Terracotta	Stone	Composite





# FIBER-CEMENT – PANEL FASTENING

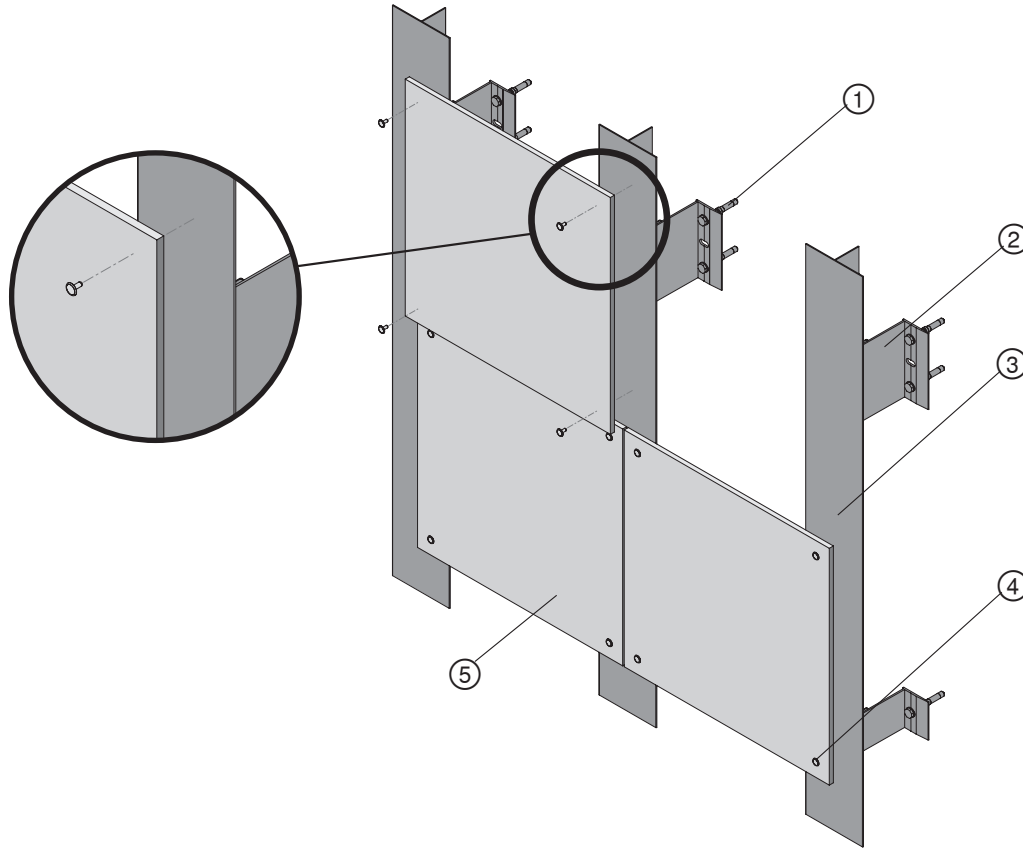


This example is not representative of an actual fiber-cement panel. It is shown as transparent to display the mechanisms behind the panel.

# FIBER-CEMENT - VISIBLE RIVETS



Fiber-cement



### Bill of materials

Reference	Description	Supplier
①	<b>Bracket fastening</b>	<b>Hilti</b>
②	<b>Bracket</b>	<b>Hilti</b>
③	<b>Rail</b>	<b>Hilti</b>
④	<b>Rivet</b>	<b>Others</b>
⑤	<b>Fiber-cement panel</b>	<b>Others</b>



VI-bracket



FOX HI-bracket



FOX VT-bracket



FOX HT-bracket



S2S-bracket

### Application



### Application/system description

- |  |  |
|--|--|
| 1 MFT-FOX VI 1L adhesive-rivets-screws | 5 MFT-FOX HI 2L adhesive-rivets-screws |
| 2 MFT-FOX VT 1L adhesive-rivets-screws | 6 MFT-FOX HT 1L-rivets-screws          |
| 3 MFT-S2S 1L adhesive-rivets-screws    | 7 MFT-FOX HT 2L adhesive-rivets-screws |
| 4 MFT-FOX HI 1L rivets-screws          | 8 MFT-FOX VI 2L - stulp                |
|  | 9 MFT-FOX VT-2L-stulp                  |

### Base material

Concrete,  
masonry,  
metal studs,  
wood

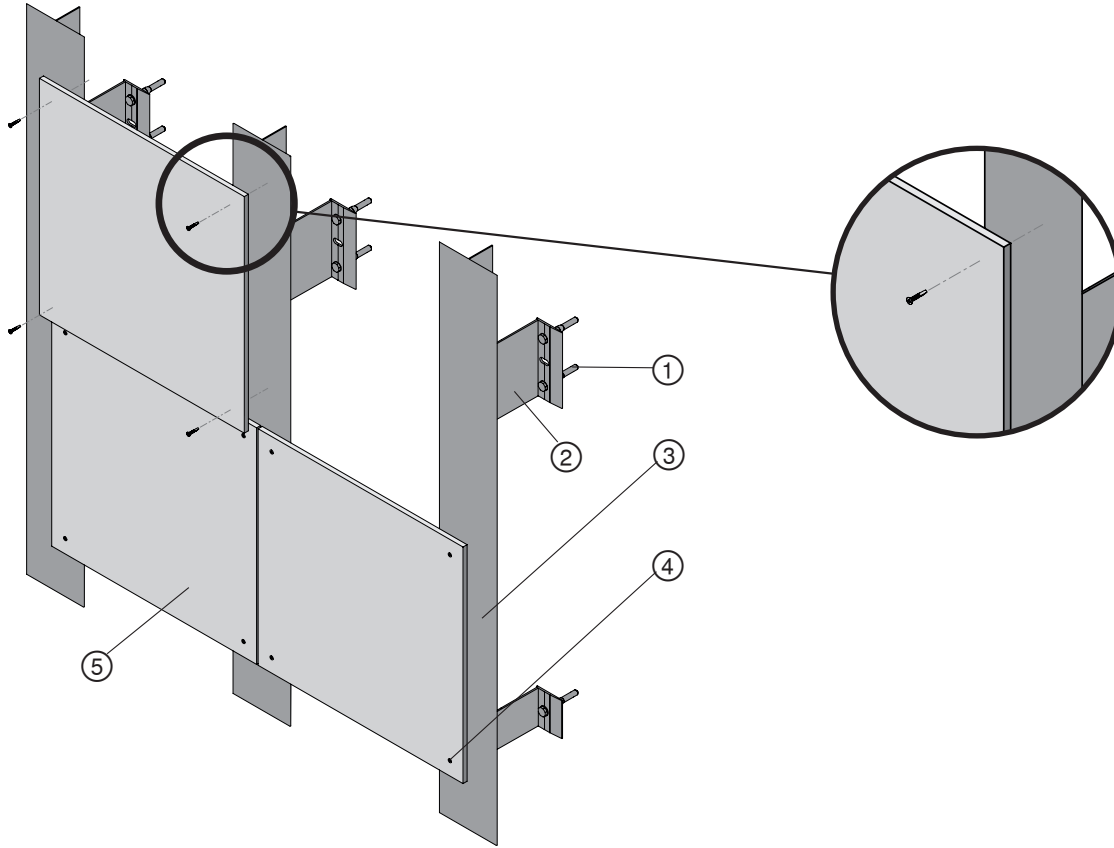
### Product line

VI System  
FOX VT System  
S2S System  
FOX HI System  
FOX HT system

# FIBER-CEMENT - VISIBLE SCREWS

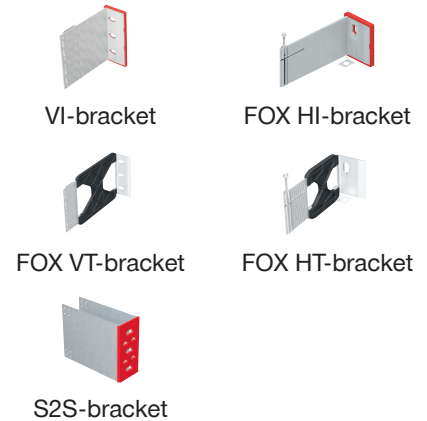


Fiber-cement

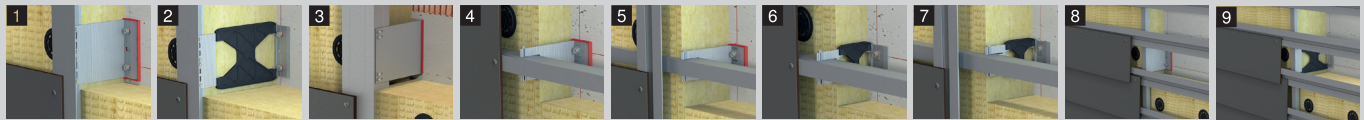


### Bill of materials

Reference	Description	Supplier
①	<b>Bracket fastening</b>	<b>Hilti</b>
②	<b>Bracket</b>	<b>Hilti</b>
③	<b>Rail</b>	<b>Hilti</b>
④	<b>Screw</b>	<b>Others</b>
⑤	<b>Fiber-cement panel</b>	<b>Others</b>



### Application



### Application/system description

- |  |  |
|--|--|
| 1 MFT-FOX VI 1L adhesive-rivets-screws | 5 MFT-FOX HI 2L adhesive-rivets-screws |
| 2 MFT-FOX VT 1L adhesive-rivets-screws | 6 MFT-FOX HT 1L-rivets-screws          |
| 3 MFT-S2S 1L adhesive-rivets-screws    | 7 MFT-FOX HT 2L adhesive-rivets-screws |
| 4 MFT-FOX HI 1L rivets-screws          | 8 MFT-FOX VI 2L - stulp                |
|  | 9 MFT-FOX VT-2L-stulp                  |

### Base material

Concrete,  
masonry,  
metal studs,  
wood

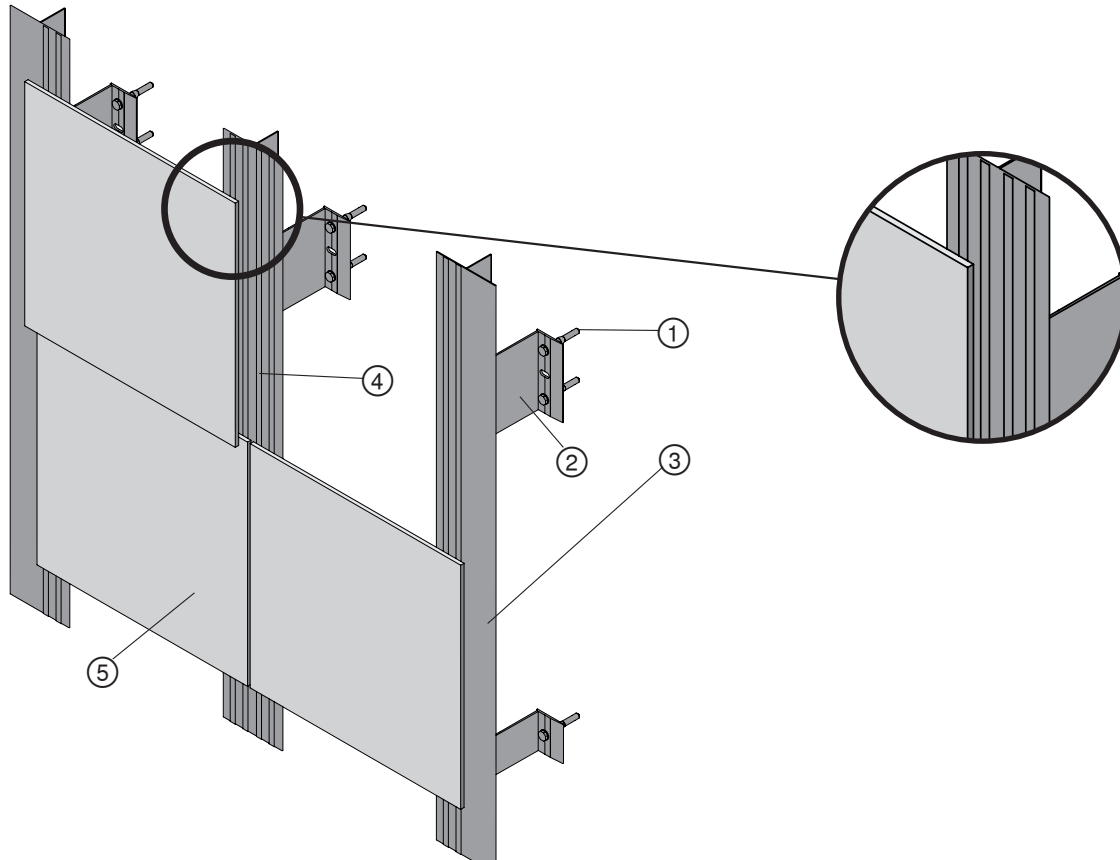
### Product line

VI System  
FOX VT System  
S2S System  
FOX HI System  
FOX HT system

# FIBER-CEMENT – CONCEALED ADHESIVE BONDING



Fiber-cement



## Bill of materials

Reference	Description	Supplier
①	<b>Bracket fastening</b>	<b>Hilti</b>
②	<b>Bracket</b>	<b>Hilti</b>
③	<b>Rail</b>	<b>Hilti</b>
④	<b>Adhesive bonding material</b>	<b>Others</b>
⑤	<b>Fiber-cement panel</b>	<b>Others</b>



VI-bracket



FOX HI-bracket



FOX VT-bracket

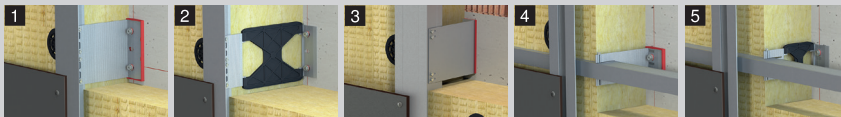


FOX HT-bracket



S2S-bracket

## Application



### Application/system description

- 1 MFT-FOX VI 1L adhesive-rivets-screws
- 2 MFT-FOX VT 1L adhesive-rivets-screws
- 3 MFT-S2S 1L adhesive-rivets-screws
- 4 MFT-FOX HI 1L adhesive rivets-screws
- 5 MFT-FOX HT 2L adhesive-rivets-screws

### Base material

Concrete, masonry, metal studs, wood

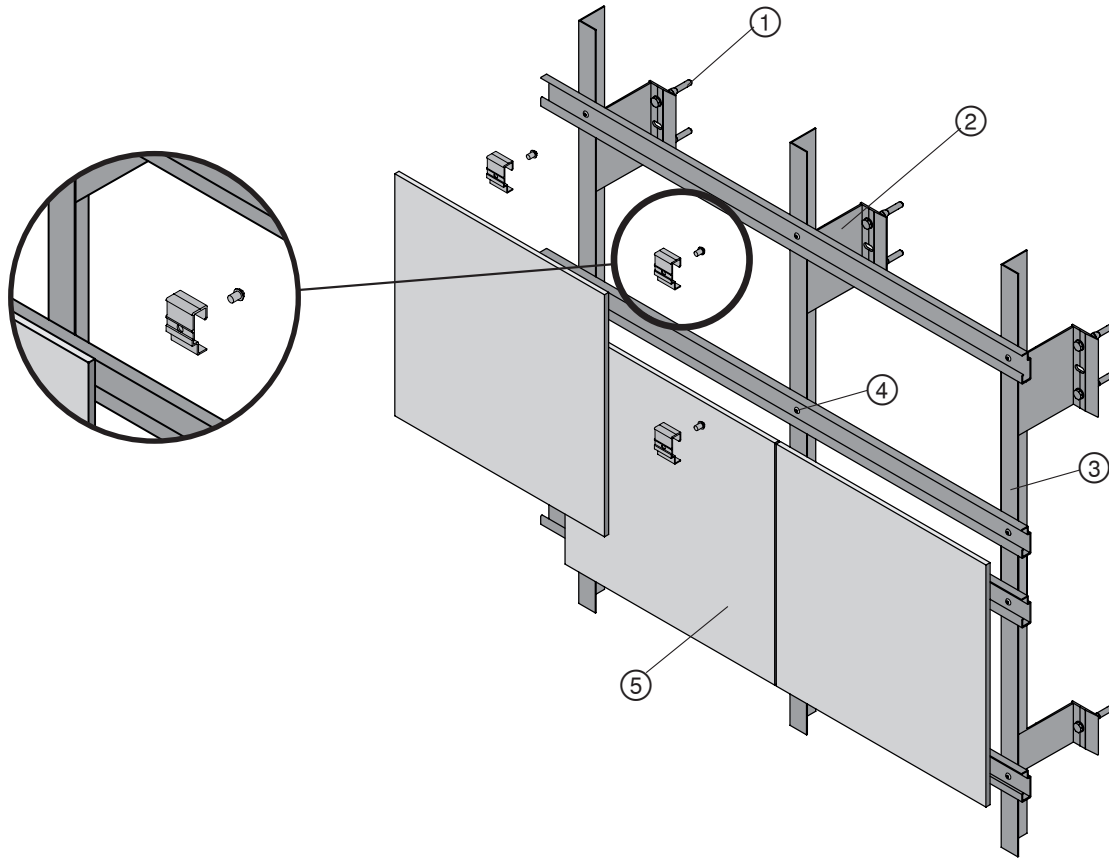
### Product line

VI System  
FOX VT System  
S2S System  
FOX HI System  
FOX HT system

# FIBER-CEMENT – CONCEALED UNDERCUT ANCHORS



Fiber-cement



### Bill of materials

Reference	Description	Supplier
①	<b>Bracket fastening</b>	<b>Hilti</b>
②	<b>Bracket</b>	<b>Hilti</b>
③	<b>Rail</b>	<b>Hilti</b>
④	<b>Hanger and undercut anchor</b>	<b>Hilti</b>
⑤	<b>Fiber-cement panel</b>	<b>Others</b>



VI-bracket

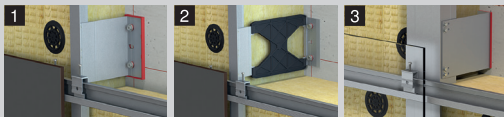


FOX VT-bracket



S2S-bracket

### Application



#### Application/system description

- 1 MFT-MFI 2L hangers-undercut-anchors
- 2 MFT-FOX VT 2L hangers-undercut-anchors
- 3 MFT-S2S 2L hangers-undercut-anchors

#### Base material

Concrete,  
masonry,  
metal studs,  
wood

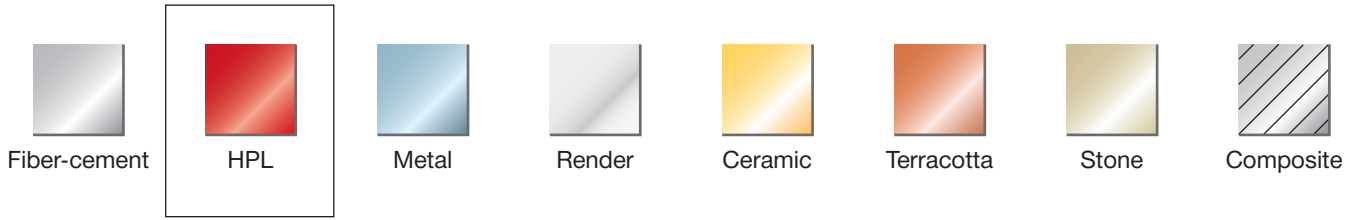
#### Product line

VI System  
FOX VT System  
S2S System



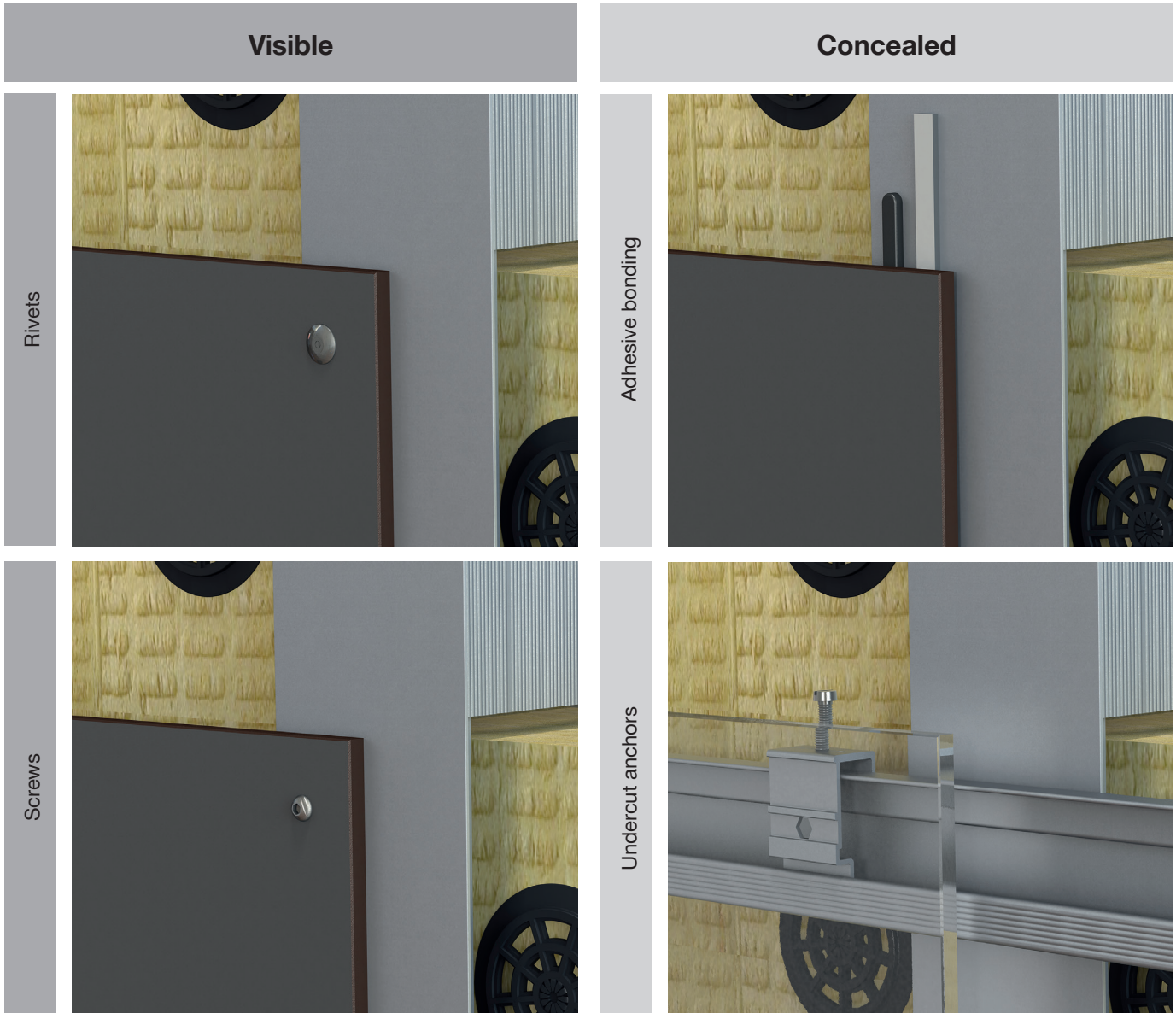
## HIGH-PRESSURE LAMINATE (HPL)

**High-pressure laminate (HPL)** is composed of resin, impregnated paper layers, a decorative paper layer and clear melamin overlay. These sheets are bonded at high pressure and temperature.

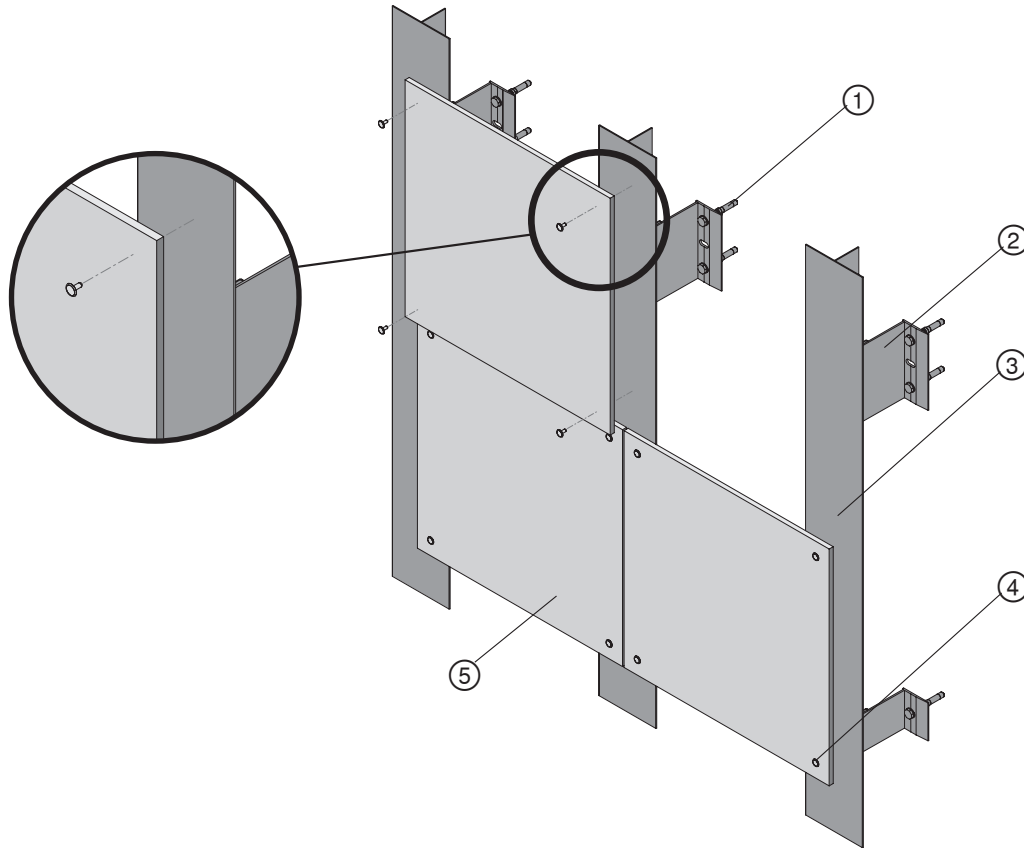




# HIGH-PRESSURE LAMINATE (HPL) – PANEL FASTENING

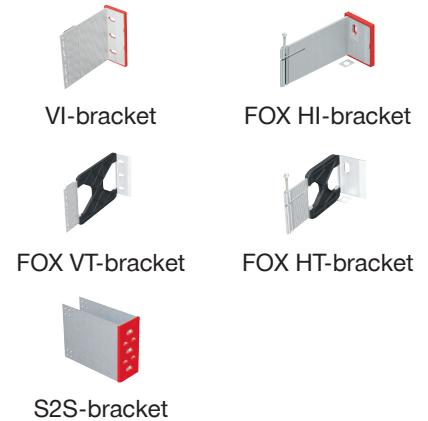


# HPL - VISIBLE RIVETS



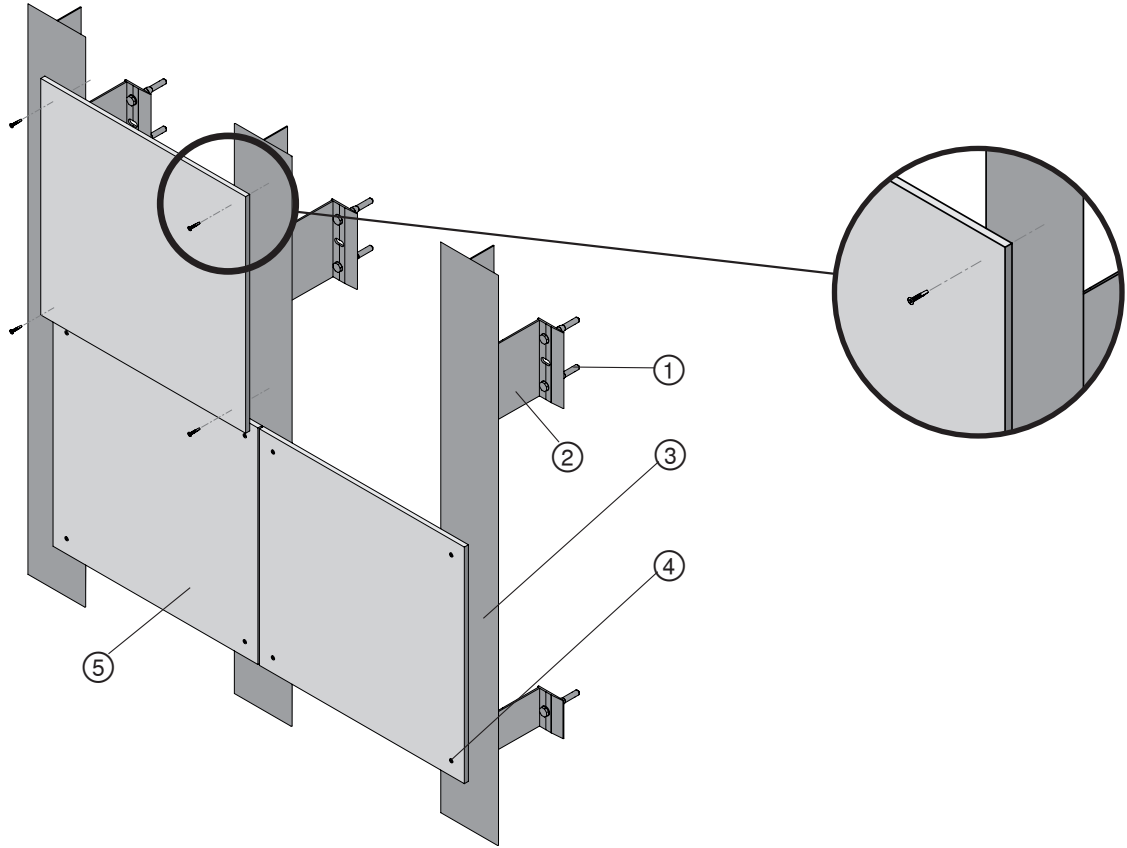
### Bill of materials

Reference	Description	Supplier
①	<b>Bracket fastening</b>	<b>Hilti</b>
②	<b>Bracket</b>	<b>Hilti</b>
③	<b>Rail</b>	<b>Hilti</b>
④	<b>Rivet</b>	<b>Others</b>
⑤	<b>HPL panel</b>	<b>Others</b>



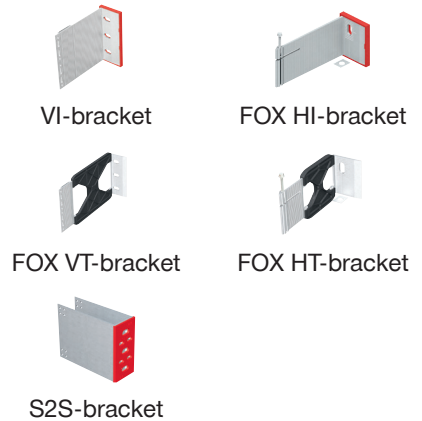
Application								
<b>Application/system description</b>			<b>Base material</b>			<b>Product line</b>		
1	MFT-FOX VI 1L adhesive-rivets-screws	5	MFT-FOX HI 2L adhesive-rivets-screws	Concrete, masonry, metal studs, wood	VI System	2	MFT-FOX VT 1L adhesive-rivets-screws	FOX VT System
3	MFT-S2S 1L adhesive-rivets-screws	7	MFT-FOX HT 2L adhesive-rivets-screws		S2S System	4	MFT-FOX HI 1L rivets-screws	FOX HI System
4	MFT-FOX HI 1L rivets-screws	8	MFT-FOX VI 2L - stulp		FOX HT system	5	MFT-FOX VT 2L-stulp	

# HPL - VISIBLE SCREWS



### Bill of materials

Reference	Description	Supplier
①	<b>Bracket fastening</b>	<b>Hilti</b>
②	<b>Bracket</b>	<b>Hilti</b>
③	<b>Rail</b>	<b>Hilti</b>
④	<b>Screw</b>	<b>Others</b>
⑤	<b>HPL panel</b>	<b>Others</b>



### Application



#### Application/system description

- |  |  |
|--|--|
| 1 MFT-FOX VI 1L adhesive-rivets-screws | 5 MFT-FOX HI 2L adhesive-rivets-screws |
| 2 MFT-FOX VT 1L adhesive-rivets-screws | 6 MFT-FOX HT 1L-rivets-screws          |
| 3 MFT-S2S 1L adhesive-rivets-screws    | 7 MFT-FOX HT 2L adhesive-rivets-screws |
| 4 MFT-FOX HI 1L rivets-screws          | 8 MFT-FOX VI 2L - stulp                |
|  | 9 MFT-FOX VT 2L-stulp                  |

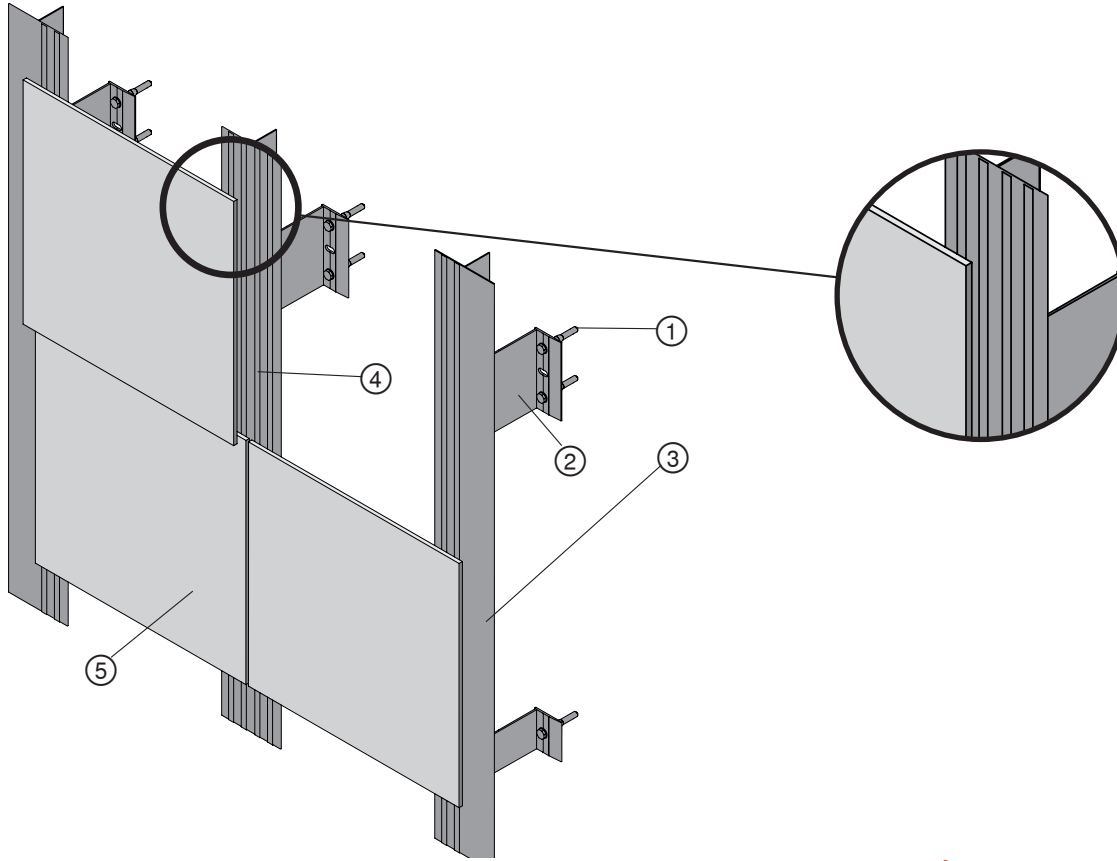
#### Base material

Concrete,  
masonry,  
metal studs,  
wood

#### Product line

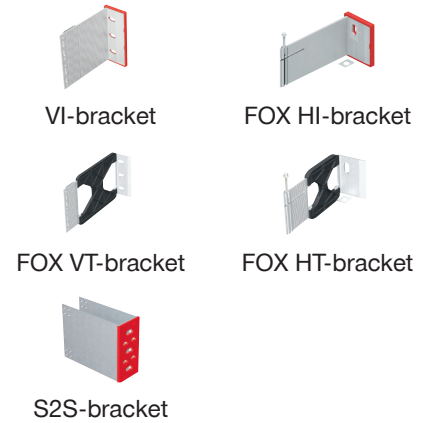
VI System  
FOX VT System  
S2S System  
FOX HI System  
FOX HT system

# HPL - CONCEALED ADHESIVE BONDING

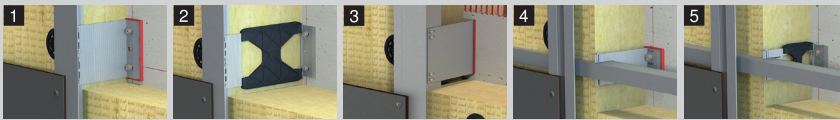


### Bill of materials

Reference	Description	Supplier
①	<b>Bracket fastening</b>	<b>Hilti</b>
②	<b>Bracket</b>	<b>Hilti</b>
③	<b>Rail</b>	<b>Hilti</b>
④	<b>Adhesive bonding material</b>	<b>Others</b>
⑤	<b>HPL panel</b>	<b>Others</b>



### Application



#### Application/system description

- 1 MFT-FOX VI 1L adhesive-rivets-screws
- 2 MFT-FOX VT 1L adhesive-rivets-screws
- 3 MFT-S2S 1L adhesive-rivets-screws
- 4 MFT-FOX HI 2L adhesive rivets-screws
- 5 MFT-FOX HT 2L adhesive-rivets-screws

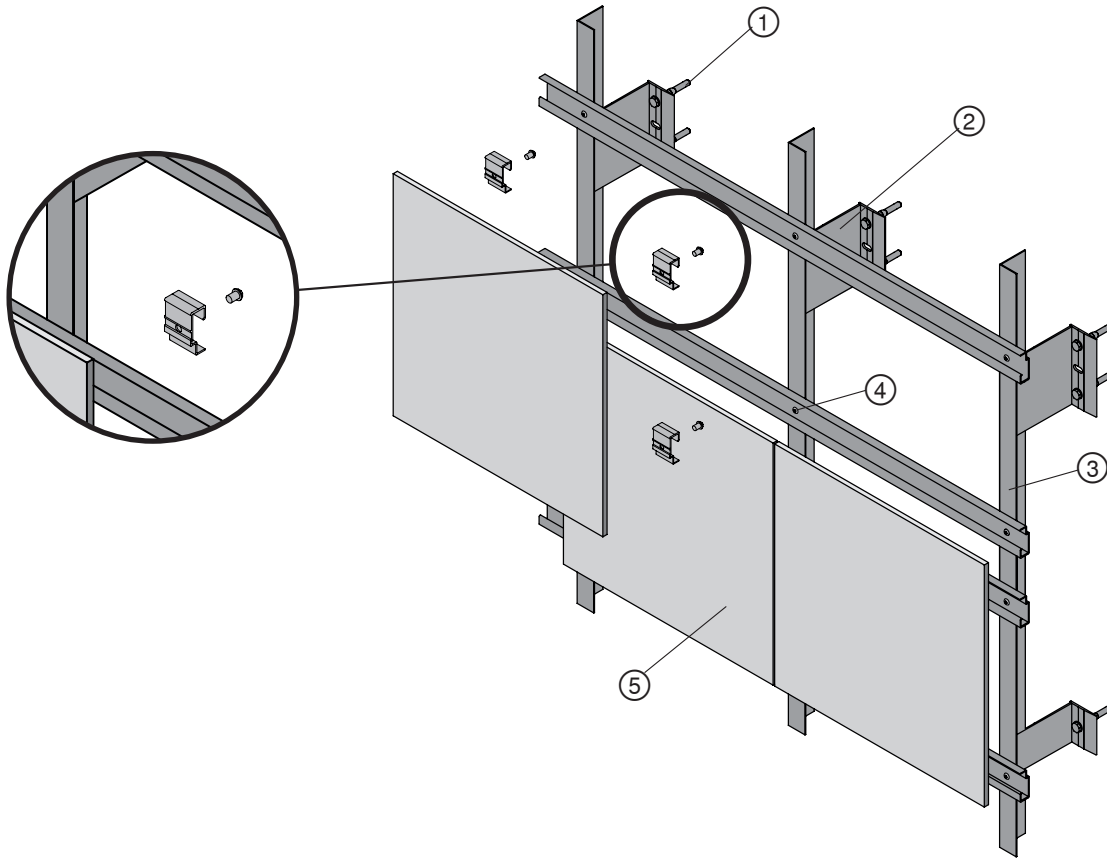
#### Base material

Concrete, masonry, metal studs, wood

#### Product line

VI System  
FOX VT System  
S2S System  
FOX HI System  
FOX HT System

# HPL - CONCEALED UNDERCUT ANCHORS



### Bill of materials

Reference	Description	Supplier
①	<b>Bracket fastening</b>	<b>Hilti</b>
②	<b>Bracket</b>	<b>Hilti</b>
③	<b>Rail</b>	<b>Hilti</b>
④	<b>Hanger and undercut anchor</b>	<b>Hilti</b>
⑤	<b>HPL panel</b>	<b>Others</b>



VI-bracket



FOX VT-bracket



S2S-bracket

### Application



#### Application/system description

- 1 MFT-MFI 2L hangers-undercut-anchors
- 2 MFT-FOX VT 2L hangers-undercut-anchors
- 3 MFT-S2S 2L hangers-undercut-anchors

#### Base material

Concrete,  
masonry,  
metal studs,  
wood

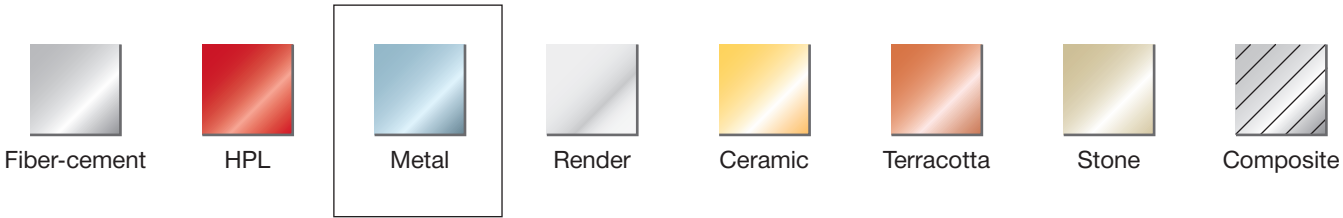
#### Product line

VI System  
FOX VT System  
S2S System



# METAL CLADDING MATERIAL

The metal cladding material can be aluminum, stainless steel, copper or steel. These cladding materials are typically fabricated from thin metal sheets.



# METAL CLADDING MATERIAL - PANEL FASTENING

## Visible

## Concealed

Rivets



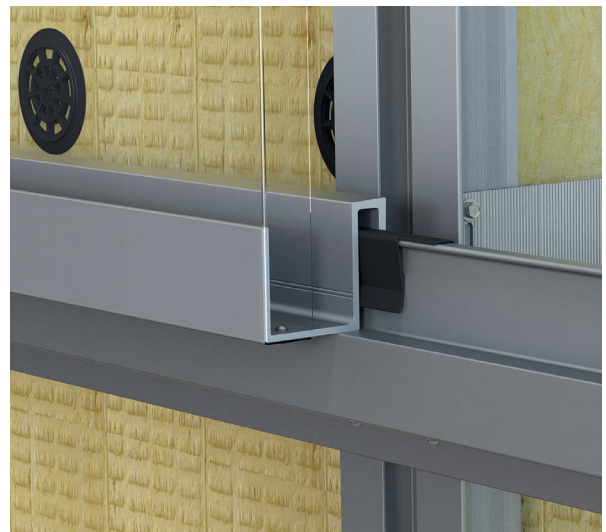
Bolt system



Screws

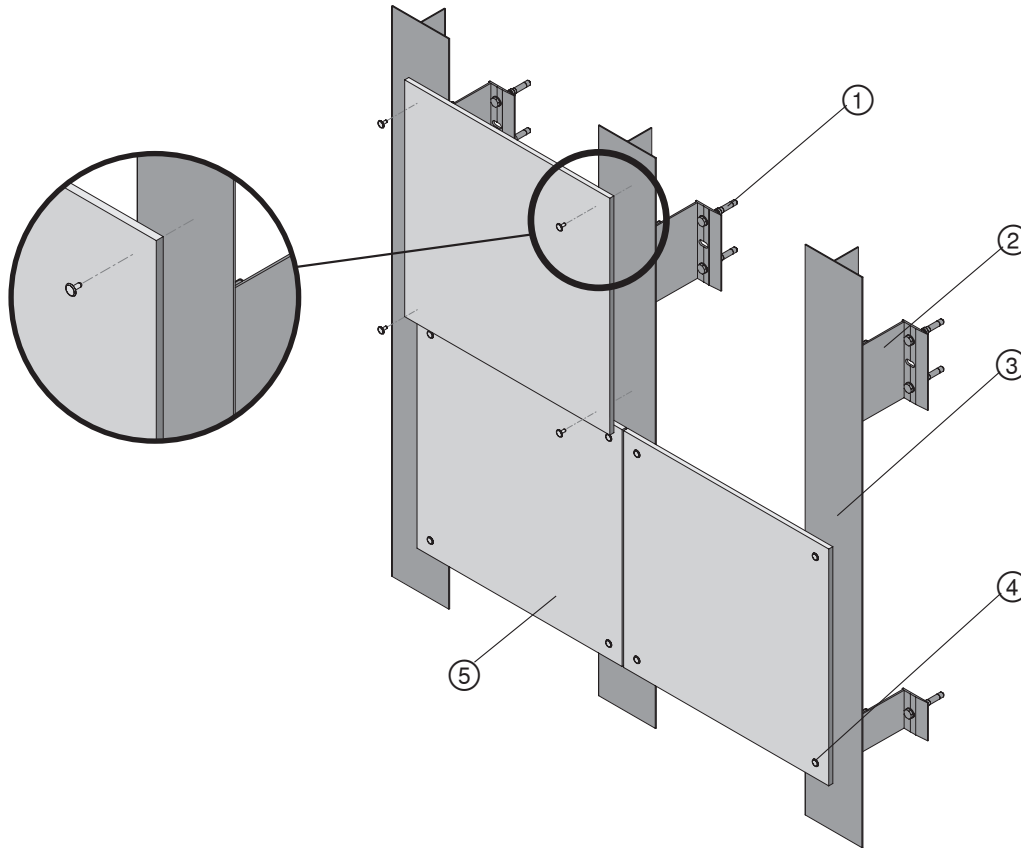


SZ 20 system



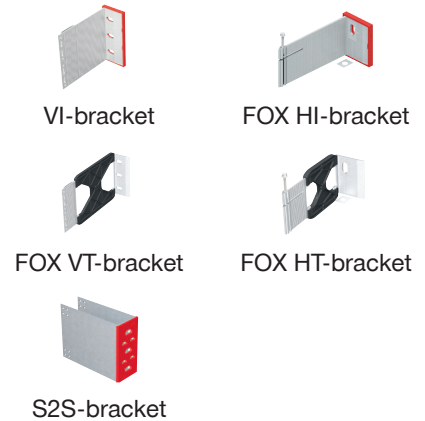


# METAL CLADDING MATERIAL - VISIBLE RIVETS

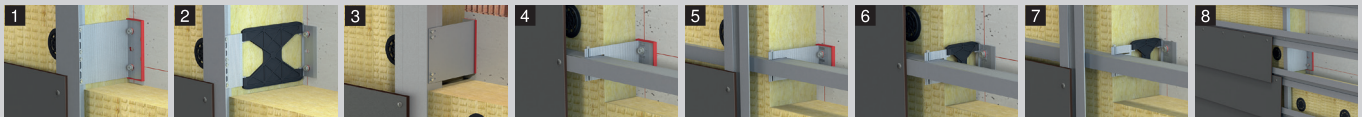


### Bill of materials

Reference	Description	Supplier
①	<b>Bracket fastening</b>	<b>Hilti</b>
②	<b>Bracket</b>	<b>Hilti</b>
③	<b>Rail</b>	<b>Hilti</b>
④	<b>Rivet</b>	<b>Others</b>
⑤	<b>Metal sheet</b>	<b>Others</b>



### Application



### Application/system description

- |  |  |
|--|--|
| 1 MFT-FOX VI 1L adhesive-rivets-screws | 5 MFT-FOX HI 2L adhesive-rivets-screws |
| 2 MFT-FOX VT 1L adhesive-rivets-screws | 6 MFT-FOX HT 1L-rivets-screws          |
| 3 MFT-S2S 1L adhesive-rivets-screws    | 7 MFT-FOX HT 2L adhesive-rivets-screws |
| 4 MFT-FOX HI 1L rivets-screws          | 8 MFT-FOX VI 2L - stulp                |

### Base material

Concrete,  
masonry,  
metal studs,  
wood

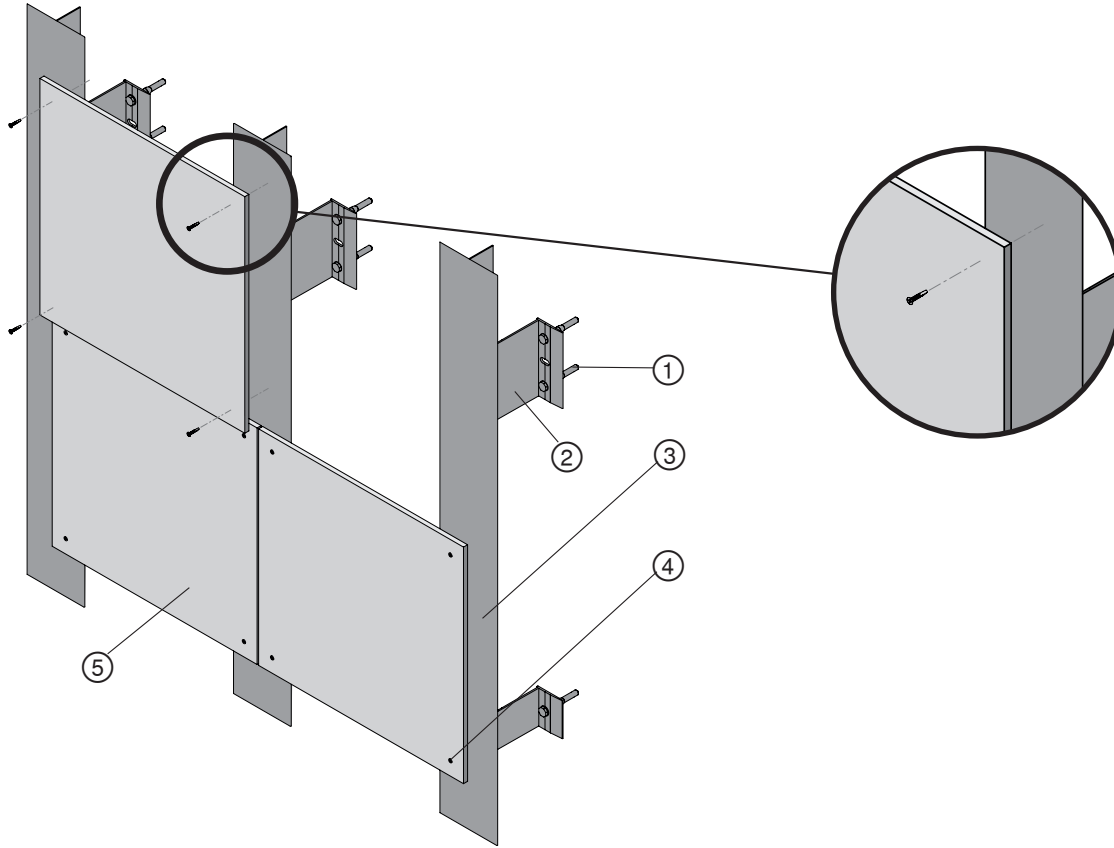
### Product line

VI System  
FOX VT System  
S2S System  
FOX HI System  
FOX HT System

# METAL CLADDING MATERIAL - VISIBLE SCREWS

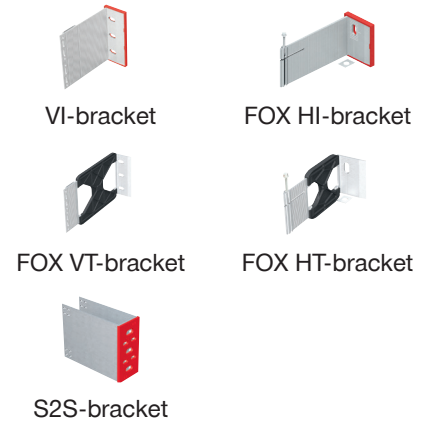


Metal

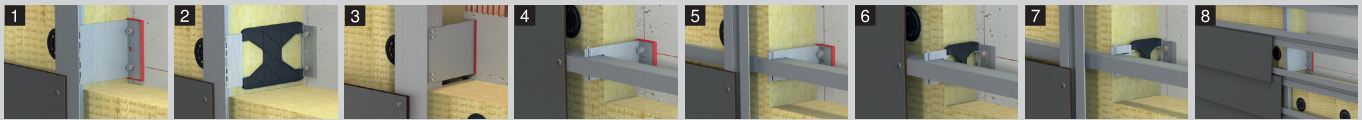


### Bill of materials

Reference	Description	Supplier
①	<b>Bracket fastening</b>	<b>Hilti</b>
②	<b>Bracket</b>	<b>Hilti</b>
③	<b>Rail</b>	<b>Hilti</b>
④	<b>Screw</b>	<b>Others</b>
⑤	<b>Metal sheet</b>	<b>Others</b>



### Application



### Application/system description

- |  |  |
|--|--|
| 1 MFT-FOX VI 1L adhesive-rivets-screws | 5 MFT-FOX HI 2L adhesive-rivets-screws |
| 2 MFT-FOX VT 1L adhesive-rivets-screws | 6 MFT-FOX HT 1L-rivets-screws          |
| 3 MFT-S2S 1L adhesive-rivets-screws    | 7 MFT-FOX HT 2L adhesive-rivets-screws |
| 4 MFT-FOX HI 1L rivets-screws          | 8 MFT-FOX VI 2L - stulp                |

### Base material

Concrete,  
masonry,  
metal studs,  
wood

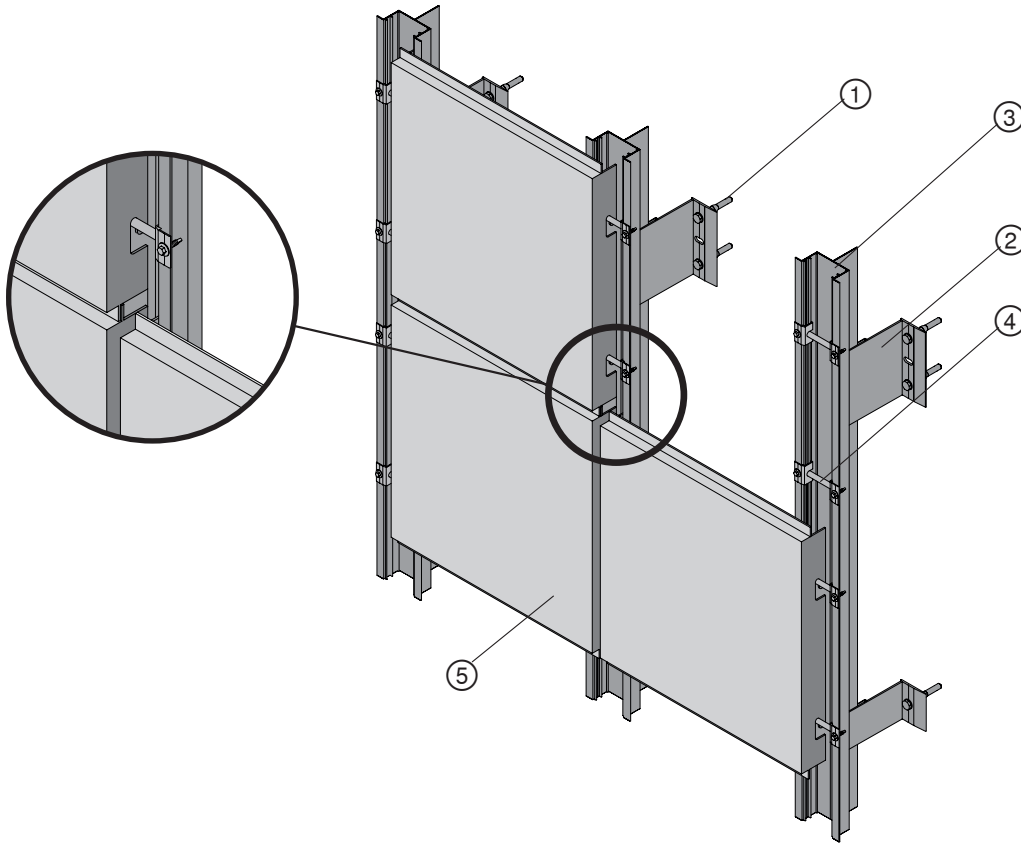
### Product line

VI System  
FOX VT System  
S2S System  
FOX HI System  
FOX HT System

# METAL CLADDING MATERIAL - CONCEALED BOLT SYSTEM



Metal



### Bill of materials

Reference	Description	Supplier
①	<b>Bracket fastening</b>	<b>Hilti</b>
②	<b>Bracket</b>	<b>Hilti</b>
③	<b>Rail</b>	<b>Hilti</b>
④	<b>Bolt system</b>	<b>Hilti</b>
⑤	<b>Metal sheet</b>	<b>Others</b>



VI-bracket



FOX VT-bracket

### Application



### Application/system description

- 1 MFT-MFI 1L bolts
- 2 MFT-FOX VT 1L bolts

### Base material

Concrete,  
masonry,  
metal studs,  
wood

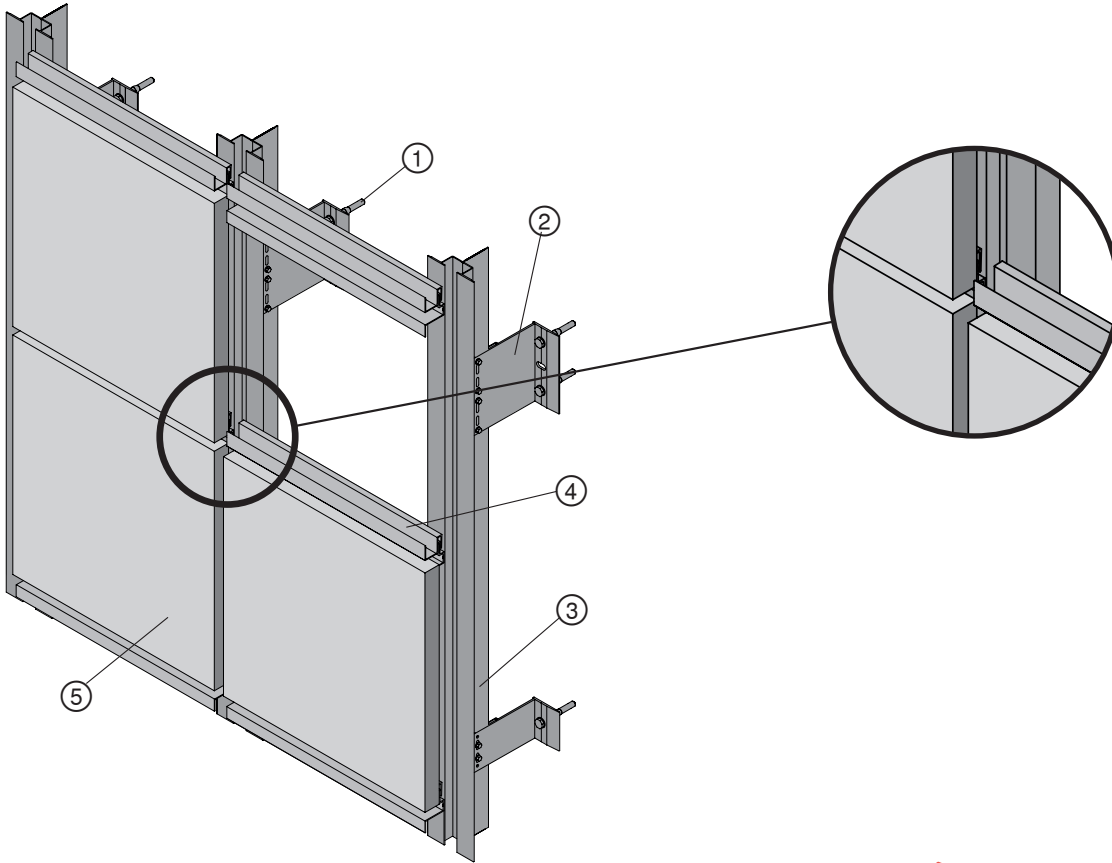
### Product line

VI System  
FOX VT System

# METAL CLADDING MATERIAL - CONCEALED SZ20 SYSTEM



Metal



### Bill of materials

Reference	Description	Supplier
①	<b>Bracket fastening</b>	<b>Hilti</b>
②	<b>Bracket</b>	<b>Hilti</b>
③	<b>Rail</b>	<b>Hilti</b>
④	<b>SZ20 system</b>	<b>Hilti</b>
⑤	<b>Metal sheet</b>	<b>Others</b>



VI-bracket



FOX VT-bracket

### Application



#### Application/system description

- 1 MFT-MFI 2L SZ20 system
- 2 MFT-FOX VT 2L SZ20 system

#### Base material

Concrete,  
masonry,  
metal studs,  
wood








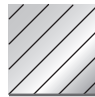
#### Product line

VI System  
FOX VT System



# RENDER

The base for the cladding material is a cement board. After the cement board is installed a layer of **render** is applied.

							
Fiber-cement	HPL	Metal	Render	Ceramic	Terracotta	Stone	Composite



# RENDER – PANEL FASTENING

## Concealed

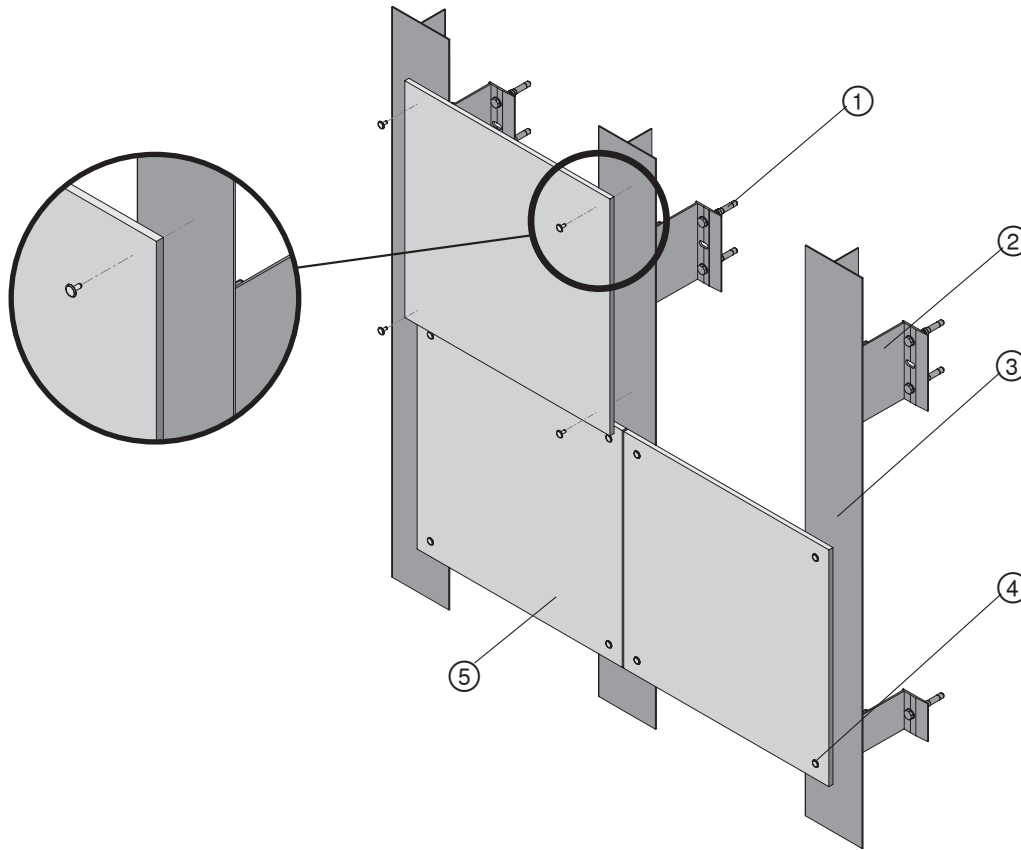




# RENDER – CONCEALED RIVETS



Render



### Bill of materials

Reference	Description	Supplier
①	<b>Bracket fastening</b>	<b>Hilti</b>
②	<b>Bracket</b>	<b>Hilti</b>
③	<b>Rail</b>	<b>Hilti</b>
④	<b>Rivet</b>	<b>Others</b>
⑤	<b>Render panel</b>	<b>Others</b>



VI-bracket



FOX HI-bracket



FOX VT-bracket



FOX HT-bracket



S2S-bracket

### Application



### Application/system description

- |  |  |
|--|--|
| 1 MFT-FOX VI 1L adhesive-rivets-screws | 5 MFT-FOX HI 2L adhesive-rivets-screws |
| 2 MFT-FOX VT 1L adhesive-rivets-screws | 6 MFT-FOX HT 1L-rivets-screws          |
| 3 MFT-S2S 1L adhesive-rivets-screws    | 7 MFT-FOX HT 2L adhesive-rivets-screws |
| 4 MFT-FOX HI 1L adhesive-rivets-screws |  |

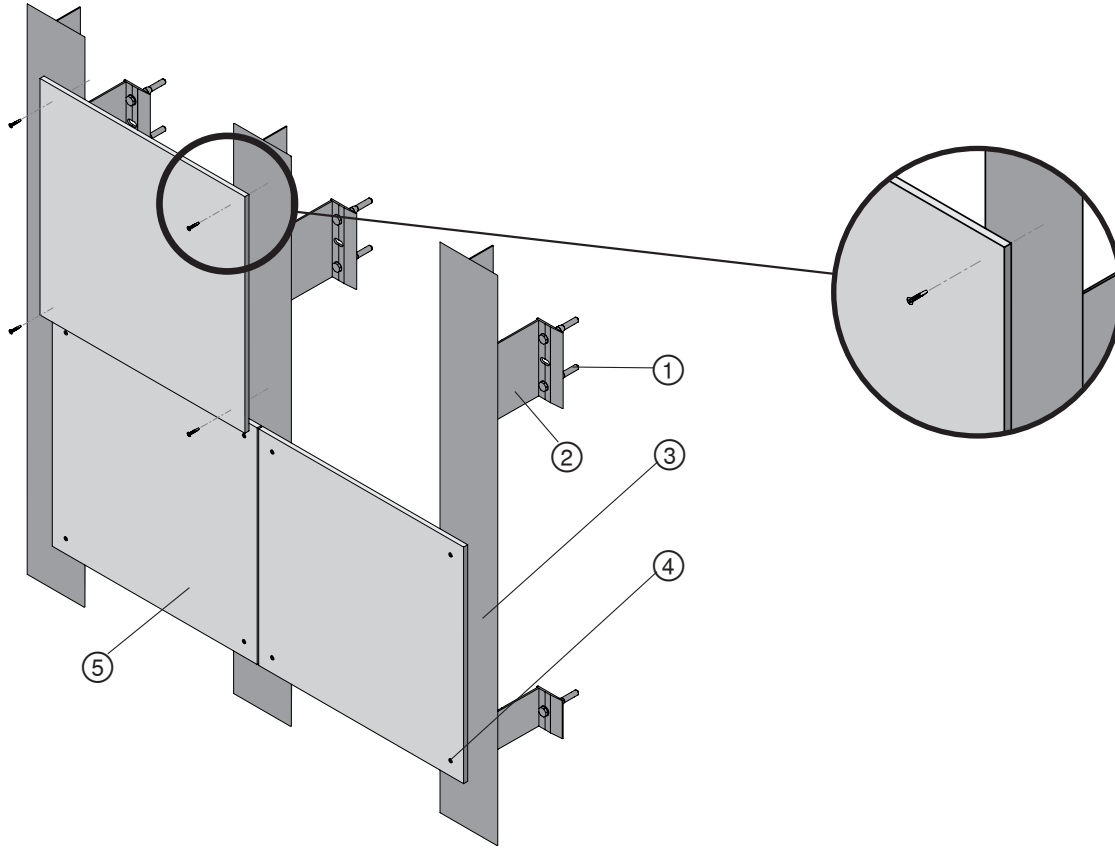
### Base material

Concrete,  
masonry,  
metal studs,  
wood

### Product line

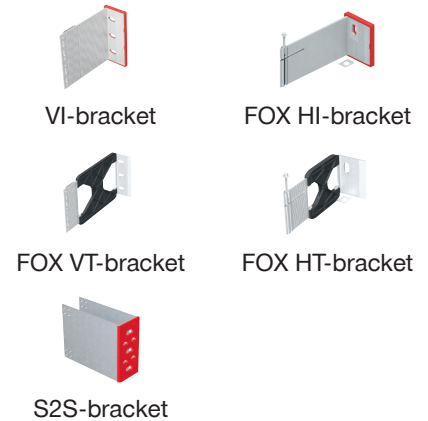
VI System  
FOX VT System  
S2S System  
FOX HI System  
FOX HT System

# RENDER – CONCEALED SCREWS



### Bill of materials

Reference	Description	Supplier
①	<b>Bracket fastening</b>	<b>Hilti</b>
②	<b>Bracket</b>	<b>Hilti</b>
③	<b>Rail</b>	<b>Hilti</b>
④	<b>Screw</b>	<b>Hilti</b>
⑤	<b>Render panel</b>	<b>Others</b>



### Application



### Application/system description

- |  |  |
|--|--|
| 1 MFT-FOX VI 1L adhesive-rivets-screws | 5 MFT-FOX HI 2L adhesive-rivets-screws |
| 2 MFT-FOX VT 1L adhesive-rivets-screws | 6 MFT-FOX HT 1L-rivets-screws          |
| 3 MFT-S2S 1L adhesive-rivets-screws    | 7 MFT-FOX HT 2L adhesive-rivets-screws |
| 4 MFT-FOX HI 1L adhesive-rivets-screws |  |

### Base material

Concrete,  
masonry,  
metal studs,  
wood

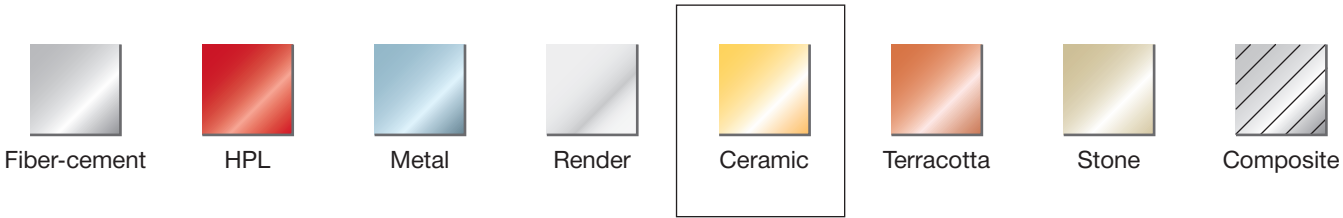
### Product line

VI System  
FOX VT System  
S2S System  
FOX HI System  
FOX HT System



# CERAMIC

Ceramics are composed of natural materials such as quartz, clay, granite and ceramic pigments.



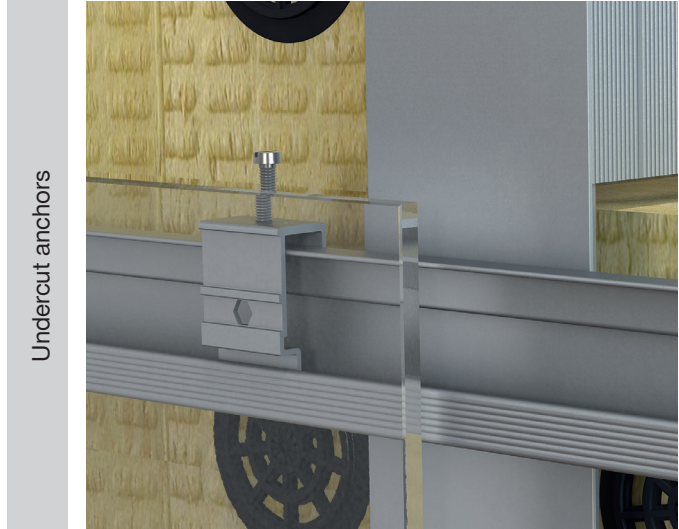


# CERAMIC – PANEL FASTENING

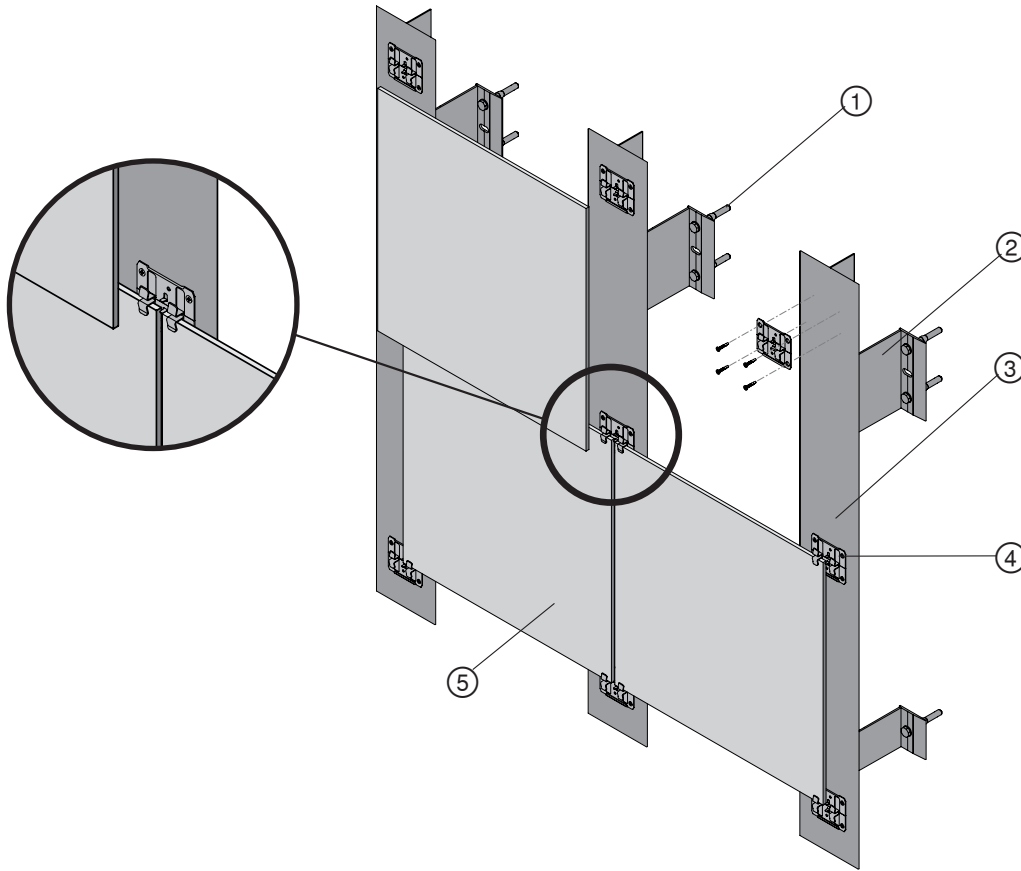
## Visible



## Concealed



# CERAMIC – VISIBLE CLAMPS



### Bill of materials

Reference	Description	Supplier
①	<b>Bracket fastening</b>	<b>Hilti</b>
②	<b>Bracket</b>	<b>Hilti</b>
③	<b>Rail</b>	<b>Hilti</b>
④	<b>Clamp</b>	<b>Hilti</b>
⑤	<b>Ceramic panel</b>	<b>Others</b>



VI-bracket

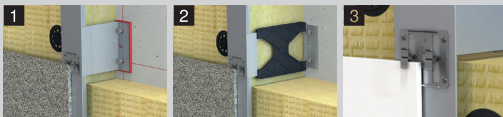


FOX VT-bracket



S2S-bracket

### Application



### Application/system description

- 1 MFT-MFI 1L clamps-stainless steel
- 2 MFT-FOX VT 1L clamps-stainless steel
- 3 MFT-S2S 1L clamps-stainless steel

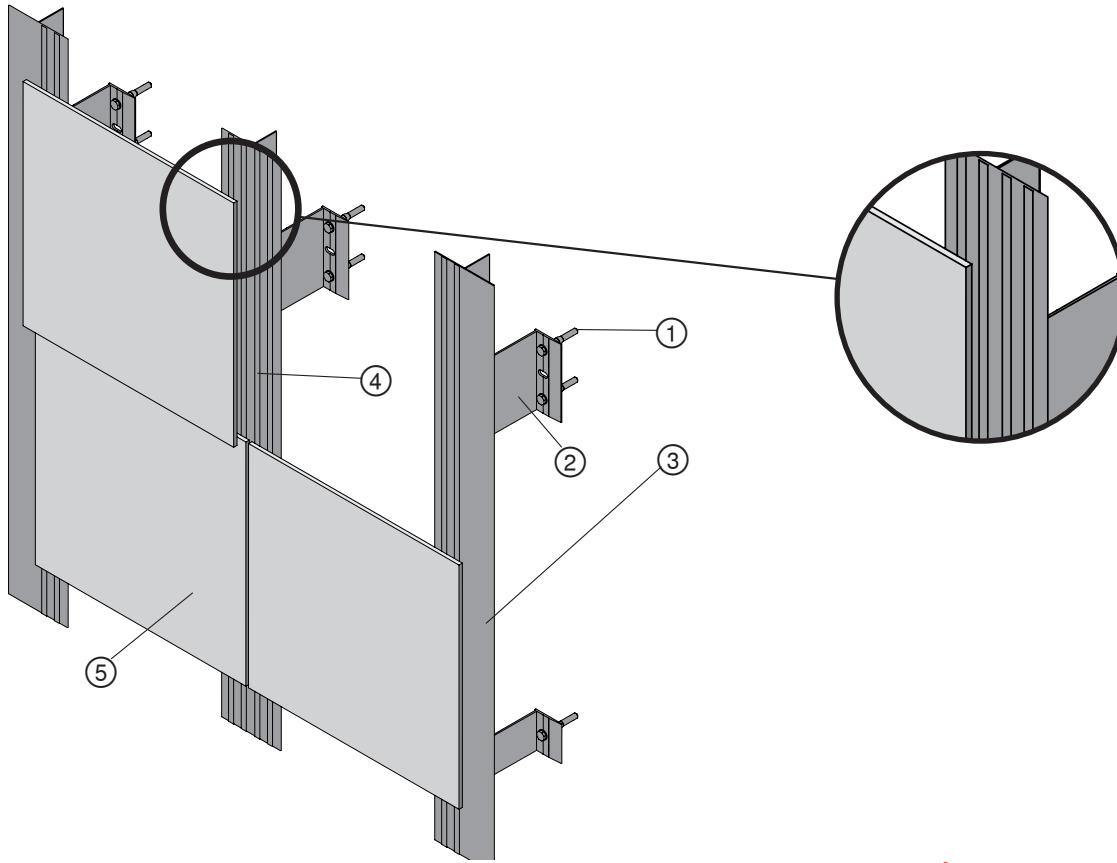
### Base material

Concrete,  
masonry,  
metal studs,  
wood

### Product line

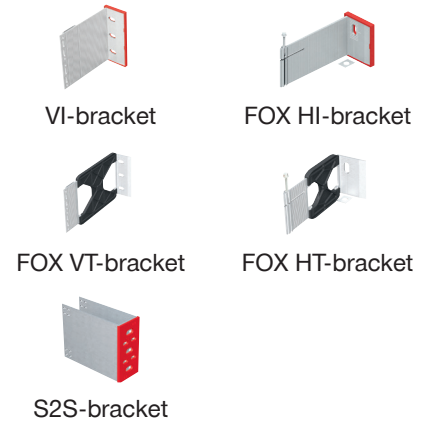
VI System  
FOX VT System  
S2S System

# CERAMIC – CONCEALED ADHESIVE BONDING

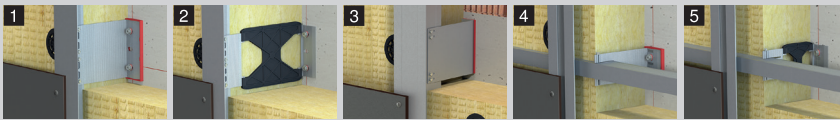


### Bill of materials

Reference	Description	Supplier
①	<b>Bracket fastening</b>	<b>Hilti</b>
②	<b>Bracket</b>	<b>Hilti</b>
③	<b>Rail</b>	<b>Hilti</b>
④	<b>Adhesive bonding material</b>	<b>Others</b>
⑤	<b>Ceramic panel</b>	<b>Others</b>



### Application



### Application/system description

- ① MFT-FOX VI 1L adhesive-rivets-screws      ⑤ MFT-FOX HT 2L adhesive-rivets-screws
- ② MFT-FOX VT 1L adhesive-rivets-screws
- ③ MFT-S2S 1L adhesive-rivets-screws
- ④ MFT-FOX HI 2L adhesive rivets-screws

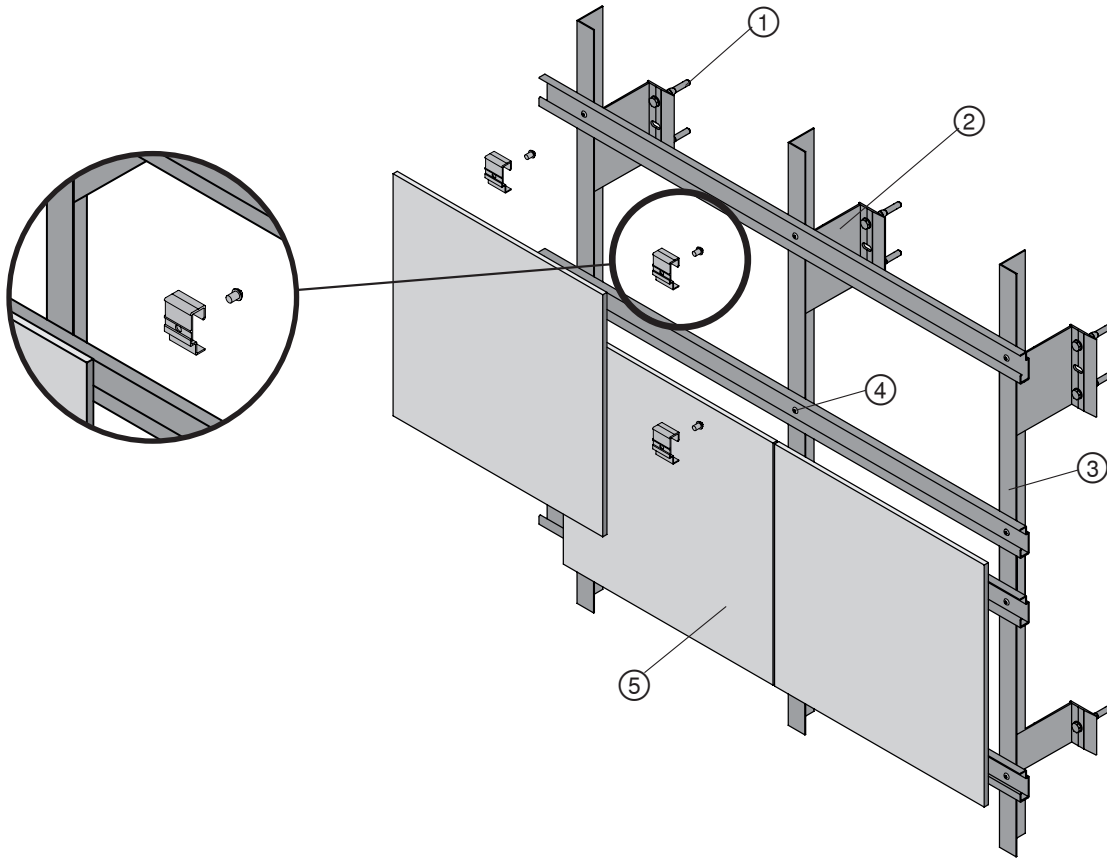
### Base material

Concrete,  
masonry,  
metal studs,  
wood

### Product line

VI System  
FOX VT System  
S2S System  
FOX HI System  
FOX HT System

# CERAMIC – CONCEALED UNDERCUT ANCHORS



### Bill of materials

Reference	Description	Supplier
①	<b>Bracket fastening</b>	<b>Hilti</b>
②	<b>Bracket</b>	<b>Hilti</b>
③	<b>Rail</b>	<b>Hilti</b>
④	<b>Hanger and undercut anchor</b>	<b>Hilti</b>
⑤	<b>Ceramic panel</b>	<b>Others</b>



VI-bracket



FOX VT-bracket



S2S-bracket

### Application



#### Application/system description

- 1 MFT-MFI 2L hangers-undercut-anchors
- 2 MFT-FOX VT 2L hangers-undercut-anchors
- 3 MFT-S2S 2L hangers-undercut-anchors

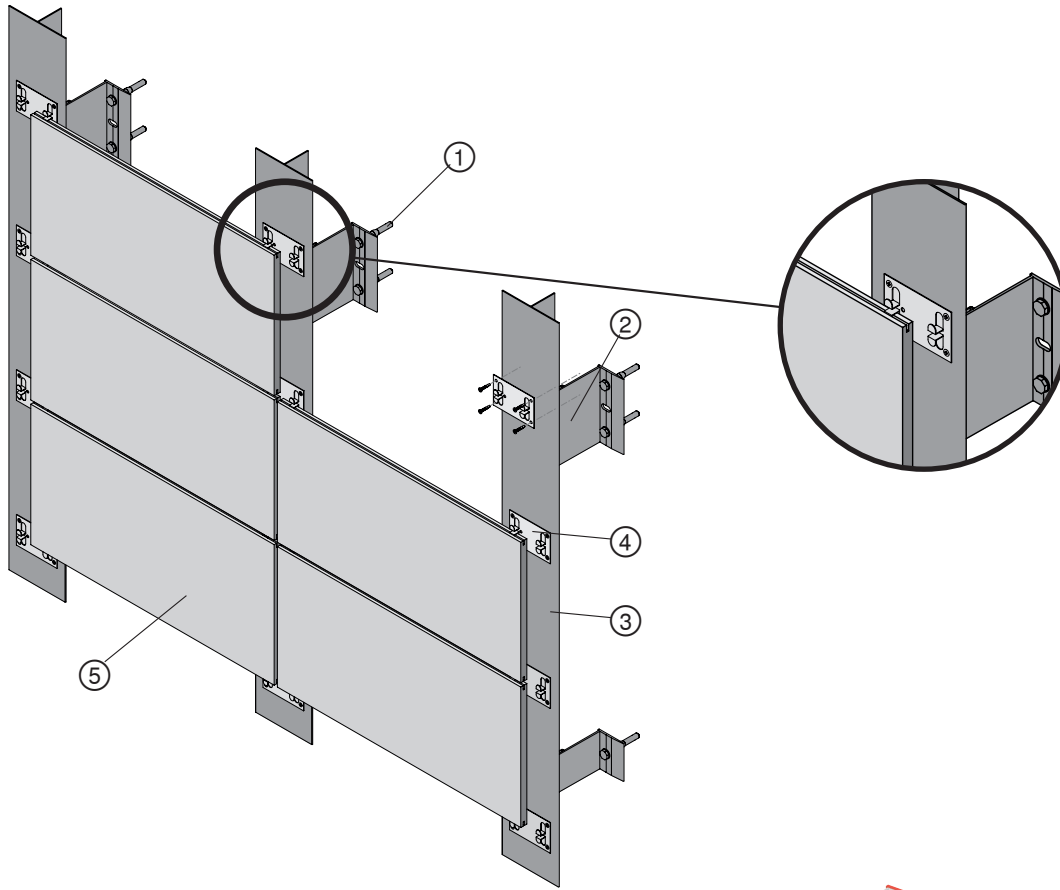
#### Base material

Concrete,  
masonry,  
metal studs,  
wood

#### Product line

VI System  
FOX VT System  
S2S System

# CERAMIC - CONCEALED CLAMPS



### Bill of materials

Reference	Description	Supplier
①	<b>Bracket fastening</b>	<b>Hilti</b>
②	<b>Bracket</b>	<b>Hilti</b>
③	<b>Rail</b>	<b>Hilti</b>
④	<b>Stainless steel clamp</b>	<b>Hilti</b>
⑤	<b>Ceramic panel</b>	<b>Others</b>



VI-bracket



FOX VT-bracket



S2S-bracket

### Application



### Application/system description

- 1 MFT-MF1 1L hidden clamps
- 2 MFT-FOX VT 1L hidden clamps
- 3 MFT-S2S 1L hidden clamps

### Base material

Concrete,  
masonry,  
metal studs,  
wood

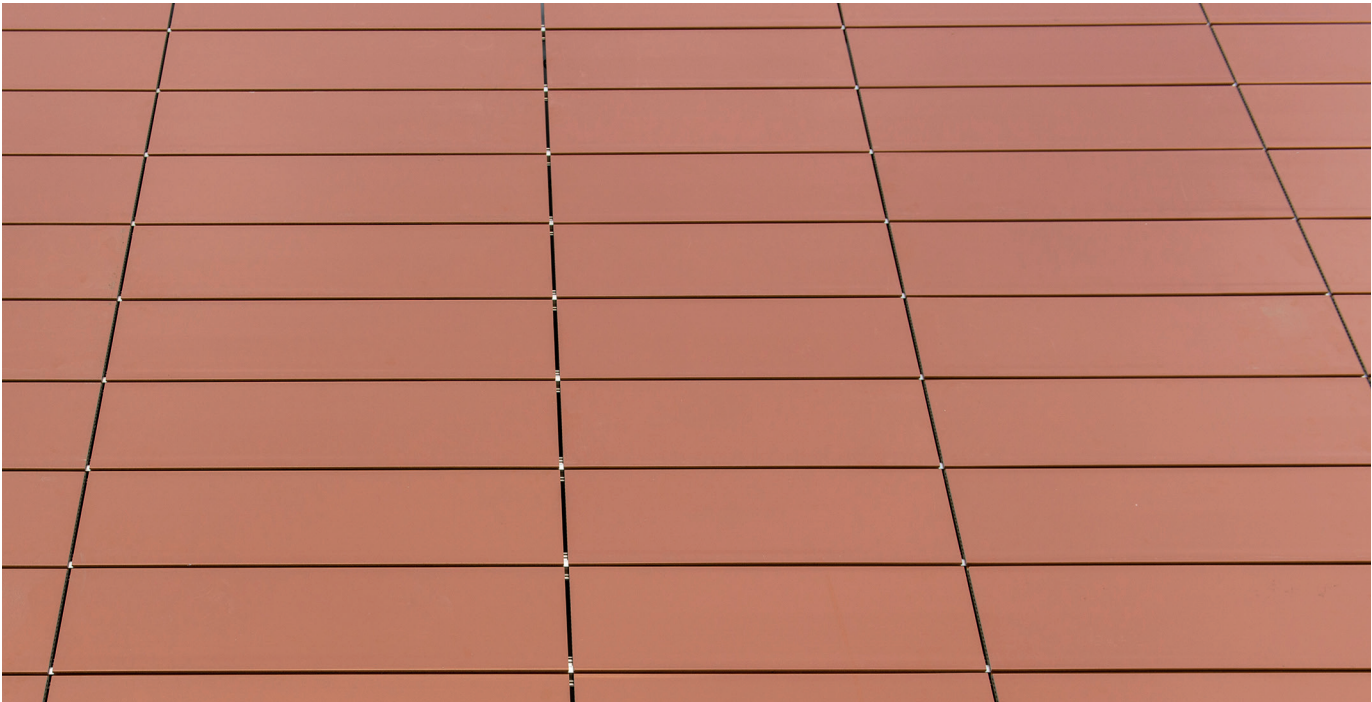
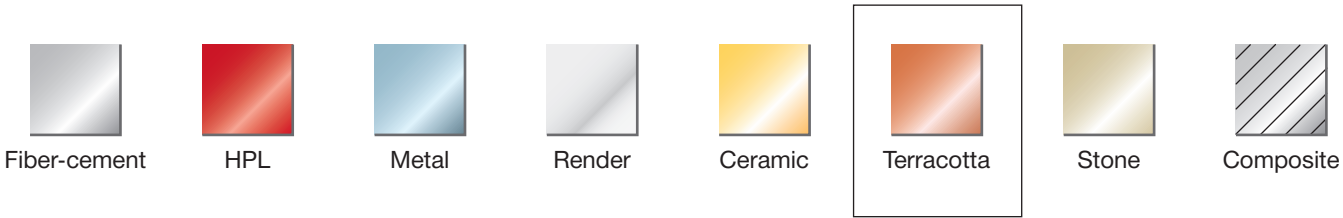
### Product line

VI System  
FOX VT System  
S2S System



# TERRACOTTA

Terracotta is a clay-based unglazed or glazed ceramic cladding material.



# TERRACOTTA - PANEL FASTENING

## Concealed

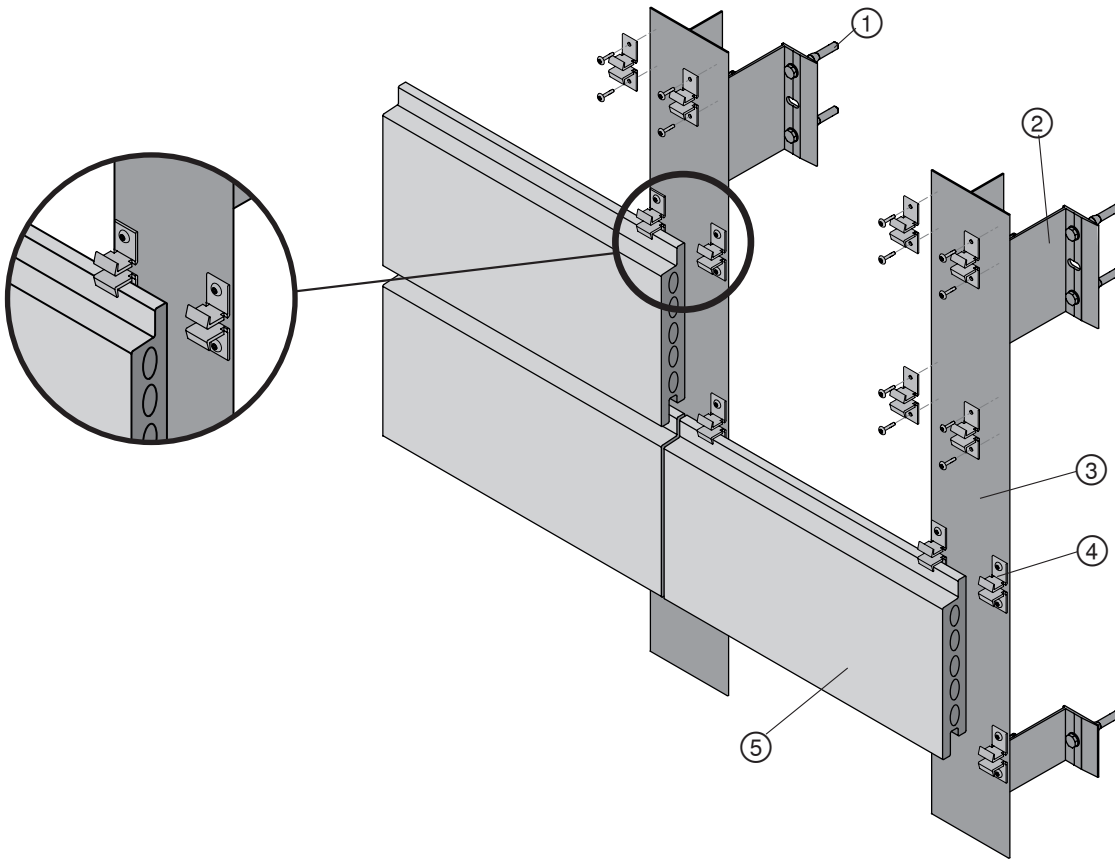




# TERRACOTTA - CONCEALED CLAMPS



Terracotta



### Bill of materials

Reference	Description	Supplier
①	<b>Bracket fastening</b>	<b>Hilti</b>
②	<b>Bracket</b>	<b>Hilti</b>
③	<b>Rail</b>	<b>Hilti</b>
④	<b>Aluminum clamp</b>	<b>Hilti</b>
⑤	<b>Ceramic panel</b>	<b>Others</b>



VI-bracket

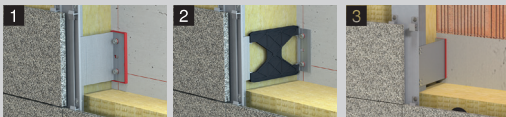


FOX VT-bracket



S2S-bracket

### Application



### Application/system description

- 1 MFT-MFI 1L clamps-aluminum
- 2 MFT-FOX VT 1L clamps-aluminum
- 3 MFT-S2S 1L clamps-aluminum

### Base material

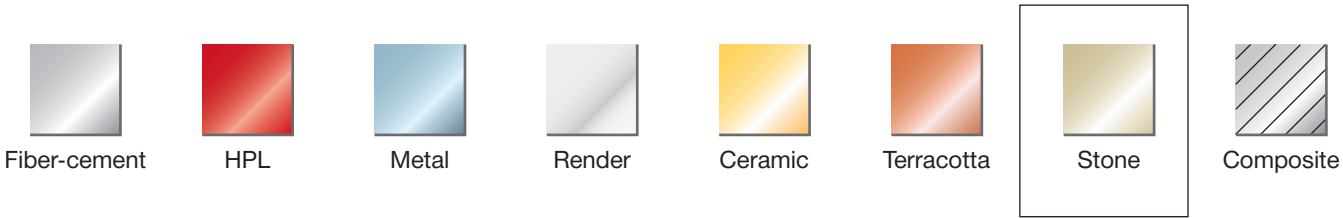
Concrete,  
masonry,  
metal studs,  
wood

### Product line

VI System  
FOX VT System  
S2S System

# STONE

Stone panels are made from natural stone.



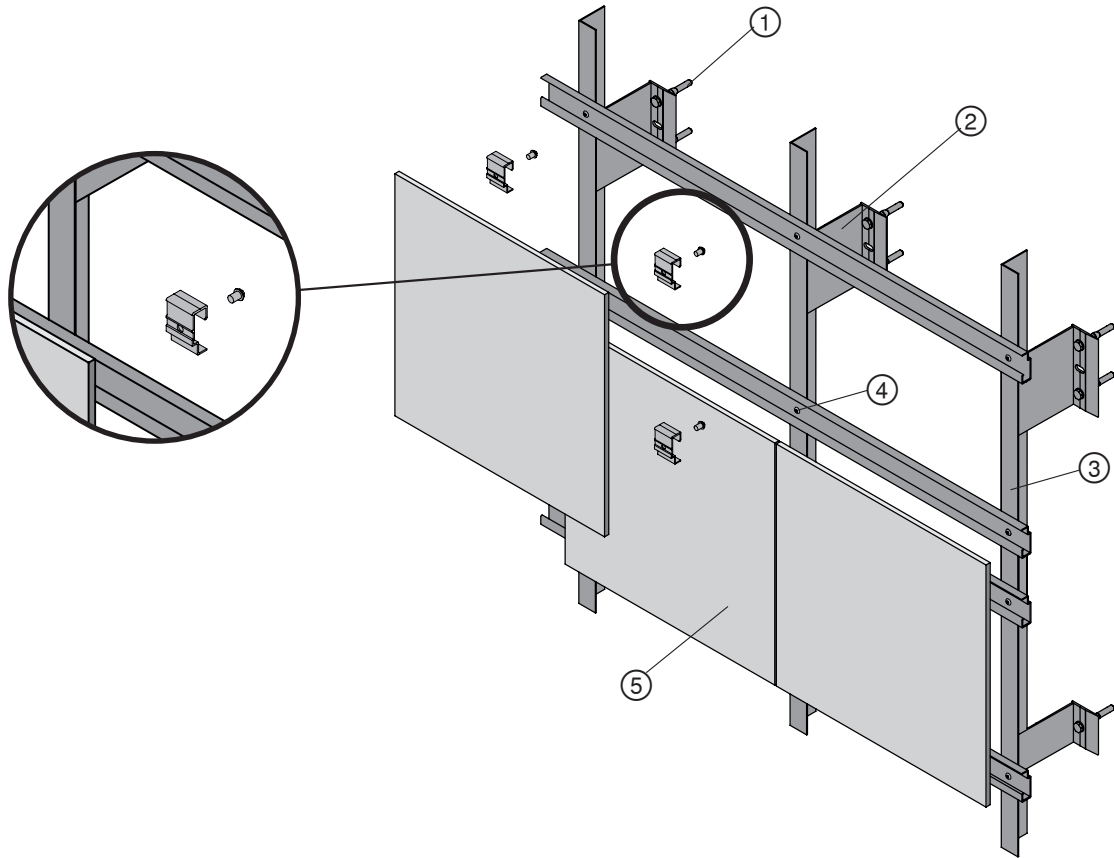


# STONE – PANEL FASTENING

## Concealed



# STONE - CONCEALED UNDERCUT ANCHORS



### Bill of materials

Reference	Description	Supplier
①	<b>Bracket fastening</b>	<b>Hilti</b>
②	<b>Bracket</b>	<b>Hilti</b>
③	<b>Rail</b>	<b>Hilti</b>
④	<b>Hanger and undercut anchor</b>	<b>Hilti</b>
⑤	<b>Stone panel</b>	<b>Others</b>



VI-bracket



FOX VT-bracket



S2S-bracket

### Application



#### Application/system description

- 1 MFT-MFI 2L hangers-undercut-anchors
- 2 MFT-FOX VT 2L hangers-undercut-anchors
- 3 MFT-S2S 2L hangers-undercut-anchors

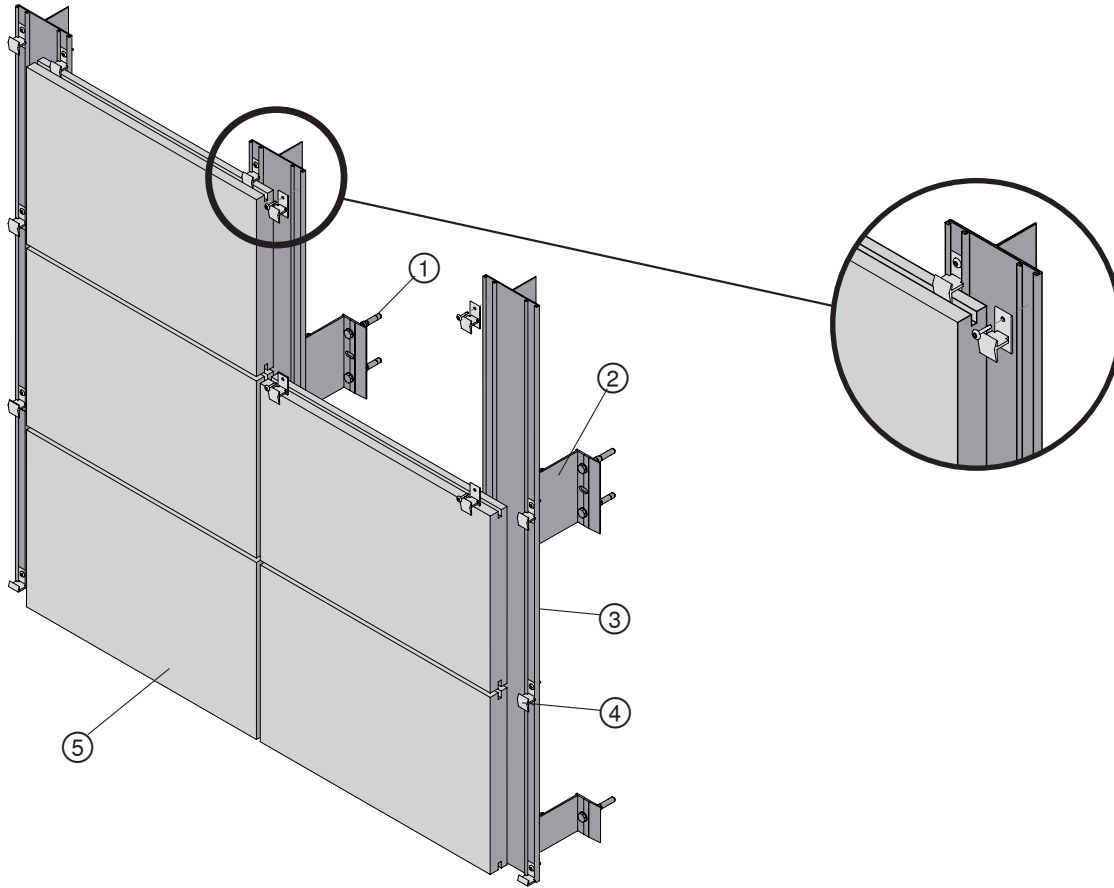
#### Base material

Concrete,  
masonry,  
metal studs,  
wood

#### Product line

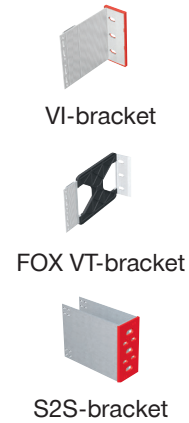
VI System  
FOX VT System  
S2S System

# STONE - CONCEALED CLAMPS

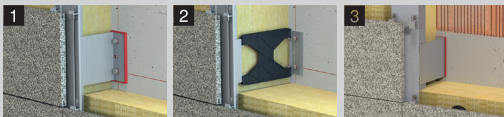


**Bill of materials**

Reference	Description	Supplier
①	<b>Bracket fastening</b>	<b>Hilti</b>
②	<b>Bracket</b>	<b>Hilti</b>
③	<b>Rail</b>	<b>Hilti</b>
④	<b>Clamps</b>	<b>Hilti</b>
⑤	<b>Stone panel</b>	<b>Others</b>



**Application**



**Application/system description**

- 1 MFT-MFI 1L clamps-aluminum
- 2 MFT-FOX VT 1L clamps-aluminum
- 3 MFT-S2S 1L clamps-aluminum

**Base material**

Concrete,  
masonry,  
metal studs,  
wood

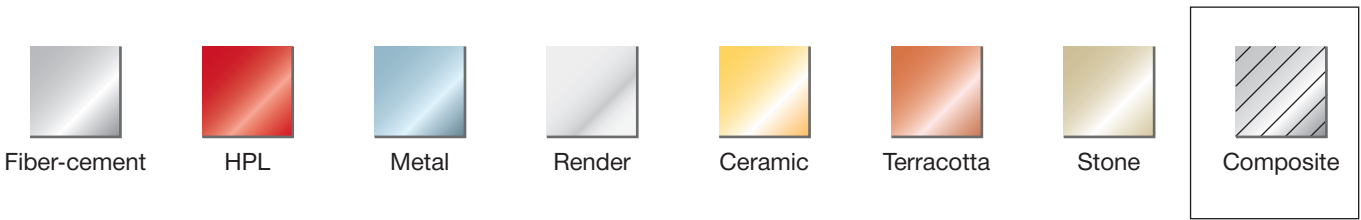
**Product line**

VI System  
FOX VT System  
S2S System



# COMPOSITE

Composite cladding materials consist of two aluminum layers and a mineral or plastic core.



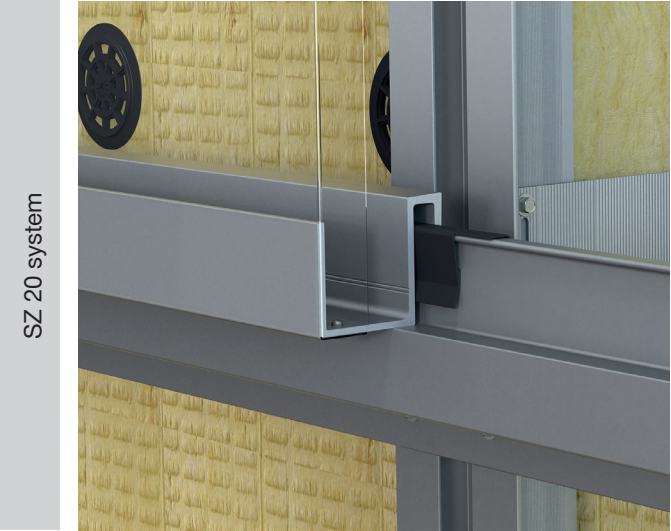


# COMPOSITE - PANEL FASTENING

## Visible



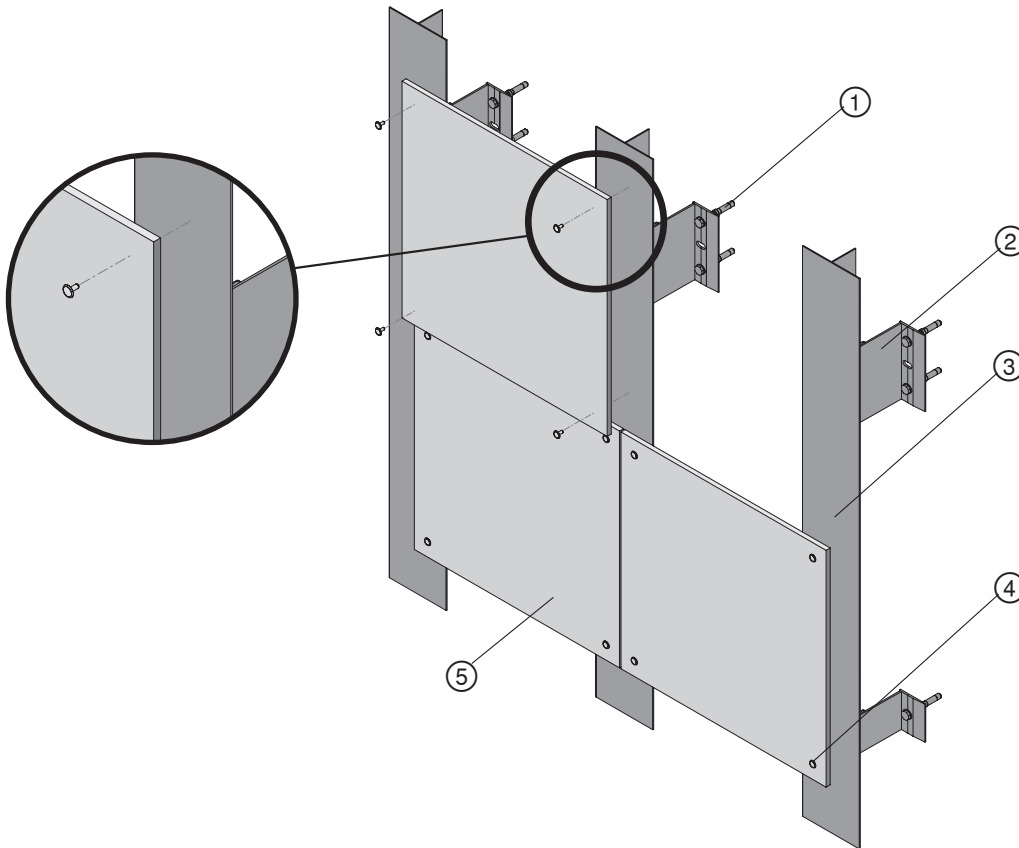
## Concealed



# COMPOSITE - VISIBLE RIVETS



Composite



### Bill of materials

Reference	Description	Supplier
①	<b>Bracket fastening</b>	<b>Hilti</b>
②	<b>Bracket</b>	<b>Hilti</b>
③	<b>Rail</b>	<b>Hilti</b>
④	<b>Rivet</b>	<b>Others</b>
⑤	<b>Composite sheet</b>	<b>Others</b>



VI-bracket



FOX HI-bracket



FOX VT-bracket



FOX HT-bracket



S2S-bracket

### Application



### Application/system description

- |  |  |
|--|--|
| 1 MFT-FOX VI 1L adhesive-rivets-screws | 5 MFT-FOX HI 2L adhesive-rivets-screws |
| 2 MFT-FOX VT 1L adhesive-rivets-screws | 6 MFT-FOX HT 1L rivets-screws          |
| 3 MFT-S2S 1L adhesive-rivets-screws    | 7 MFT-FOX HT 2L adhesive-rivets-screws |
| 4 MFT-FOX HI 1L rivets-screws          | 8 MFT-MFI 2L stulp                     |

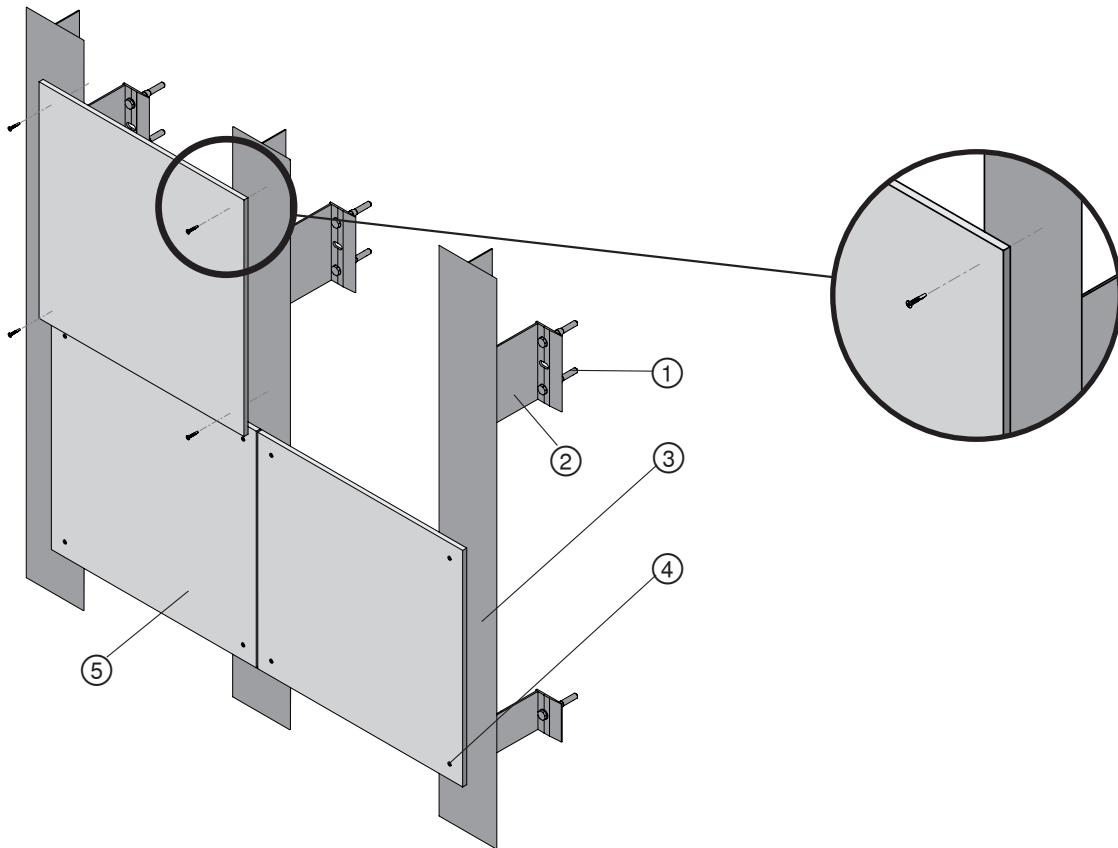
### Base material

Concrete,  
masonry,  
metal studs,  
wood

### Product line

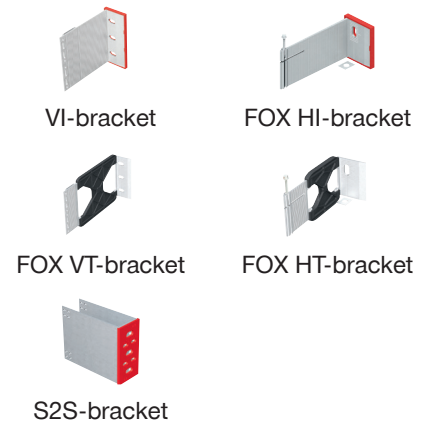
VI System  
FOX VT System  
S2S System  
FOX HI System  
FOX HT System

# COMPOSITE - VISIBLE SCREWS

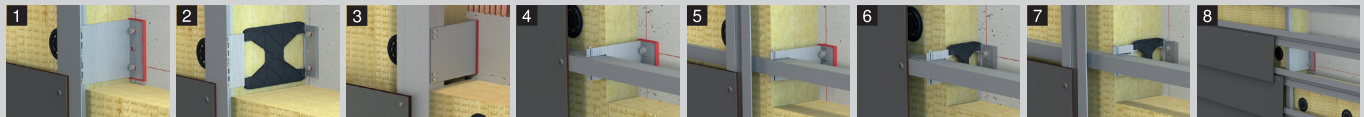


### Bill of materials

Reference	Description	Supplier
①	<b>Bracket fastening</b>	<b>Hilti</b>
②	<b>Bracket</b>	<b>Hilti</b>
③	<b>Rail</b>	<b>Hilti</b>
④	<b>Screw</b>	<b>Others</b>
⑤	<b>Composite sheet</b>	<b>Others</b>



### Application



### Application/system description

- |  |  |
|--|--|
| 1 MFT-FOX VI 1L adhesive-rivets-screws | 5 MFT-FOX HI 2L adhesive-rivets-screws |
| 2 MFT-FOX VT 1L adhesive-rivets-screws | 6 MFT-FOX HT 1L rivets-screws          |
| 3 MFT-S2S 1L adhesive-rivets-screws    | 7 MFT-FOX HT 2L adhesive-rivets-screws |
| 4 MFT-FOX HI 1L rivets-screws          | 8 MFT-MFI 2L stulp                     |

### Base material

Concrete,  
 masonry,  
 metal studs,  
 wood

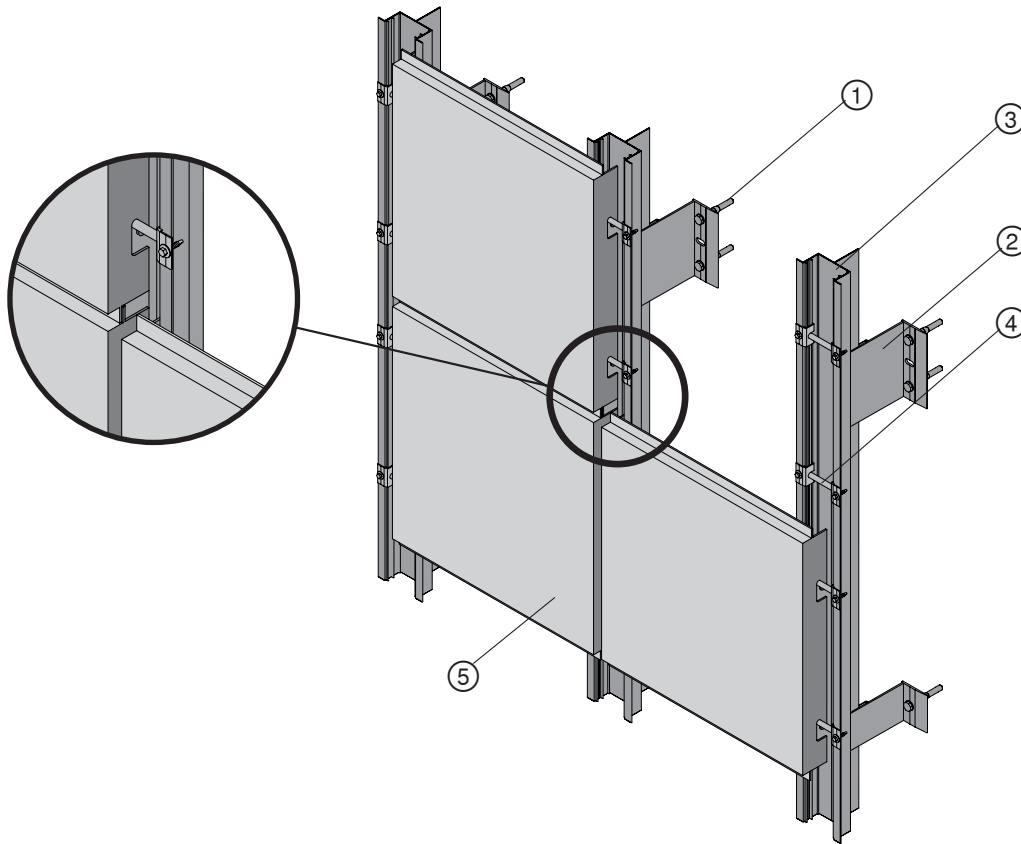
### Product line

VI System  
 FOX VT System  
 S2S System  
 FOX HI System  
 FOX HT System

# COMPOSITE - CONCEALED BOLT SYSTEM



Composite



### Bill of materials

Reference	Description	Supplier
①	<b>Bracket fastening</b>	<b>Hilti</b>
②	<b>Bracket</b>	<b>Hilti</b>
③	<b>Rail</b>	<b>Hilti</b>
④	<b>Bolt system</b>	<b>Hilti</b>
⑤	<b>Composite sheet</b>	<b>Others</b>

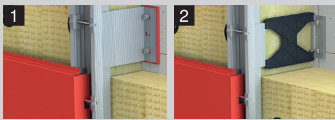


VI-bracket



FOX VT-bracket

### Application



### Application/system description

- 1 MFT-MFI 1L bolts
- 2 MFT-FOX VT 1L bolts

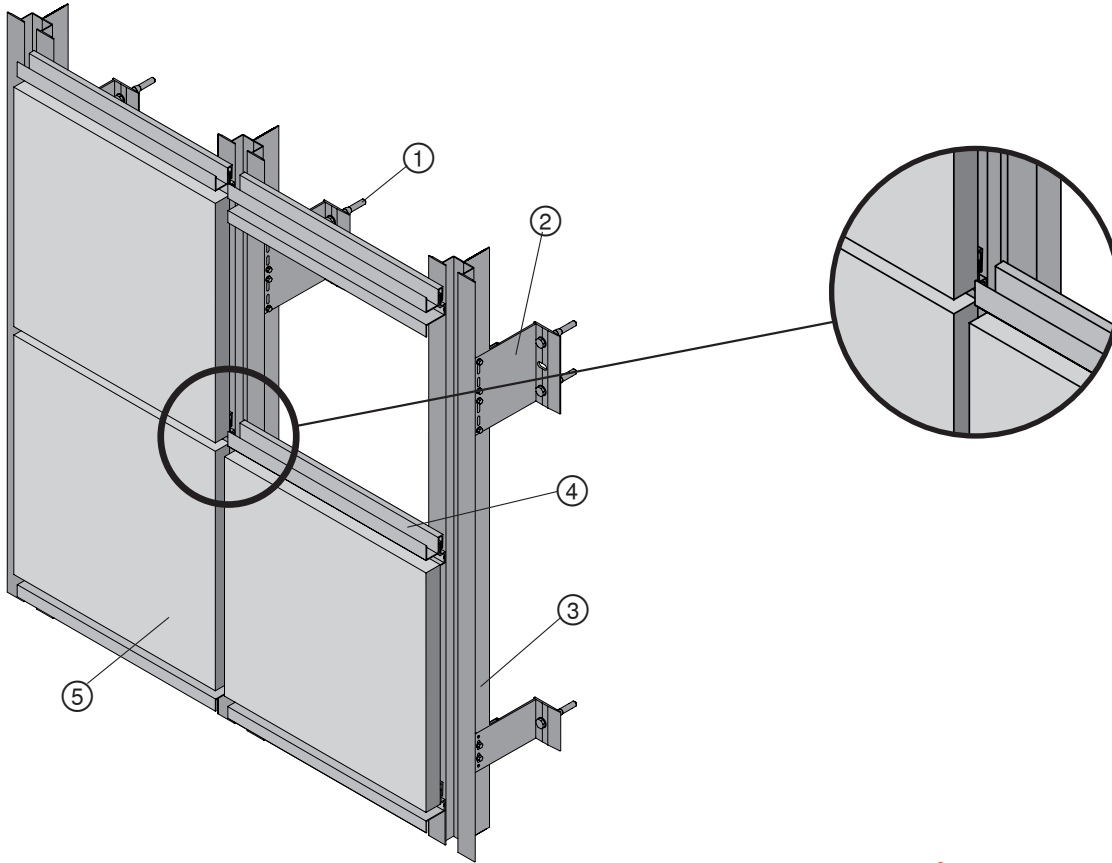
### Base material

Concrete,  
masonry,  
metal studs,  
wood

### Product line

VI System  
FOX VT System

# COMPOSITE - CONCEALED SZ20 SYSTEM



### Bill of materials

Reference	Description	Supplier
①	<b>Bracket fastening</b>	<b>Hilti</b>
②	<b>Bracket</b>	<b>Hilti</b>
③	<b>Rail</b>	<b>Hilti</b>
④	<b>SZ20 system</b>	<b>Hilti</b>
⑤	<b>Composite sheet</b>	<b>Others</b>



### Application



#### Application/system description

- 1 MFT-MFI 2L SZ20 system
- 2 MFT-FOX VT 2L SZ20 system

#### Base material

Concrete,  
masonry,  
metal studs,  
wood

#### Product line

VI System  
FOX VT System



**In the US:**

Hilti, Inc.  
7250 Dallas Parkway, Suite 1000, Plano, TX 75024  
Customer Service: 1-800-879-8000  
en español: 1-800-879-5000  
Fax: 1-800-879-7000

[www.hilti.com](http://www.hilti.com)

Hilti is an equal opportunity employer.  
Hilti is a registered trademark of Hilti Corp.  
©Copyright 2022 by Hilti, Inc.

**In Canada:**

Hilti (Canada) Corporation  
2201 Bristol Circle  
Oakville ON | L6H 0J8  
Canada  
Customer Service: 1-800-363-4458  
Fax: 1-800-363-4459

[www.hilti.ca](http://www.hilti.ca)



The data contained in this literature was current as of the date of publication. Updates and changes may be made based on later testing. If verification is needed that the data is still current, please contact the Hilti Technical Support Specialists at 1-800-879-8000. All published load values contained in this literature represent the results of testing by Hilti or test organizations. Local base materials were used. Because of variations in materials, on-site testing is necessary to determine performance at any specific site. Laser beams represented by red lines in this publication. Printed in the United States.