

UL/cUL SYSTEM NO. C-AJ-2885

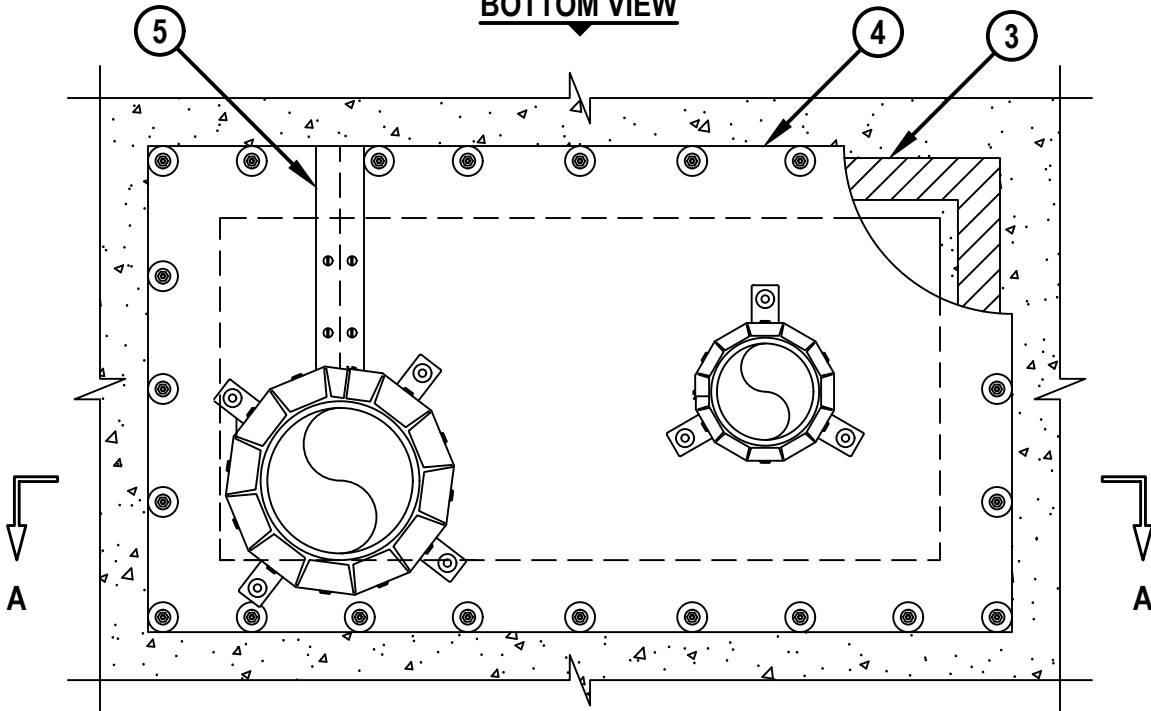
PLASTIC PIPE THROUGH FLOOR/WALL OR BLOCK WALL ASSEMBLY

F-RATING = 2-HR.

T-RATING = 0-HR.

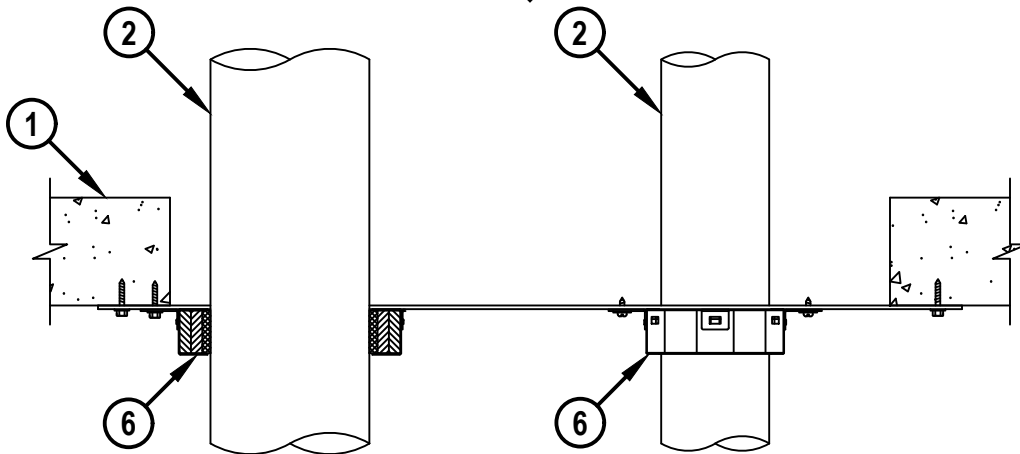
NOTE : TESTED WITH A 2.5 Pa PRESSURE DIFFERENTIAL

BOTTOM VIEW



CAJ12885b.091322

SECTION A-A



1. CONCRETE FLOOR OR WALL ASSEMBLY (2-HR. FIRE-RATING) :

A. LIGHTWEIGHT OR NORMAL WEIGHT CONCRETE FLOOR OR WALL (MINIMUM 4-1/2" THICK).

B. ANY UL/cUL CLASSIFIED CONCRETE BLOCK WALL.



Hilti Firestop Systems

HILTI, Inc.
Plano, Texas USA (800) 879-8000

Sheet 1 of 2

Scale 1/8" = 1"

Date Sep. 13, 2022

Drawing No.

**CAJ
2885b**

Saving Lives through Innovation and Education

PLASTIC PIPE THROUGH FLOOR/WALL OR BLOCK WALL ASSEMBLY

F-RATING = 2-HR.

T-RATING = 0-HR.

NOTE : TESTED WITH A 2.5 Pa PRESSURE DIFFERENTIAL

CAJ12885b.091322

2. PENETRATING ITEMS MAY CONSIST OF ONE OR MORE OF THE FOLLOWING NONMETALLIC PIPES OR CONDUITS :
 - A. MAXIMUM 6" NOMINAL DIAMETER PVC PLASTIC PIPE (SCHEDULE 40) (CLOSED OR VENTED PIPING SYSTEM).
 - B. MAXIMUM 6" NOMINAL DIAMETER CPVC PLASTIC PIPE (SDR 13.5) (CLOSED PIPING SYSTEM ONLY).
 - C. MAXIMUM 6" NOMINAL DIAMETER RIGID NONMETALLIC CONDUIT (RNC) (FORMED OF SCHEDULE 40 PVC).
3. MINIMUM 1/2" DIAMETER BEAD OF HILTI FS-ONE MAX INTUMESCENT FIRESTOP SEALANT, HILTI CP 619T FIRESTOP PUTTY ROLL, OR HILTI CP 617 FIRESTOP PUTTY STICK POSITIONED BETWEEN COMPOSITE SHEET AND FLOOR OR BOTH SIDES OF WALL AROUND THE PERIMETER OF THE OPENING.
4. HILTI CFS-COS FIRESTOP COMPOSITE SHEET CUT TO OVERLAP FLOOR OR WALL A MINIMUM OF 2". COMPOSITE SHEET INSTALLED WITH THE ALUMINUM FOIL FACING AGAINST THE FLOOR OR WALL AND SECURED WITH MINIMUM 3/16" DIAMETER BY 1-1/4" LONG STEEL ANCHOR SCREWS WITH 1-1/4" DIAMETER STEEL FENDER WASHERS AT MAXIMUM 2" FROM ENDS AND MAXIMUM 6" C/C. COMPOSITE SHEET CUT TO TIGHTLY FOLLOW THE CONTOUR OF THE PENETRANTS. AS AN ALTERNATIVE TO CONCRETE ANCHORS, WHEN COMPOSITE SHEET OVERLAPS A MINIMUM OF 3" ONTO FLOOR OR BOTH SIDES OF WALL SURFACES, 1-1/16" (27mm) LONG HILTI X-GN 27 MX NAILS IN CONJUNCTION WITH MIN 1-1/4" (32mm) DIAMETER STEEL FENDER WASHERS MAY BE USED.
5. MINIMUM 2" WIDE STAINLESS STEEL STRIP (MIN. 24 GA.) CENTERED OVER ENTIRE LENGTH OF BUTT SEAM IN THE COMPOSITE SHEET. COVER STRIP SECURED TO COMPOSITE SHEET WITH NO. 8 STEEL SHEET METAL SCREWS WITH 3/4" WASHERS SPACED 6" C/C ON EACH SIDE OF SEAM.
6. HILTI CP 643N ATTACHED TO BOTTOM OF HILTI CFS-COS WITH 3/16" x 1-1/4" LONG STEEL CONCRETE SCREW ANCHORS WITH 1-1/4" WASHERS TO CONCRETE FLOOR OR BOTH SIDES OF WALL, AND NO. 10 SELF-DRILLING SCREWS WITH 3/4" WASHERS TO HILTI CFS-COS THROUGH EACH TAB OF COLLAR. FIRESTOP COLLAR SIZED TO MATCH NOMINAL PIPE DIAMETER (SEE TABLE BELOW).

NOMINAL PIPE DIAMETER	PRODUCT DESCRIPTION
1-1/2"	CP 643 50/1.5" N
2"	CP 643 63/2" N
3"	CP 643 90/3" N
4"	CP 643 110/4" N
6"	CP 643 160/6" N

NOTES : 1. MAXIMUM AREA OF OPENING = 900 SQ. IN, WITH A MAXIMUM DIMENSION OF 30".
 2. ANNULAR SPACE BETWEEN PENETRANTS AND PERIPHERY OF OPENING = MINIMUM 0" OR GREATER.
 3. ANNULAR SPACE BETWEEN PENETRANTS = MINIMUM 2" OR AS REQUIRED TO ACCOMMODATE A MINIMUM 1/2" SPACING BETWEEN FIRESTOP COLLARS.



HILTI, Inc.
 Plano, Texas USA (800) 879-8000

Sheet	2 of 2
Scale	-
Date	Sep. 13, 2022

Drawing No.

**CAJ
2885b**