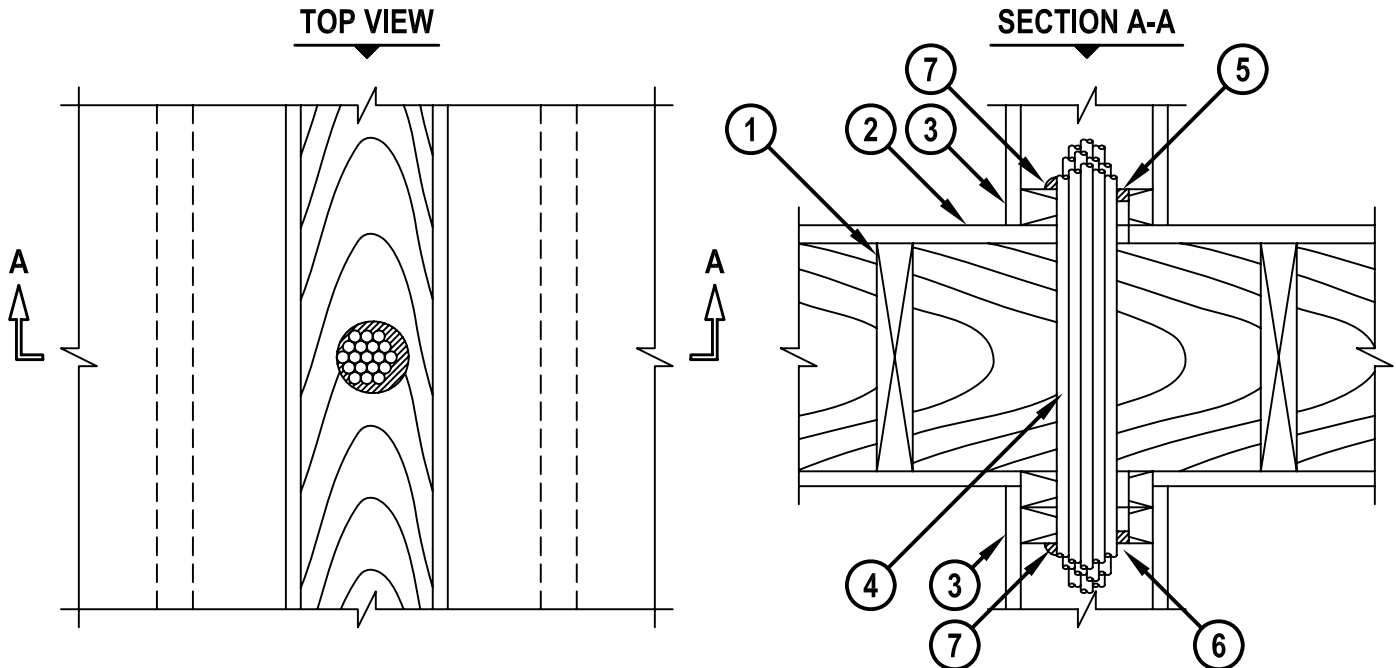


**CABLE BUNDLE THROUGH WOOD FLOOR/CEILING ASSEMBLY**

F-RATING = 1-HR.  
T-RATING = 1-HR.

FC3071d.092707



1. WOOD FLOOR/CEILING ASSEMBLY (UL/cUL CLASSIFIED L500 SERIES) (1-HR. FIRE-RATING).
2. LUMBER OR PLYWOOD SUBFLOOR WITH FINISH FLOOR OF LUMBER, PLYWOOD OR FLOOR TOPPING MIXTURE.
3. [OPTIONAL] GYPSUM WALL ASSEMBLY (UL/cUL CLASSIFIED U300 SERIES) (1-HR. FIRE-RATING) CONSISTING OF NOMINAL 2" x 6" LUMBER PLATES AND STUDS..
4. MAXIMUM 2" DIAMETER CABLE BUNDLE TO CONSIST OF ANY COMBINATION OF THE FOLLOWING:
  - A. MAXIMUM 25 PAIR NO. 24 AWG TELEPHONE WITH PVC JACKET.
  - B. MAXIMUM 3/C (+GROUND) 2/0 ALUMINUM SER CABLE WITH PVC JACKET.
  - C. MAXIMUM 3/C NO. 8 AWG STEEL CLAD CABLE.
  - D. MAXIMUM 3/C (+GROUND) NO. 10 AWG (ROMEX) CABLE WITH PVC JACKET.
  - E. TYPE RG 59/4 COAXIAL CABLE WITH PVC JACKET.
  - F. MAXIMUM 1" DIAMETER METAL CLAD TEK CABLE WITH PVC JACKET.
5. MINIMUM 1/2" DEPTH HILTI CP 606 FLEXIBLE FIRESTOP SEALANT INSTALLED FLUSH WITH TOP SURFACE OF SOLE PLATE OR SUBFLOOR.
6. MINIMUM 5/8" DEPTH HILTI CP 606 FLEXIBLE FIRESTOP SEALANT INSTALLED FLUSH WITH BOTTOM SURFACE OF CEILING OR LOWER TOP PLATE.
7. MINIMUM 1/2" BEAD HILTI CP 606 FLEXIBLE FIRESTOP SEALANT APPLIED AT POINT OF CONTACT ON BOTTOM SURFACE OF SUBFLOOR OR TOP SURFACE OF SOLE PLATE AND BOTTOM SURFACE OF CEILING OR LOWER TOP PLATE.

NOTES : 1. MAXIMUM DIAMETER OF OPENING = 3".  
2. ANNULAR SPACE = MINIMUM 0", MAXIMUM 1".  
3. CABLES TO FILL A MAXIMUM 45% OF CROSS-SECTIONAL AREA OF OPENING.



HILTI, Inc.  
Tulsa, Oklahoma USA (800) 879-8000

Sheet	1 of 1
Scale	1/8" = 1"
Date	Sep. 27, 2007

Drawing No.  
**FC  
3071d**