

3.4 MI Components, Allowable Load Data and Specifications

MIA-B090/120-M12 Fixed point U-bolts

Material Specifications

U-bolts	8.8 grade; thread length 25mm (1")
Nuts	8 grade DIN 1661, self locking
Galvanizing	Hot-dip galvanized 1.8 mils (45 µm)

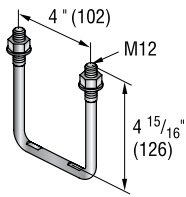
Ordering Information

Description	For Girder Type	Weight Per Set lb (kg)	Qty	Item No.
MIA-B090-M12	MI-90	1.3 (0.6)	8 pairs	304840
MIA-B0120-M12	MI-120	1.4 (0.6)	8 pairs	304841

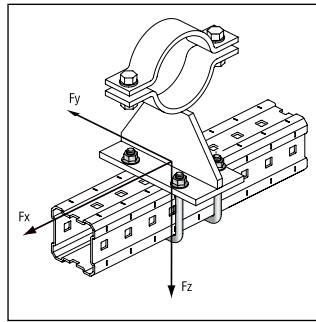
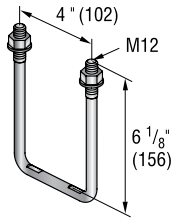


Technical Data

MIA-B090-M12 for MI-90



MIA-B120-M12 for MI-120



Note: pipe ring sold separately.