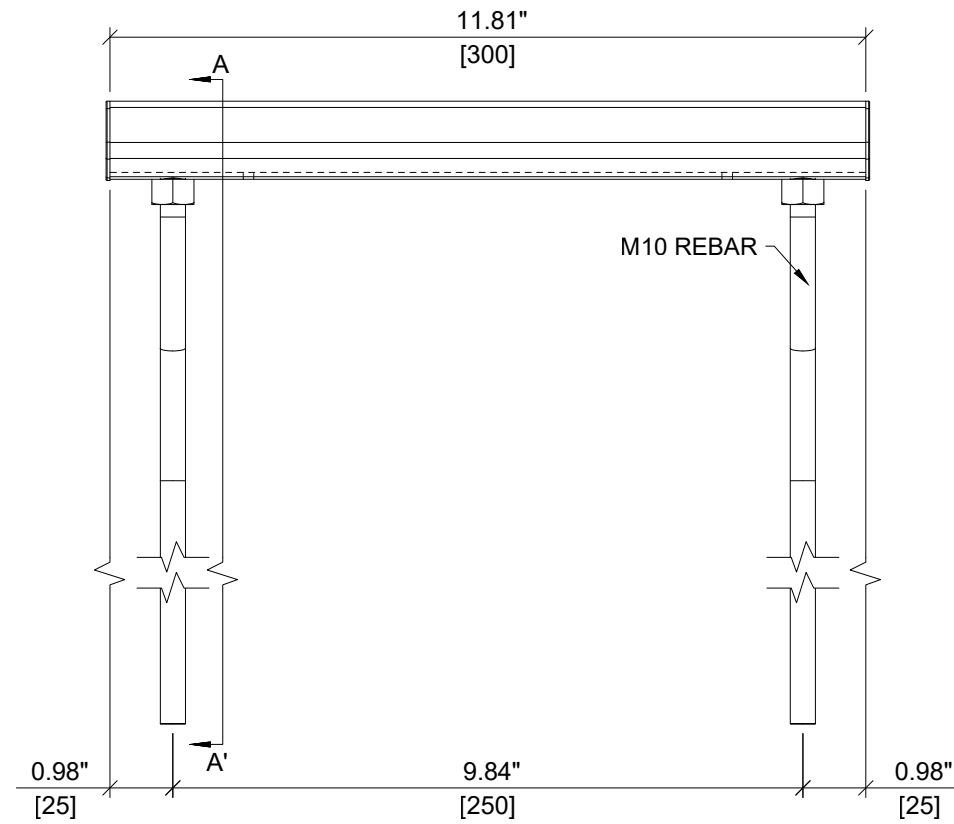
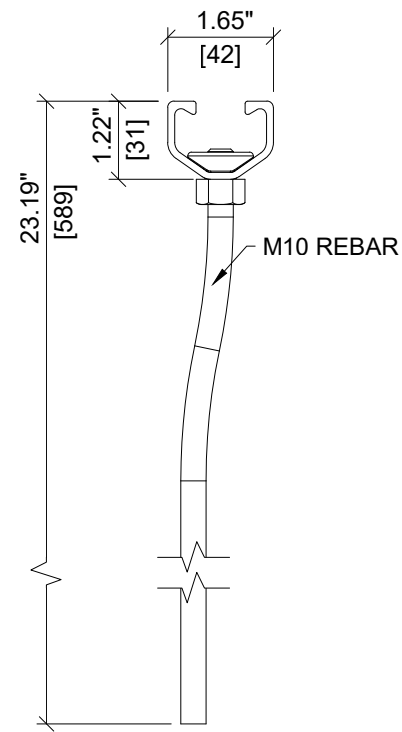


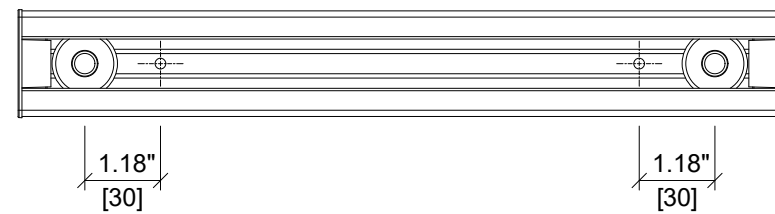
ITEM	DESCRIPTION	QUANTITY
1	CHANNEL PROFILE	1
2	RIVET CONNECTION	2
3	M10 REBAR	2
4	END CAP	2
5	TEAR OUT BAND	1
6	FILLER FOAM	1



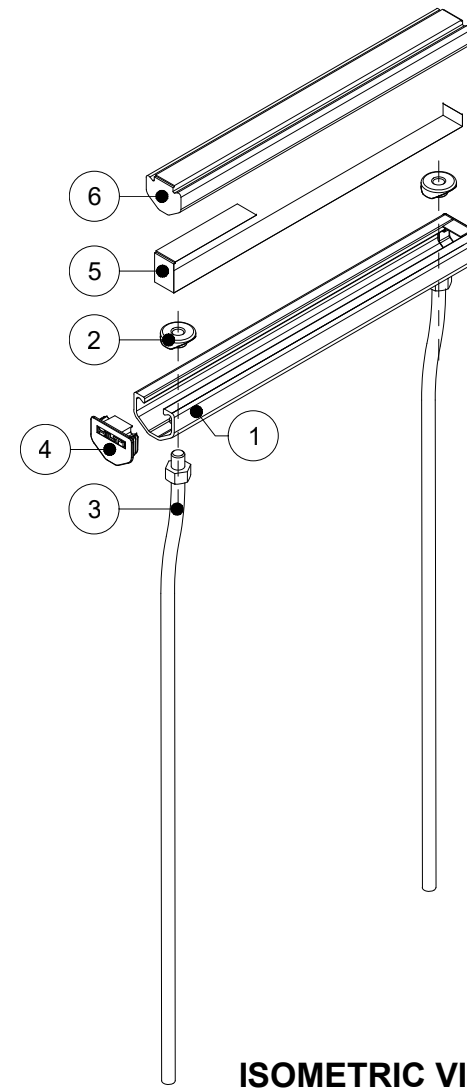
ELEVATION VIEW



SECTION A-A'



PLAN VIEW

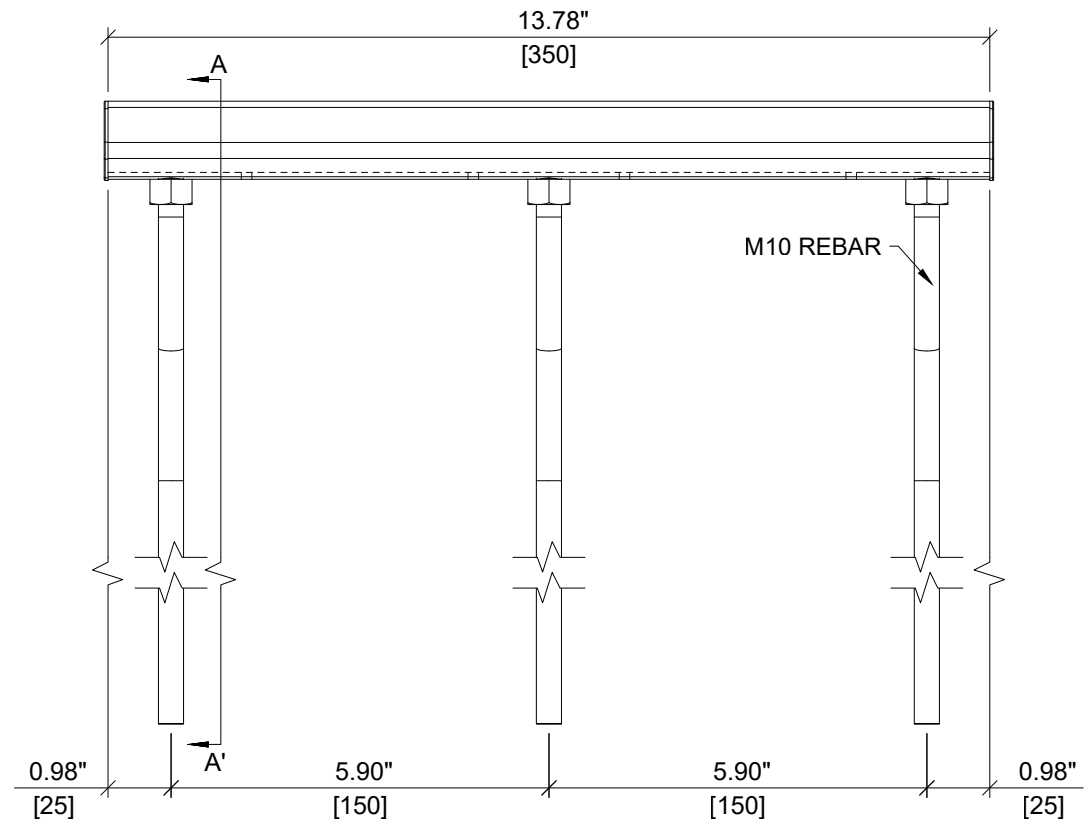


ISOMETRIC VIEW

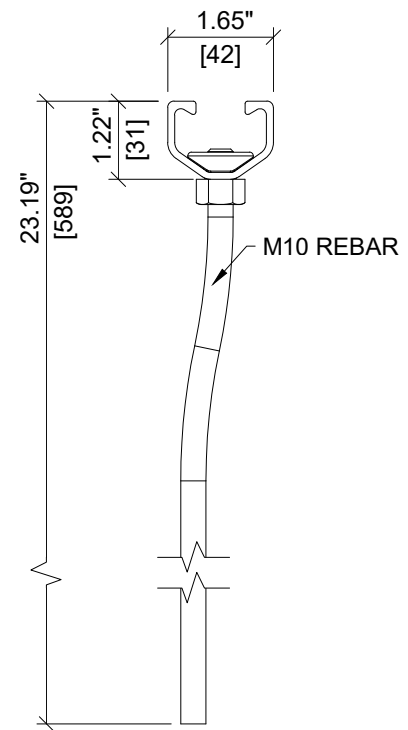


ITEM NUMBER: 2347988	CHANNEL LIP: SMOOTH
ITEM DESCRIPTION: HAC-V 50 589/300 F Rebar XT	

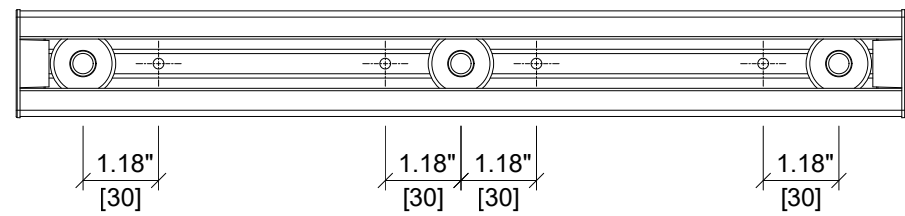
ITEM	DESCRIPTION	QUANTITY
1	CHANNEL PROFILE	1
2	RIVET CONNECTION	3
3	M10 REBAR	3
4	END CAP	2
5	TEAR OUT BAND	1
6	FILLER FOAM	1



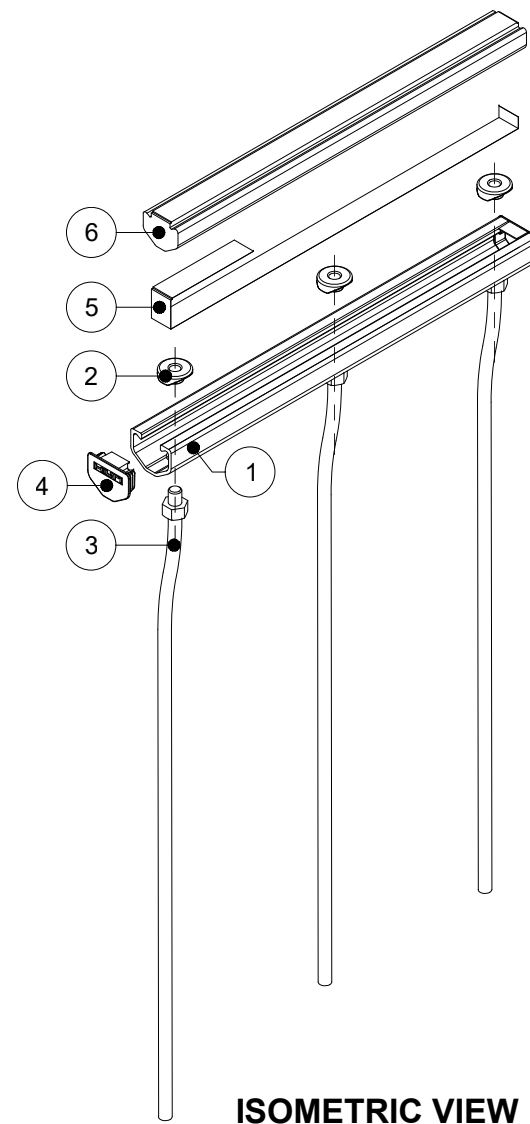
ELEVATION VIEW



SECTION A-A'



PLAN VIEW



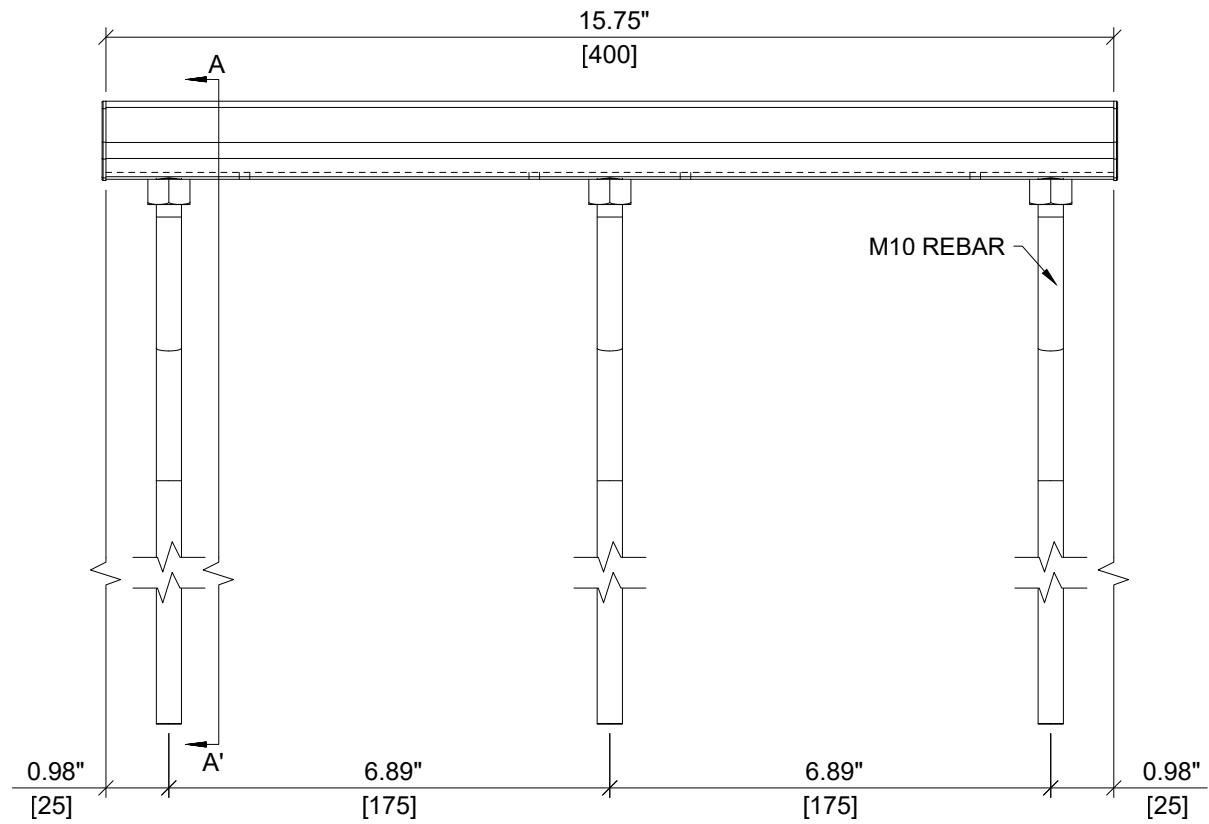
ISOMETRIC VIEW



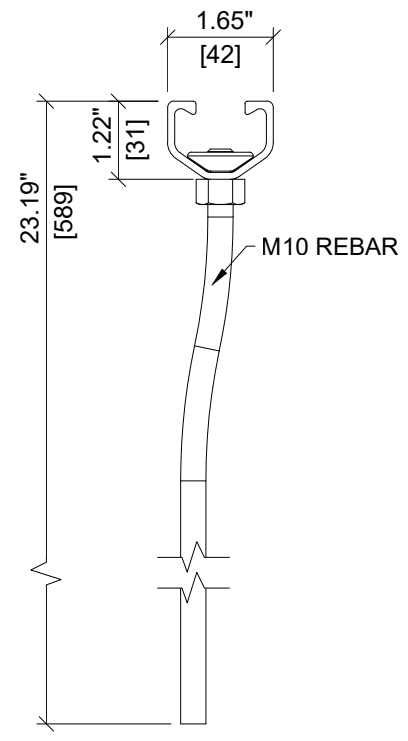
ITEM NUMBER: 2347989	CHANNEL LIP: SMOOTH
ITEM DESCRIPTION: HAC-V 50 589/350 F Rebar XT	



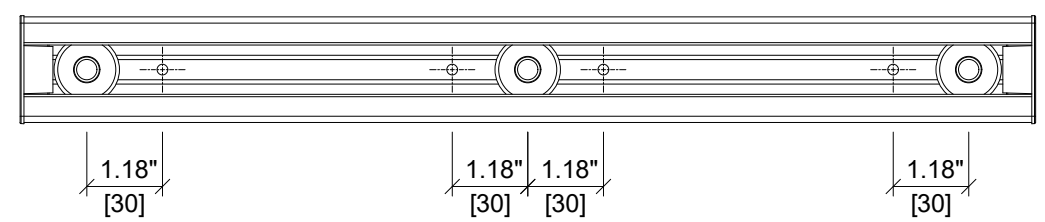
ITEM	DESCRIPTION	QUANTITY
1	CHANNEL PROFILE	1
2	RIVET CONNECTION	3
3	M10 REBAR	3
4	END CAP	2
5	TEAR OUT BAND	1
6	FILLER FOAM	1



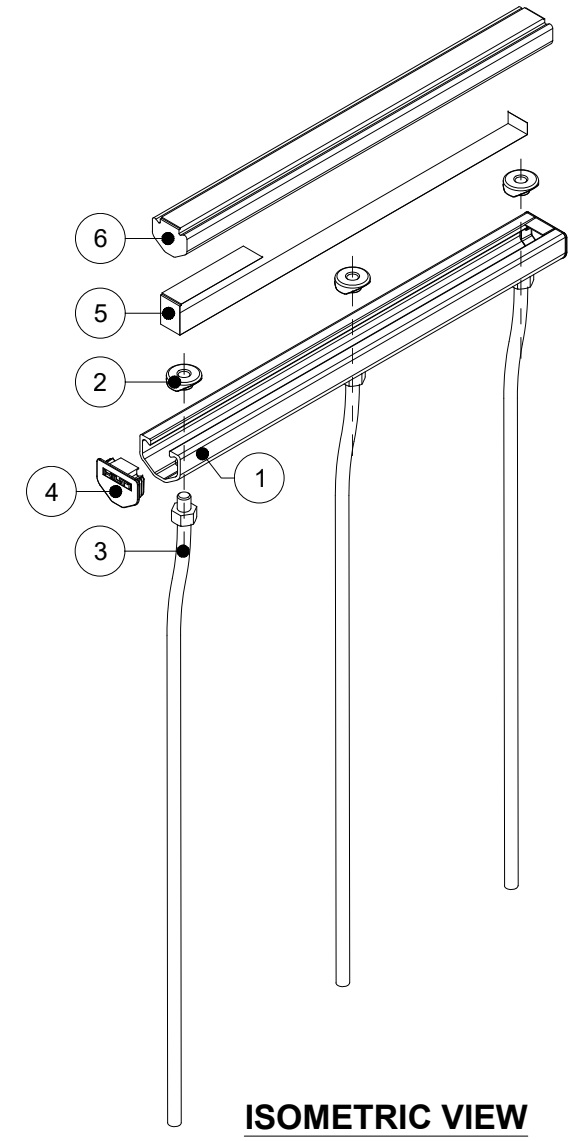
ELEVATION VIEW



SECTION A-A'



PLAN VIEW

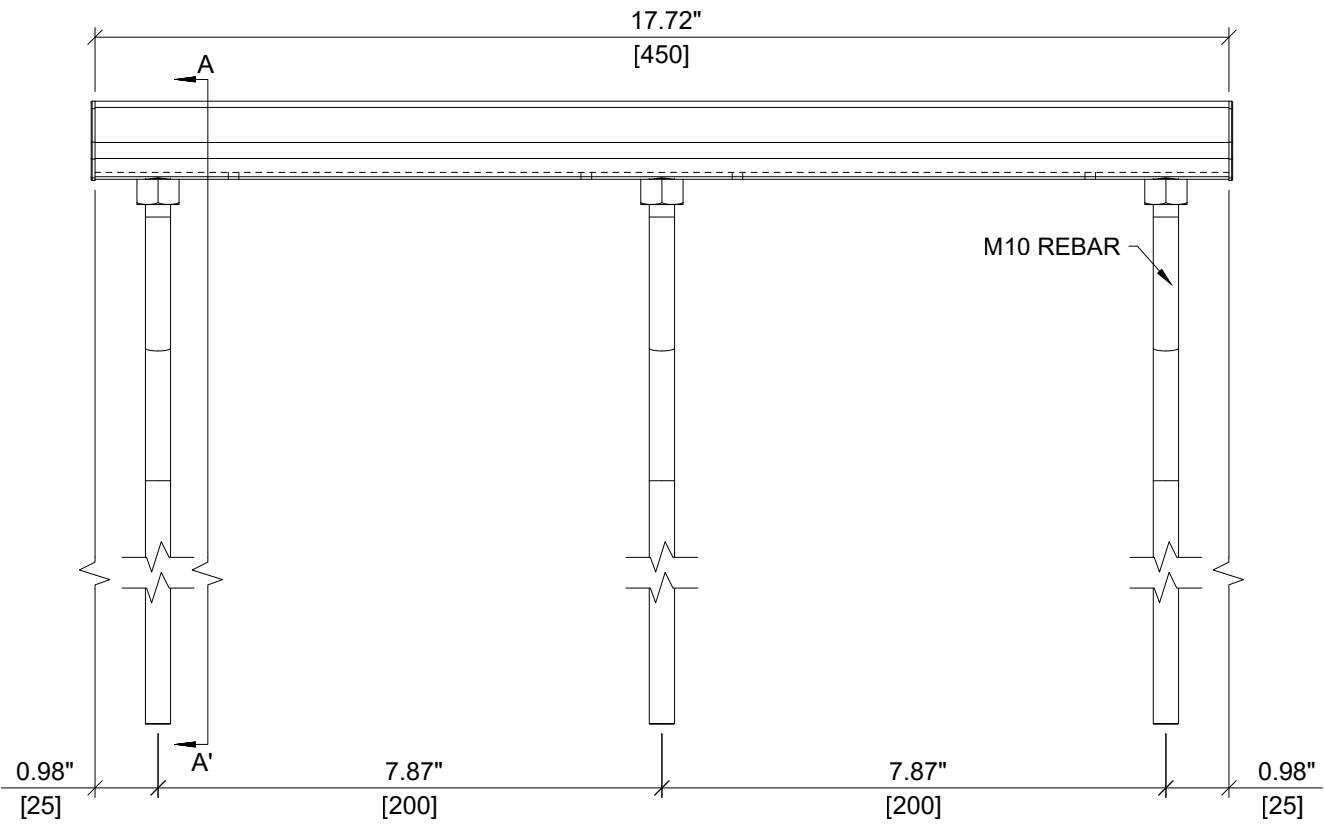


ISOMETRIC VIEW

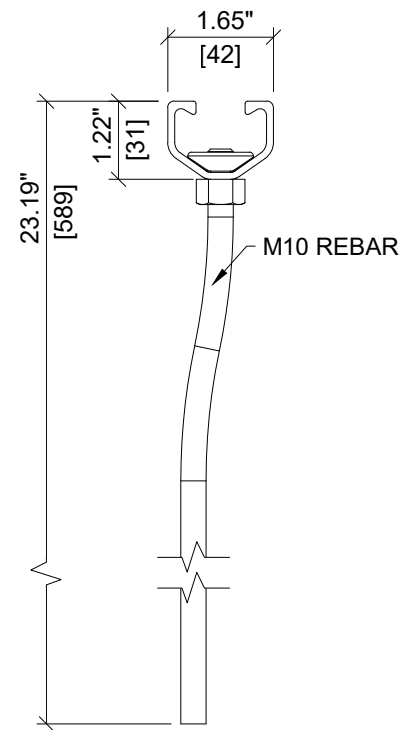


ITEM NUMBER: 2348130	CHANNEL LIP: SMOOTH
ITEM DESCRIPTION: HAC-V 50 589/400 F Rebar XT	

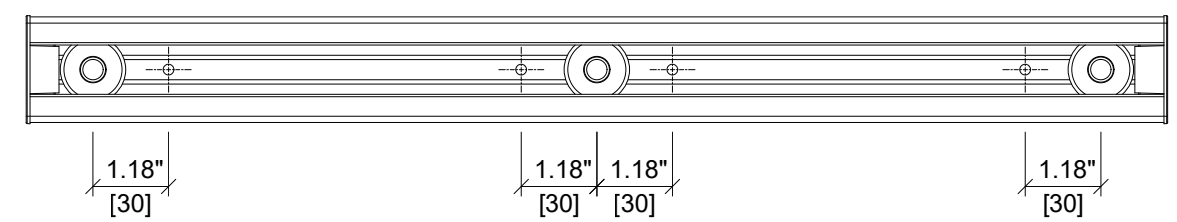
ITEM	DESCRIPTION	QUANTITY
1	CHANNEL PROFILE	1
2	RIVET CONNECTION	3
3	M10 REBAR	3
4	END CAP	2
5	TEAR OUT BAND	1
6	FILLER FOAM	1



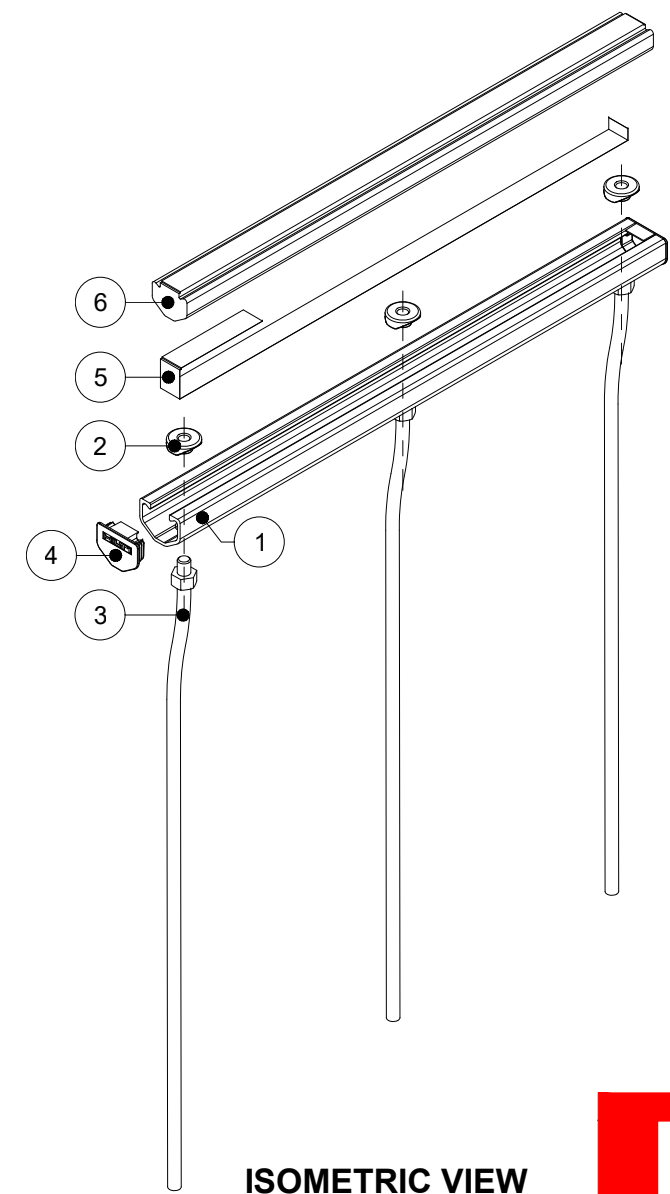
ELEVATION VIEW



SECTION A-A'



PLAN VIEW

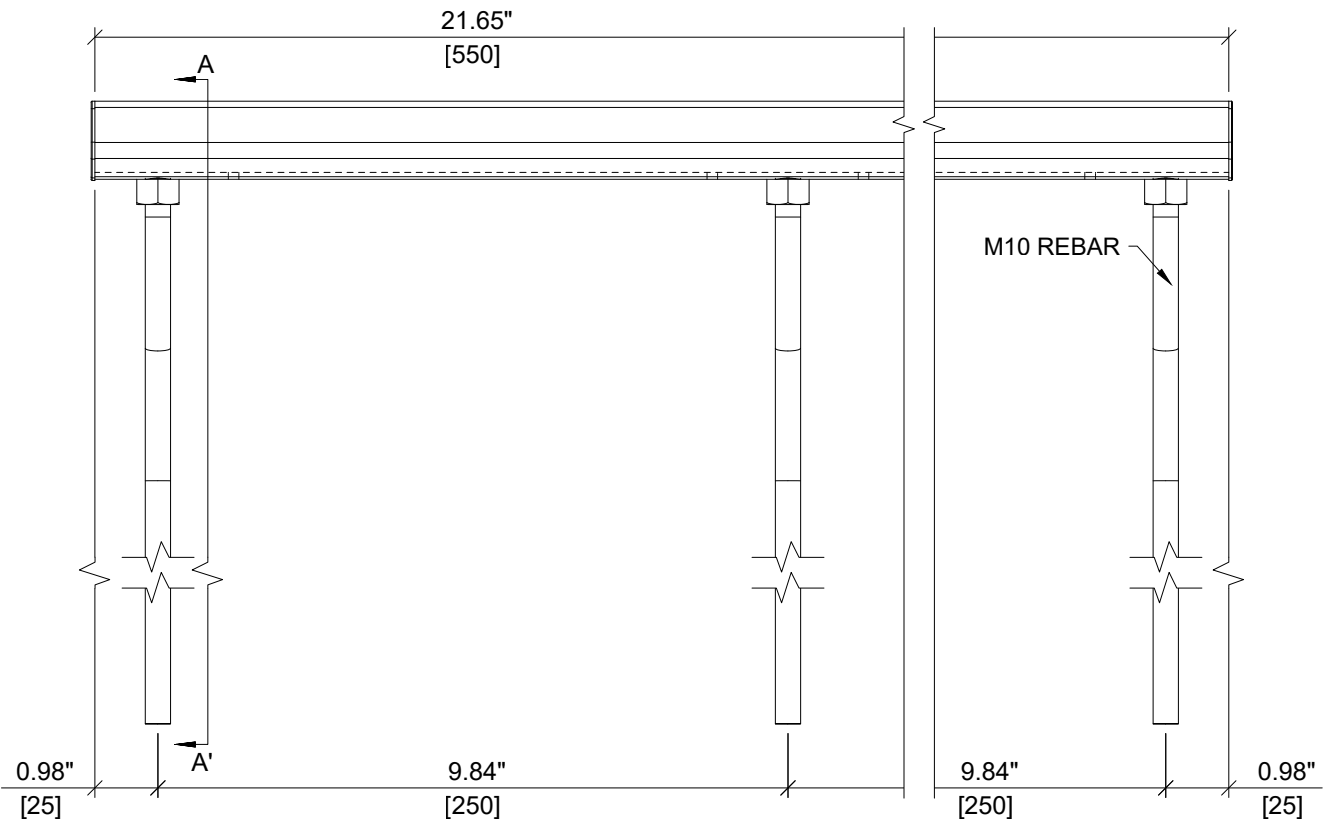


ISOMETRIC VIEW

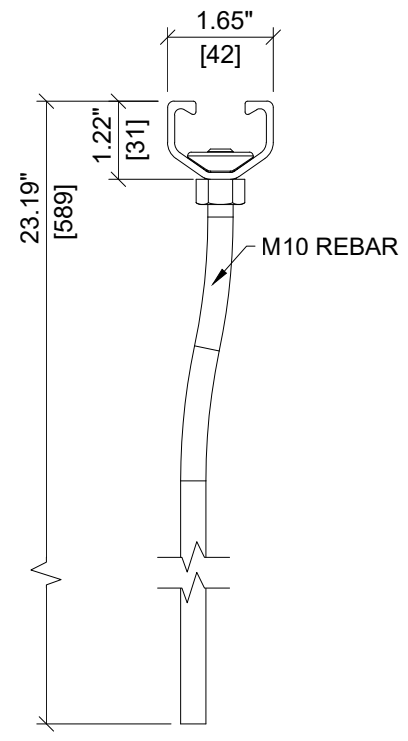


ITEM NUMBER: 2348131	CHANNEL LIP: SMOOTH
ITEM DESCRIPTION: HAC-V 50 589/450 F Rebar XT	

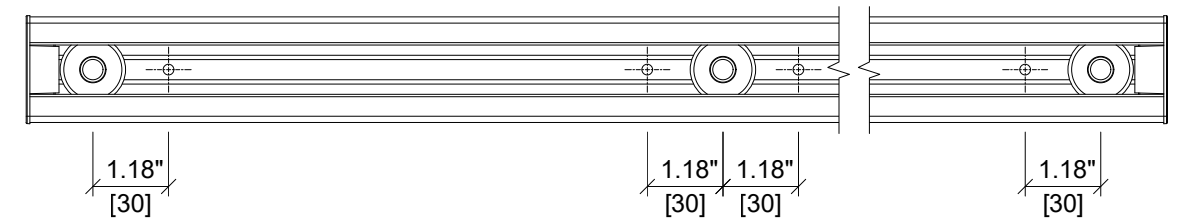
ITEM	DESCRIPTION	QUANTITY
1	CHANNEL PROFILE	1
2	RIVET CONNECTION	3
3	M10 REBAR	3
4	END CAP	2
5	TEAR OUT BAND	1
6	FILLER FOAM	1



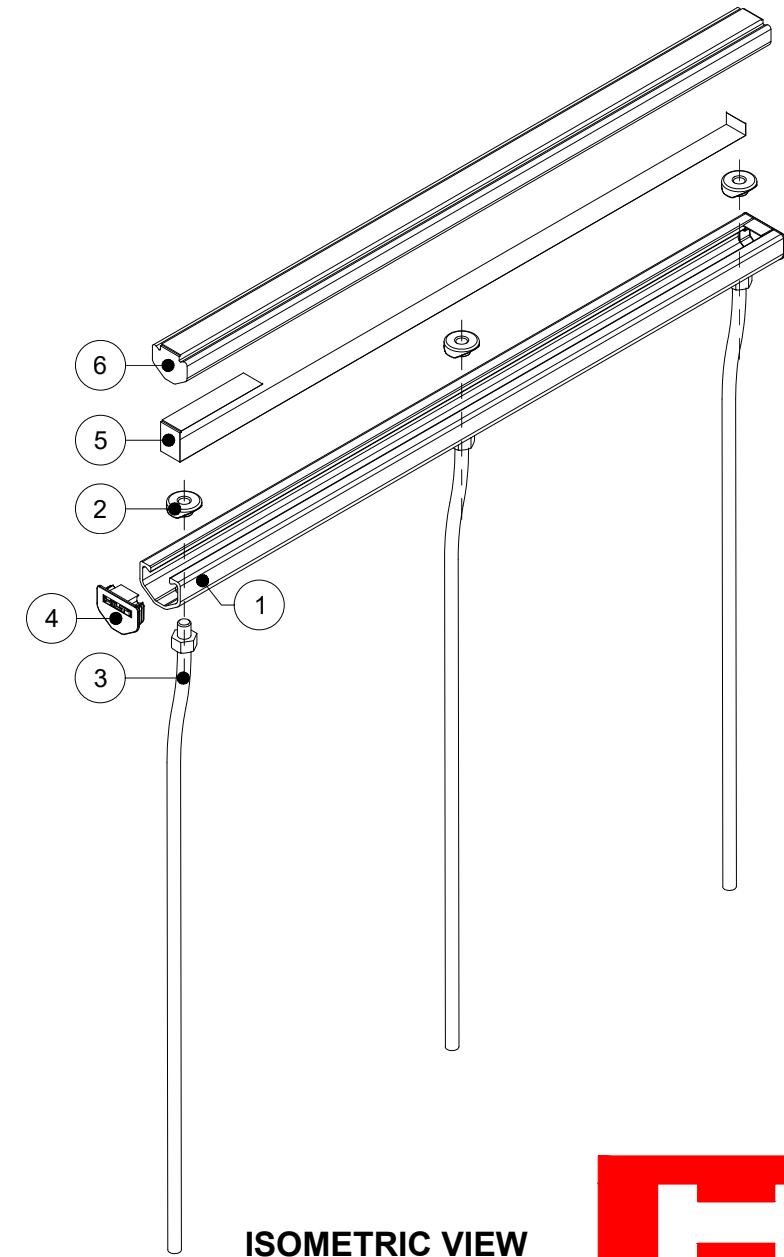
ELEVATION VIEW



SECTION A-A'



PLAN VIEW



ISOMETRIC VIEW

HILTI

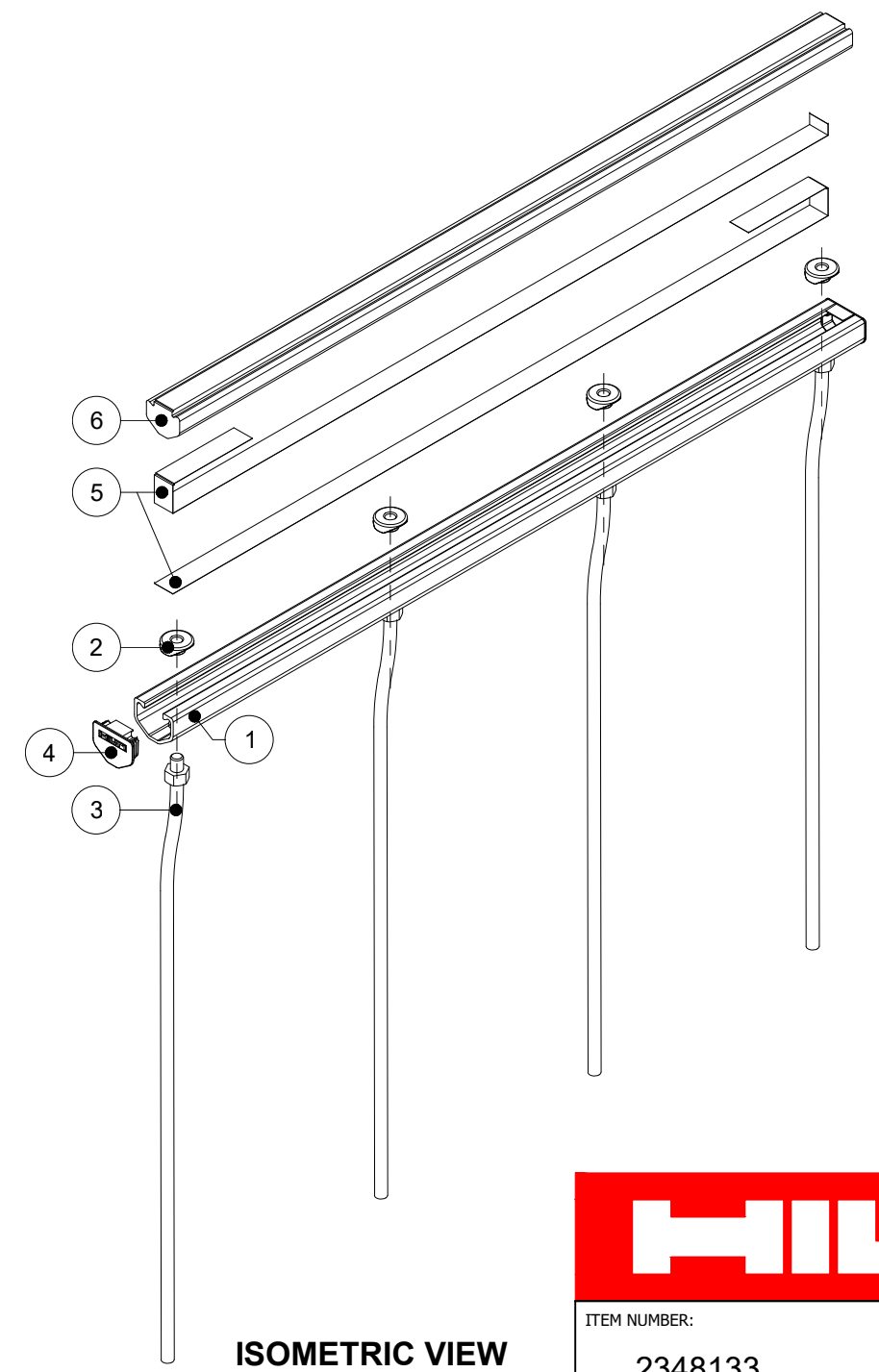
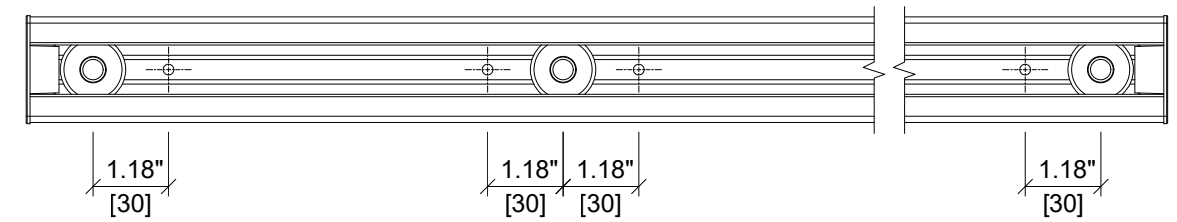
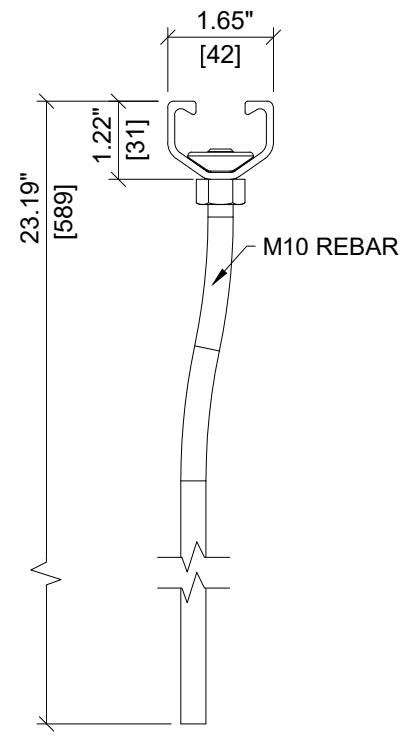
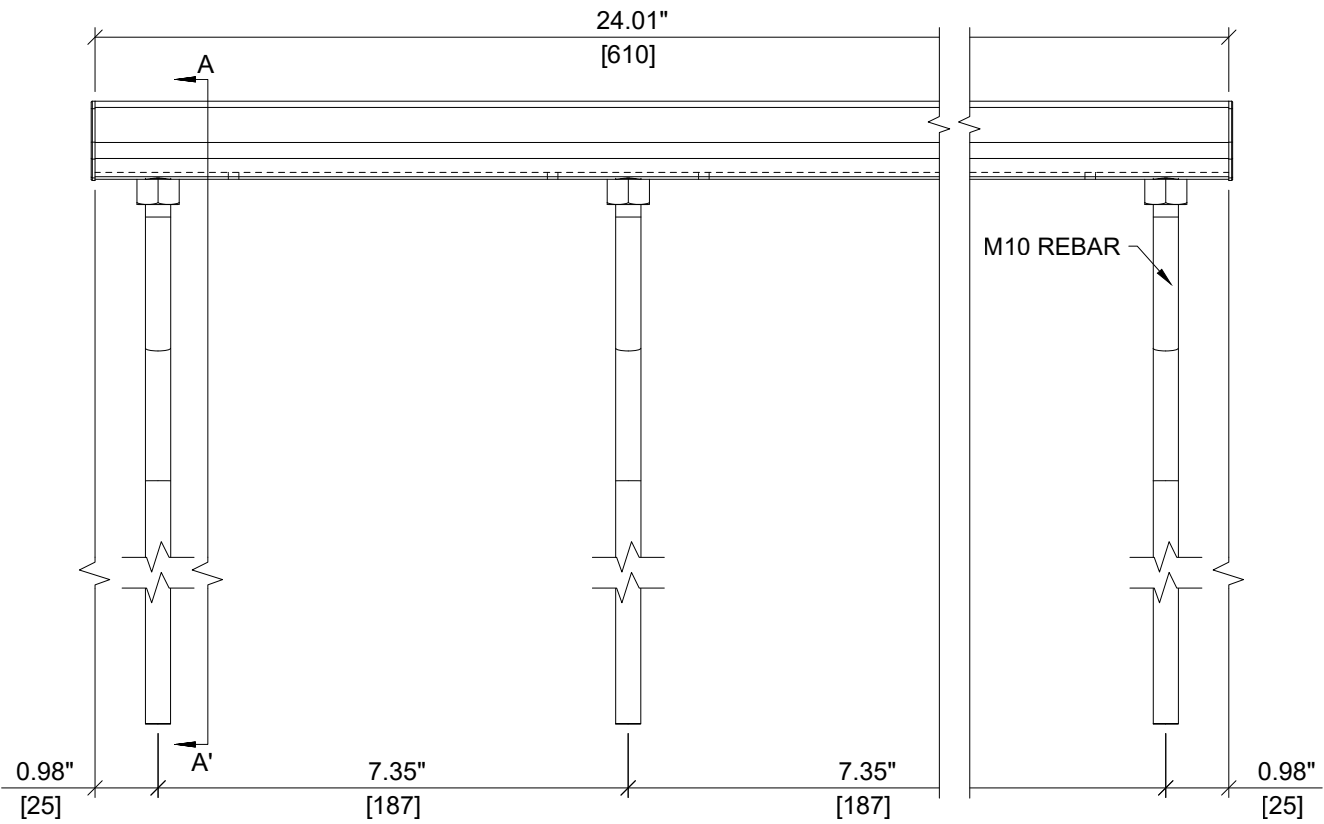
ITEM NUMBER: 2348132

CHANNEL LIP: SMOOTH

ITEM DESCRIPTION: HAC-V 50 589/550 F Rebar XT

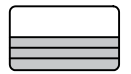


ITEM	DESCRIPTION	QUANTITY
1	CHANNEL PROFILE	1
2	RIVET CONNECTION	4
3	M10 REBAR	4
4	END CAP	2
5	TEAR OUT BAND	2
6	FILLER FOAM	1



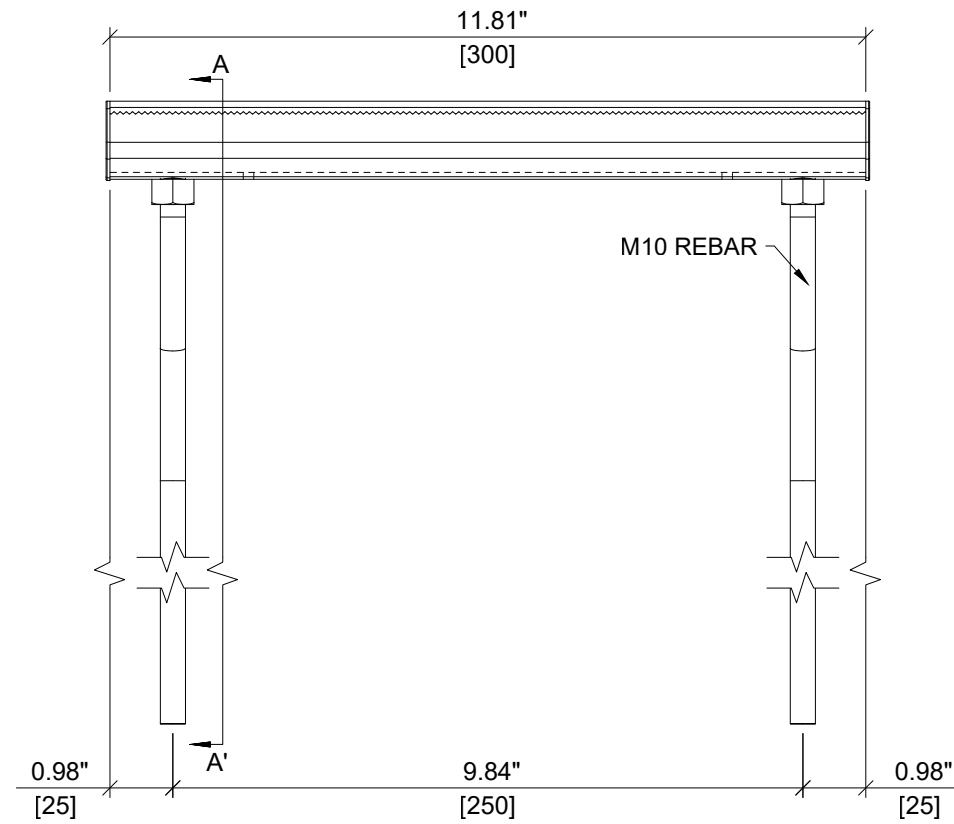
HILTI

ITEM NUMBER: 2348133

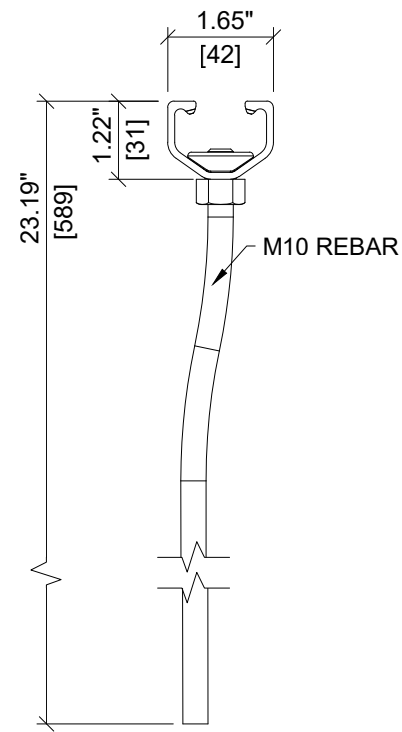
CHANNEL LIP: SMOOTH 

ITEM DESCRIPTION: HAC-V 50 589/610 F Rebar XT

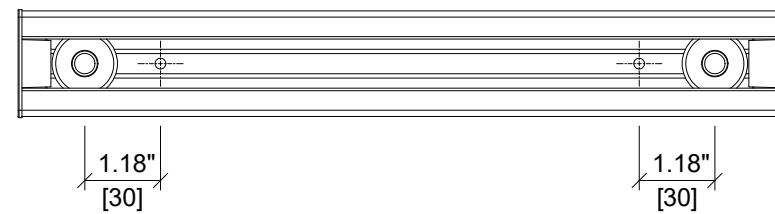
ITEM	DESCRIPTION	QUANTITY
1	CHANNEL PROFILE	1
2	RIVET CONNECTION	2
3	M10 REBAR	2
4	END CAP	2
5	TEAR OUT BAND	1
6	FILLER FOAM	1



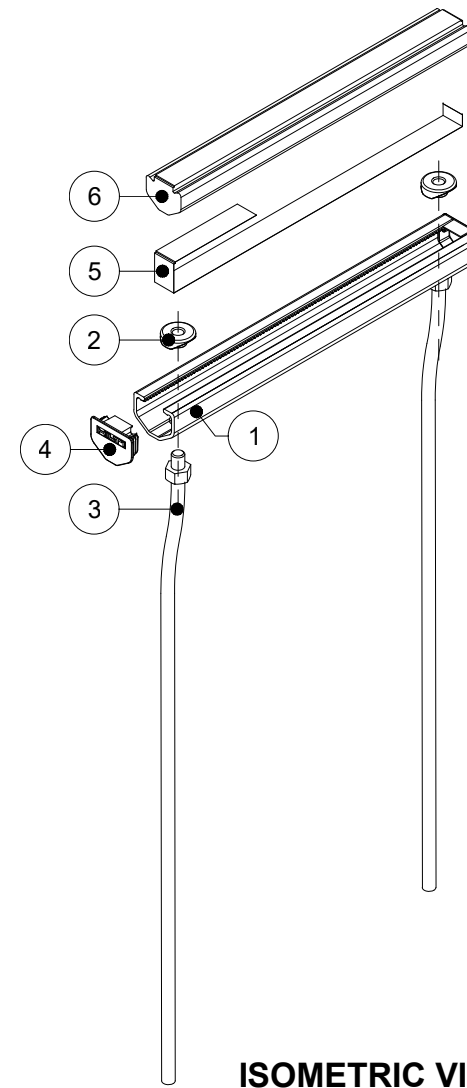
ELEVATION VIEW



SECTION A-A'



PLAN VIEW



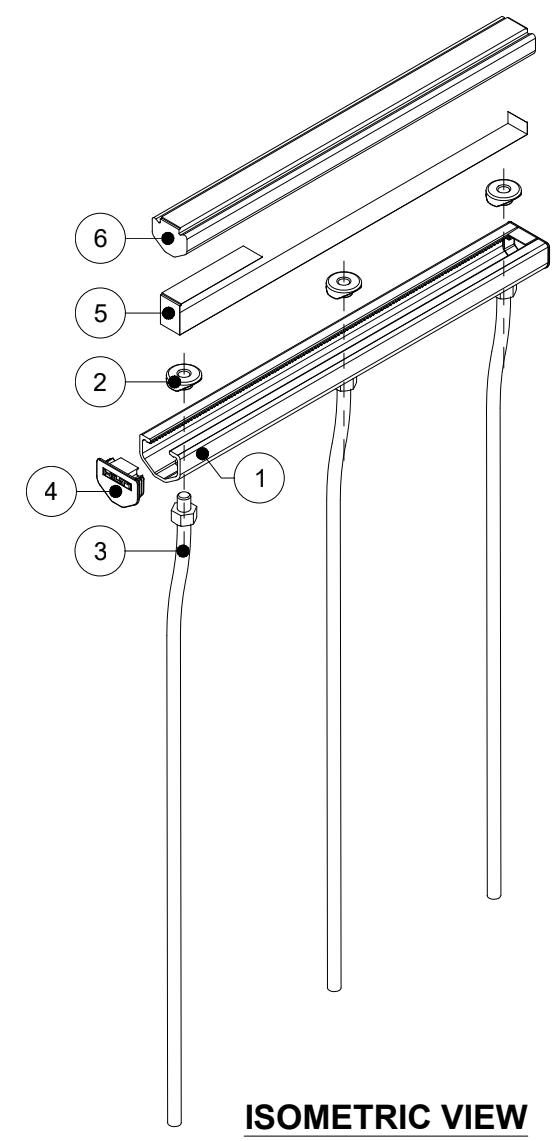
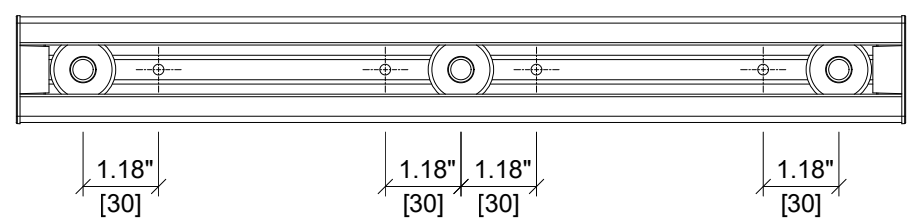
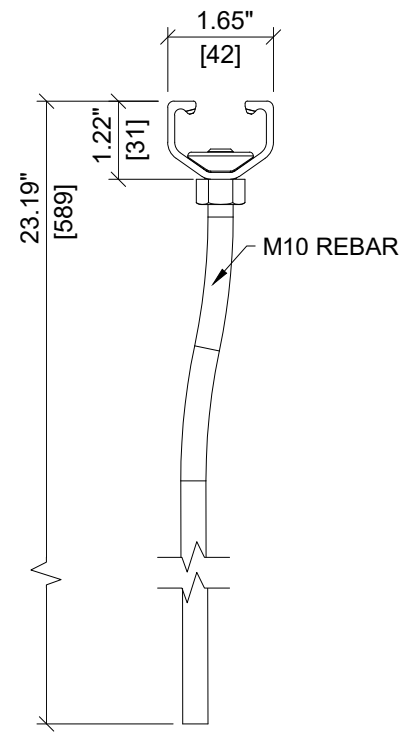
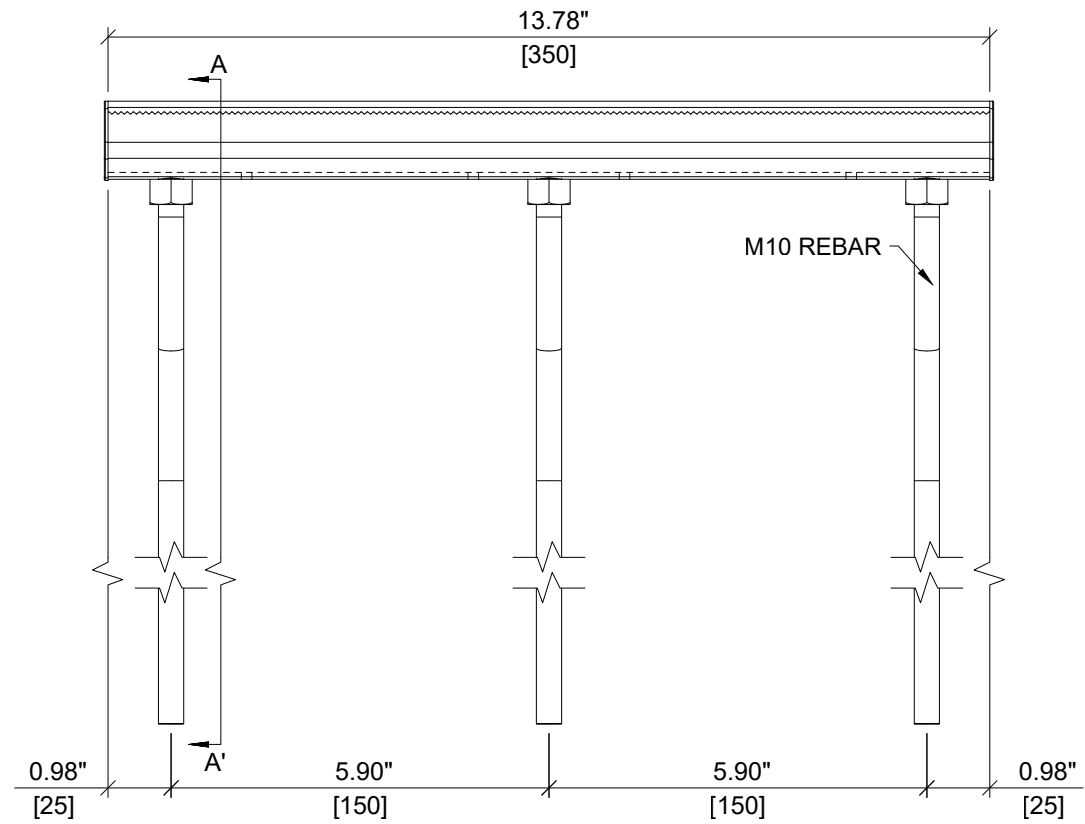
ISOMETRIC VIEW



HILTI

ITEM NUMBER: <div style="font-size: 18px; font-weight: bold; text-align: center;">2348134</div>	CHANNEL LIP: <div style="font-size: 18px; font-weight: bold; text-align: center;">SERRATED</div>
ITEM DESCRIPTION: <div style="font-weight: bold;">HAC-V-T 50 589/300 F Rebar XT</div>	

ITEM	DESCRIPTION	QUANTITY
1	CHANNEL PROFILE	1
2	RIVET CONNECTION	3
3	M10 REBAR	3
4	END CAP	2
5	TEAR OUT BAND	1
6	FILLER FOAM	1

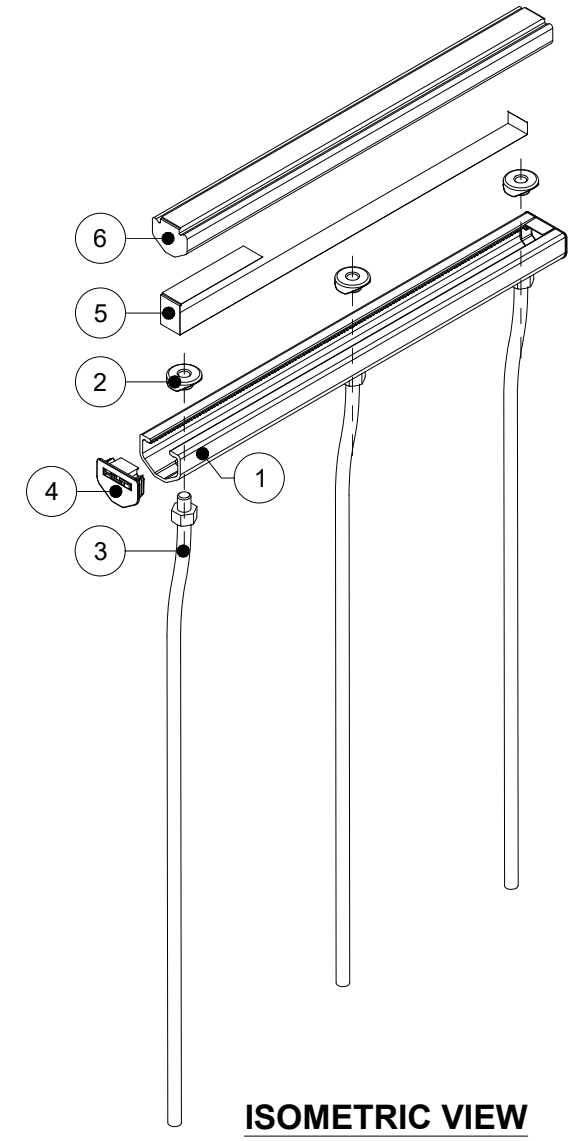
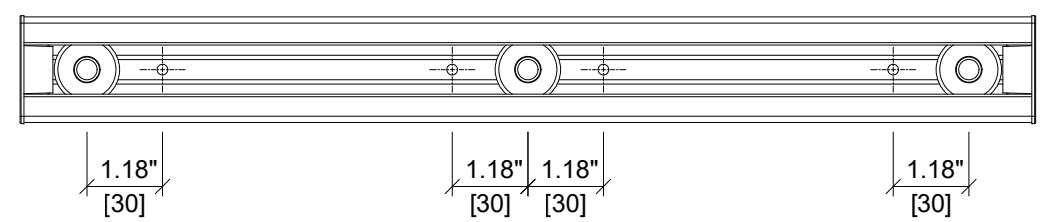
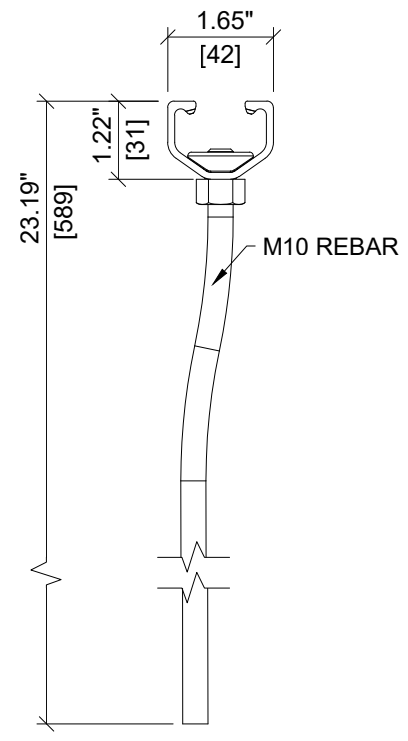
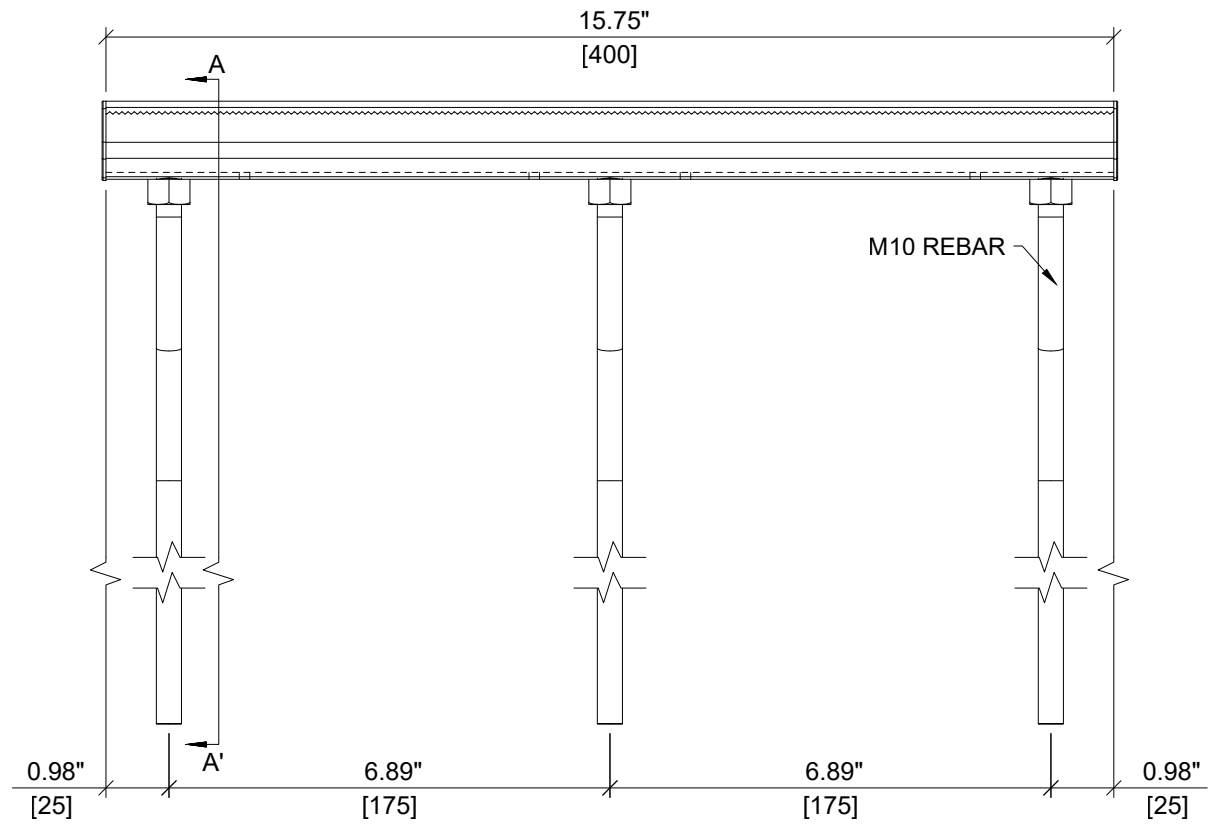


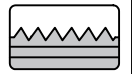
HILTI

ITEM NUMBER: <div style="font-size: 18px; font-weight: bold; text-align: center;">2348135</div>	CHANNEL LIP: <div style="font-size: 18px; font-weight: bold; text-align: center;">SERRATED</div>
ITEM DESCRIPTION: <div style="font-weight: bold;">HAC-V-T 50 589/350 F Rebar XT</div>	



ITEM	DESCRIPTION	QUANTITY
1	CHANNEL PROFILE	1
2	RIVET CONNECTION	2
3	M10 REBAR	2
4	END CAP	2
5	TEAR OUT BAND	1
6	FILLER FOAM	1

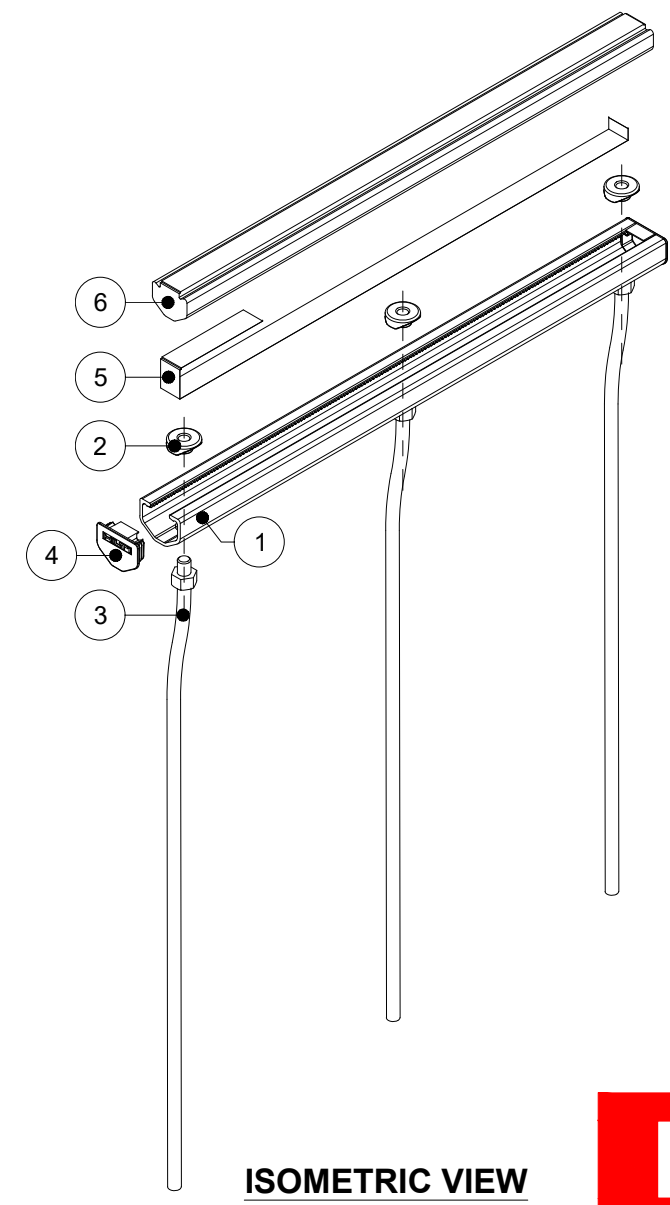
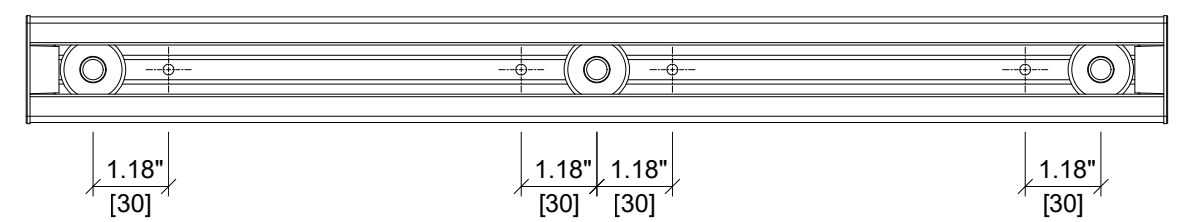
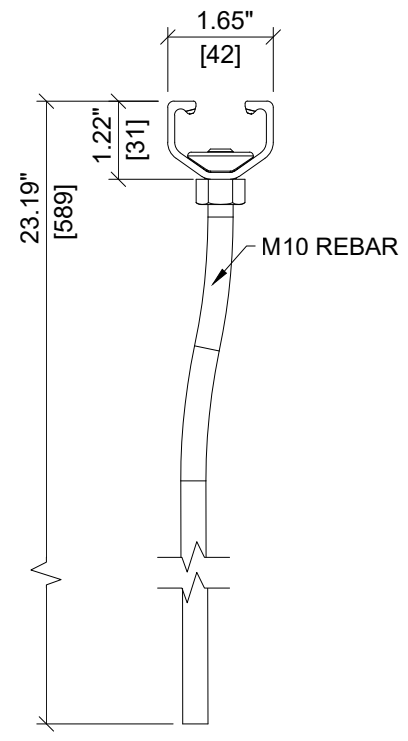
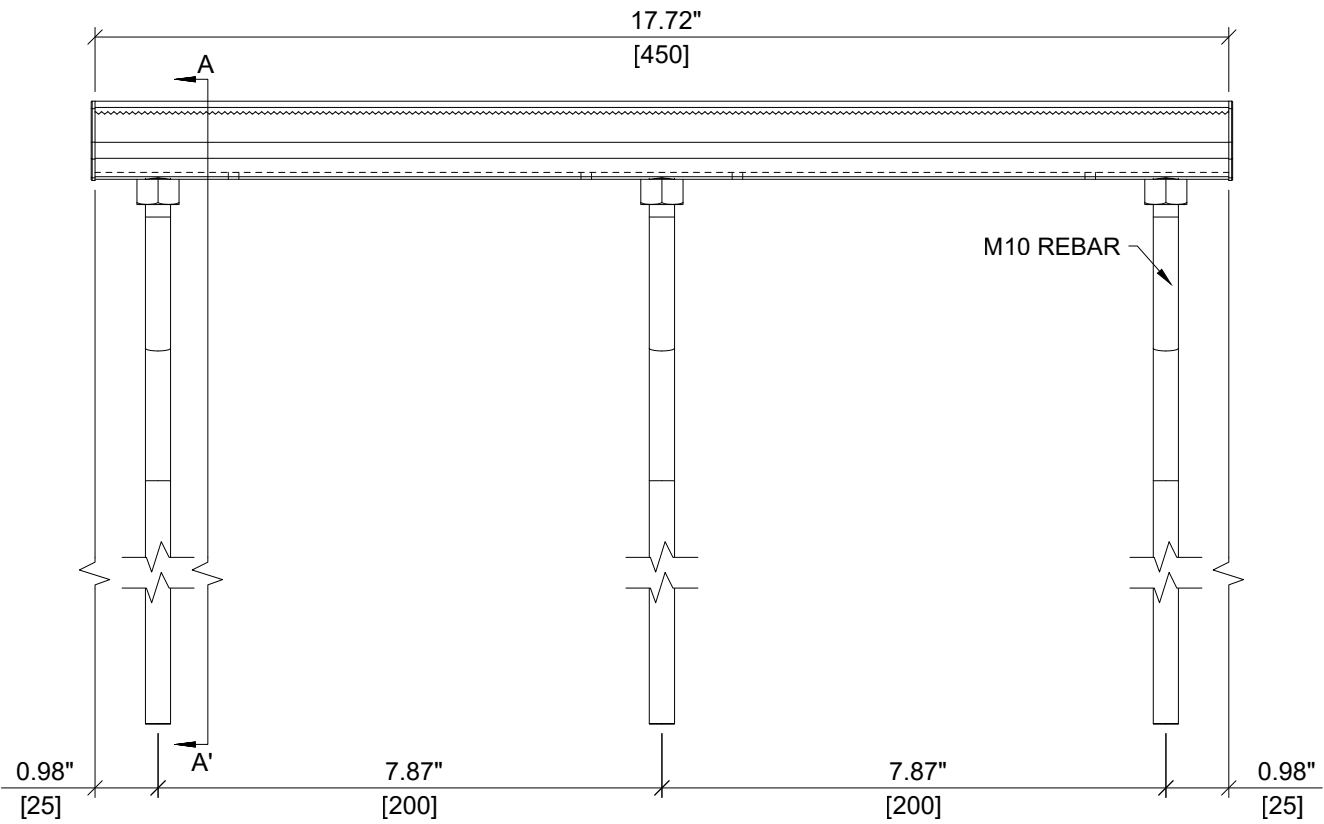


ITEM NUMBER: 2348136	CHANNEL LIP: SERRATED 
--------------------------------	---

ITEM DESCRIPTION:
HAC-V-T 50 589/400 F Rebar XT

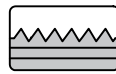


ITEM	DESCRIPTION	QUANTITY
1	CHANNEL PROFILE	1
2	RIVET CONNECTION	3
3	M10 REBAR	3
4	END CAP	2
5	TEAR OUT BAND	1
6	FILLER FOAM	1



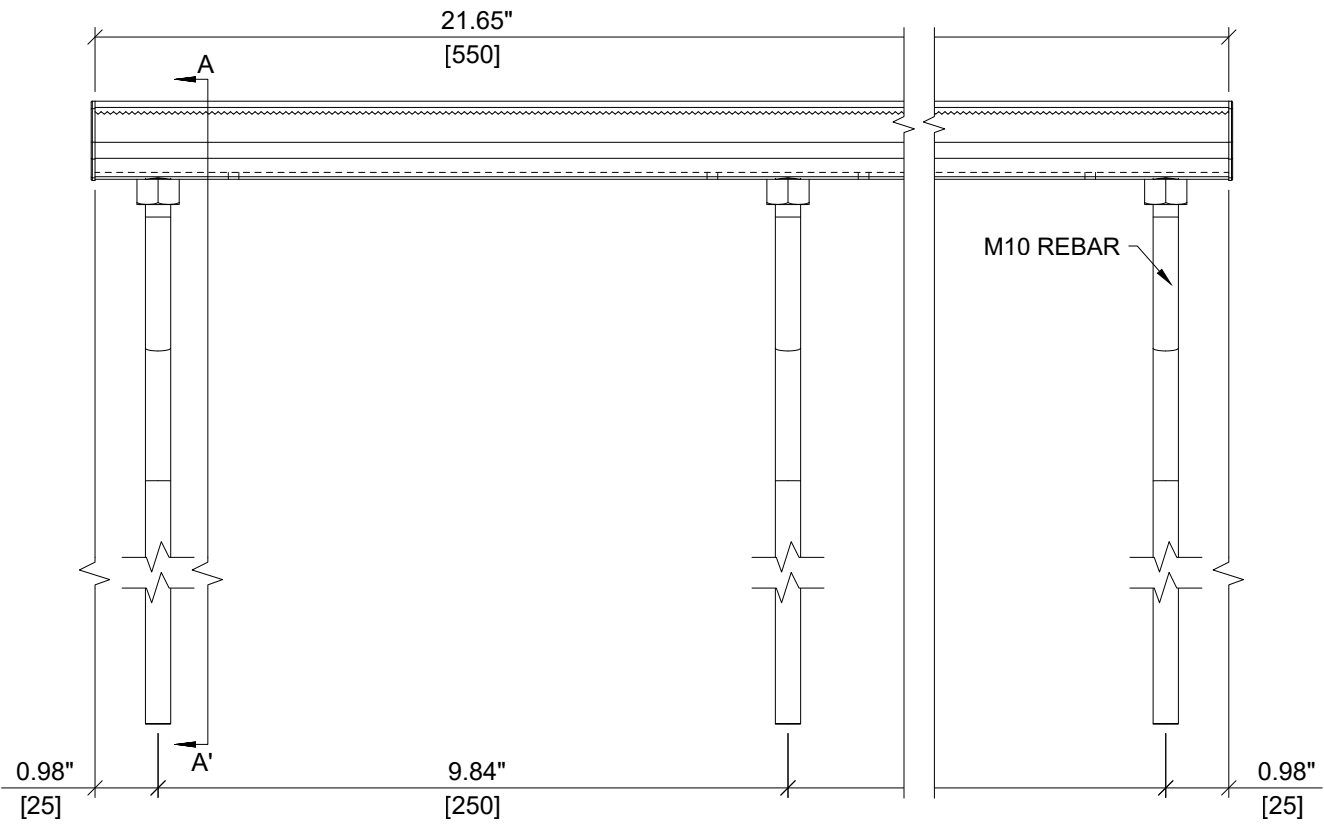
HILTI

ITEM NUMBER: 2348137

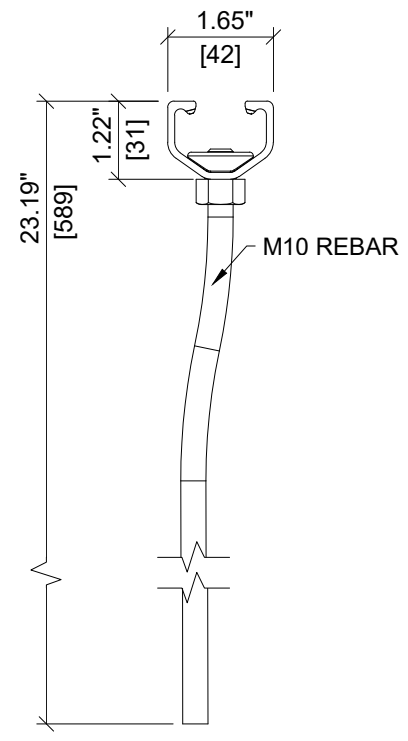
CHANNEL LIP: SERRATED 

ITEM DESCRIPTION: HAC-V-T 50 589/450 F Rebar XT

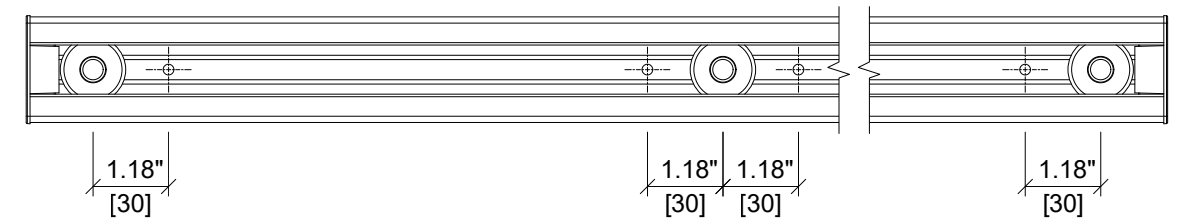
ITEM	DESCRIPTION	QUANTITY
1	CHANNEL PROFILE	1
2	RIVET CONNECTION	3
3	M10 REBAR	3
4	END CAP	2
5	TEAR OUT BAND	1
6	FILLER FOAM	1



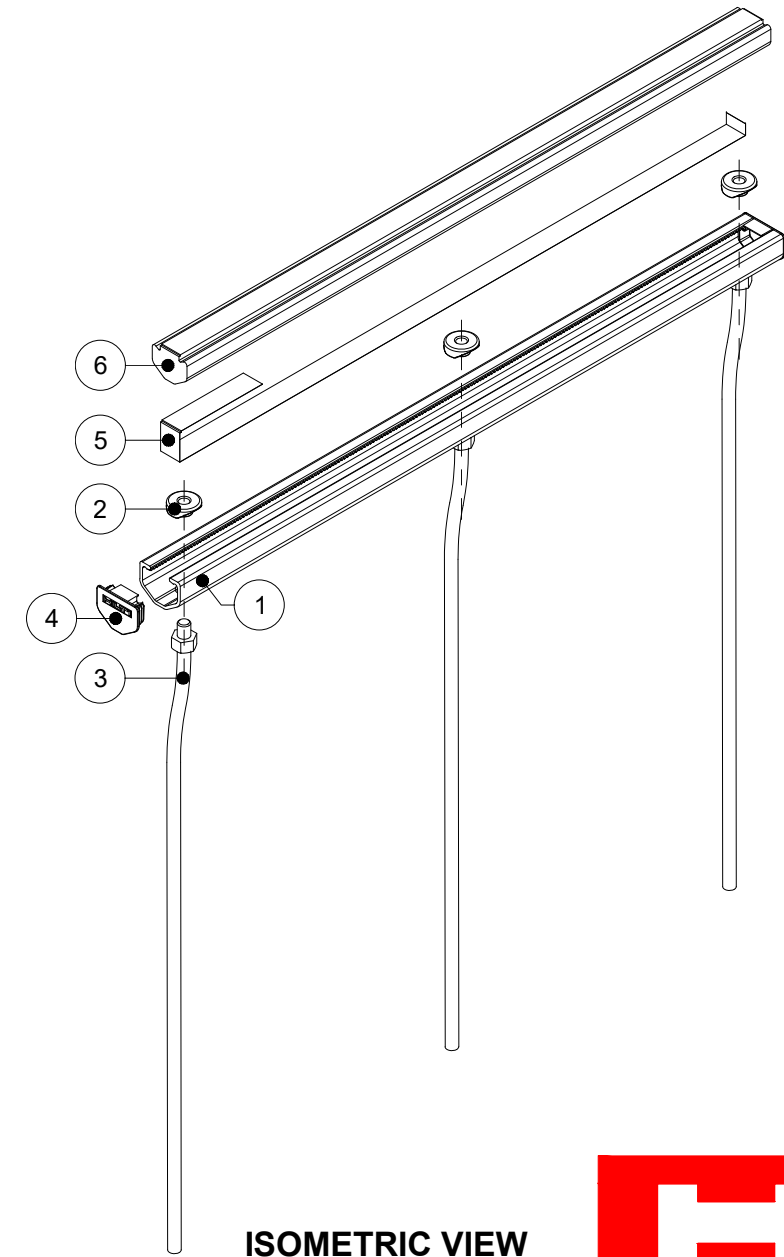
ELEVATION VIEW



SECTION A-A'



PLAN VIEW



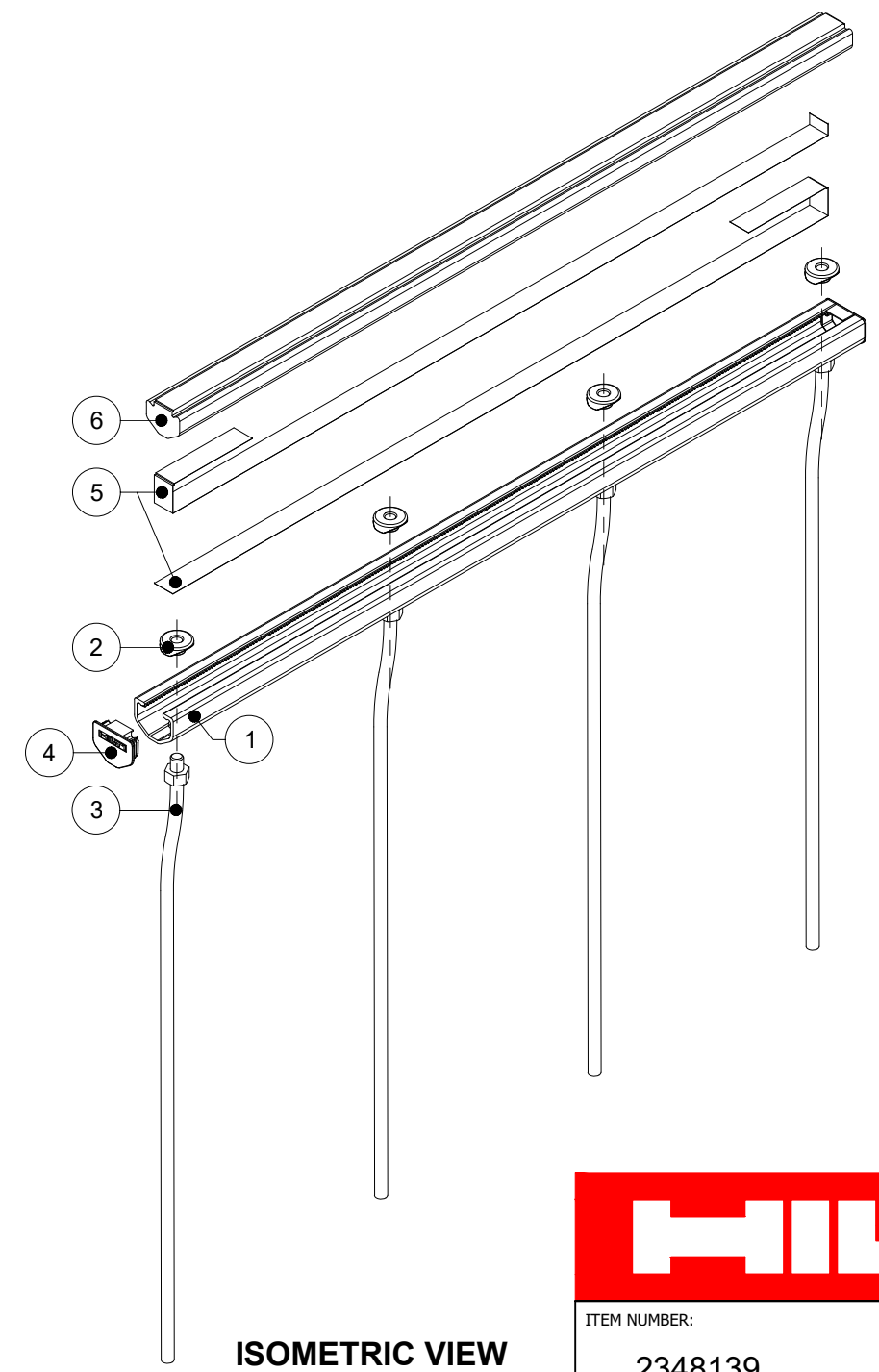
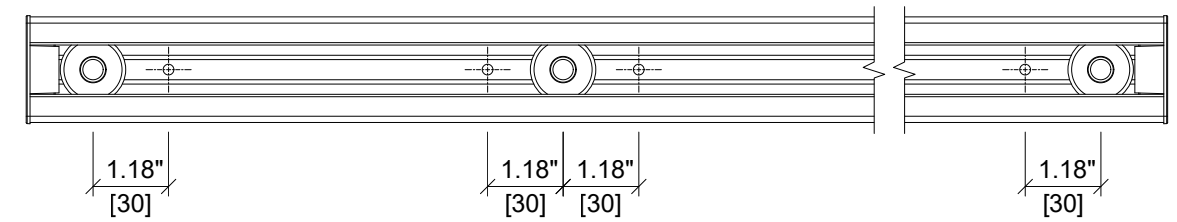
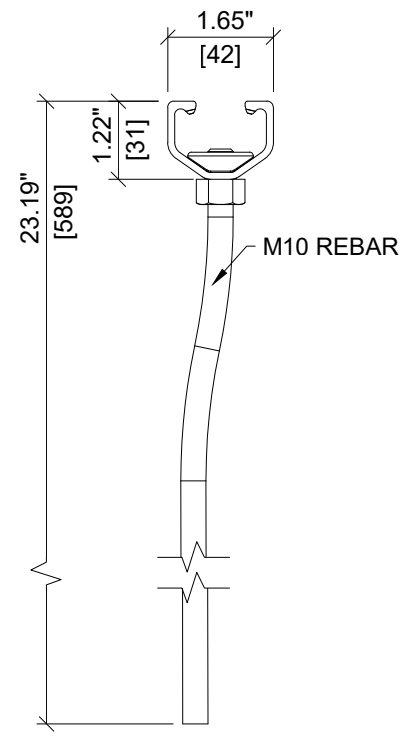
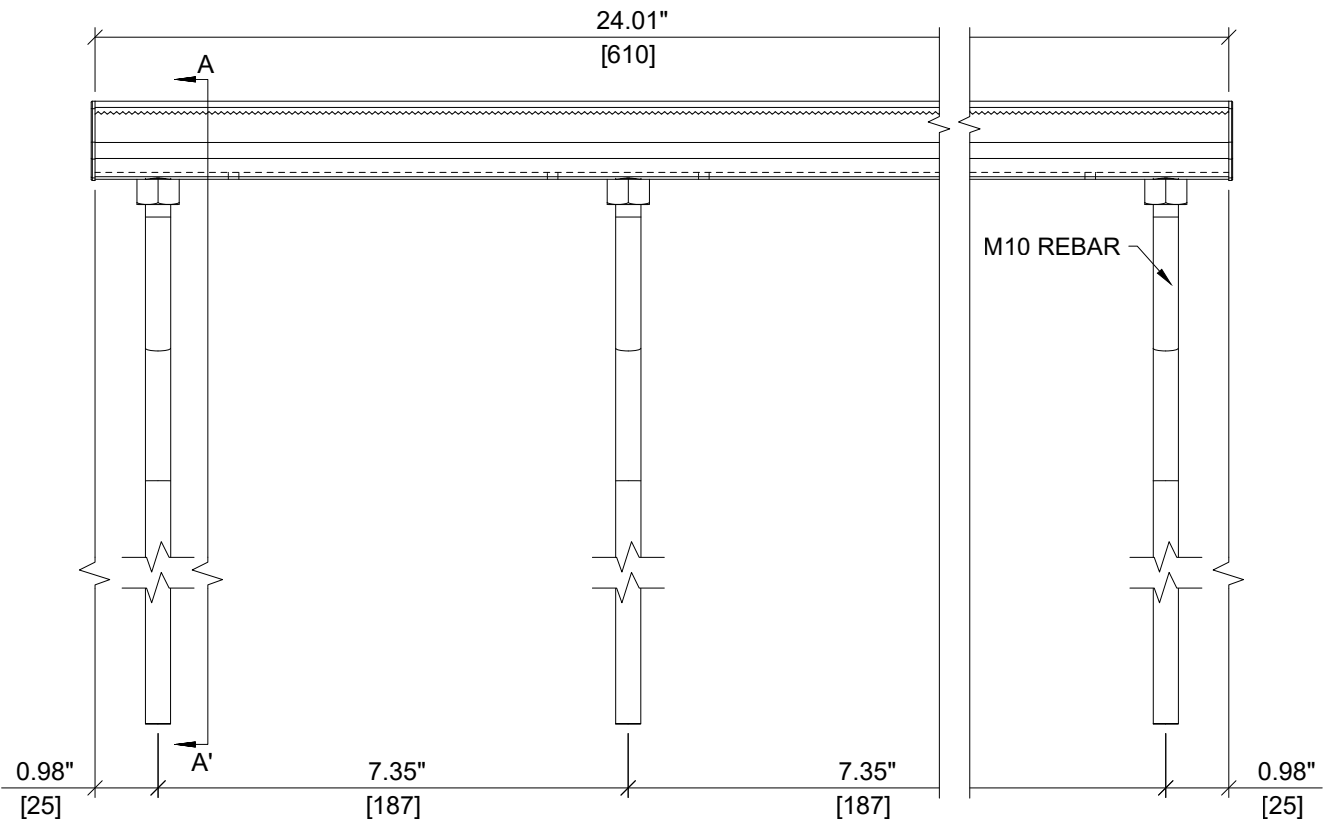
ISOMETRIC VIEW



HILTI

ITEM NUMBER: <div style="font-size: 18px; font-weight: bold; text-align: center;">2348138</div>	CHANNEL LIP: <div style="font-size: 18px; font-weight: bold; text-align: center;">SERRATED</div>
ITEM DESCRIPTION: <div style="font-weight: bold;">HAC-V-T 50 589/550 F Rebar XT</div>	

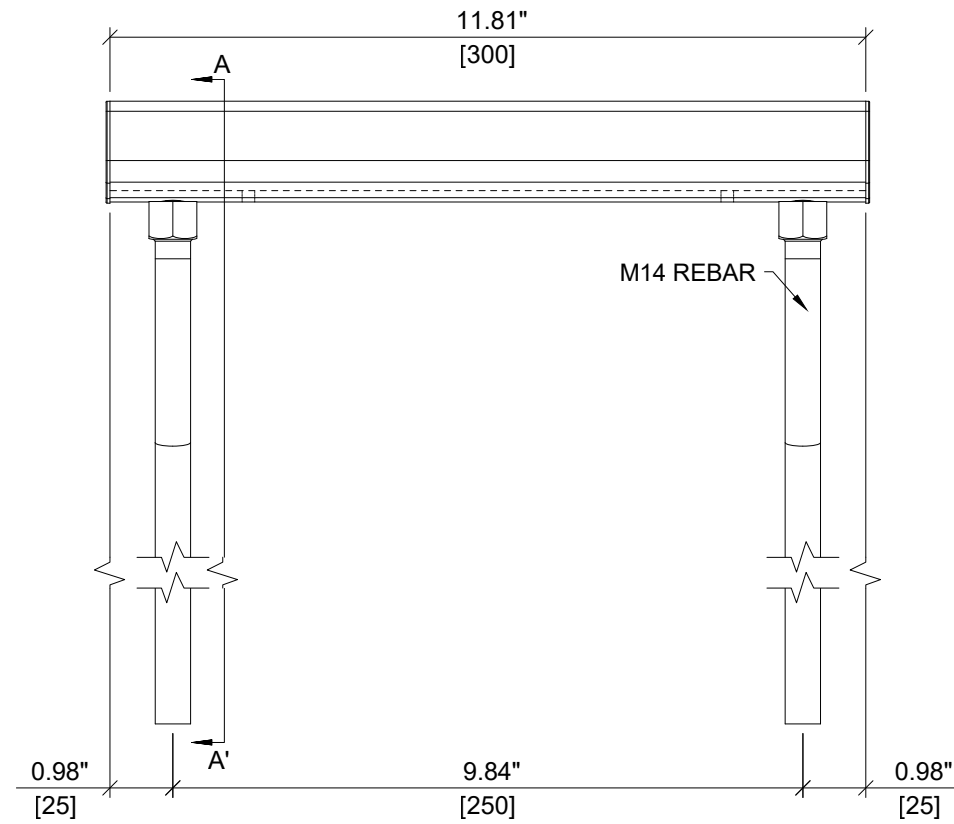
ITEM	DESCRIPTION	QUANTITY
1	CHANNEL PROFILE	1
2	RIVET CONNECTION	4
3	M10 REBAR	4
4	END CAP	2
5	TEAR OUT BAND	2
6	FILLER FOAM	1



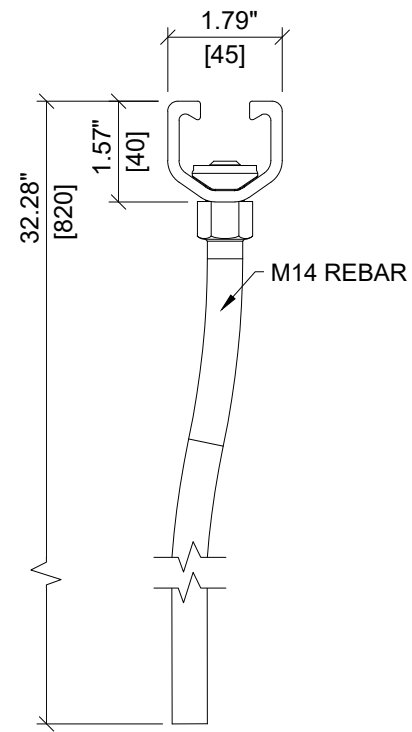
HILTI

ITEM NUMBER: <div style="font-size: 18px; font-weight: bold;">2348139</div>	CHANNEL LIP: <div style="font-size: 18px; font-weight: bold;">SERRATED</div>
ITEM DESCRIPTION: <div style="font-weight: bold;">HAC-V-T 50 589/610 F Rebar XT</div>	

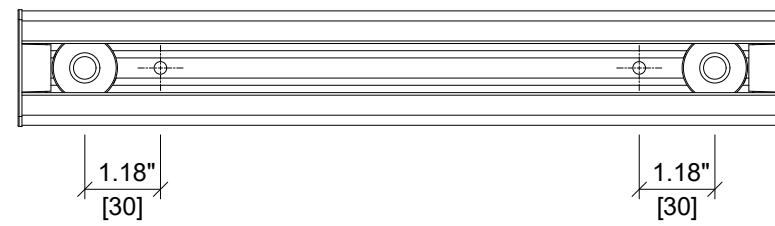
ITEM	DESCRIPTION	QUANTITY
1	CHANNEL PROFILE	1
2	RIVET CONNECTION	2
3	M14 REBAR	2
4	END CAP	2
5	TEAR OUT BAND	1
6	FILLER FOAM	1



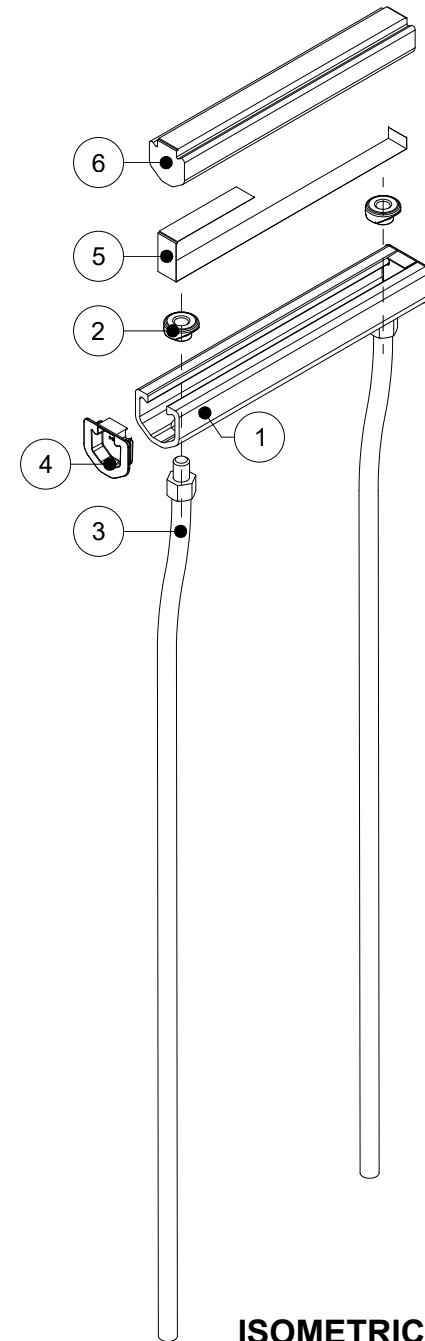
ELEVATION VIEW



SECTION A-A'



PLAN VIEW



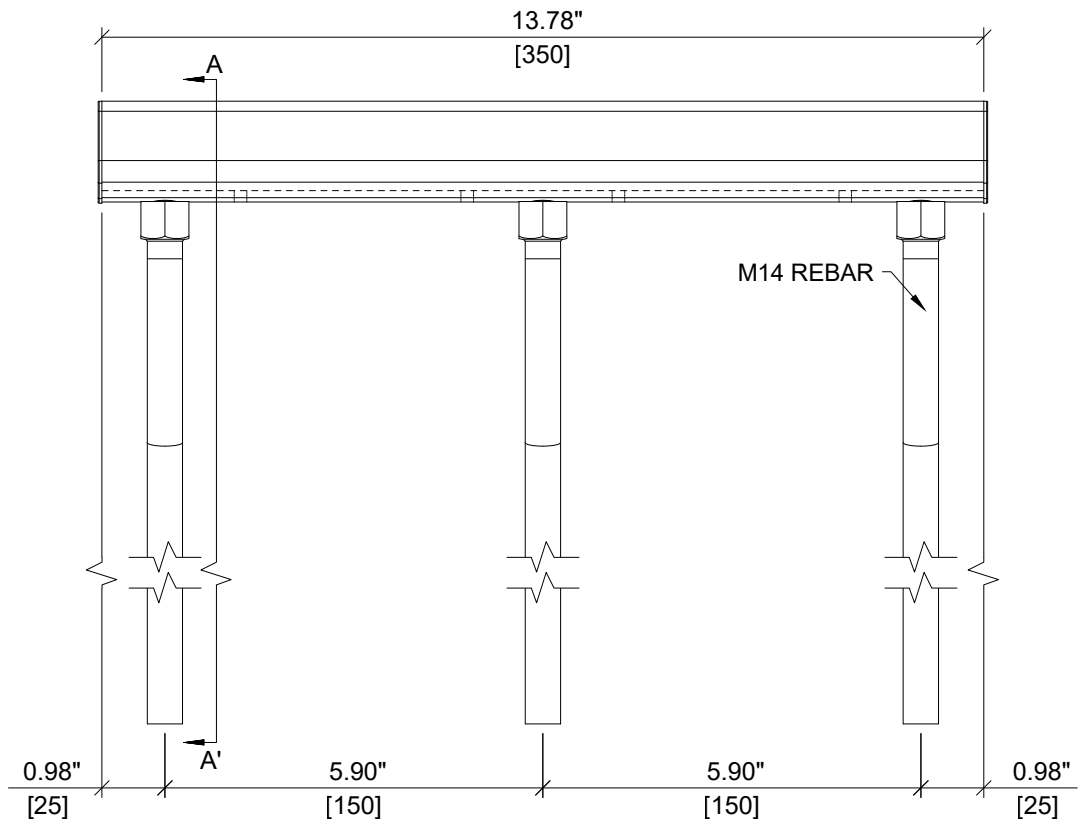
ISOMETRIC VIEW



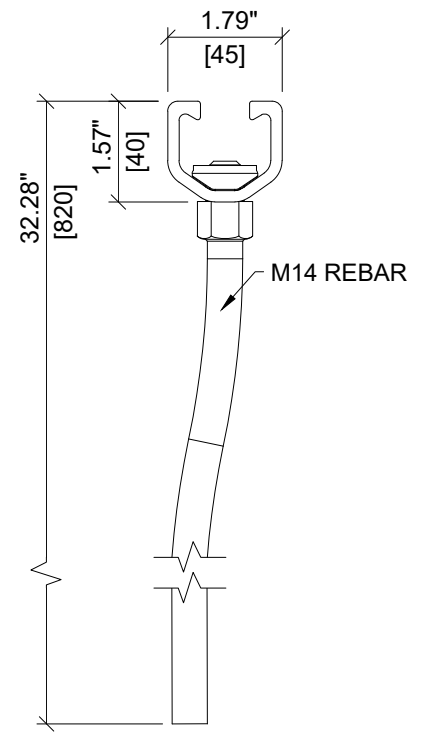
ITEM NUMBER: 2348140	CHANNEL LIP: SMOOTH
--------------------------------	-------------------------------

ITEM DESCRIPTION:
HAC-V 70 820/300 F Rebar XT

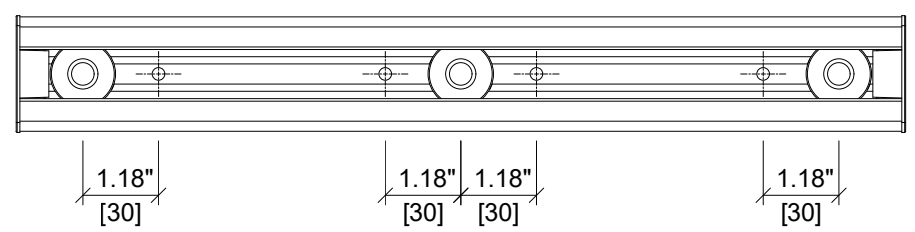




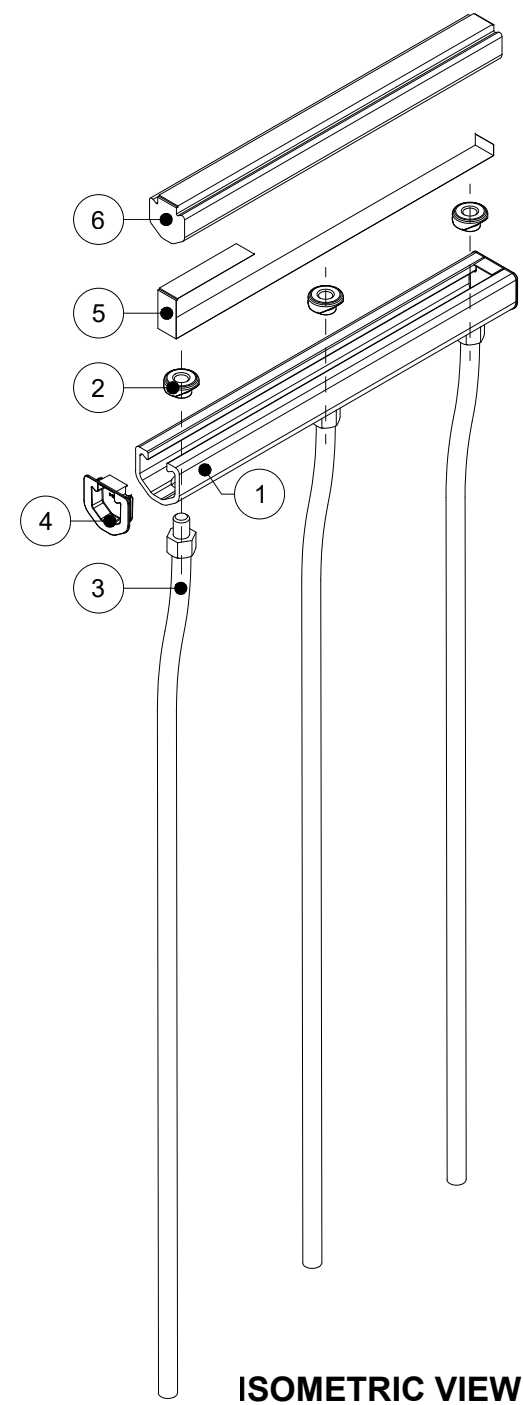
ELEVATION VIEW



SECTION A-A'

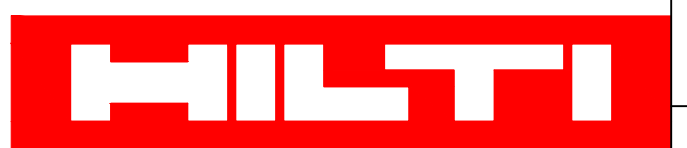


PLAN VIEW



ISOMETRIC VIEW

ITEM	DESCRIPTION	QUANTITY
1	CHANNEL PROFILE	1
2	RIVET CONNECTION	3
3	M14 REBAR	3
4	END CAP	2
5	TEAR OUT BAND	1
6	FILLER FOAM	1

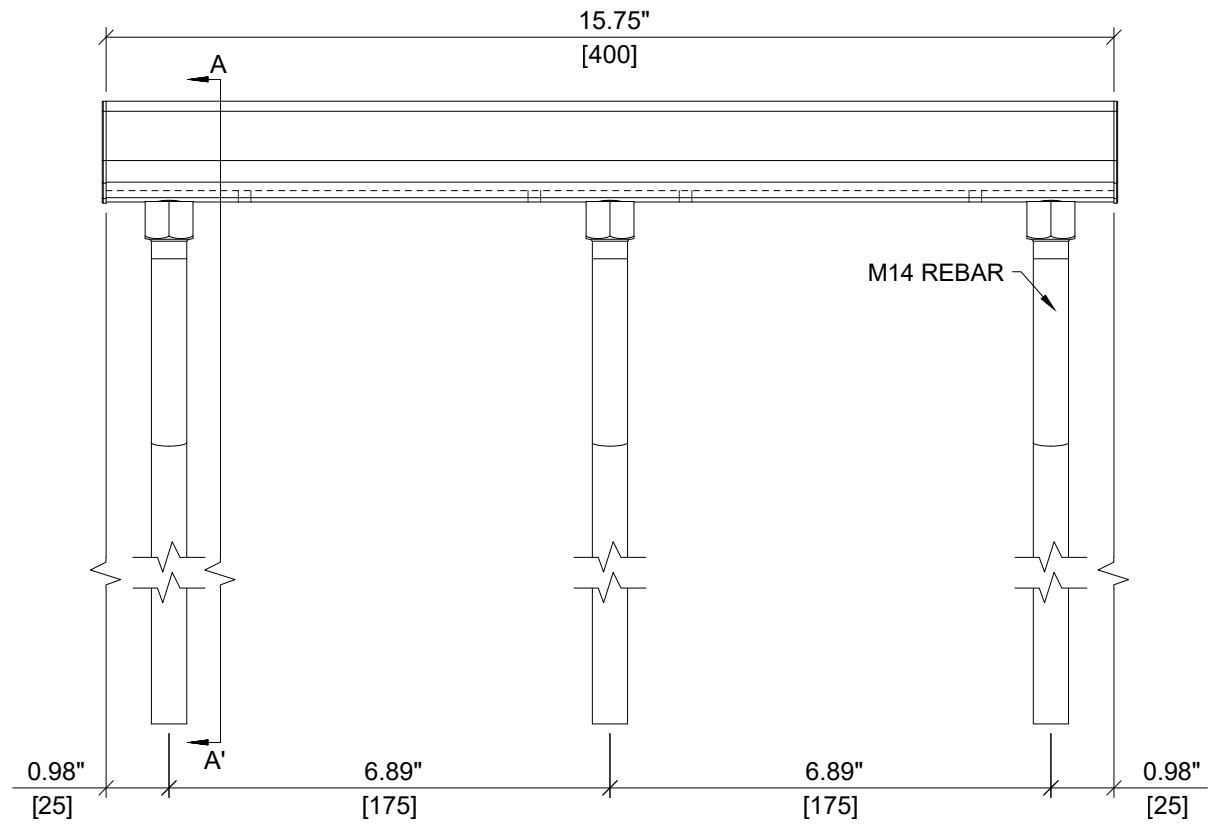


ITEM NUMBER: 2348141	CHANNEL LIP: SMOOTH
--------------------------------	-------------------------------

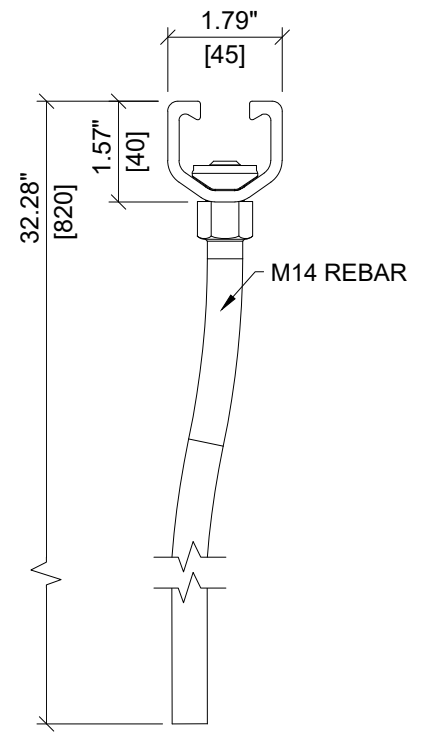
ITEM DESCRIPTION:
HAC-V 70 820/350 F Rebar XT



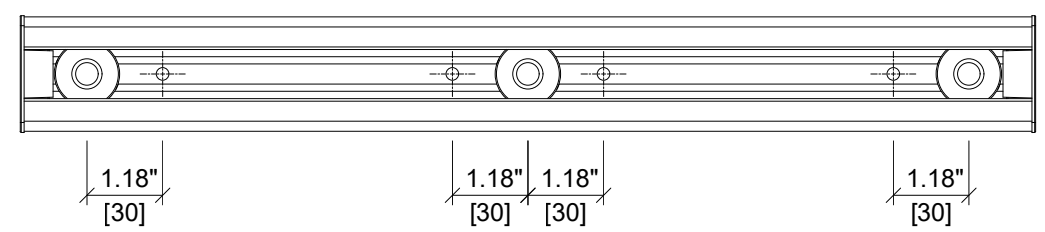
ITEM	DESCRIPTION	QUANTITY
1	CHANNEL PROFILE	1
2	RIVET CONNECTION	3
3	M14 REBAR	3
4	END CAP	2
5	TEAR OUT BAND	1
6	FILLER FOAM	1



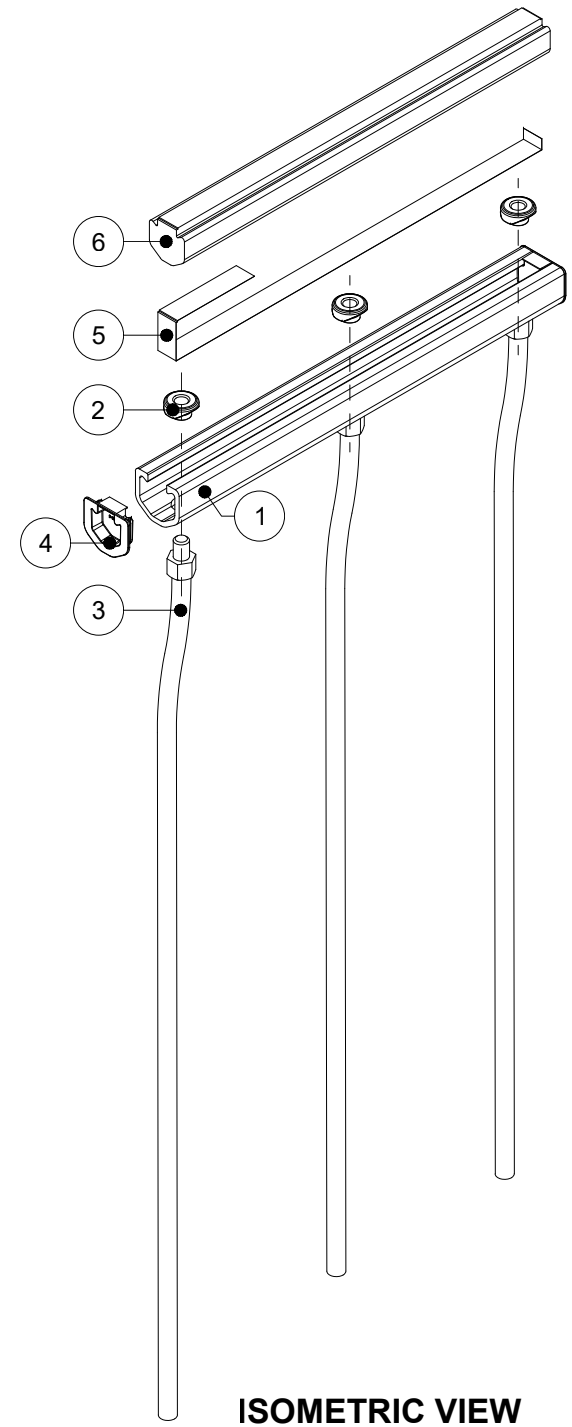
ELEVATION VIEW



SECTION A-A'



PLAN VIEW

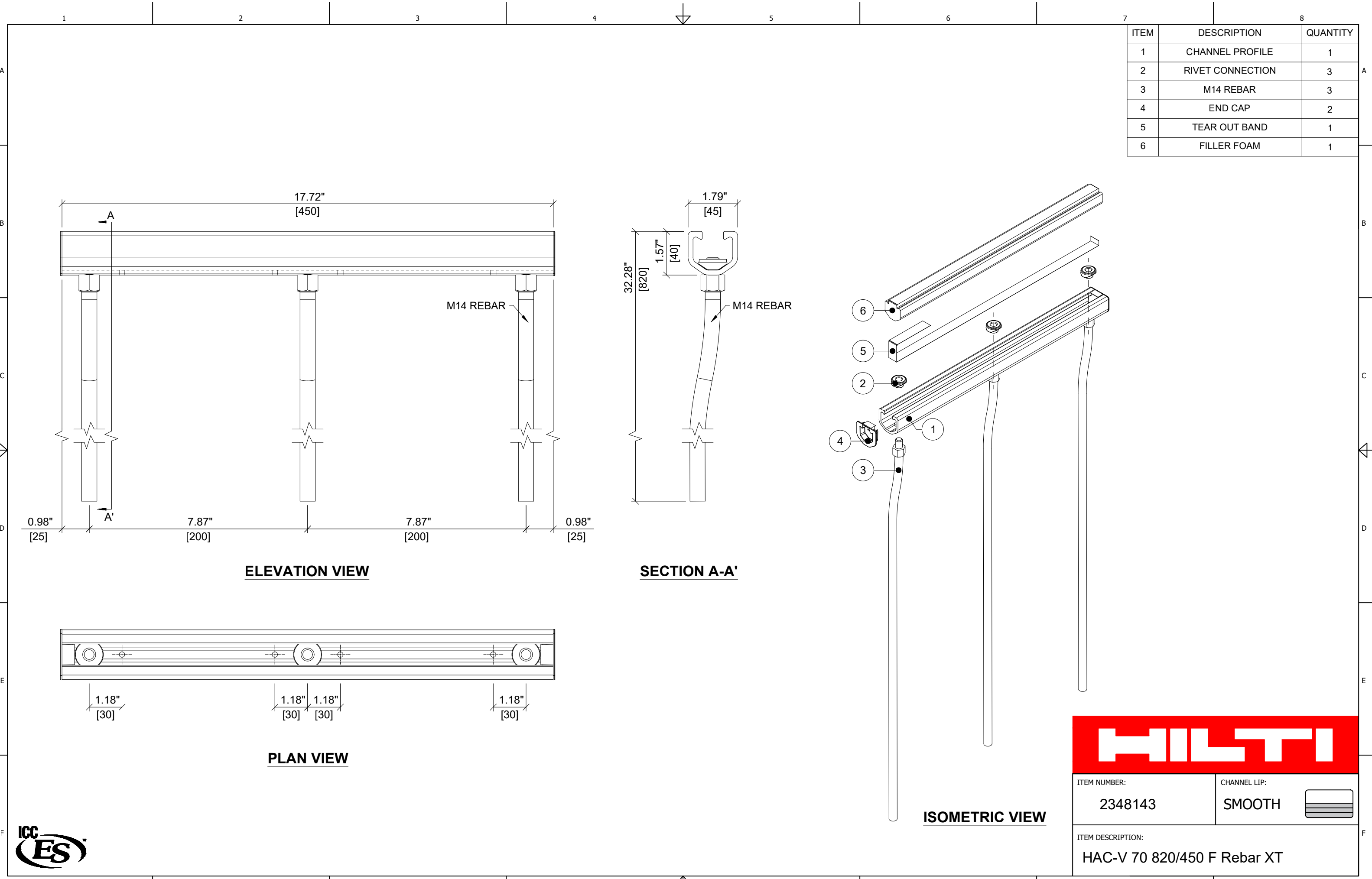


ISOMETRIC VIEW



ITEM NUMBER: 2348142	CHANNEL LIP: SMOOTH
--------------------------------	-------------------------------

ITEM DESCRIPTION:
HAC-V 70 820/400 F Rebar XT



ITEM	DESCRIPTION	QUANTITY
1	CHANNEL PROFILE	1
2	RIVET CONNECTION	3
3	M14 REBAR	3
4	END CAP	2
5	TEAR OUT BAND	1
6	FILLER FOAM	1

ELEVATION VIEW

SECTION A-A'

PLAN VIEW

ISOMETRIC VIEW

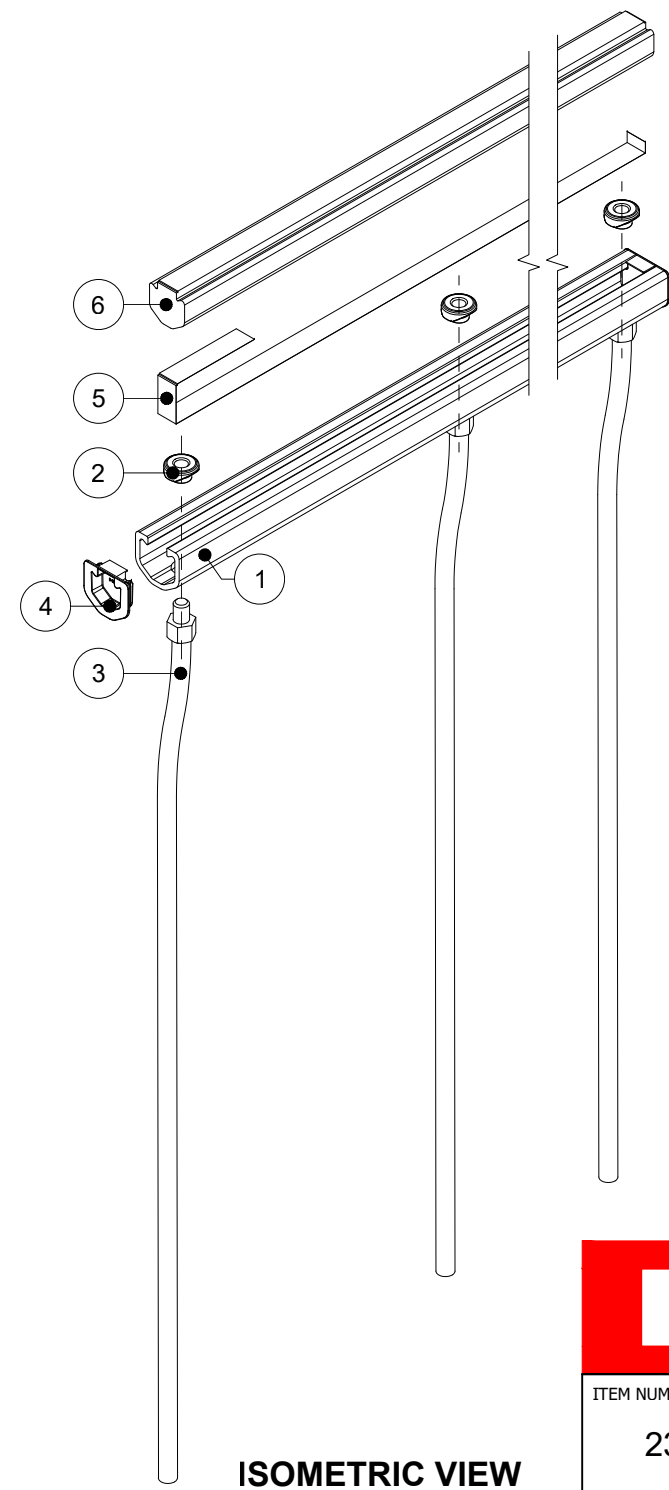
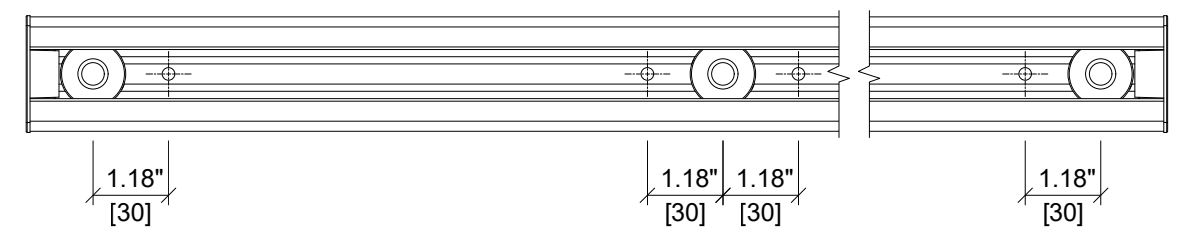
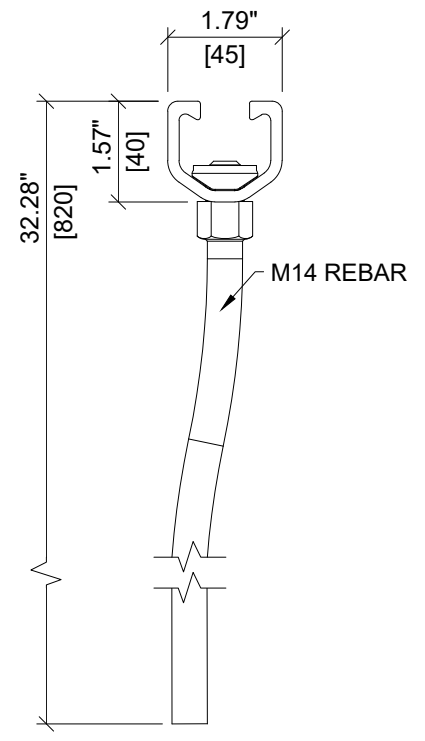
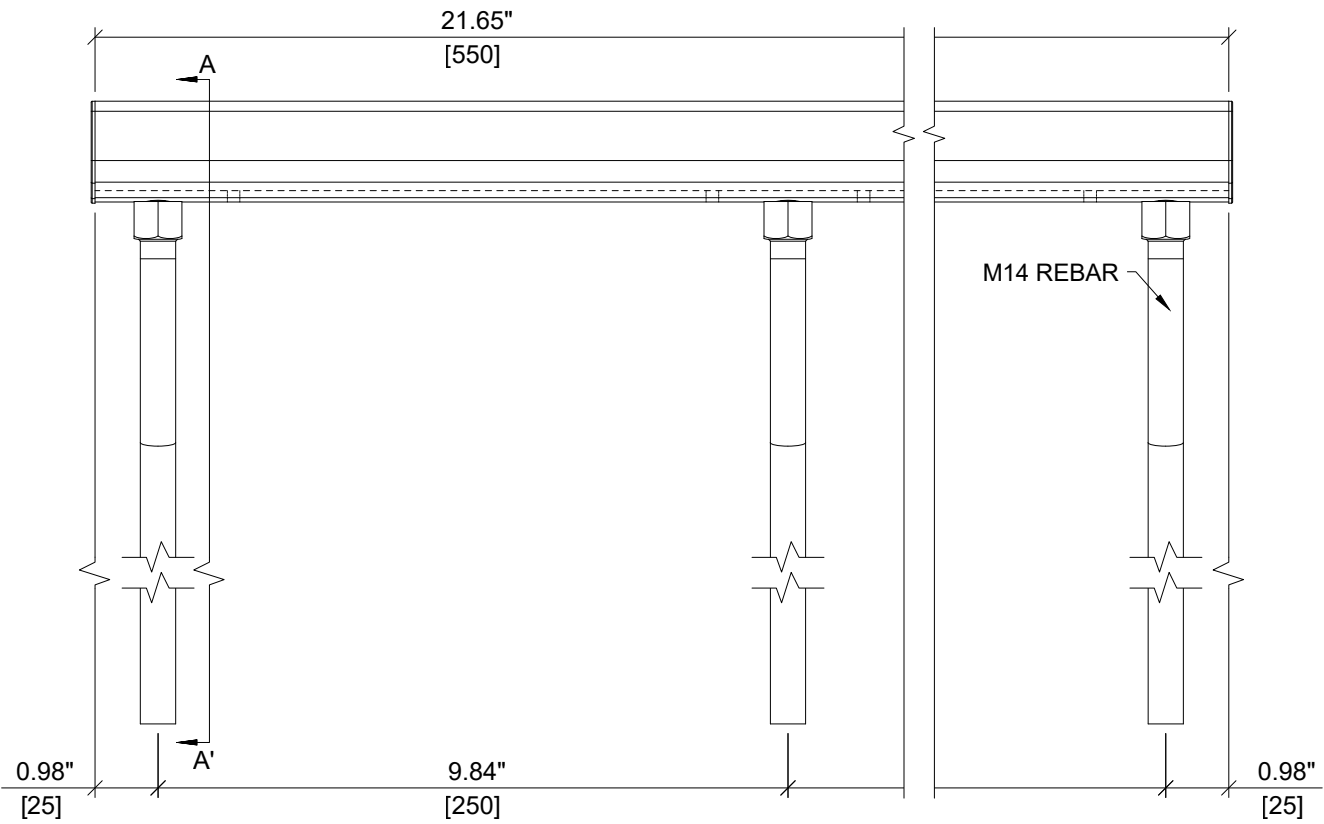


ITEM NUMBER: 2348143	CHANNEL LIP: SMOOTH
--------------------------------	-------------------------------

ITEM DESCRIPTION:
HAC-V 70 820/450 F Rebar XT

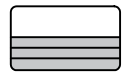


ITEM	DESCRIPTION	QUANTITY
1	CHANNEL PROFILE	1
2	RIVET CONNECTION	3
3	M14 REBAR	3
4	END CAP	2
5	TEAR OUT BAND	1
6	FILLER FOAM	1

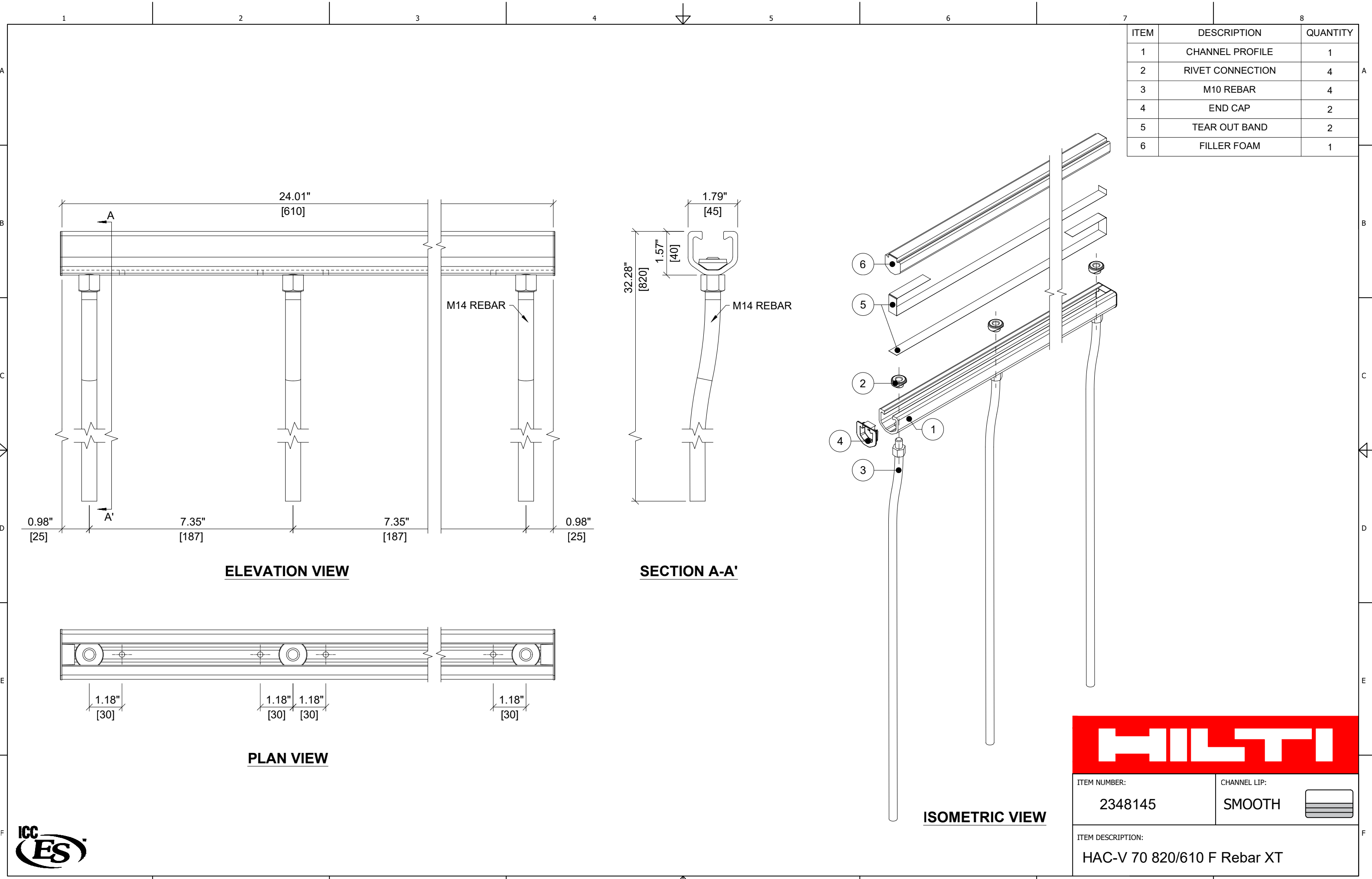


HILTI

ITEM NUMBER: 2348144

CHANNEL LIP: SMOOTH 

ITEM DESCRIPTION: HAC-V 70 820/550 F Rebar XT



ITEM	DESCRIPTION	QUANTITY
1	CHANNEL PROFILE	1
2	RIVET CONNECTION	4
3	M10 REBAR	4
4	END CAP	2
5	TEAR OUT BAND	2
6	FILLER FOAM	1

HILTI

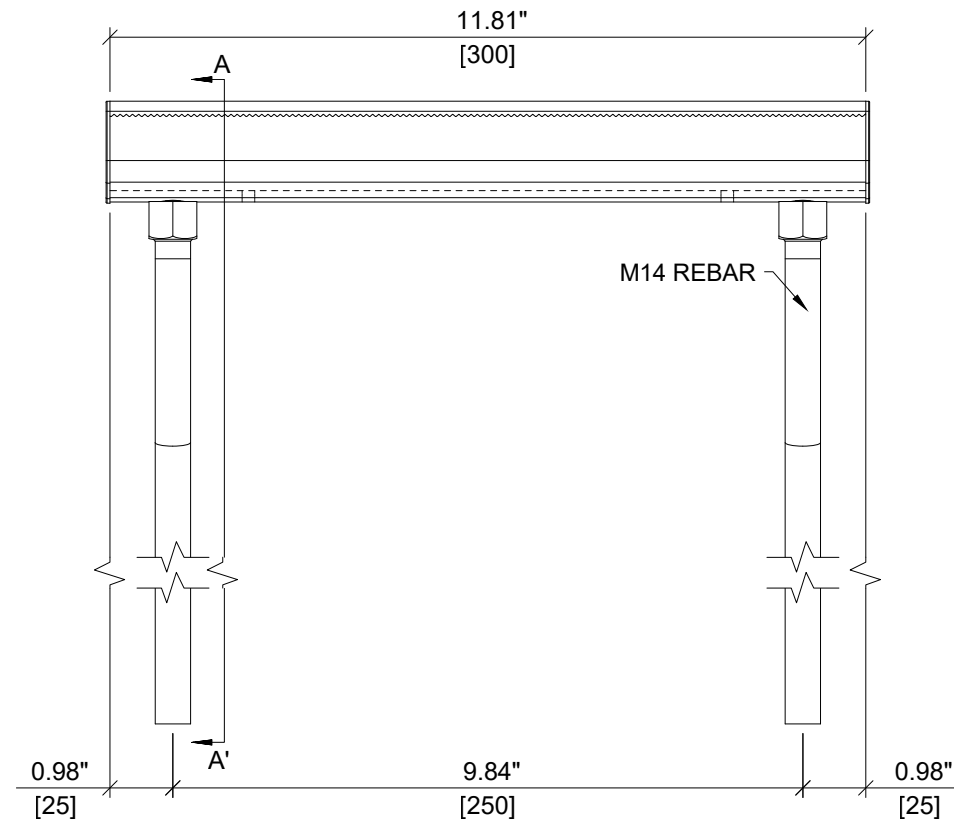
ITEM NUMBER: 2348145

CHANNEL LIP: SMOOTH

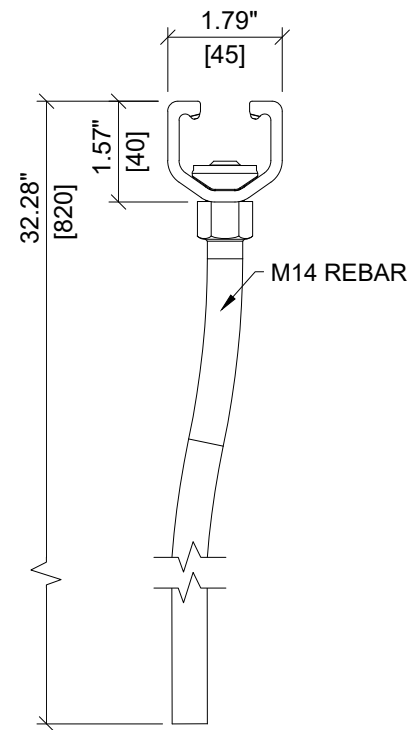
ITEM DESCRIPTION: HAC-V 70 820/610 F Rebar XT



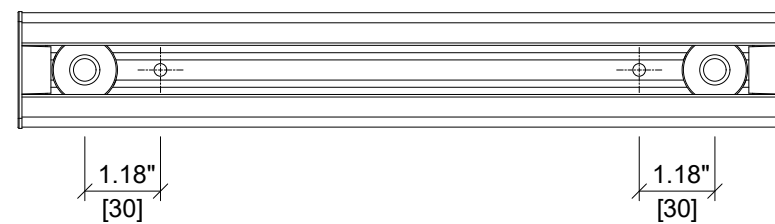
ITEM	DESCRIPTION	QUANTITY
1	CHANNEL PROFILE	1
2	RIVET CONNECTION	2
3	M14 REBAR	2
4	END CAP	2
5	TEAR OUT BAND	1
6	FILLER FOAM	1



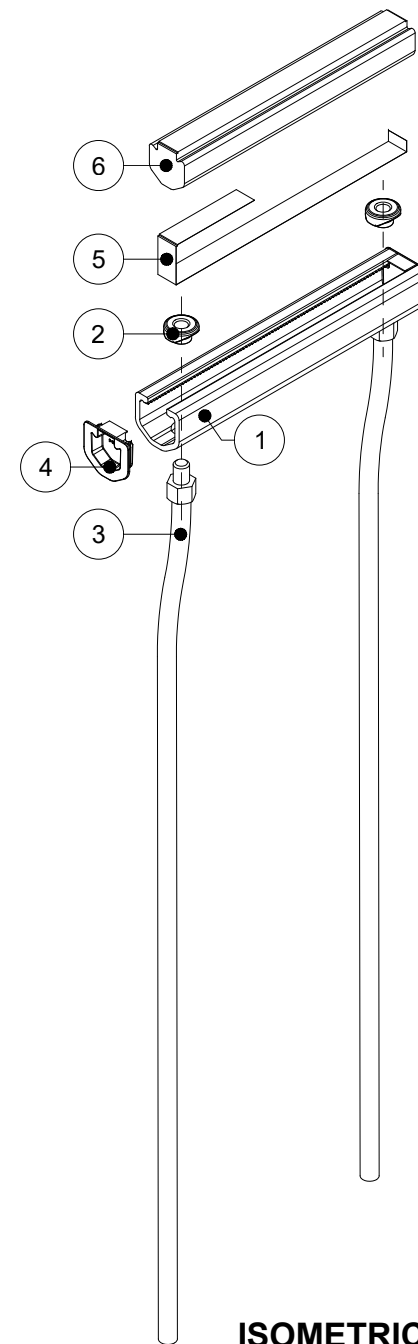
ELEVATION VIEW



SECTION A-A'

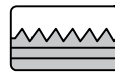


PLAN VIEW



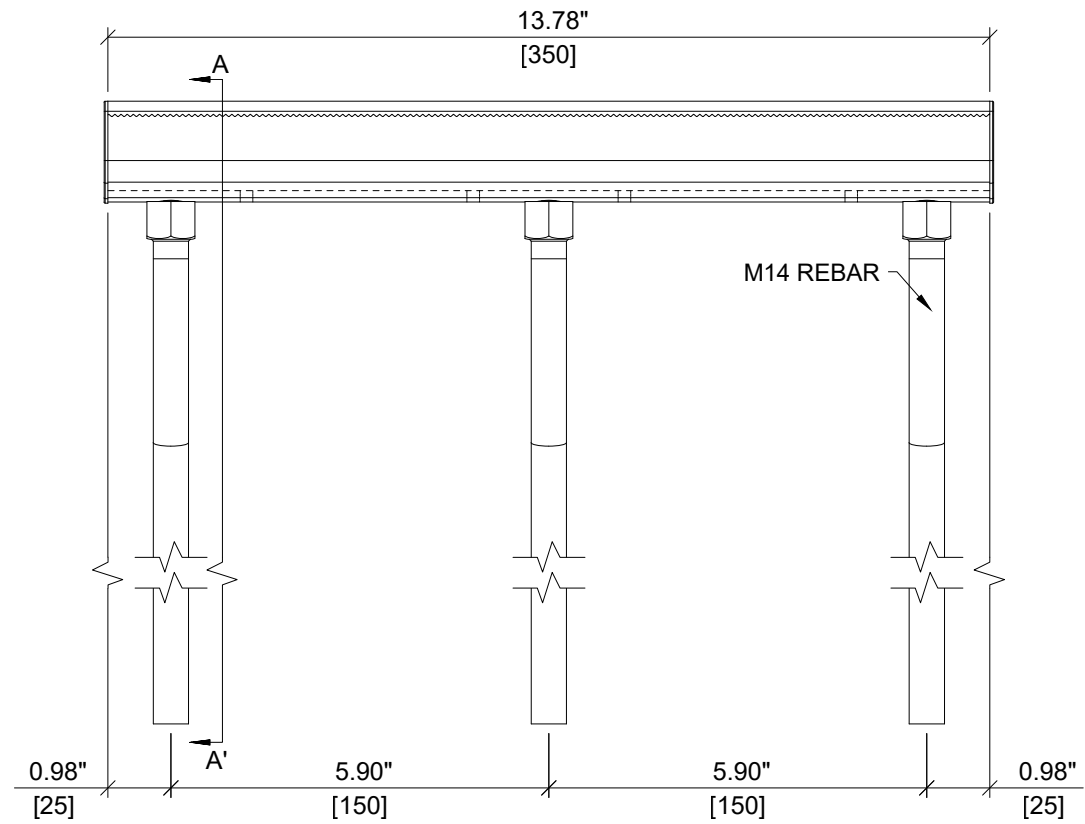
ISOMETRIC VIEW



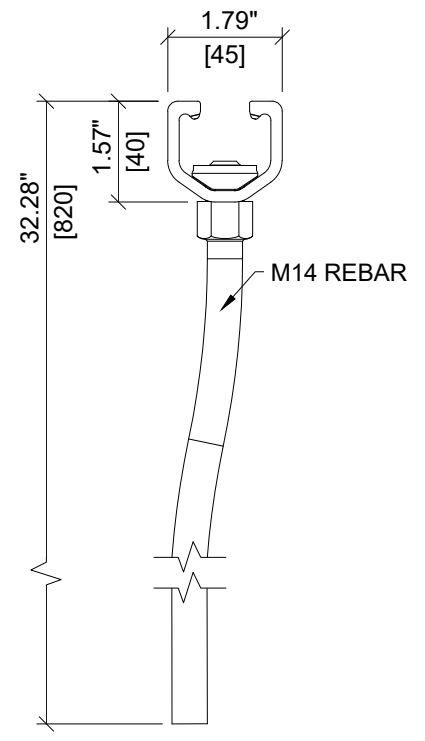
ITEM NUMBER: 2348146	CHANNEL LIP: SERRATED 
ITEM DESCRIPTION: HAC-V-T 70 820/300 F Rebar XT	



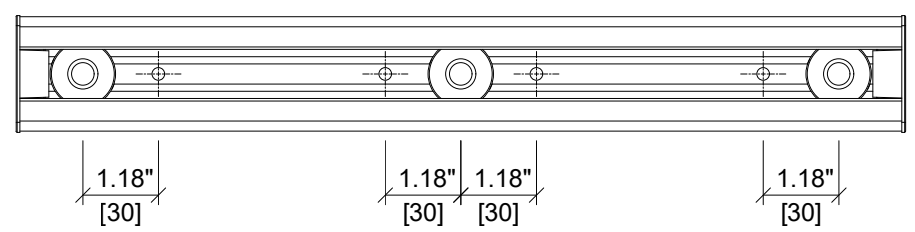
ITEM	DESCRIPTION	QUANTITY
1	CHANNEL PROFILE	1
2	RIVET CONNECTION	3
3	M14 REBAR	3
4	END CAP	2
5	TEAR OUT BAND	1
6	FILLER FOAM	1



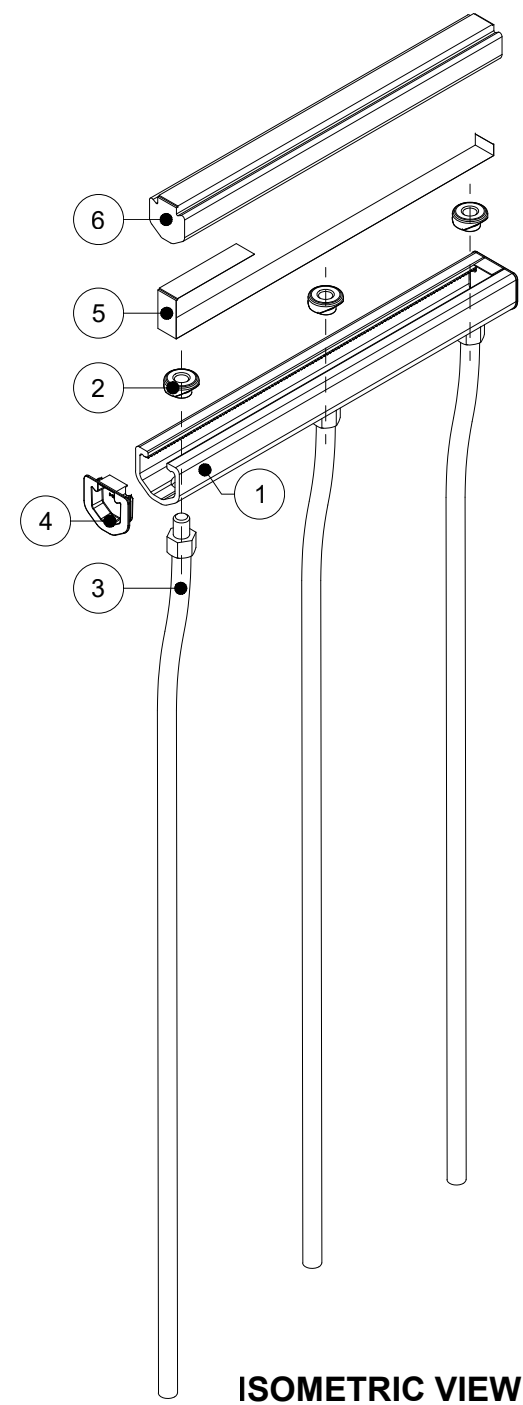
ELEVATION VIEW



SECTION A-A'



PLAN VIEW



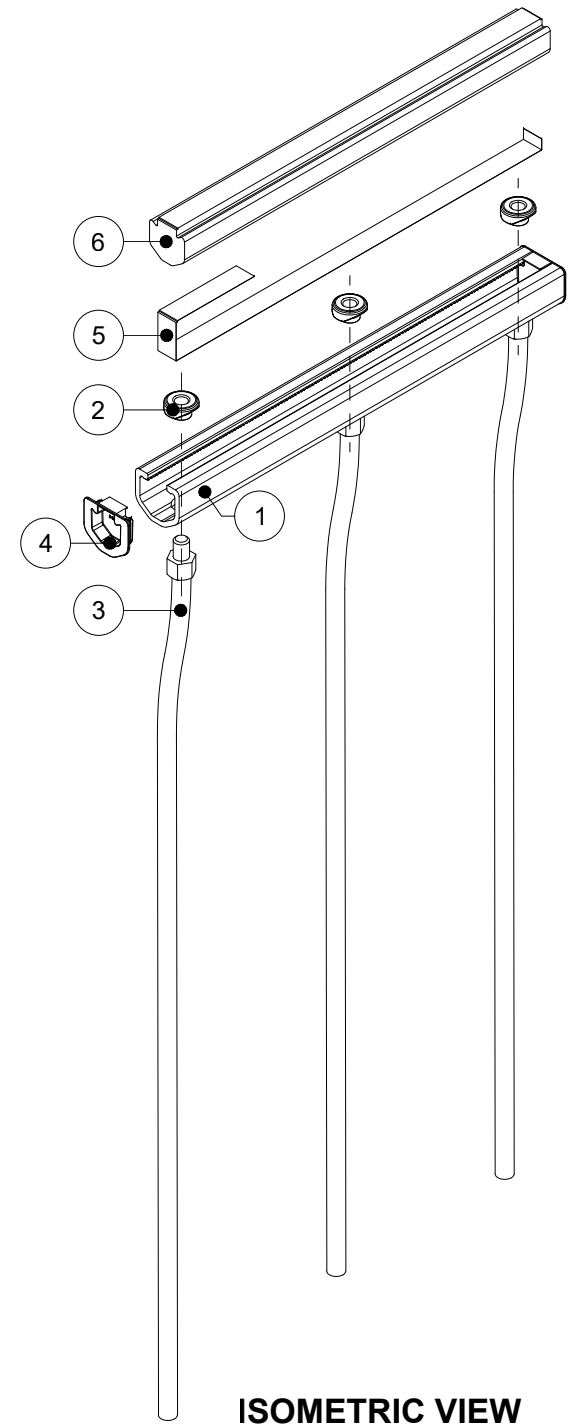
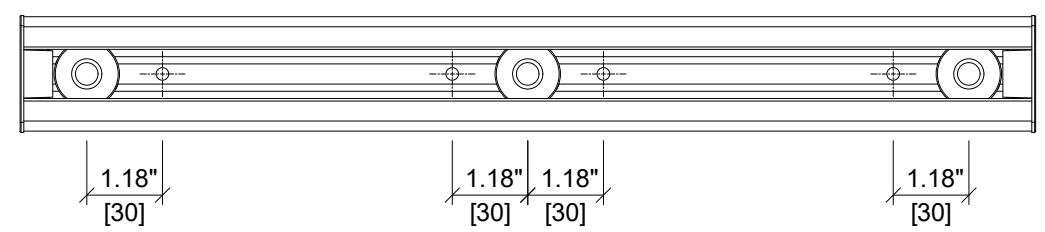
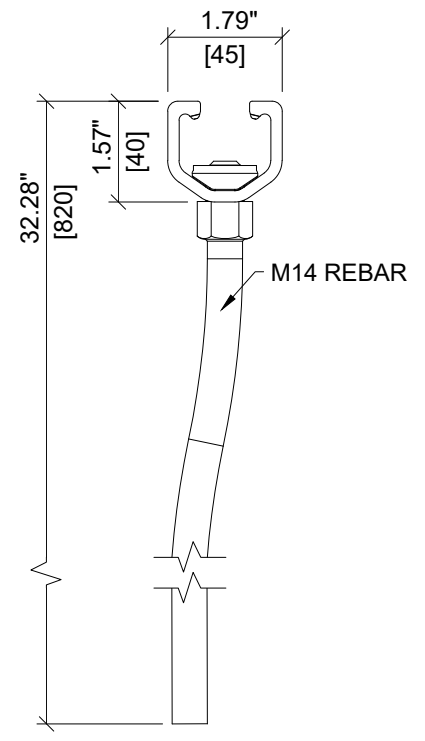
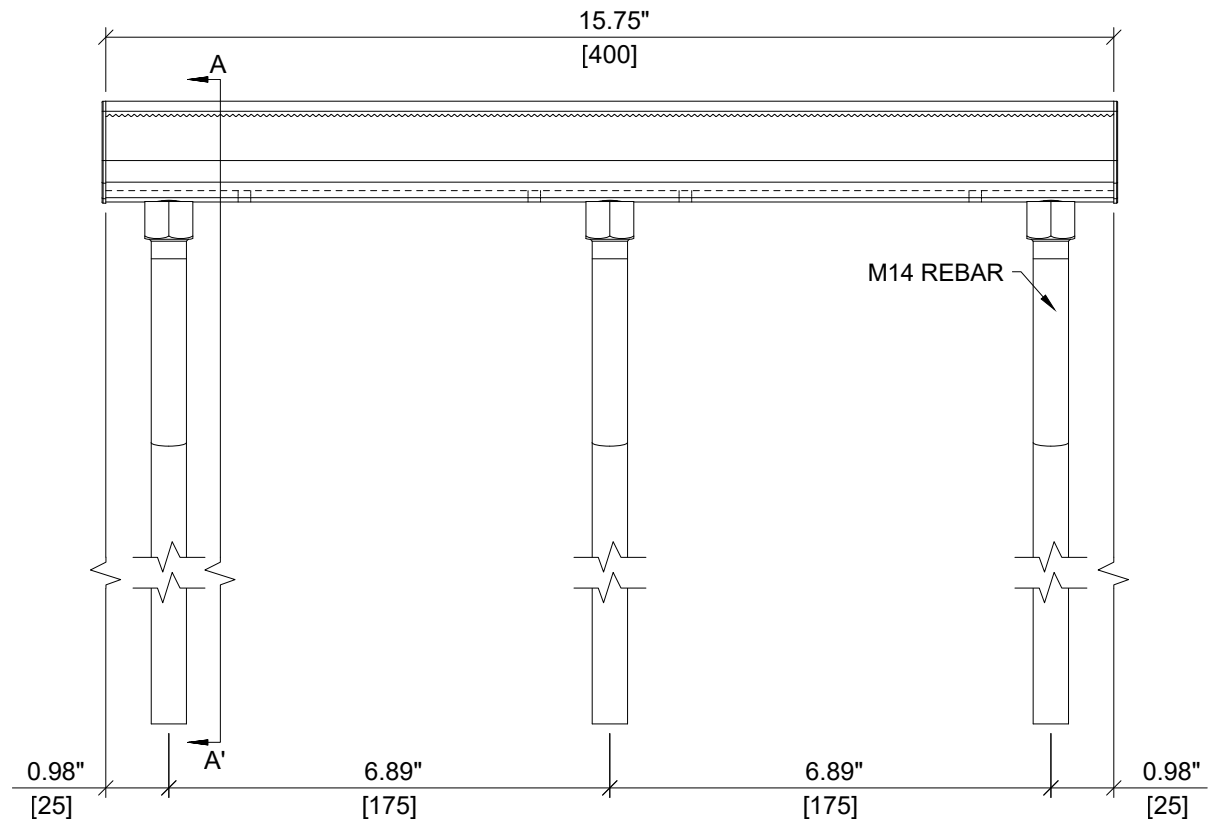
ISOMETRIC VIEW

HILTI

ITEM NUMBER: <div style="font-size: 18px; font-weight: bold;">2348147</div>	CHANNEL LIP: <div style="font-size: 18px; font-weight: bold;">SERRATED</div>
ITEM DESCRIPTION: <div style="font-weight: bold;">HAC-V-T 70 820/350 F Rebar XT</div>	

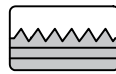


ITEM	DESCRIPTION	QUANTITY
1	CHANNEL PROFILE	1
2	RIVET CONNECTION	3
3	M14 REBAR	3
4	END CAP	2
5	TEAR OUT BAND	1
6	FILLER FOAM	1



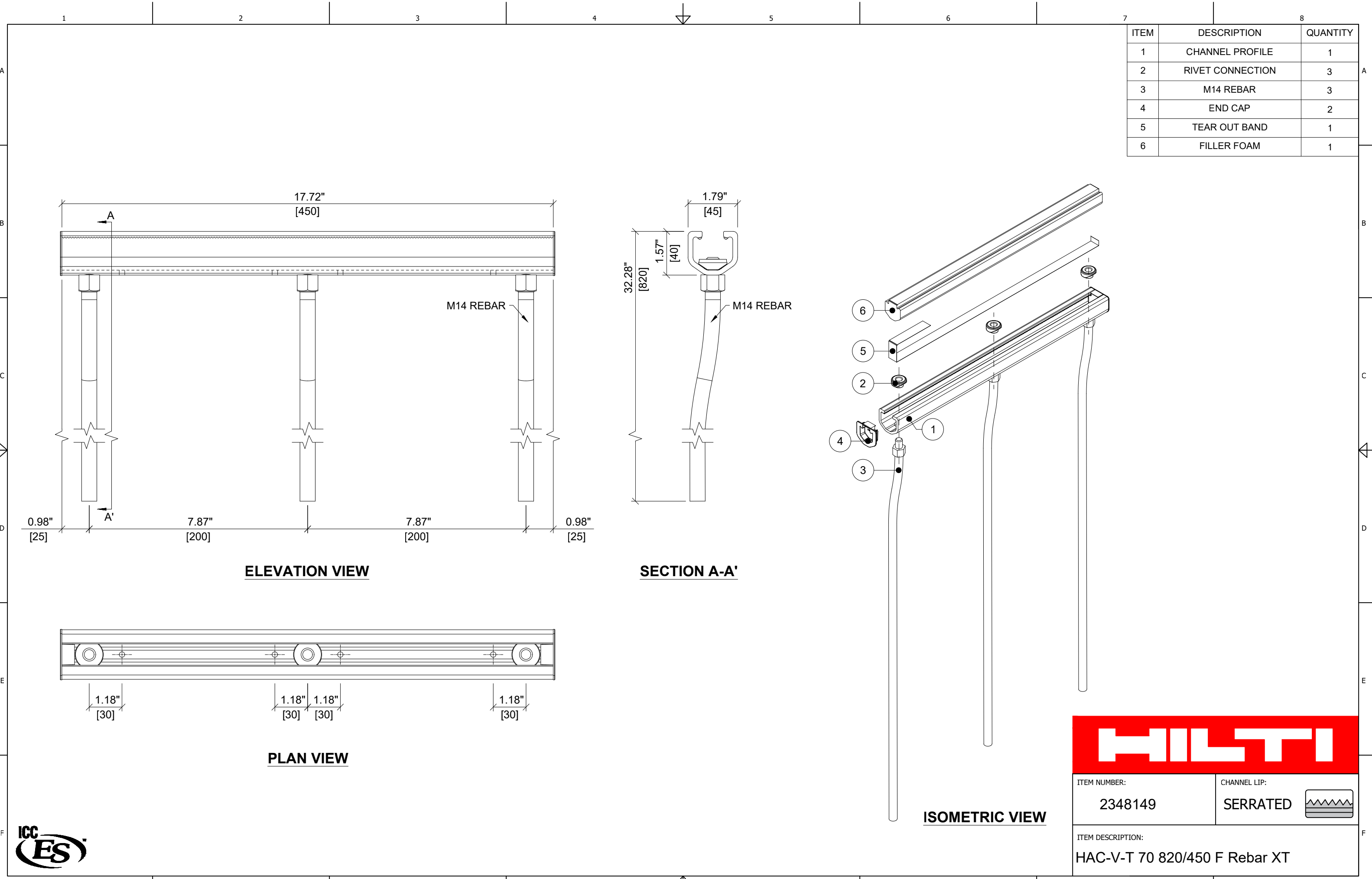
HILTI

ITEM NUMBER: 2348148

CHANNEL LIP: SERRATED 

ITEM DESCRIPTION: HAC-V-T 70 820/400 F Rebar XT





ITEM	DESCRIPTION	QUANTITY
1	CHANNEL PROFILE	1
2	RIVET CONNECTION	3
3	M14 REBAR	3
4	END CAP	2
5	TEAR OUT BAND	1
6	FILLER FOAM	1

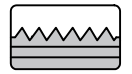
ELEVATION VIEW

SECTION A-A'

PLAN VIEW

ISOMETRIC VIEW

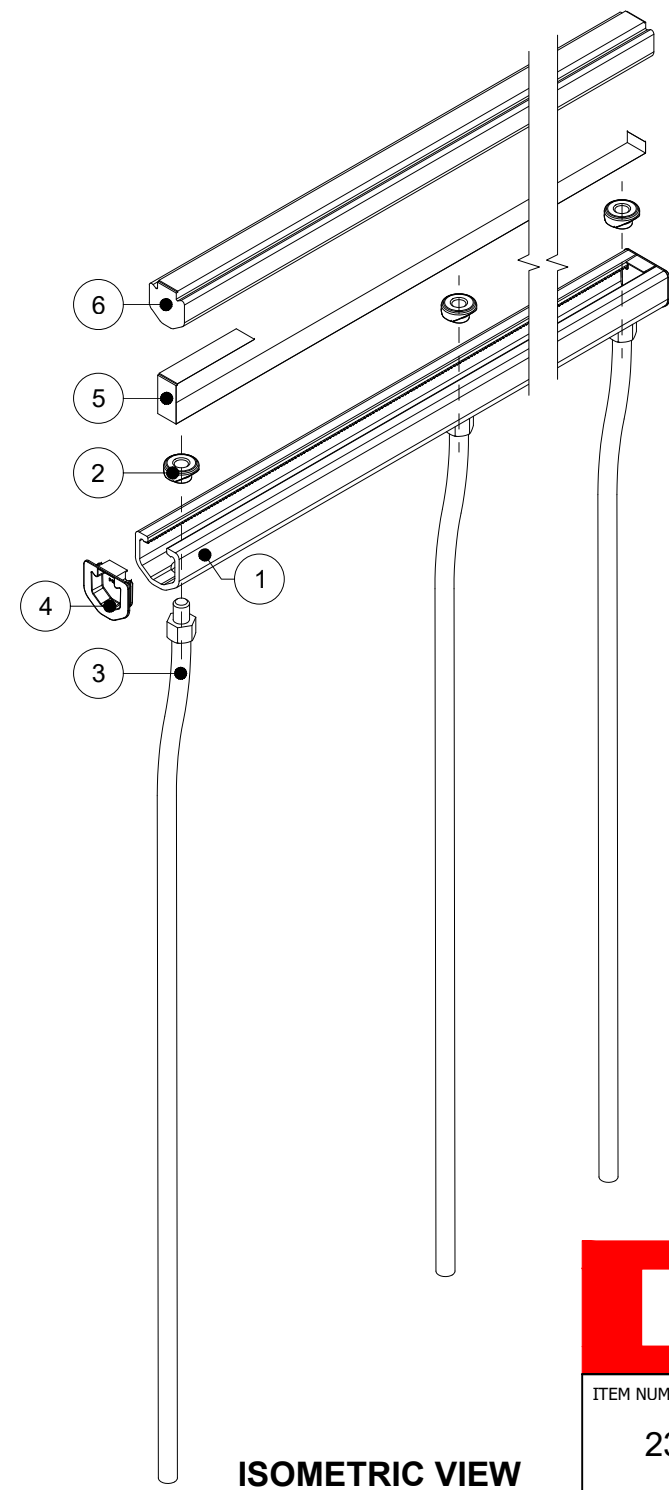
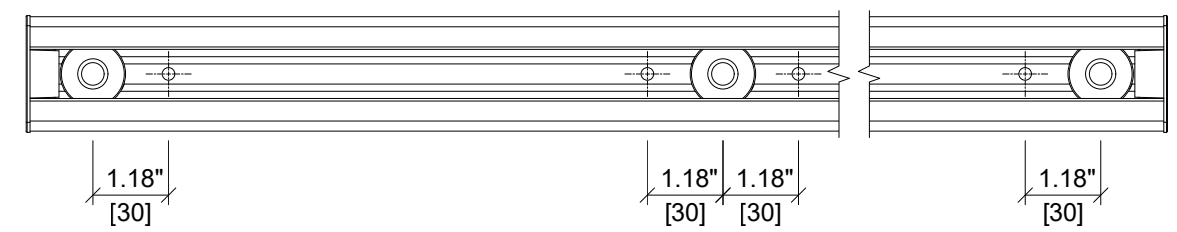
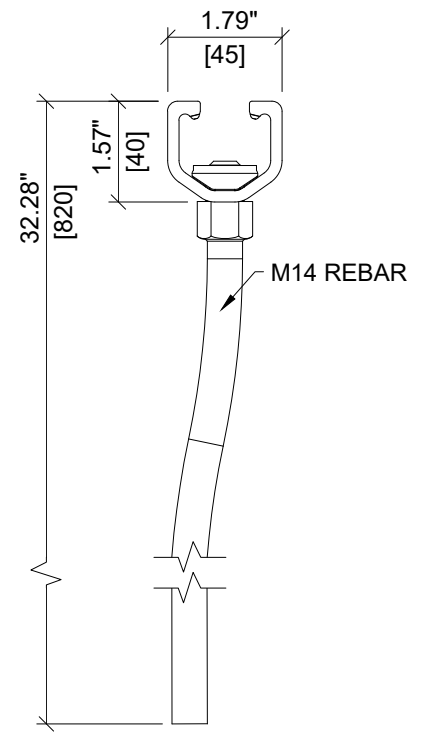
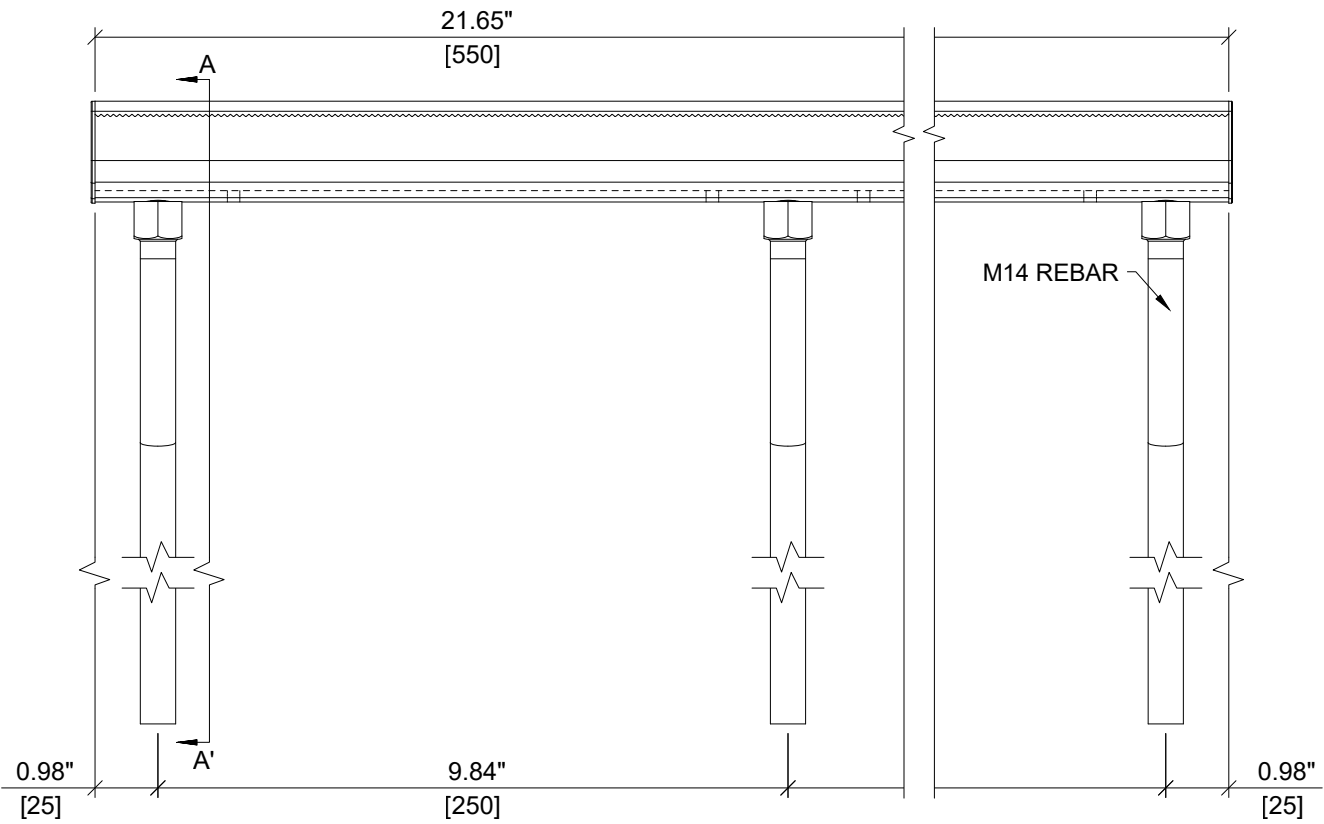


ITEM NUMBER: 2348149	CHANNEL LIP: SERRATED 
--------------------------------	---

ITEM DESCRIPTION:
HAC-V-T 70 820/450 F Rebar XT

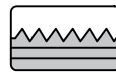


ITEM	DESCRIPTION	QUANTITY
1	CHANNEL PROFILE	1
2	RIVET CONNECTION	3
3	M14 REBAR	3
4	END CAP	2
5	TEAR OUT BAND	1
6	FILLER FOAM	1

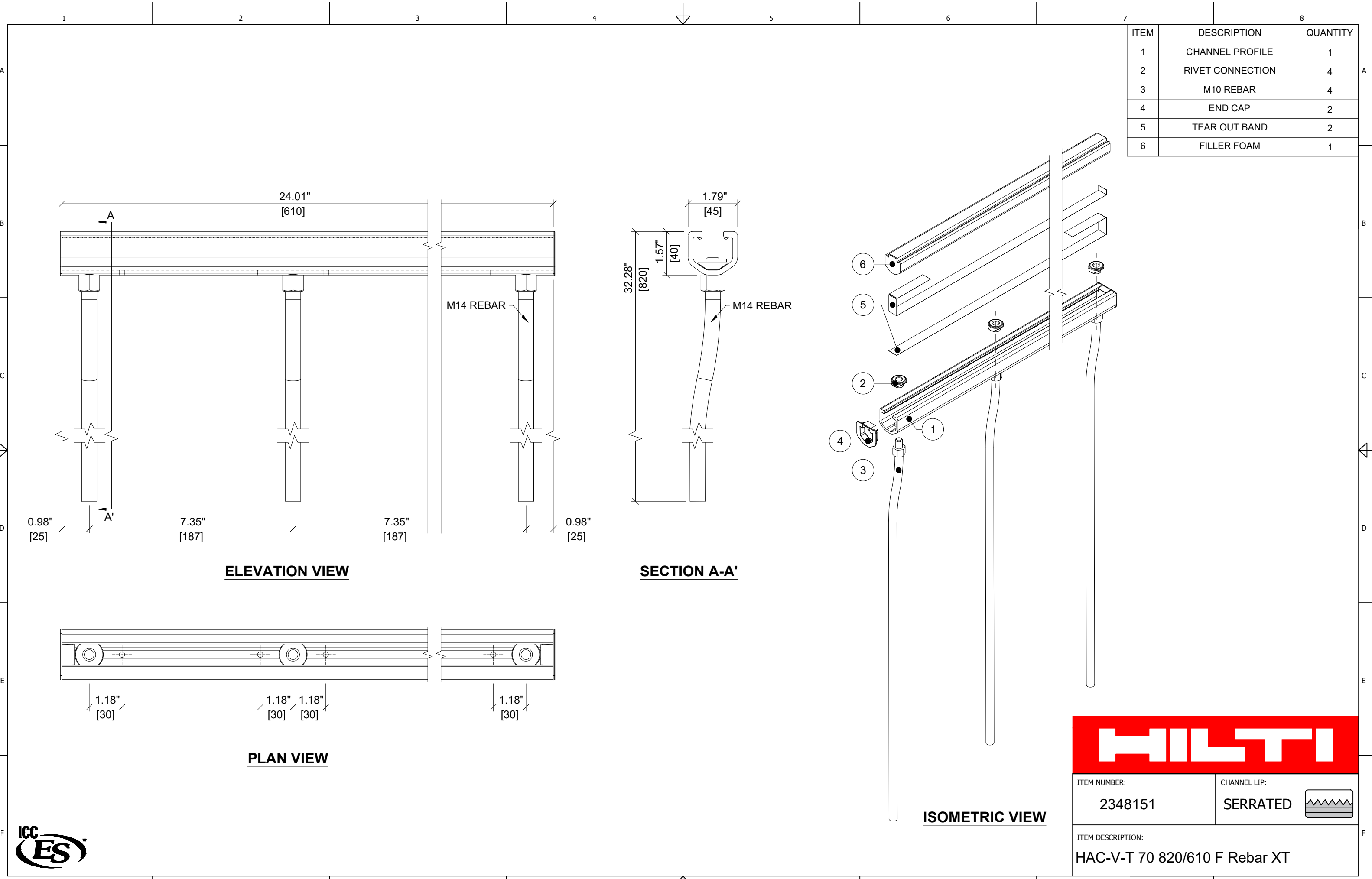


HILTI

ITEM NUMBER: 2348150

CHANNEL LIP: SERRATED 

ITEM DESCRIPTION: HAC-V-T 70 820/550 F Rebar XT




ITEM	DESCRIPTION	QUANTITY
1	CHANNEL PROFILE	1
2	RIVET CONNECTION	4
3	M10 REBAR	4
4	END CAP	2
5	TEAR OUT BAND	2
6	FILLER FOAM	1

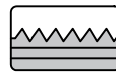
ELEVATION VIEW

SECTION A-A'

PLAN VIEW

ISOMETRIC VIEW



ITEM NUMBER: 2348151	CHANNEL LIP: SERRATED 
ITEM DESCRIPTION: HAC-V-T 70 820/610 F Rebar XT	

