

UL/cUL SYSTEM NO. F-G-2001

PLASTIC PIPE THROUGH MASS TIMBER FLOOR ASSEMBLY

F-RATING = 2-HR.

T-RATING = 1/4-HR.

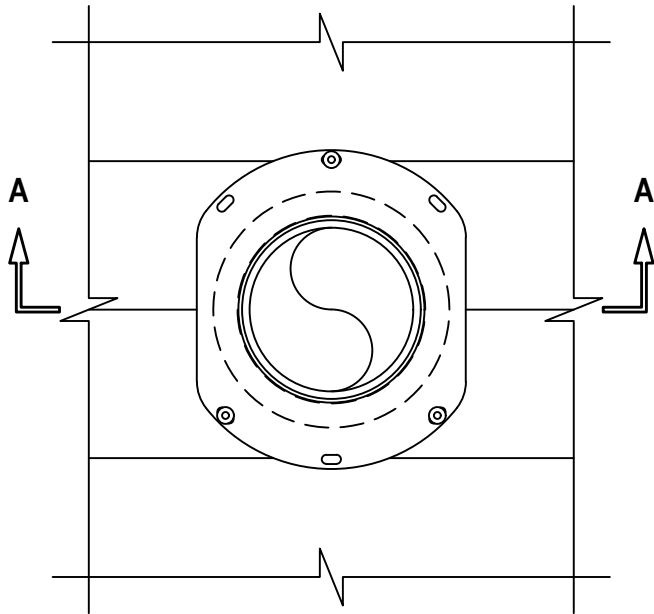
L-RATING AT AMBIENT = LESS THAN 1 CFM / SQ FT

L-RATING AT 400°F = LESS THAN 1 CFM / SQ FT

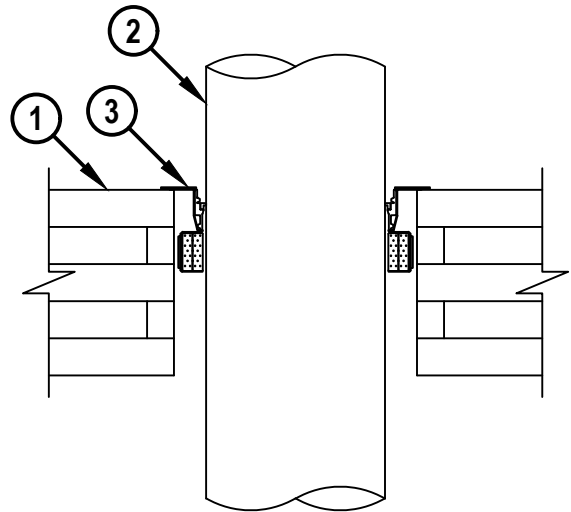
"THIS SYSTEM IS DESIGNED FOR A 2.5 PA PRESSURE DIFFERENTIAL"

FG2001a.092322

TOP VIEW



SECTION A-A



HILTI, Inc.
Plano, Texas USA (800) 879-8000

Sheet	1 of 2
Scale	9/64" = 1"
Date	Sep. 23, 2022

Drawing No.

**FG
2001a**

Saving Lives through Innovation and Education

PLASTIC PIPE THROUGH MASS TIMBER FLOOR ASSEMBLY

F-RATING = 2-HR.

T-RATING = 1/4-HR.

L-RATING AT AMBIENT = LESS THAN 1 CFM / SQ FT

L-RATING AT 400°F = LESS THAN 1 CFM / SQ FT

"THIS SYSTEM IS DESIGNED FOR A 2.5 PA PRESSURE DIFFERENTIAL"

FG2001a.092322

1. CROSS-LAMINATED TIMBER (CLT) PANEL, MINIMUM 6-7/8 IN. THICK, 5 PLY CROSS, LABELED CLT 175-5S, 220-7S, 244-7S GRADE E1 IN ACCORDANCE WITH ANSI/APA PRG 320 AS REQUIRED BY CHAPTER 6 OF INTERNATIONAL BUILDING CODE (IBC) FOR TYPE IVA, IVB OR IVC CONSTRUCTION. THE REQUIRED HOURLY RATING OF THE CLT FLOOR SHALL BE DETERMINED IN ACCORDANCE WITH CHAPTER 16 OF THE NATIONAL DESIGN SPECIFICATION (NDS). ADDITIONAL INFORMATION REGARDING THE USE OF CLT AS PERMITTED IN THE IBC IS LOCATED IN THE UL XHEZ GUIDE INFORMATION.
2. PENETRATING ITEM TO BE ONE OF THE FOLLOWING :
 - A. MAXIMUM 6" NOMINAL DIAMETER PVC PLASTIC PIPE (SOLID CORE).
 - B. MAXIMUM 6" NOMINAL DIAMETER CPVC PLASTIC PIPE.
3. HILTI CFS-DID FIRESTOP DROP-IN DEVICE INSERTED INTO OPENING (SEE TABLE BELOW) AND SECURED TO TOP OF FLOOR WITH THREE 1/4" DIAMETER BY 1" LONG WOOD SCREWS AND 1" STEEL WASHERS (INSTALLED IN A TRIANGULAR FASHION THROUGH HOLES PROVIDED).

FLOOR THICKNESS	CORE HOLE OR SLEEVE DIAMETER	PRODUCT DESCRIPTION	NOMINAL PIPE DIAMETER
NOMINAL 6-7/8"	4"	CFS-DID 2" MD	2" (OR SMALLER)+
NOMINAL 6-7/8"	5"	CFS-DID 3" MD	3"
NOMINAL 6-7/8"	6"	CFS-DID 4" MD	4"
NOMINAL 6-7/8"	9"	CFS-DID 6" MD	6"
6-7/8" TO 9-1/2"	4"	CFS-DID 2" C	2" (OR SMALLER)+
6-7/8" TO 9-1/2"	5"	CFS-DID 3" C	3"
6-7/8" TO 9-1/2"	6"	CFS-DID 4" C	4"
6-7/8" TO 9-1/2"	9"	CFS-DID 6" C	6"

+ FOR PIPE SMALLER THAN NOMINAL 2" DIAMETER, AN ADAPTER AND HILTI IPS OR CPS TOP SEAL PLUG MUST BE USED IN CONJUNCTION WITH THE CFS-DID 2" MD DEVICE.

NOTE : CLOSED OR VENTED PIPING SYSTEM (PVC = SCH 40; CPVC = SDR 13.5).



Hilti Firestop Systems

HILTI, Inc.
Plano, Texas USA (800) 879-8000

Sheet	2 of 2
Scale	-
Date	Sep. 23, 2022

Drawing No.

**FG
2001a**