

ENT THROUGH CONCRETE FLOOR/WALL OR BLOCK WALL ASSEMBLY

F-RATING = 3-HR.

FT-RATING = 2-3/4-HR.

FH-RATING = 3-HR.

FTH-RATING = 2-3/4-HR.

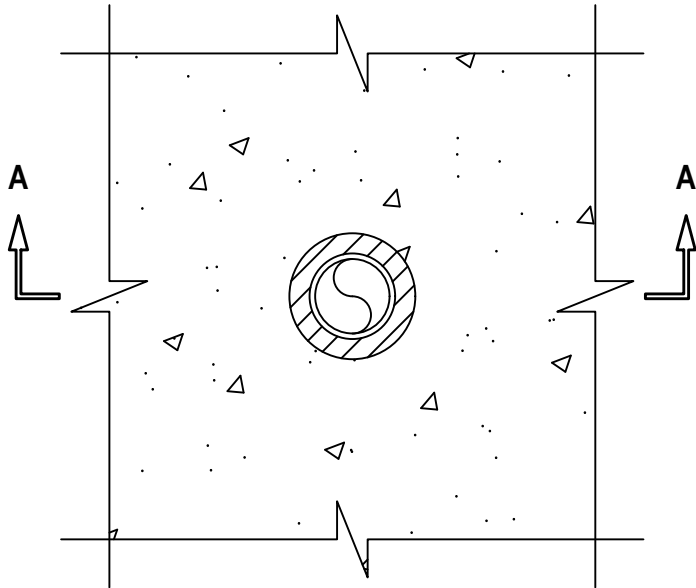
L-RATING AT AMBIENT = LESS THAN 5.1 L/S/M³

L-RATING AT 400°F = LESS THAN 5.1 L/S/M³

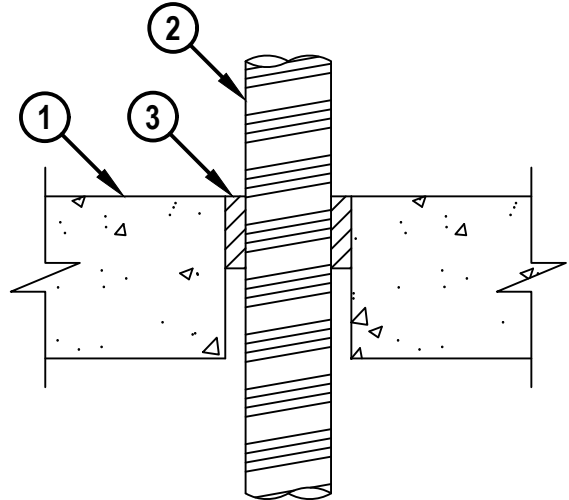
NOTE : TESTED WITH A 2.5 Pa PRESSURE DIFFERENTIAL

cUL CAJ2098a.112322

TOP VIEW



SECTION A-A



1. CONCRETE FLOOR OR WALL ASSEMBLY (3-HR. FIRE-RATING) :
 - A. LIGHTWEIGHT OR NORMAL WEIGHT CONCRETE FLOOR OR WALL (MINIMUM 4-1/2" THICK).
 - B. ANY UL CLASSIFIED CONCRETE BLOCK WALL.
2. MAXIMUM 2" NOMINAL DIAMETER ELECTRICAL NONMETALLIC TUBING (ENT).
3. MINIMUM 2" DEPTH HILTI FS-ONE MAX INTUMESCENT FIRESTOP SEALANT.
4. [OPTIONAL - NOT SHOWN] MINERAL WOOL (MIN. 4 PCF DENSITY) TIGHTLY PACKED AND RECESSED TO ACCOMMODATE SEALANT MAY BE USED AS A TEMPORARY BACKER FOR FIRESTOP SEALANT.

NOTES : 1. MAXIMUM WIDTH OF JOINT = 3-1/2".
 2. ANNULAR SPACE = NOMINAL 9/16".
 3. MINIMUM 2" DEPTH HILTI FS-ONE MAX INTUMESCENT FIRESTOP SEALANT IS REQUIRED ON BOTH SIDES OF A WALL ASSEMBLY.



HILTI, Inc.
 Plano, Texas USA (800) 879-8000

Sheet	1 of 1
Scale	3/16" = 1"
Date	Nov. 23, 2022

Drawing No.
cUL
CAJ2098a