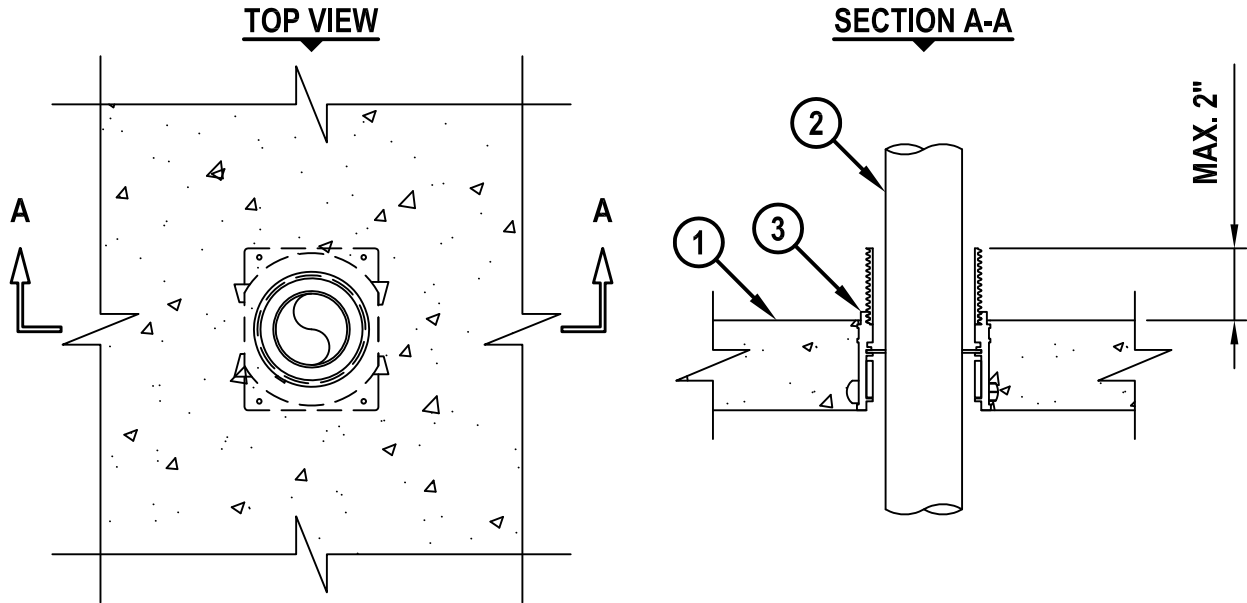


PLASTIC PIPE THROUGH CONCRETE FLOOR/CONCRETE OVER METAL DECKING

F-RATING = 2-HR. OR 3-HR.
 FT-RATING = 0-HR, 1-HR., OR 2-HR.
 FH-RATING = 0-HR. OR 2-HR.
 FTH-RATING = 0-HR. OR 1-HR.

NOTE : TESTED WITH A 50 Pa PRESSURE DIFFERENTIAL



cUL FA2013d.071815

1. CONCRETE FLOOR ASSEMBLY (2-HR. OR 3-HR. FIRE-RATING) :
 - A. LIGHTWEIGHT OR NORMAL WEIGHT CONCRETE FLOOR (MINIMUM 2-1/2" THICK).
 - B. STEEL FLOOR UNIT/FLOOR ASSEMBLY - LIGHTWEIGHT OR NORMAL WEIGHT CONCRETE FLOOR (MINIMUM 2-1/2" THICK) OVER METAL DECKING.
2. MAXIMUM 2" NOMINAL DIAMETER PEX TUBING (SDR 9) (CLOSED OR VENTED PIPING SYSTEM).
3. HILTI CP 680-P OR CP 680-PX CAST-IN FIRESTOP DEVICE, CAST OR GROUTED INTO CONCRETE FLOOR (SEE TABLE BELOW).

MINIMUM CONCRETE THICKNESS	PEX DIAMETER	PRODUCT DESCRIPTION	RATINGS, HR.			
			F	FH	FT	FTH
2-1/2"	2"	CP 680-P 2" OR CP 680-PX 2"	2	3	0 AND 1	1
4-1/2"	2"	CP 680-P 2" OR CP 680-PX 2"	3	0	0 AND 2	0
4-1/2"	LESS THAN 2"	CP 680-P 2" OR CP 680-PX 2"	3	0	0	0

NOTES : 1. FOR PEX TUBING LESS THAN 2" DIAMETER, MINIMUM 4" THICKNESS MINERAL WOOL SHALL BE TIGHTLY PACKED INTO HILTI CAST-IN FIRESTOP DEVICE, FLUSH WITH TOP SURFACE OF DEVICE.
 2. FOR CONCRETE FLOOR OVER METAL DECKING APPLICATIONS, A METAL DECK ADAPTER KIT IS REQUIRED.



HILTI, Inc.
 Plano, Texas USA (800) 879-8000

Sheet	1 of 1
Scale	3/16" = 1"
Date	July 18, 2015

Drawing No.
cUL
FA2013d