

**PLASTIC/METAL PIPE TRANSITION THROUGH CONCRETE FLOOR ASSEMBLY**

F, FT, FH, AND FTH-RATINGS = 2-HR.

L-RATING AT AMBIENT = LESS THAN 5 L/S/SQ METER

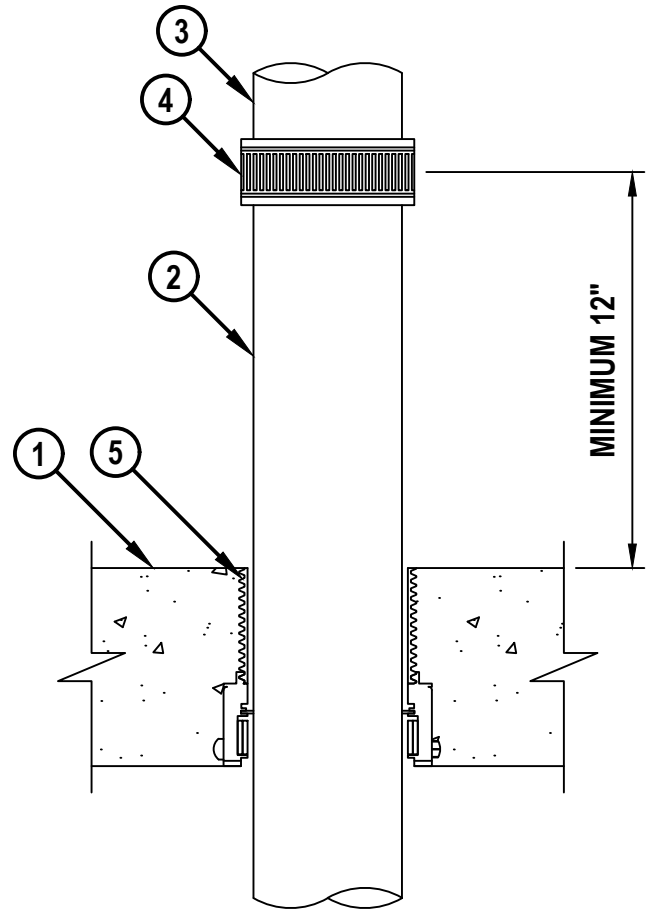
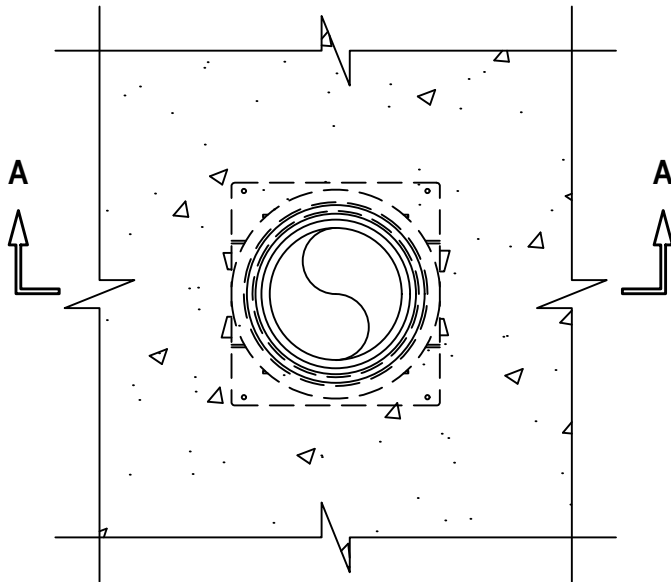
L-RATING AT 400°F = LESS THAN 5 L/S/SQ METER

NOTE : TESTED WITH A 50 Pa PRESSURE DIFFERENTIAL

cUL FB2009c.052621

**TOP VIEW**

**SECTION A-A**



1. LIGHTWEIGHT OR NORMAL WEIGHT CONCRETE FLOOR (MINIMUM 6" THICK) (2-HR. FIRE-RATING).
2. NON-METALLIC PIPE TO BE ANY OF THE FOLLOWING AND TO EXTEND MINIMUM 12" ABOVE TOP SURFACE OF FLOOR :
  - A. MAXIMUM 4" NOMINAL DIAMETER PVC PLASTIC PIPE (SCH 40) (CELLULAR OR SOLID CORE) (CLOSED OR VENTED PIPING SYSTEM).
  - B. MAXIMUM 4" NOMINAL DIAMETER CPVC (SDR 13.5) PLASTIC PIPE (CLOSED PIPING SYSTEM ONLY).
3. MAXIMUM 4" NOMINAL DIAMETER CAST OR DUCTILE IRON PIPE.
4. COMPRESSION TYPE COUPLING WITH ELASTOMERIC GASKET AND A STAINLESS STEEL JACKET WITH STAINLESS STEEL BAND CLAMPS USED TO SECURE METALLIC PIPE WITH NON-METALLIC PIPE.
5. HILTI CP 680-P [2", 3", OR 4"] OR CP 680-PX [2" OR 3"] CAST-IN FIRESTOP DEVICE, CAST OR GROUTED INTO CONCRETE FLOOR. SIZE OF DEVICE TO MATCH NOMINAL DIAMETER OF PIPE.



HILTI, Inc.  
Plano, Texas USA (800) 879-8000

Sheet	1 of 1
Scale	11/64" = 1"
Date	May 26, 2021

Drawing No.  
**cUL**  
**FB2009c**