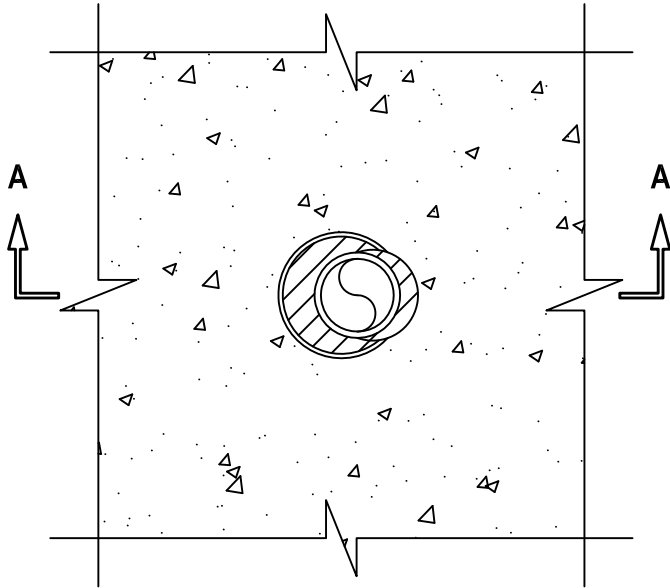


BLAZEMASTER® PIPE THROUGH CONCRETE FLOOR/WALL OR BLOCK WALL ASSEMBLY

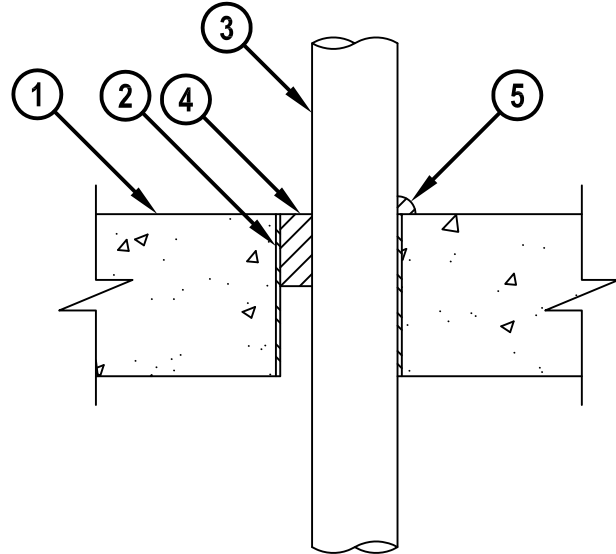
F-RATING = 1-HR. OR 2-HR.
FT, FH AND FTH-RATINGS = 0-HR.

cULCAJ2042b.011715

TOP VIEW



SECTION A-A



1. CONCRETE FLOOR OR WALL ASSEMBLY (1-HR. OR 2-HR. FIRE-RATING) :
 - A. LIGHTWEIGHT OR NORMAL WEIGHT CONCRETE FLOOR OR WALL (MINIMUM 4-1/2" THICK).
 - B. ANY UL/cUL CLASSIFIED CONCRETE BLOCK WALL.
2. [OPTIONAL] MAXIMUM 3" NOMINAL DIAMETER STEEL PIPE SLEEVE (SCHEDULE 10 OR HEAVIER) (SEE NOTE NO. 3 BELOW).
3. MAXIMUM 2" NOMINAL DIAMETER BLAZEMASTER® CPVC PIPE (SDR 13.5) (CLOSED PIPING SYSTEM ONLY).
4. MINIMUM 2" DEPTH HILTI FS-ONE MAX OR FS-ONE INTUMESCENT FIRESTOP SEALANT.
5. MINIMUM 1/2" BEAD HILTI FS-ONE MAX OR FS-ONE INTUMESCENT FIRESTOP SEALANT APPLIED AT POINT OF CONTACT.

NOTES : 1. MAXIMUM DIAMETER OF OPENING = 3".
 2. ANNULAR SPACE = MINIMUM 0", MAXIMUM 5/8".
 3. WHEN STEEL SLEEVE IS USED, THE F-RATING IS 1-HR., OTHERWISE, F-RATING IS 2-HR.
 4. MINIMUM 2" DEPTH HILTI FS-ONE MAX OR FS-ONE INTUMESCENT FIRESTOP SEALANT IS REQUIRED ON BOTH SIDES OF A WALL ASSEMBLY.

*BlazeMaster is a registered trademark of Noveon IP Holdings Corp.
 FGG/BM is a trademark of Noveon IP Holdings Corp.*



Hilti Firestop Systems

HILTI, Inc.
 Tulsa, Oklahoma USA (800) 879-8000

Sheet	1 of 1
Scale	3/16" = 1"
Date	Jan. 17, 2015

Drawing No.
cUL
CAJ2042b