



The following excerpt are pages from the [North American Product Technical Guide Volume 3: Modular Support Systems Technical Guide, Edition 1](#) .

Please refer to the publication in its entirety for complete details on this product including load values, approvals/listings, general suitability, finishes, quality, etc.

To consult directly with a team member regarding our modular support system products, contact Hilti's team of technical support specialists between the hours of 7:00am – 6:00pm CST.

US: 877-749-6337 or HNATechnicalServices@hilti.com

CA: 1-800-363-4458, ext. 6 or CATechnicalServices@hilti.com

3.0 MODULAR SUPPORT SYSTEM

3.2.1 MT CONNECTION MECHANISMS

MT-TL M10 + MT TLB

Description

Twist lock and bolt for channel connection system.

Approvals / Listings

City of Los Angeles	City of Los Angeles 2020 LABC LARR 26181
European Technical Assessment	ETA-21/1017

Material Specifications

F_y , ksi (MPa)	F_u , ksi (MPa)
92.82 (640)	116.03 (800)

Corrosion Protection

Electro-Galvanized (EG)

MT-TL M10

MT-TLB

MT-TLB 30

Hot-Dipped Galvanized (HDG)

MT-TL M10 OC

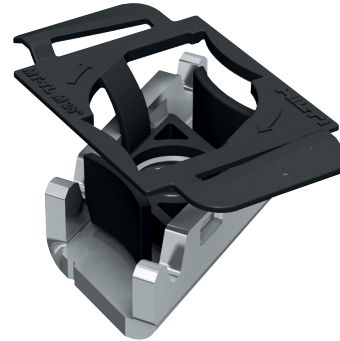
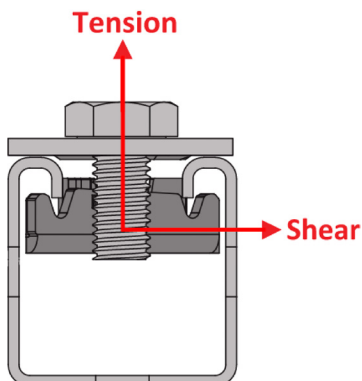
MT-TLB OC

MT-TLB 30 OC

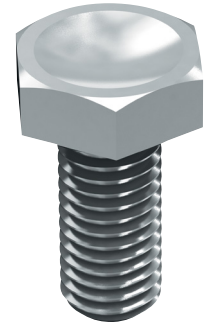
Ordering Information

Description	Weight Per Piece lbs (kg)	Quantity Piece(s)	Item No.
MT-TL M10	0.07 (0.03)	50	2272080
MT-TL M10 OC	0.07 (0.03)	50	2272082
MT-TLB	0.06 (0.03)	200	2273254
MT-TLB 30	0.06 (0.03)	200	2282190
MT-TLB OC	0.06 (0.03)	200	2273256
MT-TLB 30 OC	0.06 (0.03)	200	2282191

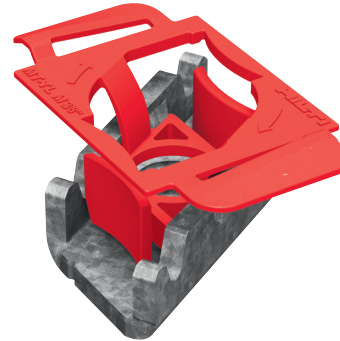
Figure 2 - MT-TL with MT-TLB Connection



MT-TL M10



MT-TLB / MT-TLB 30



MT-TL M10 OC



MT-TLB OC / MT-TLB 30 OC

Table 61 - Allowable Strength Design (ASD) Load Data^{1,2,3,4}

Description	Tension lb (kN)	Shear lb (kN)
MT-TL M10 OC	1,125 (5.00)	1,010 (4.50)

1. Minimum safety factor, Ω , for tabulated values is 2.65.
2. Multiply tabulated values by 1.5 to obtain minimum Load and Resistance Factor Design (LRFD) values.
3. Tabulated values in table are for MT-TL M10 with MT-TLB.
4. See Figure 2.

Table 62 - Limit State Design (LSD) Load Data^{1,2,3}



Description	Tension lb (kN)	Shear lb (kN)
MT-TL M10 OC	1,570 (6.96)	1,410 (6.26)

1. Maximum resistance factor, Φ , for tabulated values is 0.5.
2. Tabulated values in table are for MT-TL M10 with MT-TLB.
3. See Figure 2.