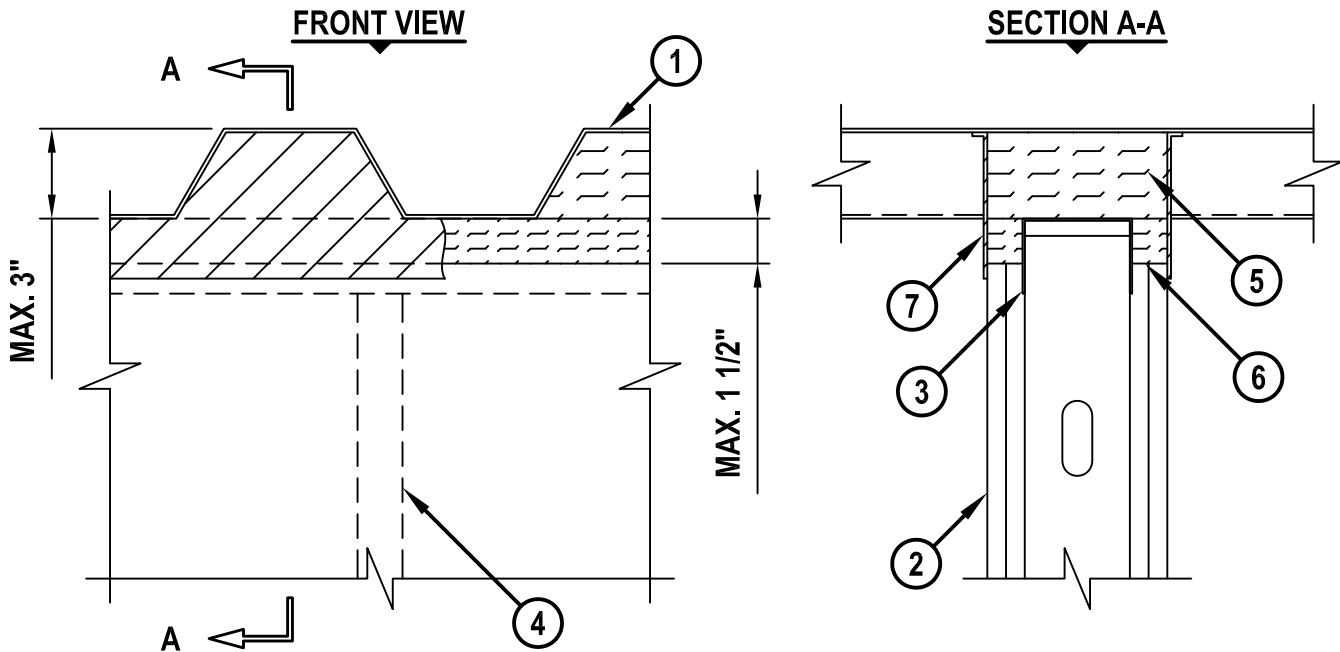


TOP OF WALL JOINT : GYPSUM WALL TO NON-RATED ROOF/FLOOR DECK

JOINT RATING = 2-HR.

CLASS II MOVEMENT CAPABILITIES - 50% COMPRESSION OR EXTENSION



CJD0004a.060712

1. NON-RATED HORIZONTAL ASSEMBLY CONSISTING OF THE FOLLOWING :
 - A. SUPPORTS [NOT SHOWN] - STRUCTURAL STEEL OR OTHER MEMBERS SUPPORTING THE STEEL DECK.
 - B. MAXIMUM 3" DEEP BY MINIMUM 20 GA. GALVANIZED STEEL DECK, FLUTED MAXIMUM 12" OC.
 - C. [OPTIONAL] STEEL DECK MAY BE TOPPED WITH REINFORCED CONCRETE.
2. GYPSUM WALL ASSEMBLY (UL/cUL CLASSIFIED U400, V400, OR W400 SERIES) (2-HR. FIRE-RATING).
3. CEILING RUNNER (MIN. 25 GA., FLANGE OF CEILING RUNNER SHALL BE MINIMUM 1/4" GREATER THAN MAXIMUM EXTENDED JOINT WIDTH) FASTENED TO UNDERSIDE OF DECK WITH STEEL FASTENERS OR WELDS SPACED MAXIMUM 24" OC.
4. STEEL STUDS (MINIMUM 3-1/2" WIDE) CUT 3/4" LESS IN LENGTH THAN ASSEMBLY HEIGHT, NESTING IN CEILING RUNNER WITHOUT ATTACHMENT.
5. HILTI CP 777 SPEED PLUGS FRICTION FITTED TO COMPLETELY FILL FLUTE, FLUSH WITH BOTH SIDES OF WALL (SEE NOTE NO. 2 BELOW).
6. HILTI CP 767 SPEED STRIPS COMPRESSED 50% AND INSERTED INTO JOINT, FLUSH WITH BOTH SIDES OF WALL (SEE NOTE NO. 2 BELOW).
7. MINIMUM 1/8" (WET) THICKNESS HILTI CFS-SP WB FIRESTOP JOINT SPRAY TO COMPLETELY COVER MINERAL WOOL AND TO OVERLAP MINIMUM 1/2" ONTO GYPSUM WALL AND METAL DECK ON BOTH SIDES OF WALL.

NOTES : 1. AS AN ALTERNATE TO CEILING RUNNER IN ITEM NO. 3, SLOTTED CEILING RUNNERS MAY BE USED. CONSULT THE UL FIRE RESISTANCE DIRECTORY FOR APPROVED MANUFACTURERS.
 2. AS AN ALTERNATE TO HILTI CP 767 SPEED STRIPS AND/OR CP 777 SPEED PLUGS, MINERAL WOOL SAFING (MIN. 4 PCF DENSITY) COMPRESSED 50% MAY BE USED.



HILTI, Inc.
 Tulsa, Oklahoma USA (800) 879-8000

Sheet	1 of 1
Scale	5/32" = 1"
Date	June 07, 2012

Drawing No.
**CJD
 0004a**