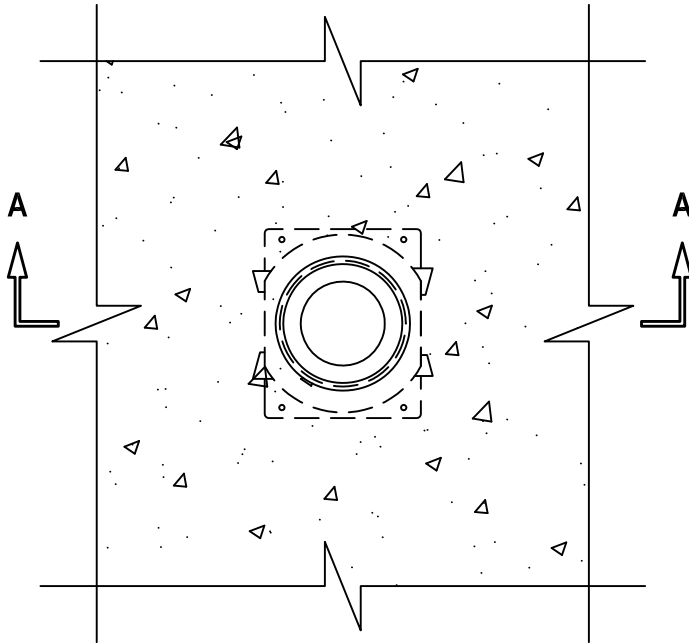


UL SYSTEM NO. F-A-3034

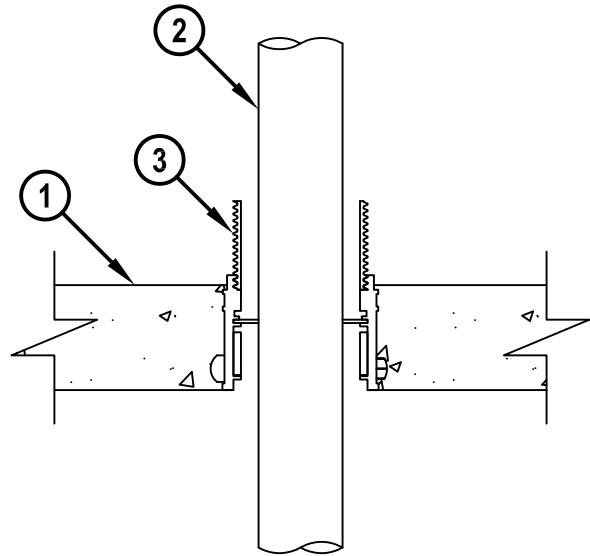
SINGLE TEK CABLE THROUGH CONCRETE FLOOR OR CONCRETE OVER METAL DECKING

F-RATING = 3-HR.
T-RATING = 1/2-HR.

TOP VIEW



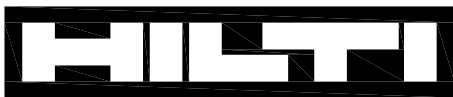
SECTION A-A



FA3034d.071415

1. CONCRETE FLOOR ASSEMBLY (3-HR. FIRE-RATING) :
 - A. LIGHTWEIGHT OR NORMAL WEIGHT CONCRETE FLOOR (MINIMUM 2-1/2" THICK).
 - B. STEEL FLOOR UNIT/FLOOR ASSEMBLY - LIGHTWEIGHT OR NORMAL WEIGHT CONCRETE FLOOR (MINIMUM 2-1/2" THICK) OVER METAL DECKING.
2. NOMINAL 4/C 500 KCMIL COPPER CONDUCTOR PVC JACKETED ALUMINUM OR STEEL CLAD TEK CABLE.
3. HILTI CP 680-M 2", CP 680-P 2", OR CP 680-PX 2" CAST-IN FIRESTOP DEVICE, CAST OR GROUTED INTO CONCRETE FLOOR.

**NOTE : FOR CONCRETE FLOOR OVER METAL DECKING APPLICATIONS,
A METAL DECK ADAPTER KIT IS REQUIRED.**



Hilti Firestop Systems

HILTI, Inc.
Tulsa, Oklahoma USA (800) 879-8000

Sheet	1 of 1
Scale	7/32" = 1"
Date	July 14, 2015

Drawing No.

**FA
3034d**

Saving Lives through Innovation and Education