

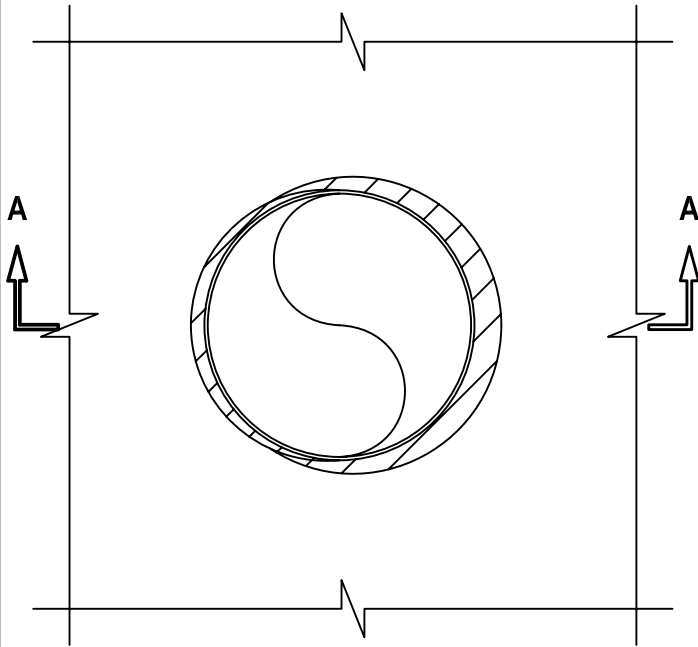
SHEET METAL DUCT THROUGH 1-HR. WOOD FLOOR ASSEMBLY

F-RATING = 1-HR.

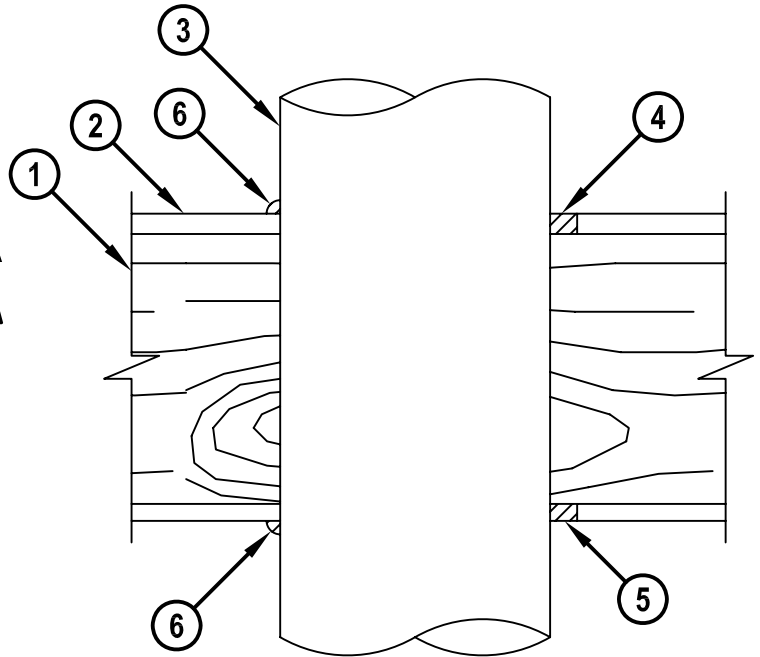
T-RATING = 0-HR.

FC7025b.050305

TOP VIEW



SECTION A-A



1. WOOD FLOOR ASSEMBLY (UL/cUL CLASSIFIED L500 SERIES) (1-HR. FIRE-RATING).
2. LUMBER OR PLYWOOD SUBFLOOR WITH FINISH FLOOR OF LUMBER, PLYWOOD, OR FLOOR TOPPING MIXTURE.
3. PENETRATING ITEM TO BE ONE OF THE FOLLOWING :
 - A. MAXIMUM 10" NOMINAL DIAMETER SHEET METAL DUCT (MIN. 28 GA.).
 - B. MAXIMUM 4" NOMINAL DIAMETER SHEET METAL DUCT (MIN. 30 GA.).
4. MINIMUM 3/4" DEPTH HILTI CP 606 FLEXIBLE FIRESTOP SEALANT.
5. MINIMUM 5/8" DEPTH HILTI CP 606 FLEXIBLE FIRESTOP SEALANT.
6. MINIMUM 1/2" BEAD HILTI CP 606 FLEXIBLE FIRESTOP SEALANT AT POINT OF CONTACT.

NOTES : 1. MAXIMUM DIAMETER OF OPENING = 11".
 2. ANNULAR SPACE = MINIMUM 0", MAXIMUM 1".
 3. CHASE WALL (NOT SHOWN, OPTIONAL). THE THROUGH PENETRANT, MAY BE ROUTED THROUGH A 1-HR. FIRE-RATED GYPSUM CHASE WALL.



HILTI, Inc.
 Tulsa, Oklahoma USA (918) 252-6000

Sheet	1 of 1
Scale	9/64" = 1"
Date	MAY 03, 2005

Drawing No.
FC 7025b