

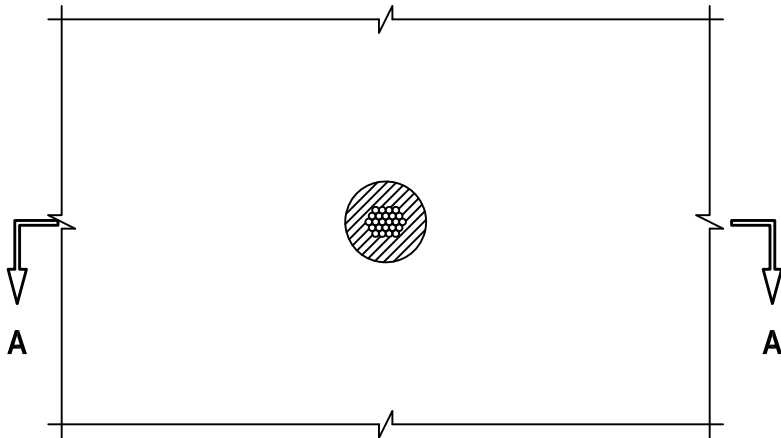
CABLE BUNDLE THROUGH CONCRETE FLOOR/CEILING ASSEMBLY

F-RATING = 1-HR.

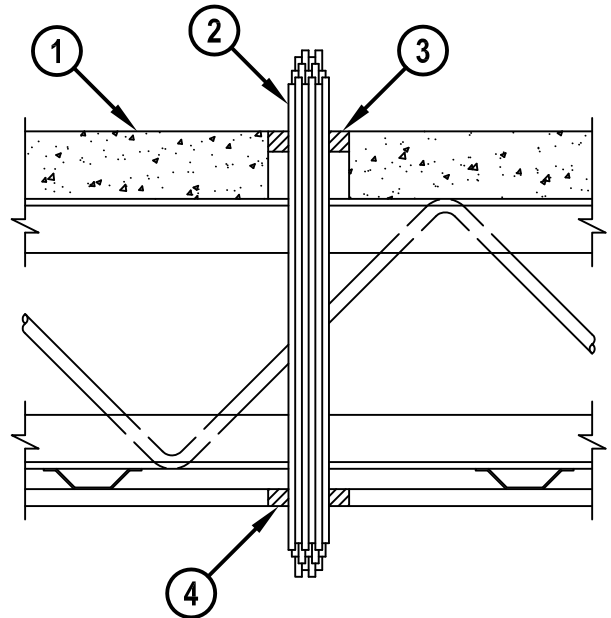
T-RATING = 1-HR.

FE3005d.010815

BOTTOM VIEW



SECTION A-A



1. CONCRETE AND STEEL JOIST FLOOR/CEILING ASSEMBLY (UL/cUL CLASSIFIED G500 SERIES) (1-HR. FIRE-RATING).
2. CABLE BUNDLE TO CONSIST OF ANY OF THE FOLLOWING :
 - A. RG 59 COAXIAL CABLE WITH PVC JACKET.
 - B. MAXIMUM 25 PAIR NO. 24 AWG TELEPHONE CABLE WITH PVC JACKET.
 - C. MAXIMUM 3/C NO. 10 AWG CABLE (ROMEX).
 - D. MAXIMUM 3/C (+ GROUND) 2/0 AWG SER CABLE (ALUMINUM OR COPPER).
 - E. MAXIMUM 3/C NO. 10 AWG METAL-CLAD CABLE (AFC CABLE SYSTEMS, INC.).
 - F. MAXIMUM 1/2" DIAMETER FIBER-OPTIC CABLE (24 FIBER).
3. MINIMUM 3/4" DEPTH HILTI FS-ONE MAX OR FS-ONE INTUMESCENT FIRESTOP SEALANT.
4. MINIMUM 5/8" DEPTH HILTI FS-ONE MAX OR FS-ONE INTUMESCENT FIRESTOP SEALANT.

NOTES : 1. MAXIMUM DIAMETER OF OPENING = 3".
 2. ANNULAR SPACE = NOMINAL 3/4".
 3. CABLE BUNDLE TO FILL MAXIMUM 25% OF CROSS-SECTIONAL AREA OF OPENING.
 4. APPLY HILTI FS-ONE MAX OR FS-ONE INTUMESCENT FIRESTOP SEALANT INTO INTERSTICES OF CABLES TO MAXIMUM EXTENT POSSIBLE.



HILTI, Inc.
 Tulsa, Oklahoma USA (800) 879-8000

Sheet	1 of 1
Scale	9/64" = 1"
Date	Jan. 08, 2015

Drawing No.
**FE
 3005d**