

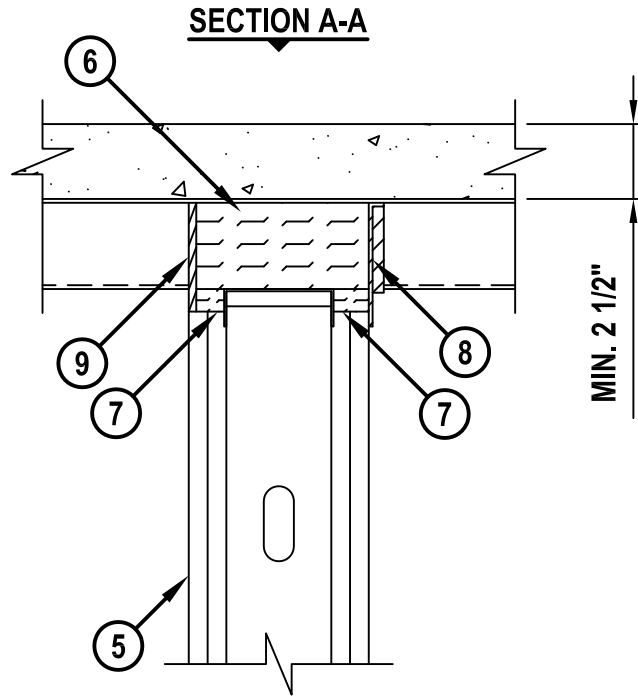
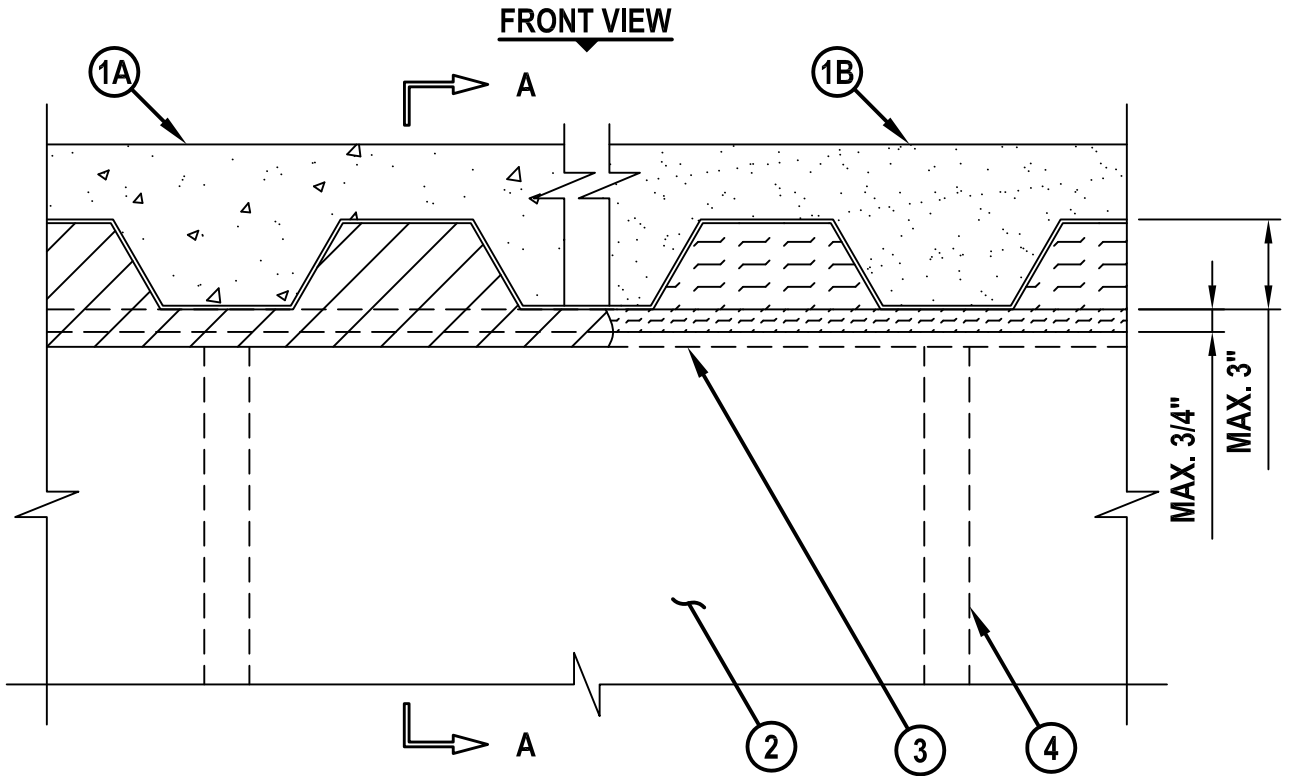
UL/cUL SYSTEM NO. HW-D-0545

**TOP OF WALL JOINT : GYPSUM WALL ASSEMBLY**

ASSEMBLY RATING = 1-HR. OR 2-HR.

CLASS II MOVEMENT CAPABILITIES - 17% COMPRESSION OR EXTENSION

HW-D-0545b.062909



HILTI, Inc.  
Tulsa, Oklahoma USA (800) 879-8000

Sheet	1 of 2
Scale	5/32" = 1"
Date	June 29, 2009

Drawing No.  
**HWD  
0545b**

*Saving Lives through Innovation and Education*

**TOP OF WALL JOINT : GYPSUM WALL ASSEMBLY**

ASSEMBLY RATING = 1-HR. OR 2-HR.

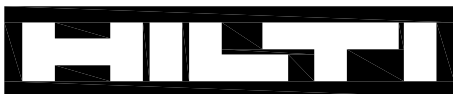
CLASS II MOVEMENT CAPABILITIES - 17% COMPRESSION OR EXTENSION

HWD0545b.062909

1. FLOOR OR ROOF ASSEMBLY (1-HR. OR 2-HR. FIRE-RATING) :
  - A. LIGHTWEIGHT OR NORMAL WEIGHT CONCRETE FLOOR (MIN. 2-1/2" THICK) OVER METAL DECKING.
  - B. INSULATING CONCRETE (MIN. 2-1/4" THICK) OVER METAL DECKING (UL/cUL CLASSIFIED P900 SERIES).
  - C. [NOT SHOWN] FLUTED STEEL ROOF DECK WITH SPRAY-APPLIED FIREPROOFING (UL/cUL CLASSIFIED P700 SERIES).
2. GYPSUM WALL ASSEMBLY (UL/cUL CLASSIFIED U400 OR V400 SERIES) (1-HR. OR 2-HR. FIRE-RATING).
3. CEILING RUNNER (MIN. 25 GA., WITH 1-1/4" FLANGES) FASTENED TO UNDERSIDE OF DECK (SEE NOTE NO. 3 BELOW).
4. STEEL STUDS (MIN. 2-1/2" WIDE), CUT 1/2" TO 3/4" LESS IN LENGTH THAN ASSEMBLY HEIGHT, NESTING IN CEILING RUNNER WITHOUT ATTACHMENT.
5. 5/8" OR 1-1/4" THICKNESS GYPSUM WALLBOARD AS SPECIFIED IN THE UL DESIGN. TOP ROW OF SCREWS SHALL BE INSTALLED INTO STUDS 3" BELOW BOTTOM PLANE OF FLOOR/ROOF.
6. HILTI CP 777 SPEED PLUGS FRICTION FITTED TO COMPLETELY FILL FLUTE FLUSH WITH ONE SIDE OF WALL ASSEMBLY AND RECESSED TO ACCOMMODATE SEALANT ON THE OPPOSITE SIDE (SEE NOTE NO. 4 BELOW).
7. MINERAL WOOL (MIN. 4 PCF DENSITY) COMPRESSED 50%, FLUSH WITH ONE SIDE OF WALL ASSEMBLY AND RECESSED TO ACCOMMODATE SEALANT ON THE OPPOSITE SIDE.
8. MINIMUM 1/8" (WET) THICKNESS HILTI CFS-SP WB FIRESTOP JOINT SPRAY OR HILTI CP 672 SPEED SPRAY TO COMPLETELY COVER MINERAL WOOL, OVERLAPPING MINIMUM 1/2" ONTO GYPSUM WALL AND METAL DECK (SEE NOTE NO. 2 BELOW).
9. MINIMUM 1/4" DEPTH HILTI CP 606 FLEXIBLE FIRESTOP SEALANT.

**NOTES :**

1. STEEL FLOOR UNITS MAY BE SPRAYED WITH A MIN. 5/16" THICKNESS TO MAX. 1-3/4" THICKNESS OF UL CLASSIFIED MONOKOTE TYPE MK-6/HY FIREPROOFING MANUFACTURED BY W.R. GRACE PRIOR TO INSTALLATION OF CEILING RUNNERS.
2. WHEN THE STEEL DECK IS COATED WITH FIREPROOFING, HILTI FIRESTOP SPRAY SHALL OVERLAP THE WALL A MINIMUM 1/2" AND OVERLAP THE FIREPROOFING A MINIMUM 2".
3. AS AN ALTERNATE TO CEILING RUNNER IN ITEM NO. 3, CEILING RUNNERS, MANUFACTURED BY BRADY CONSTRUCTION INNOVATIONS, INC., DBA SLIPTRACK SYSTEMS, INC., CEMCO, SCAFCO STEEL STUD MANUFACTURING CO., TOTAL STEEL SOLUTIONS, OR THE STEEL NETWORK, MAY BE USED. WHEN ALTERNATE CEILING TRACKS ARE USED, CONSULT THE UL FIRE RESISTANCE DIRECTORY FOR INSTALLATION INSTRUCTIONS.
4. AS AN ALTERNATE TO HILTI CP 777 SPEED PLUGS, MINERAL WOOL (MIN. 4 PCF DENSITY) COMPRESSED 20% MAY BE USED.



**Hilti Firestop Systems**

HILTI, Inc.  
Tulsa, Oklahoma USA (800) 879-8000

Sheet	2 of 2
Scale	-
Date	June 29, 2009

Drawing No.

**HWD  
0545b**