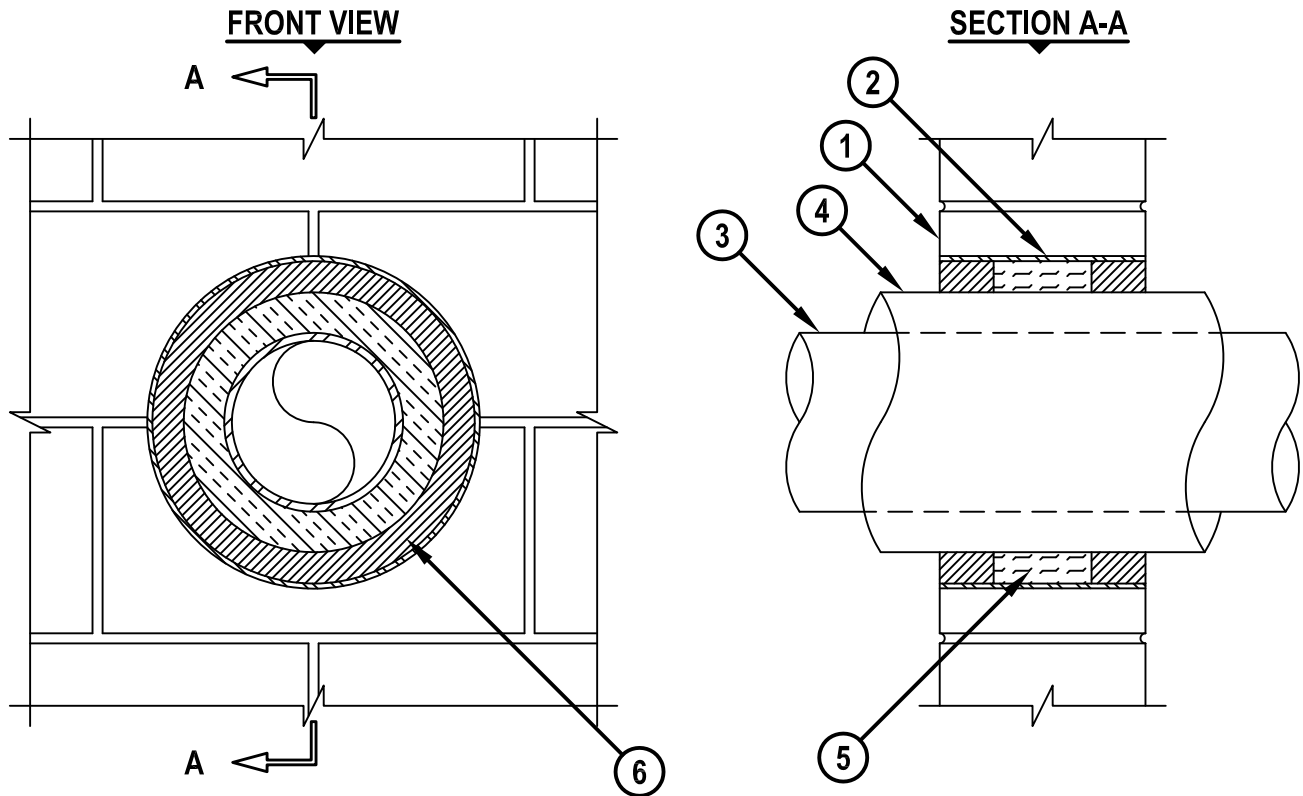


**INSULATED METAL PIPE THROUGH CONCRETE BLOCK WALL ASSEMBLY**

F-RATING = 4-HR.  
T-RATING = 1-1/2-HR.

WJ5028d.010915



1. ANY UL/cUL CLASSIFIED CONCRETE BLOCK WALL ASSEMBLY (MINIMUM 8" THICK) (4-HR. FIRE-RATING).
2. MAXIMUM 18-1/2" DIAMETER SHEET METAL SLEEVE (MINIMUM 20 GA. THICKNESS).
3. PENETRATING ITEM TO BE ONE OF THE FOLLOWING :
  - A. MAXIMUM 12" NOMINAL DIAMETER STEEL PIPE (SCHEDULE 10 OR HEAVIER).
  - B. MAXIMUM 6" NOMINAL DIAMETER COPPER PIPE OR COPPER TUBING.
4. NOMINAL 1-1/2" THICKNESS GLASS-FIBER PIPE INSULATION.
5. MINIMUM 3-5/8" THICKNESS MINERAL WOOL (MIN. 4 PCF DENSITY) TIGHTLY PACKED.
6. MINIMUM 2" DEPTH HILTI FS-ONE MAX OR FS-ONE INTUMESCENT FIRESTOP SEALANT INSTALLED FLUSH WITH EACH SURFACE OF WALL.

NOTES : 1. MAXIMUM DIAMETER OF OPENING = 18-1/2".  
2. ANNULAR SPACE = MINIMUM 1-1/4", MAXIMUM 1-1/2".



HILTI, Inc.  
Tulsa, Oklahoma USA (800) 879-8000

Sheet	1 of 1
Scale	9/64" = 1"
Date	Jan. 09, 2015

Drawing No.  
**WJ**  
**5028d**