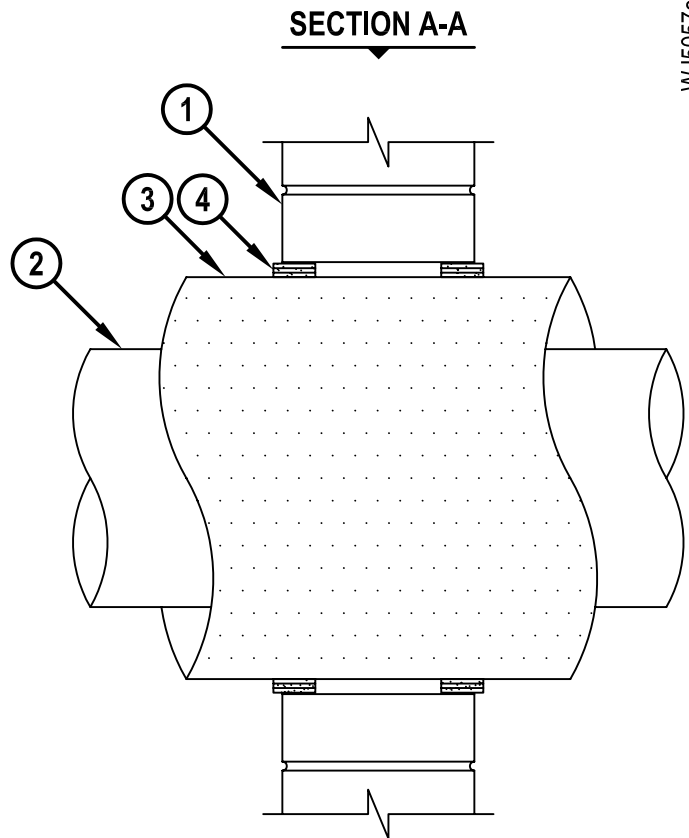
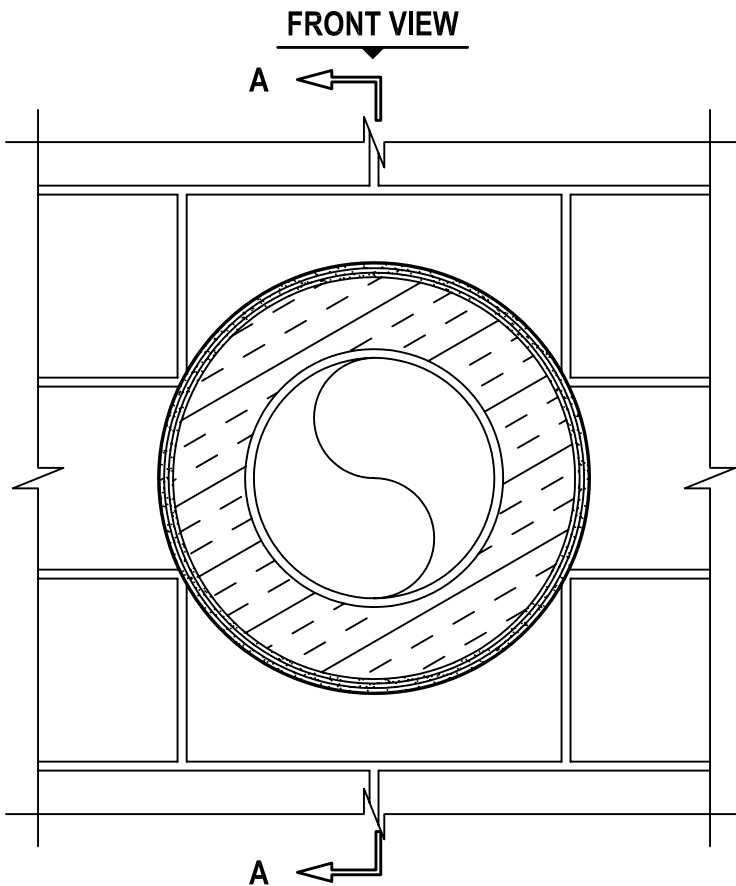


**INSULATED METAL PIPE THROUGH CONCRETE WALL OR BLOCK WALL ASSEMBLY**

F-RATING = 2-HR.

T-RATING = 0-HR. AND 1-HR.

WJ5057c.061505



1. CONCRETE WALL ASSEMBLY (2-HR. FIRE-RATING) :
  - A. LIGHTWEIGHT OR NORMAL WEIGHT CONCRETE WALL (MINIMUM 5" THICK).
  - B. ANY UL/cUL CLASSIFIED CONCRETE BLOCK WALL HAVING A MINIMUM FACE SHELL THICKNESS OF 1-1/4".
2. MAXIMUM 10" NOMINAL DIAMETER STEEL PIPE (SCHEDULE 10 OR HEAVIER).
3. MAXIMUM 3" THICK GLASS-FIBER PIPE INSULATION.
4. HILTI CP 648E WRAP STRIP (NOMINAL 3/16" THICK x 1-3/4" WIDE) CONTINUOUSLY WRAPPED AROUND THE OUTER CIRCUMFERENCE OF THE PIPE INSULATION, COVERING THREE TIMES, WITH ENDS BUTTED AND HELD IN PLACE WITH TAPE. WRAP STRIP TO BE SLID INTO ANNULAR SPACE, SUCH THAT 3/8" OF THE WRAP STRIP PROTRUDES FROM THE WALL SURFACE.

**NOTES :** 1. MAXIMUM DIAMETER OF OPENING = 18".  
 2. ANNULAR SPACE = MINIMUM 1/2", MAXIMUM 3/4".  
 3. WHEN PIPE INSULATION IS LESS THAN 3" THICK, T-RATING = 0-HR.



HILTI, Inc.  
 Tulsa, Oklahoma USA (918) 252-6000

Sheet	1 of 1
Scale	1/8" = 1"
Date	June 15, 2005

Drawing No.

**WJ  
5057c**