

UL SYSTEM NO. W-L-2840

PLASTIC PIPE THROUGH GYPSUM WALL ASSEMBLY

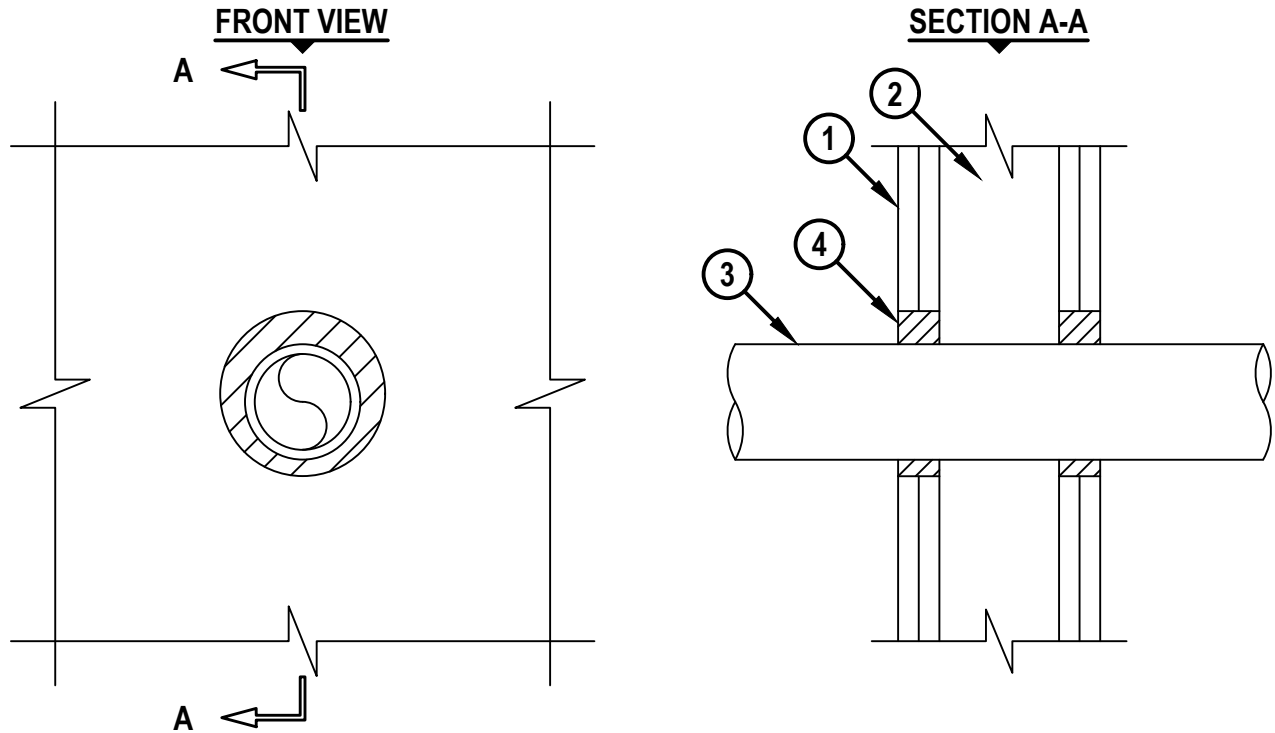
F-RATING = 1-HR. OR 2-HR.

T-RATING = 3/4-HR. OR 2-HR.

L-RATING AT AMBIENT = LESS THAN 1 CFM / SQ FT

L-RATING AT 400°F = 4 CFM / SQ FT

WL2840a.101822



1. GYPSUM WALL ASSEMBLY (UL CLASSIFIED U300, U400, V400, OR W400 SERIES) (1-HR. OR 2-HR. FIRE-RATING) (2-HR. SHOWN).
2. [NOT SHOWN] WOOD STUDS TO CONSIST OF NOMINAL 2" x 4" LUMBER. STEEL STUDS TO BE MINIMUM 3-5/8" WIDE.
3. MAXIMUM 3" NOMINAL DIAMETER CPVC PLASTIC PIPE (SCHEDULE 80 OR SDR 11) (CLOSED PIPING SYSTEM).
4. HILTI FS-ONE MAX INTUMESCENT FIRESTOP SEALANT :
 - A. MINIMUM 5/8" DEPTH OF SEALANT FOR 1-HR. FIRE-RATING.
 - B. MINIMUM 1-1/4" DEPTH OF SEALANT FOR 2-HR. FIRE-RATING.

NOTES : 1. MAXIMUM DIAMETER OF OPENING = 5".
2. ANNULAR SPACE = MINIMUM 1/2", MAXIMUM 1".

HILTI
Hilti Firestop Systems

HILTI, Inc.
Plano, Texas USA (800) 879-8000

Sheet	1 of 1
Scale	11/64" = 1"
Date	Oct. 18, 2022

Drawing No.

WL
2840a

Saving Lives through Innovation and Education