

PLASTIC PIPE AND TUB FITTINGS THROUGH CONCRETE FLOOR ASSEMBLY

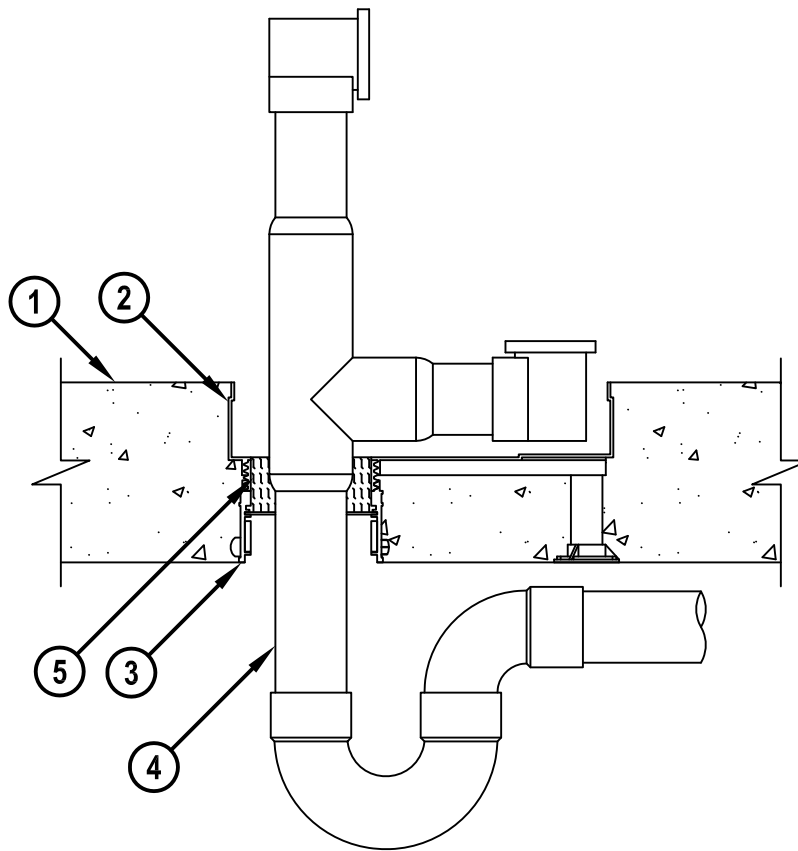
F-RATING = 2-HR.

FT-RATING = 3/4-HR. OR 2-HR.

FH AND FTH-RATINGS = 0-HR.

NOTE : TESTED WITH A 50 Pa PRESSURE DIFFERENTIAL

CROSS-SECTIONAL VIEW



cUL FA2219b.072115

1. LIGHTWEIGHT OR NORMAL WEIGHT CONCRETE FLOOR (MINIMUM 6" THICK) (2-HR. FIRE-RATING).
2. HILTI CP 681 TUB BOX KIT, CONSISTING OF 8-1/2" x 12" x 2" DEEP ABS TUB BOX WITH ADJUSTABLE LEGS, FASTENED TO FORM WORK AND PERMANENTLY EMBEDDED DURING CONCRETE PLACEMENT.
3. HILTI CP 680-P 3" OR CP 680-PX 3" CAST-IN FIRESTOP DEVICE SECURED TO BOTTOM OF TUB BOX.
4. NOMINAL 1-1/2" OR 2" DIAMETER PVC PLASTIC PIPE (SCH 40) CEMENTED TOGETHER AND SECURED TO WASTE OVERFLOW FITTINGS WITH A COMPRESSION COUPLING.
5. MINIMUM 2" THICKNESS MINERAL WOOL (MIN. 4 PCF DENSITY) TIGHTLY PACKED AROUND PIPE, FLUSH WITH TOP OF FIRESTOP DEVICE.

NOTES : 1. DRAIN PIPING AND P-TRAPS (ITEM NO. 4) SHOULD BE PROPERLY SUPPORTED AWAY FROM THE TUB BOX WITH SUITABLE HANGERS.
 2. WHEN NOMINAL 1-1/2" DIAMETER PVC IS USED, THE FT-RATING = 2-HR.
 WHEN NOMINAL 2" DIAMETER PVC IS USED, THE FT-RATING = 3/4-HR.



HILTI, Inc.
 Plano, Texas USA (800) 879-8000

Sheet	1 of 1
Scale	5/32" = 1"
Date	July 21, 2015

Drawing No.
cUL
FA2219b