

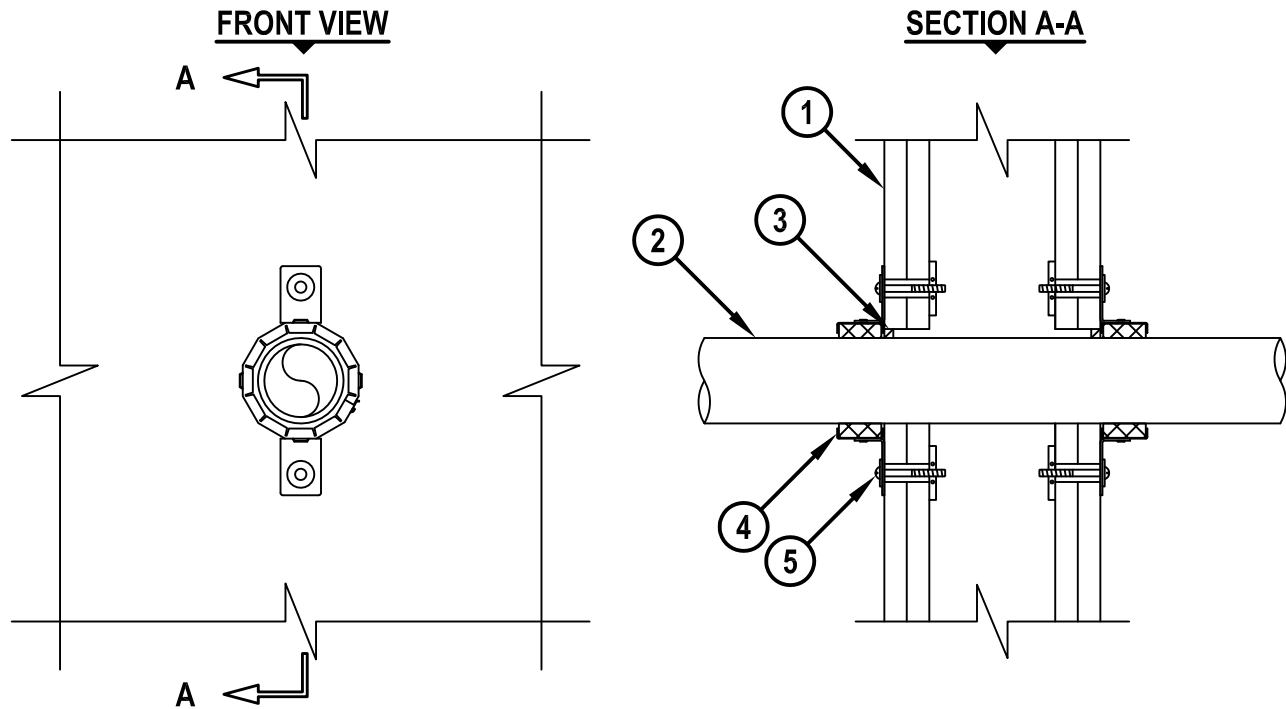
# PLASTIC PIPE THROUGH GYPSUM WALL ASSEMBLY

F-RATING = 1-HR. OR 2-HR.

FT AND FTH-RATINGS = 0-HR., 1/2-HR., OR 1-HR.

FH-RATING = 0-HR., 1-HR., OR 2-HR.

cUL WL2050b.011715



1. GYPSUM WALL ASSEMBLY (UL/cUL CLASSIFIED U300, U400 OR V400 SERIES) (1-HR. OR 2-HR. FIRE-RATING) (2-HR. SHOWN) TO INCLUDE THE FOLLOWING CONSTRUCTION FEATURES :
  - A. [NOT SHOWN] WOOD STUDS TO CONSIST OF NOMINAL 2" x 4" LUMBER (SPACED MAXIMUM 16" OC). STEEL STUDS TO BE MINIMUM 3-1/2" WIDE (SPACED MAXIMUM 24" OC).
  - B. NOMINAL 5/8" THICK GYPSUM WALLBOARD. TYPE, NUMBER OF LAYERS, AND SHEET ORIENTATION AS SPECIFIED IN THE INDIVIDUAL UL DESIGN.
2. PENETRATING ITEM TO BE ONE OF THE FOLLOWING (CLOSED PIPING SYSTEMS ONLY) :
  - A. MAXIMUM 2" NOMINAL DIAMETER POLYPROPYLENE (PP) SDR 11 PLASTIC PIPE.
  - B. MAXIMUM 110mm FUSIOTHERM® (SDR 7.4 W/ FASER) PP PLASTIC PIPE MANUFACTURED BY AQUATHERM, INC.
  - C. MAXIMUM 50mm FUSIOTHERM® (SDR 11) PP PLASTIC PIPE MANUFACTURED BY AQUATHERM, INC.
3. MINIMUM 1/4" DEPTH HILTI FS-ONE MAX OR FS-ONE INTUMESCENT FIRESTOP SEALANT FLUSH WITH BOTH SURFACES OF WALL.
4. HILTI CP 643N FIRESTOP COLLAR WITH FASTENING HOOKS.
5. SECURE EACH FASTENING HOOK TO WALL ASSEMBLY WITH HILTI 3/16" DIAMETER TOGGLER BOLTS AND WASHERS.

NOTES : 1. MAXIMUM DIAMETER OF OPENING = 5".  
 2. ANNULAR SPACE = MINIMUM 0", MAXIMUM 5/8".



HILTI, Inc.  
 Tulsa, Oklahoma USA (800) 879-8000

Sheet	1 of 1
Scale	3/16" = 1"
Date	Jan. 17, 2015

Drawing No.  
**cUL**  
**WL2050b**