



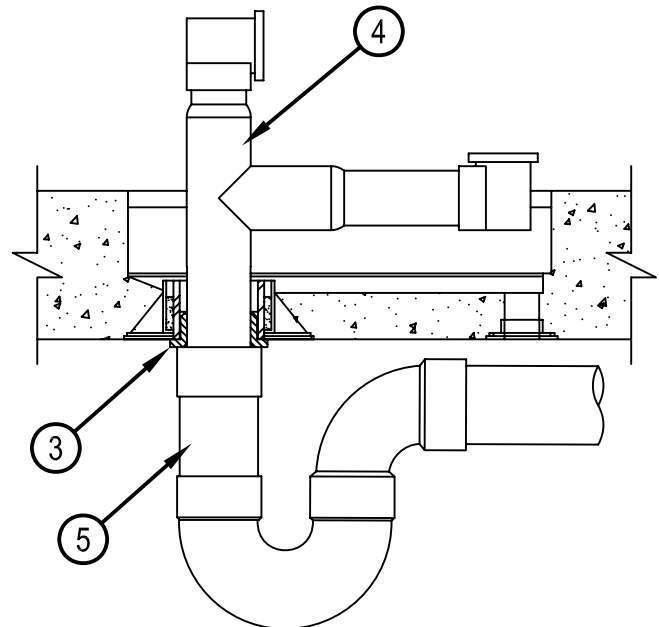
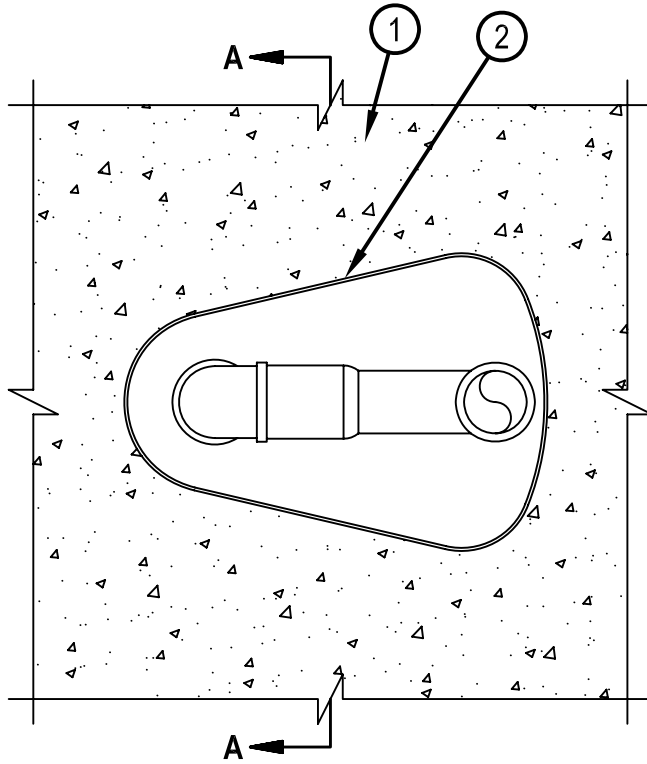
Classified by
Underwriters Laboratories, Inc.
to CAN/ULC-S115

System No. F-A-2006

F Rating -- 2 Hr
FT Rating -- 0 Hr
FH Rating -- 0 Hr
FTH Rating -- 0 Hr



FA 2006



SECTION A-A

System tested with a pressure differential of 50 Pa between the exposed and the unexposed surfaces with the higher pressure on the exposed side.

1. Floor Assembly -- Min 114 mm (4-1/2 in.) thick reinforced lightweight or normal weight 1600-2400 kg/cu m (100-150 pcf) concrete.
2. Firestop Device*- Tub Box -- Nom 216 by 305 by 51 mm (8-1/2 by 12 by 2 in.) deep acrylonitrile butadiene styrene (ABS) tub box with adjustable legs and intumescent coupling. Cast in place firestop device attached to form and permanently embedded during concrete placement or grouted in concrete assembly in accordance with accompanying installation instructions. Min concrete thickness of 51 mm (2 in.) shall be maintained below tub box.

HILTI CONSTRUCTION CHEMICALS, DIV OF HILTI INC -- CP 681 Tub Box Kit

3. Tub Box Seal -- Elastomeric tub box seal (supplied with tub box kit) sized to accommodate 38 mm (1-1/2 in.) PVC waste/overflow fitting. Seal seated from bottom within device coupling.
4. Waste/Overflow Fitting -- Nom 38 mm (1-1/2 in.) diam Schedule 40 or thin wall polyvinyl chloride (PVC) waste/overflow fitting installed through device coupling and seal.
5. Drain Piping -- Nom 51 mm (2 in.) diam Schedule 40 polyvinyl chloride (PVC) cemented together and secured to waste/overflow fitting with a compression coupling. Drain piping rigidly supported away from tub box with suitable hangers.
- 5A. Alternate Drain Piping -- (Optional - Not Shown) - Nom 51 mm (38) cast iron P trap secured to PVC waste/overflow fitting with a compression coupling. Drain piping rigidly supported away from tub box with suitable hangers.

*Bearing the UL Classification Mark



Hilti Firestop Systems

Reproduced by HILTI, Inc. Courtesy of
Underwriters Laboratories, Inc.
September 09, 2005