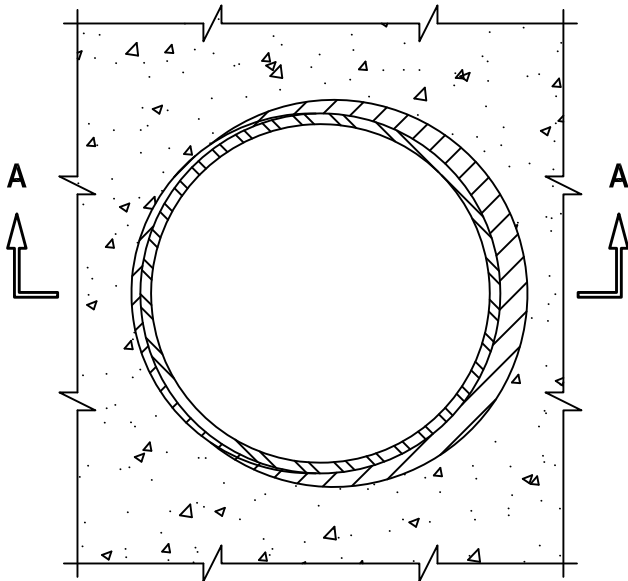


METAL PIPE THROUGH CONCRETE FLOOR/WALL OR BLOCK WALL ASSEMBLY

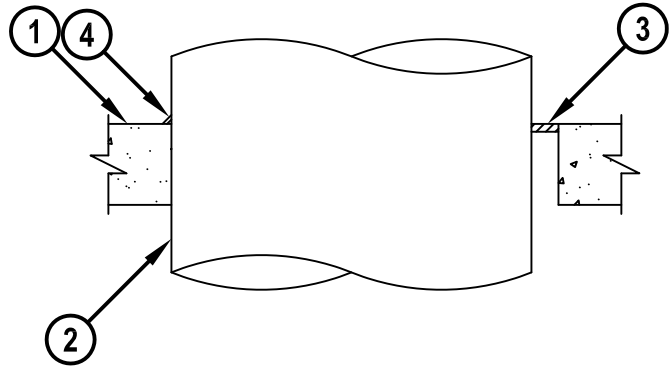
F-RATING = 3-HR.
T-RATING = 0-HR.

CAJ1278e.123014

TOP VIEW



SECTION A-A



1. CONCRETE FLOOR OR WALL ASSEMBLY (3-HR. FIRE-RATING) :
 - A. LIGHTWEIGHT OR NORMAL WEIGHT CONCRETE FLOOR OR WALL (MINIMUM 4-1/2" THICK).
 - B. ANY UL/cUL CLASSIFIED CONCRETE BLOCK WALL.
2. PENETRATING ITEM TO BE ONE OF THE FOLLOWING :
 - A. MAXIMUM 30" DIAMETER STEEL PIPE (SCHEDULE 10 OR HEAVIER).
 - B. MAXIMUM 6" NOMINAL DIAMETER COPPER PIPE.
 - C. MAXIMUM 6" NOMINAL DIAMETER STEEL CONDUIT.
 - D. MAXIMUM 4" NOMINAL DIAMETER EMT.
3. MINIMUM 1/2" DEPTH HILTI FS-ONE MAX OR FS-ONE INTUMESCENT FIRESTOP SEALANT.
4. MINIMUM 1/4" CROWN HILTI FS-ONE MAX OR FS-ONE INTUMESCENT FIRESTOP SEALANT APPLIED AT POINT OF CONTACT.

NOTES : 1. MAXIMUM DIAMETER OF OPENING = 30-7/8".
 2. ANNULAR SPACE = MINIMUM 0", MAXIMUM 7/8".
 3. MINIMUM 1/2" DEPTH HILTI FS-ONE MAX OR FS-ONE INTUMESCENT FIRESTOP SEALANT IS REQUIRED ON BOTH SIDES OF A WALL ASSEMBLY.



HILTI, Inc.
Tulsa, Oklahoma USA (800) 879-8000

Sheet	1 of 1
Scale	3/32" = 1"
Date	Dec. 30, 2014

Drawing No.
**CAJ
1278e**