



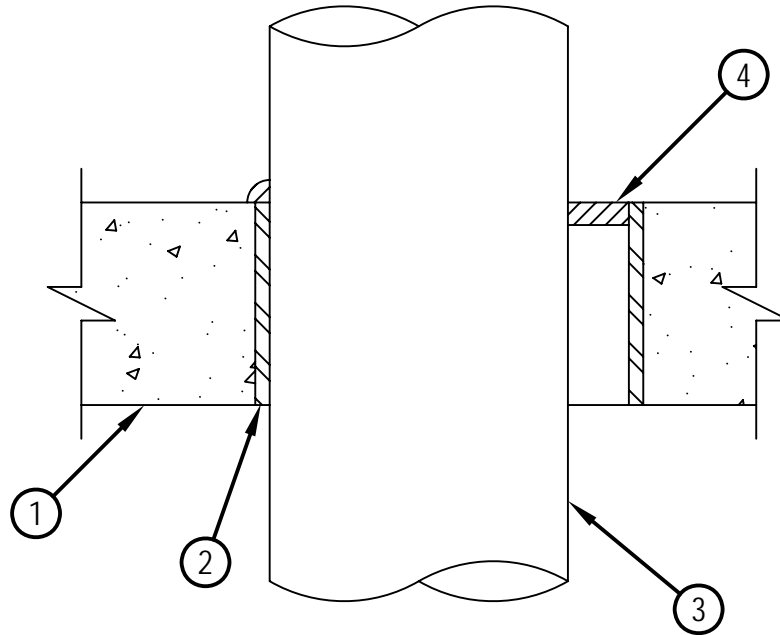
Classified by
Underwriters Laboratories, Inc.
to CAN/ULC-S115

System No. C-AJ-1022

F Rating — 2 Hr
FT Rating — 0 Hr
FH Rating — 0 Hr
FTH Rating — 0 Hr



CAJ 1022



1. Floor or Wall Assembly — Min 114 mm (4-1/2 in.) thick reinforced lightweight or normal weight (1600-2400 kg/m³ or 100-150 pcf) concrete. Wall may also be constructed of any UL Classified Concrete Blocks*. Max diameter of opening is 810 mm (31-7/8 in.)
See Concrete Blocks (CAZT) category in the Fire Resistance Directory for names of manufacturers.
2. Metallic Sleeve — (Optional) - Nom 813 mm (32 in.) diam (or smaller) Schedule 40 (or heavier) steel sleeve cast or grouted into floor or wall assembly, flush with floor or wall surfaces.
3. Through Penetrants — One metallic pipe, conduit or tubing to be installed concentrically or eccentrically within the firestop system. Pipe, conduit or tubing to be rigidly supported on both sides of floor assembly. The annular space between pipe conduit or tubing and the periphery of the opening shall be min 0 mm (point contact) to max 48 mm (1-7/8 in.). The following types of pipe, conduit or tubing may be used:
 - A. Steel Pipe — Nom 762 mm (30 in.) diam (or smaller) Schedule 10 (or heavier) steel pipe.
 - B. Iron Pipe — Nom 762 mm (30 in.) diam (or smaller) cast or ductile iron pipe.
 - C. Conduit — Nom 152 mm (6 in.) diam (or smaller) rigid steel conduit.
 - D. Conduit — Nom 102 mm (4 in.) diam (or smaller) steel electrical metallic conduit.
 - E. Copper Tubing — Nom 152 mm (6 in.) diam (or smaller) Type L (or heavier) copper tubing.
 - E. Copper Pipe — Nom 152 mm (6 in.) diam (or smaller) Regular (or heavier) copper pipe.
4. Fill, Void or Cavity Materials* — Sealant -Min 13 mm (1/2 in.) thickness of fill material applied within the annulus, flush with top surface of floor or both surfaces of wall. At point contact, a min 6 mm (1/4 in.) diameter bead of fill material shall be applied at the pipe/sleeve interface on the top surface of the floor or both surfaces of wall.
HILTI CONSTRUCTION CHEMICALS, DIV OF HILTI INC — CP 606 Flexible Firestop Sealant

*Bearing the UL Classification Mark



Hilti Firestop Systems

Reproduced by HILTI, Inc. Courtesy of
Underwriters Laboratories, Inc.

February 26, 2008