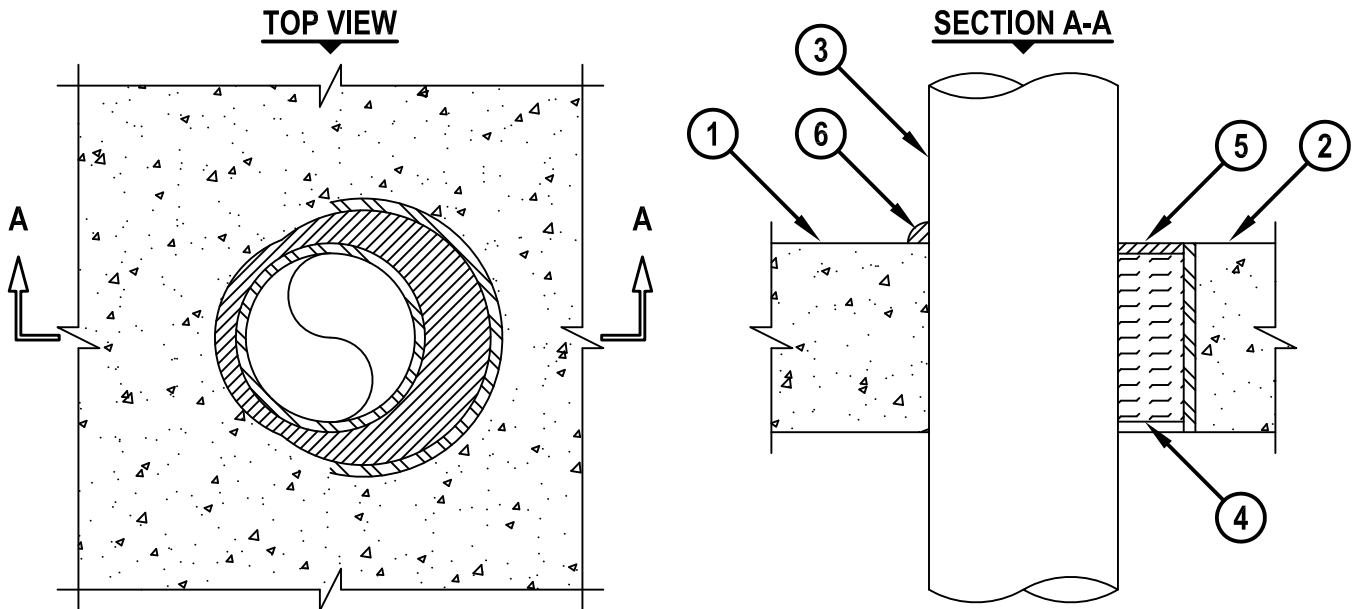


METAL PIPE THROUGH CONCRETE FLOOR/WALL OR BLOCK WALL

F-RATING = 3-HR.
 FT, FH AND FTH-RATING = 0-HR.



cULCAJ1011c.011715

1. CONCRETE FLOOR OR WALL ASSEMBLY (3-HR. FIRE-RATING) :
 - A. LIGHTWEIGHT OR NORMAL WEIGHT CONCRETE FLOOR OR WALL (MINIMUM 4-1/2" THICK).
 - B. ANY UL/cUL CLASSIFIED CONCRETE BLOCK WALL.
2. [OPTIONAL] MAXIMUM 6" NOMINAL DIAMETER STEEL PIPE SLEEVE (SCHEDULE 10 OR HEAVIER)
3. PENETRATING ITEM TO BE ONE OF THE FOLLOWING :
 - A. MAXIMUM 4" DIAMETER STEEL PIPE (SCHEDULE 10 OR HEAVIER).
 - B. MAXIMUM 4" DIAMETER CAST OR DUCTILE IRON PIPE.
 - C. MAXIMUM 4" NOMINAL DIAMETER COPPER PIPE.
 - D. MAXIMUM 4" NOMINAL DIAMETER STEEL CONDUIT OR EMT.
4. MINIMUM 4" THICKNESS MINERAL WOOL (MIN. 4 PCF DENSITY) TIGHTLY PACKED.
5. MINIMUM 1/4" DEPTH HILTI CP 604 SELF-LEVELING FIRESTOP SEALANT, HILTI FS-ONE MAX OR FS-ONE INTUMESCENT FIRESTOP SEALANT, HILTI CFS-S SIL GG FIRESTOP SILICONE SEALANT, OR HILTI CFS-S SIL SL FIRESTOP SILICONE SEALANT.
6. MINIMUM 1/4" BEAD HILTI FS-ONE MAX OR FS-ONE INTUMESCENT FIRESTOP SEALANT OR HILTI CFS-S SIL GG FIRESTOP SILICONE SEALANT APPLIED AT POINT OF CONTACT (*NOT REQUIRED WHEN HILTI CP 604 SELF-LEVELING FIRESTOP SEALANT OR HILTI CFS-S SIL SL FIRESTOP SILICONE SEALANT IS USED, ITEM 5*).

NOTES : 1. MAXIMUM DIAMETER OF OPENING = 6".
 2. ANNULAR SPACE = MINIMUM 0", MAXIMUM 5-3/8".
 3. MINIMUM 1/4" DEPTH HILTI FS-ONE MAX OR FS-ONE INTUMESCENT FIRESTOP SEALANT OR HILTI CFS-S SIL GG FIRESTOP SILICONE SEALANT IS REQUIRED ON EACH SIDE OF A WALL ASSEMBLY.



HILTI, Inc.
 Tulsa, Oklahoma USA (800) 879-8000

Sheet	1 of 1
Scale	7/32" = 1"
Date	Jan. 17, 2015

Drawing No.
cUL
CAJ1011c