

PLASTIC PIPE THROUGH WOOD FLOOR/CEILING ASSEMBLY

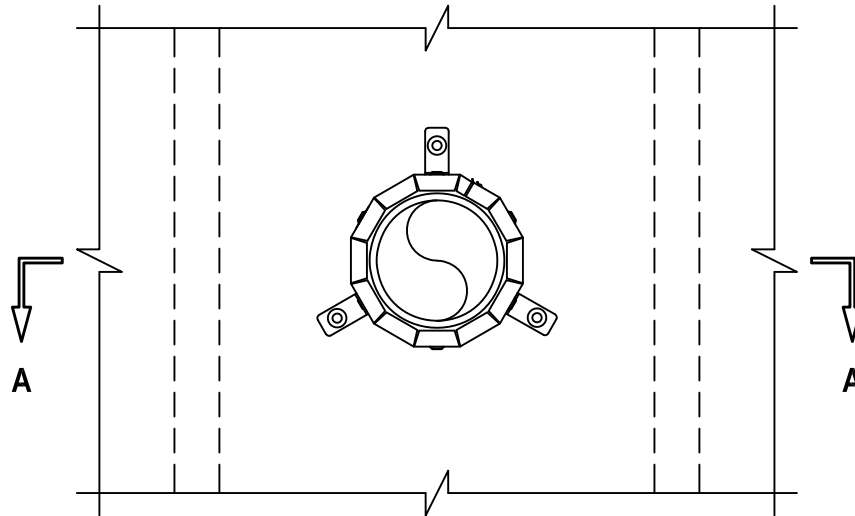
F AND FT-RATINGS = 1-HR.

FT AND FTH-RATINGS = 0-HR.

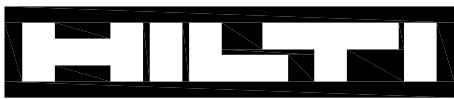
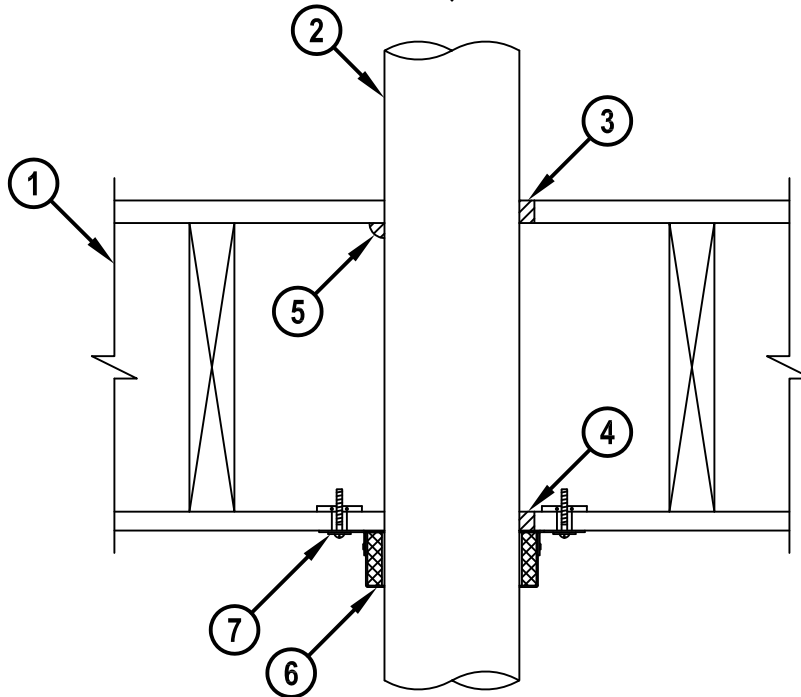
NOTE : TESTED WITH A 50 Pa PRESSURE DIFFERENTIAL

cUL FC2011h.101018

BOTTOM VIEW



SECTION A-A



Hilti Firestop Systems

HILTI, Inc.
Plano, Texas USA (800) 879-8000

Sheet 1 of 2

Scale 5/32" = 1"

Date Oct. 10, 2018

Drawing No.

**cUL
FC2011h**

Saving Lives through Innovation and Education

PLASTIC PIPE THROUGH WOOD FLOOR/CEILING ASSEMBLY

F AND FT-RATINGS = 1-HR.

FT AND FTH-RATINGS = 0-HR.

NOTE : TESTED WITH A 50 Pa PRESSURE DIFFERENTIAL

cUL FC2011h.101018

1. WOOD FLOOR/CEILING ASSEMBLY (UL/cUL CLASSIFIED L500 SERIES) (1-HR. FIRE-RATING).
2. PENETRATING ITEM TO BE ONE OF THE FOLLOWING (SEE NOTE NO. 3 BELOW) :
 - A. MAXIMUM 4" NOMINAL DIAMETER PVC PLASTIC PIPE (CELLULAR AND SOLID CORE).
 - B. MAXIMUM 4" NOMINAL DIAMETER ABS PLASTIC PIPE (CELLULAR AND SOLID CORE).
 - C. MAXIMUM 4" NOMINAL DIAMETER CPVC PLASTIC PIPE (SDR 13.5).
 - D. MAXIMUM 4" NOMINAL DIAMETER AQUARISE CPVC PLASTIC PIPE (SDR 11) MANUFACTURED BY IPEX, INC. (CLOSED PIPING SYSTEM ONLY).
 - E. MAXIMUM 4" NOMINAL DIAMETER XFR-PVC PLASTIC PIPE.
3. MINIMUM 3/4" DEPTH OF HILTI FS-ONE MAX INTUMESCENT FIRESTOP SEALANT OR HILTI CP 606 FLEXIBLE FIRESTOP SEALANT (SEE NOTES NO. 5 AND 6 BELOW).
4. MINIMUM 5/8" DEPTH HILTI FS-ONE MAX INTUMESCENT FIRESTOP SEALANT OR HILTI CP 606 FLEXIBLE FIRESTOP SEALANT (SEE NOTES NO. 5 AND 6 BELOW).
5. MINIMUM 1/2" BEAD OF HILTI FS-ONE MAX INTUMESCENT FIRESTOP SEALANT OR HILTI CP 606 FLEXIBLE FIRESTOP SEALANT AT POINT OF CONTACT (SEE NOTE NO. 5 BELOW).
6. HILTI CP 643N FIRESTOP COLLAR WITH FASTENING HOOKS.
7. ATTACH MOUNTING HOOKS TO CEILING ASSEMBLY WITH HILTI 3/16" TOGGLER BOLT AND WASHER, OR TO LOWER TOP PLATE WITH 1-1/2" LONG WOOD SCREWS AND WASHERS WHEN ROUTED WITHIN CHASE WALL.

NOTES :

1. MAXIMUM DIAMETER OF OPENING = 5".
2. ANNULAR SPACE = MINIMUM 0", MAXIMUM 1/2".
3. CLOSED OR VENTED PIPING SYSTEM (PVC, ABS, & XFR-PVC = SCHEDULE 40; CPVC = SDR 11 OR 13.5).
4. CHASE WALL [NOT SHOWN, OPTIONAL] - THE THROUGH PENETRANT MAY BE ROUTED THROUGH A RATED OR NON FIRE-RATED GYPSUM CHASE WALL.
5. WHEN XFR-PVC PIPING IS USED, HILTI FS-ONE MAX INTUMESCENT FIRESTOP SEALANT IS REQUIRED.
6. HILTI CP 606 FLEXIBLE FIRESTOP SEALANT IS NOT SUITABLE FOR USE WITH CPVC PIPE.



HILTI, Inc.
Plano, Texas USA (800) 879-8000

Sheet	2 of 2
Scale	-
Date	Oct. 10, 2018

Drawing No.
**cUL
FC2011h**