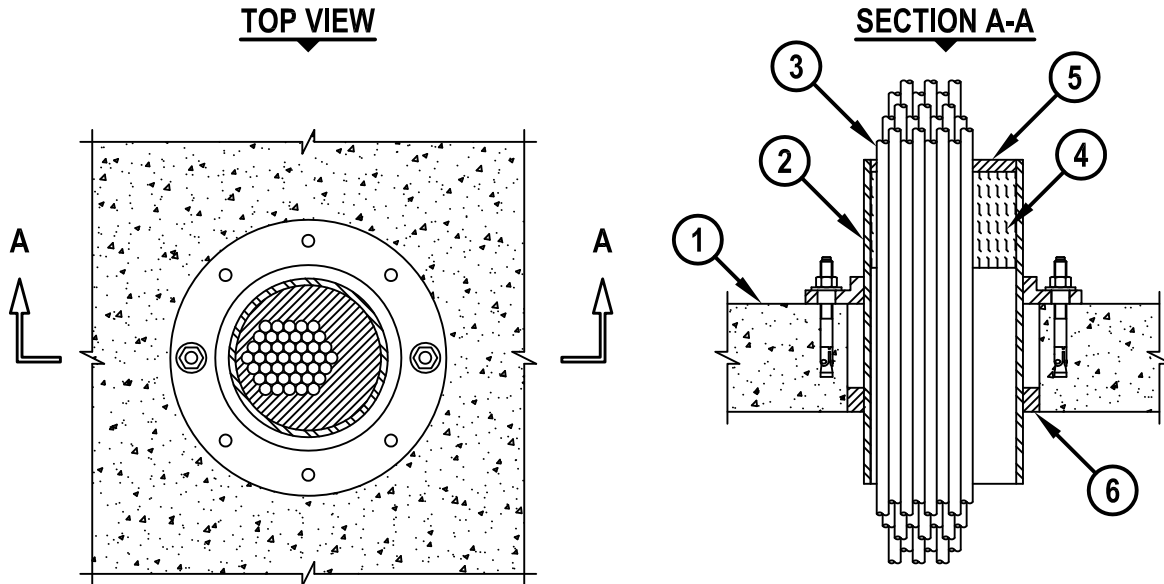


**CABLE BUNDLE THROUGH CONCRETE FLOOR/WALL OR BLOCK WALL**

F-RATING = 3-HR.  
T-RATING = 0-HR.

CAJ3209b.010615



1. CONCRETE FLOOR ASSEMBLY (3-HR. FIRE-RATING) :
  - A. LIGHTWEIGHT OR NORMAL WEIGHT CONCRETE FLOOR OR WALL (MINIMUM 4-1/2" THICK).
  - B. ANY UL/ULC CLASSIFIED CONCRETE BLOCK WALL.
2. MAXIMUM 6" NOMINAL DIAMETER STEEL PIPE SLEEVE (SCHEDULE 40 OR HEAVIER) WITH WELDED FLANGE (SIZED TO COMPLETELY COVER OPENING). STEEL SLEEVE BOLTED TO TOP SIDE OF FLOOR OR ONE SIDE OF WALL.
3. CABLE BUNDLE TO BE A COMBINATION OF ANY OF THE FOLLOWING :
  - A. MAXIMUM 300 PAIR NO. 24 AWG TELEPHONE CABLE WITH PVC JACKET.
  - B. MAXIMUM 500 KCMIL POWER CABLE WITH PVC JACKET.
  - C. MAXIMUM 7/C NO. 12 AWG POWER CABLE WITH PVC JACKET.
  - D. MAXIMUM 1/2" DIAMETER FIBER-OPTIC CABLE (24 FIBER).
  - E. MAXIMUM 3/C NO. 12 AWG METAL-CLAD CABLE.
  - F. MAXIMUM 3/C (+GROUND) 2/0 AWG COPPER CONDUCTOR SER CABLE WITH PVC JACKET.
  - G. MAXIMUM RG/U COAXIAL CABLE WITH FLUORINATED ETHYLENE JACKET.
4. MINIMUM 4" THICKNESS MINERAL WOOL (MIN. 4 PCF DENSITY) TIGHTLY PACKED.
5. MINIMUM 1/2" DEPTH HILTI FS-ONE MAX OR FS-ONE INTUMESCENT FIRESTOP SEALANT.
6. MINIMUM 1" DEPTH HILTI FS-ONE MAX OR FS-ONE INTUMESCENT FIRESTOP SEALANT.

**NOTES :**

1. MAXIMUM DIAMETER OF OPENING = 8".
2. ANNULAR SPACE BETWEEN SLEEVE AND PERIPHERY OF OPENING = MINIMUM 1/4", MAXIMUM 1-1/8". ANNULAR SPACE BETWEEN CABLES AND SLEEVE = MINIMUM 1/4", MAXIMUM 1-3/4".
3. CABLES TO FILL MAXIMUM 45% OF CROSS-SECTIONAL AREA OF OPENING.
4. MINIMUM 1/2" DEPTH HILTI FS-ONE MAX OR FS-ONE INTUMESCENT FIRESTOP SEALANT IS REQUIRED, FLUSH WITH BOTH ENDS OF STEEL SLEEVE FOR A WALL ASSEMBLY.



HILTI, Inc.  
Tulsa, Oklahoma USA (800) 879-8000

Sheet	1 of 1
Scale	1/8" = 1"
Date	Jan. 06, 2015

Drawing No.

**CAJ  
3209b**