

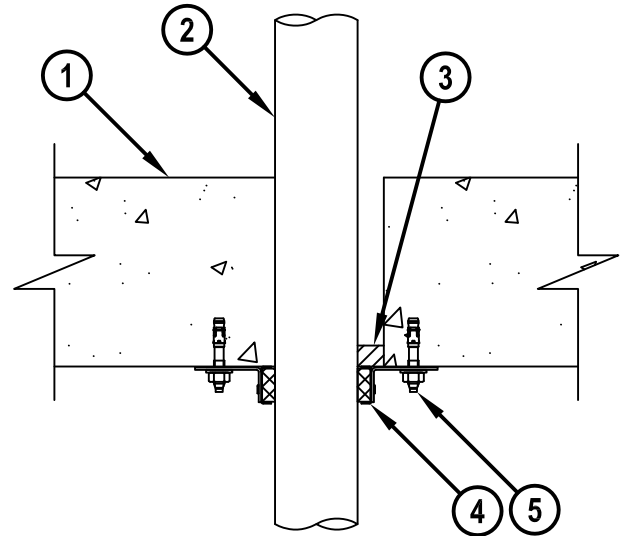
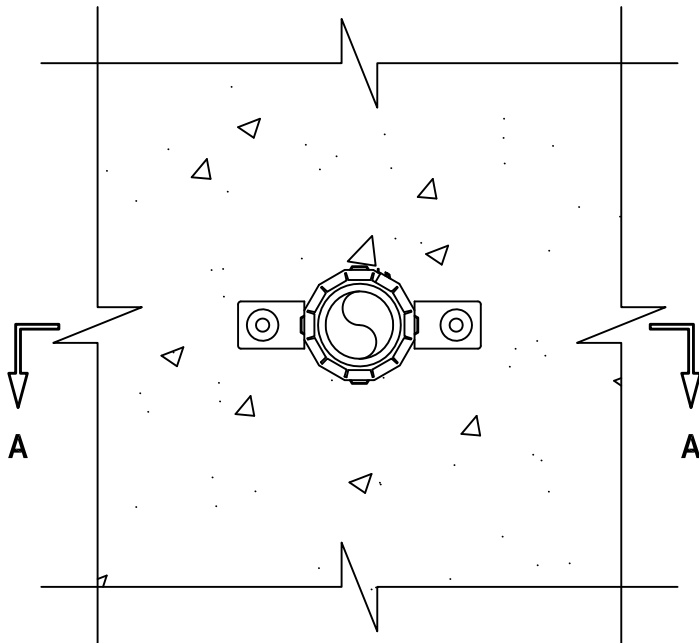
# PLASTIC PIPE THROUGH CONCRETE FLOOR/WALL OR BLOCK WALL ASSEMBLY

F, FT, FH, AND FTH-RATINGS = 2-HR.

cUL CAJ2066c.011615

**BOTTOM VIEW**

**SECTION A-A**



1. CONCRETE FLOOR OR WALL ASSEMBLY (2-HR. FIRE-RATING) :
  - A. LIGHTWEIGHT OR NORMAL WEIGHT CONCRETE FLOOR (MINIMUM 4-1/2" THICK).
  - B. LIGHTWEIGHT OR NORMAL WEIGHT CONCRETE WALL (MINIMUM 5" THICK).
  - C. PRECAST (HOLLOW-CORE) CONCRETE FLOOR (MINIMUM 6" THICK).
  - D. ANY UL/cUL CLASSIFIED CONCRETE BLOCK WALL.
2. MAXIMUM 50mm FUSIOTHERM® (SDR 11) PP PLASTIC PIPE MANUFACTURED BY AQUATHERM, INC. (CLOSED PIPING SYSTEM ONLY).
3. MINIMUM 1/2" DEPTH HILTI FS-ONE MAX OR FS-ONE INTUMESCENT FIRESTOP SEALANT.
4. HILTI CP 643N FIRESTOP COLLAR WITH FASTENING HOOKS.
5. EACH FASTENING HOOK SECURED TO BOTTOM OF FLOOR WITH 1/4" x 1-1/4" LONG STEEL EXPANSION BOLTS, 1/4" x 1-1/4" HILTI KWIK-CON II+ CONCRETE SCREW ANCHOR, OR 1/4" x 1-3/4" HILTI KWIK-BOLT 3 STEEL EXPANSION ANCHOR.

**NOTES :** 1. MAXIMUM DIAMETER OF OPENING = 2-3/8".  
 2. ANNULAR SPACE = MINIMUM 0", MAXIMUM 5/8".  
 3. HILTI CP 643N FIRESTOP COLLAR AND HILTI FS-ONE MAX OR FS-ONE INTUMESCENT FIRESTOP SEALANT IS REQUIRED ON BOTH SIDES OF A WALL.



HILTI, Inc.  
 Tulsa, Oklahoma USA (800) 879-8000

Sheet	1 of 1
Scale	7/32" = 1"
Date	Jan. 16, 2015

Drawing No.  
**cUL**  
**CAJ2066c**