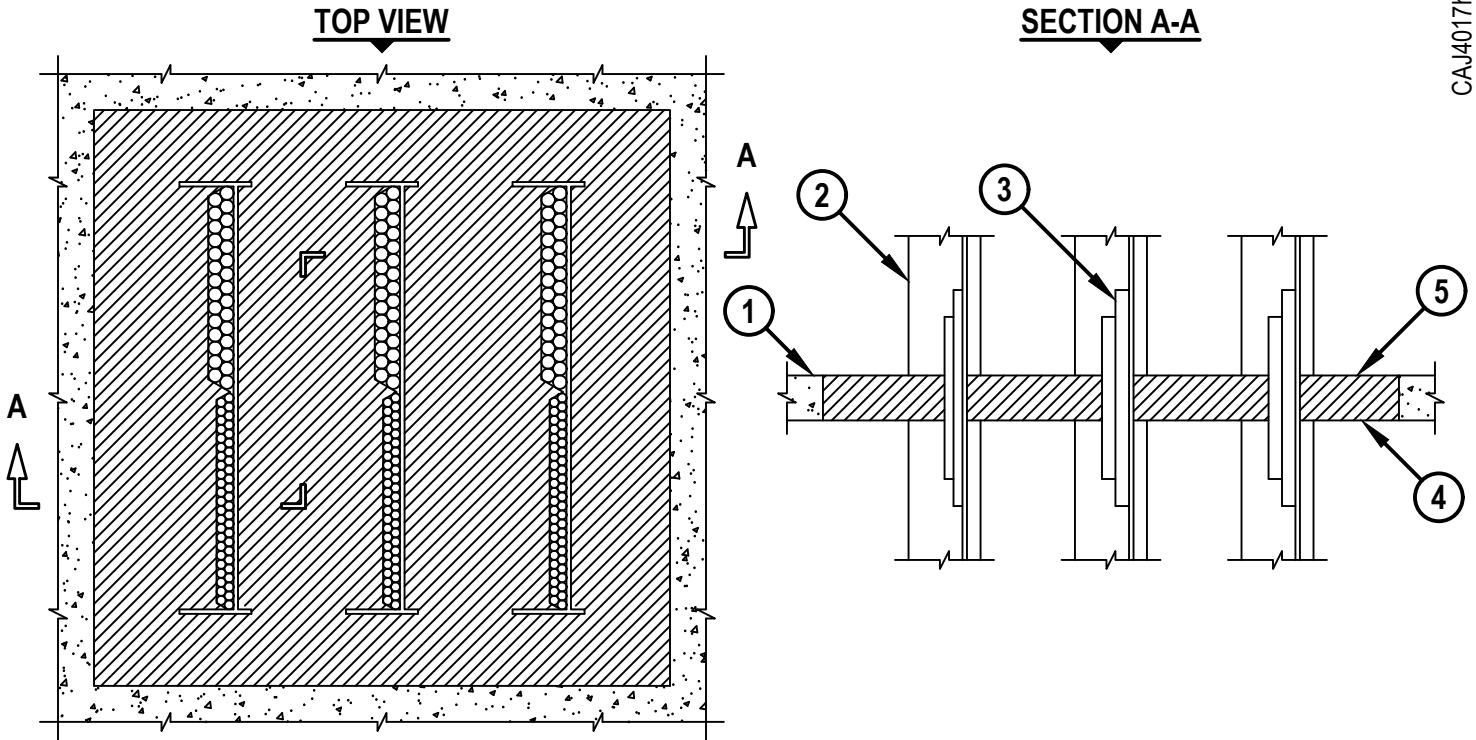


CABLE TRAYS THROUGH CONCRETE FLOOR/WALL OR BLOCK WALL

F-RATING = 3-HR.
T-RATING = 0-HR.

CAJ4017h.052424



1. CONCRETE FLOOR OR WALL ASSEMBLY (3-HR. FIRE-RATING) :
 - A. LIGHTWEIGHT OR NORMAL WEIGHT CONCRETE FLOOR OR WALL (MIN. 2-1/2" THICK).
 - B. ANY UL/cUL CLASSIFIED CONCRETE BLOCK WALL.
2. MAXIMUM 24" x 4" STEEL OR ALUMINUM OPEN LADDER CABLE TRAYS. (ONLY ONE MAY BE ALUMINUM) (SEE NOTE NO. 3 BELOW).
3. CABLES TO BE A COMBINATION OF ANY OF THE FOLLOWING :
 - A. MAXIMUM 350 KCMIL SINGLE CONDUCTOR POWER CABLE.
 - B. MAXIMUM 7/C NO. 12 AWG COPPER CONDUCTOR CABLE.
 - C. MAXIMUM 100 PAIR NO. 24 AWG TELEPHONE CABLE.
4. MINIMUM 2-1/2" DEPTH HILTI CP 637 FIRESTOP MORTAR.
5. FORMING NOT SHOWN. USE A RIGID BOARD MATERIAL TO SUPPORT HILTI CP 637 FIRESTOP MORTAR DURING ITS INITIAL CURE (24 HOURS).

NOTES : 1. CABLE TRAYS SPACED A MIN. 5-1/4" APART AND A MIN. 1" FROM THE PERIPHERY OF THE OPENING.
 2. MAX. AREA OF OPENING IS 1024 SQ. IN. WITH A MAX. DIMENSION OF 32".
 3. CABLE TRAY TO BE ONE OF THE FOLLOWING :
 A. FOR A STEEL CABLE TRAY, MAX. AREA OF CABLES SHALL BE 30% OF THE CROSS-SECTIONAL AREA OF THE CABLE TRAY (MAX. 3" CABLE LOADING DEPTH IN TRAY).
 B. FOR AN ALUMINUM CABLE TRAY, MAX. AREA OF CABLES SHALL BE 20% OF THE CROSS-SECTIONAL AREA OF THE CABLE TRAY.



HILTI, Inc.
Plano, Texas USA (800) 879-8000

Sheet	1 of 1
Scale	3/32" = 1"
Date	May 24, 2024

Drawing No.
**CAJ
4017h**