

# PLASTIC PIPE THROUGH WOOD FLOOR/CEILING ASSEMBLY

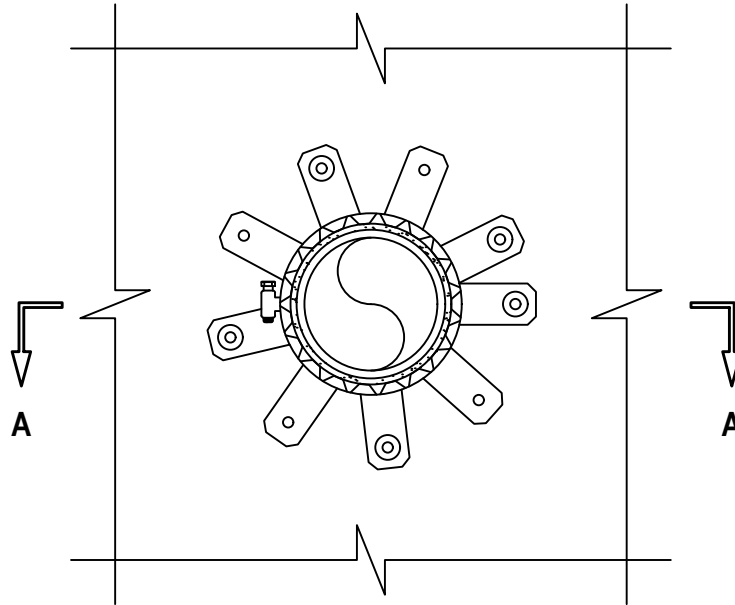
F AND FH-RATINGS = 1-HR.

FT AND FTH-RATINGS = 3/4-HR. OR 1-HR.

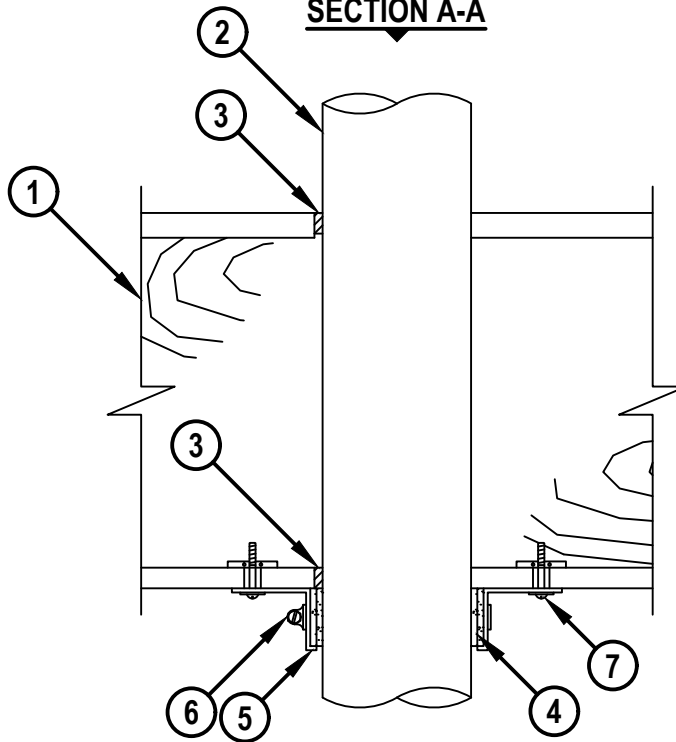
NOTE : TESTED WITH A 50 Pa PRESSURE DIFFERENTIAL

cUL FC2007h.080219

## BOTTOM VIEW



## SECTION A-A



HILTI, Inc.  
Plano, Texas USA (800) 879-8000

Sheet	1 of 2
Scale	1 1/64" = 1"
Date	Aug. 02, 2019

Drawing No.  
**cUL**  
**FC2007h**

# PLASTIC PIPE THROUGH WOOD FLOOR/CEILING ASSEMBLY

F AND FH-RATINGS = 1-HR.

FT AND FTH-RATINGS = 3/4-HR. OR 1-HR.

NOTE : TESTED WITH A 50 Pa PRESSURE DIFFERENTIAL

cUL FC2007h.080219

1. WOOD FLOOR/CEILING ASSEMBLY (UL/cUL CLASSIFIED L500 SERIES) (1-HR. FIRE-RATING).
2. PENETRATING ITEM TO BE ONE OF THE FOLLOWING (ALSO SEE NOTE NO. 2 BELOW) :
  - A. MAXIMUM 4" NOMINAL DIAMETER PVC PLASTIC PIPE (CELLULAR AND SOLID CORE).
  - B. MAXIMUM 4" NOMINAL DIAMETER CPVC PLASTIC PIPE (SDR 11 OR SDR 13.5) (CLOSED PIPING SYSTEM ONLY).
  - C. MAXIMUM 4" NOMINAL DIAMETER AQUARISE CPVC PLASTIC PIPE (SDR 11) MANUFACTURED BY IPEX, INC. (CLOSED PIPING SYSTEM ONLY).
3. MINIMUM 5/8" DEPTH HILTI FS-ONE MAX OR FS-ONE INTUMESCENT FIRESTOP SEALANT.
4. HILTI CP 648E WRAP STRIP CONTINUOUSLY WRAPPED AROUND THE OUTER CIRCUMFERENCE OF THE PIPE (SIZE OF WRAP STRIP AND NUMBER OF LAYERS ARE SHOWN IN THE TABLE BELOW) WITH ENDS BUTTED AND HELD IN PLACE WITH TAPE. WRAP STRIP TO BE BUTTED TIGHTLY AGAINST BOTTOM SURFACE OF GYPSUM CEILING.
5. HILTI RETAINING COLLAR (SIZED TO MATCH WRAP STRIP) WRAPPED OVER THE WRAP STRIPS, OVERLAPPING MINIMUM 1".
6. NOMINAL 1/2" WIDE STAINLESS STEEL HOSE CLAMP(S) SECURED AT MID-HEIGHT OF HILTI RETAINING COLLAR.
7. EVERY OTHER TAB OF RETAINING COLLAR SECURED TO GYPSUM CEILING WITH HILTI 1/4" x 1-1/2" LONG STEEL TOGGLER BOLTS IN CONJUNCTION WITH 3/4" DIAMETER STEEL WASHERS.

MAXIMUM PIPE DIAMETER	ANNULAR SPACE		FT AND FTH RATINGS
	MINIMUM	MAXIMUM	
2"	0"	1/4"	1-HR.
4"	0"	1/2"	3/4-HR.

MAXIMUM PIPE DIAMETER	FIRESTOP PRODUCT	NUMBER OF LAYERS
3"	CP 648E W25/1"	2
3"	CP 648E W45/1-3/4"	1
4"	CP 648E W25/1"	3
4"	CP 648E W45/1-3/4"	2

NOTES : 1. MAXIMUM DIAMETER OF OPENING = 5".  
 2. CLOSED OR VENTED PIPING SYSTEMS (PVC = SCHEDULE 40; CPVC = SDR 11 OR 13.5).



HILTI, Inc.  
 Plano, Texas USA (800) 879-8000

Sheet	2 of 2
Scale	-
Date	Aug. 02, 2019

Drawing No.  
**cUL**  
**FC2007h**