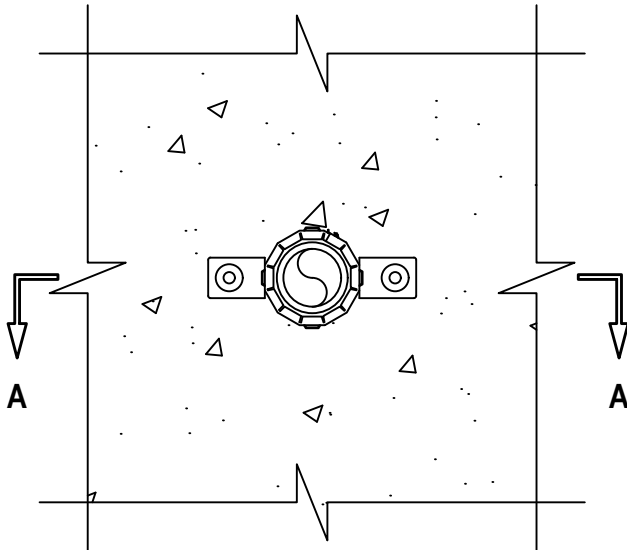


PLASTIC PIPE THROUGH CONCRETE FLOOR/WALL OR CONCRETE BLOCK WALL

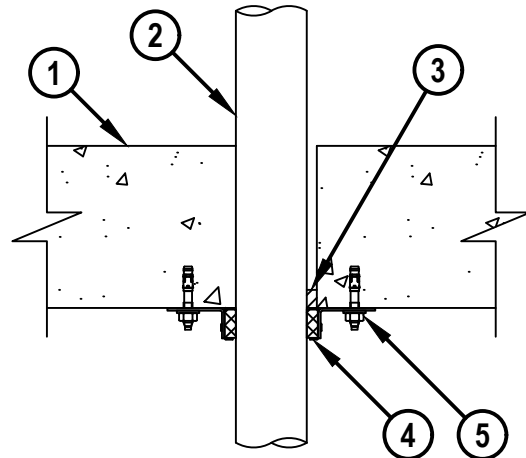
F AND FT-RATINGS = 2-HR.
 FH AND FTH-RATINGS = 0-HR.

NOTE : TESTED WITH A 50 Pa PRESSURE DIFFERENTIAL

BOTTOM VIEW



SECTION A-A



cUL CAJ2070c.110521

1. CONCRETE FLOOR OR WALL ASSEMBLY (2-HR. FIRE-RATING) :
 - A. LIGHTWEIGHT OR NORMAL WEIGHT CONCRETE FLOOR OR WALL (MINIMUM 4-1/2" THICK).
 - B. PRECAST (HOLLOW-CORE) CONCRETE FLOOR (MINIMUM 6" THICK).
 - C. ANY UL/cUL CLASSIFIED CONCRETE BLOCK WALL.
2. PENETRATING ITEM TO BE ONE OF THE FOLLOWING (CLOSED OR VENTED PIPING SYSTEM) :
 - A. MAXIMUM 2" NOMINAL DIAMETER FUSIOTHERM® (SDR 7.4 WITH FASER) PP PLASTIC PIPE MANUFACTURED BY AQUATHERM, INC.
 - B. MAXIMUM 2" NOMINAL DIAMETER CLIMATHERM® (SDR 11 WITH FASER) PP PLASTIC PIPE MANUFACTURED BY AQUATHERM, INC.
3. MINIMUM 1/2" DEPTH HILTI FS-ONE MAX INTUMESCENT FIRESTOP SEALANT.
4. HILTI CP 643N FIRESTOP COLLAR WITH FASTENING HOOKS.
5. EACH FASTENING HOOK SECURED TO BOTTOM OF FLOOR WITH 1/4" x 1-1/4" LONG STEEL EXPANSION BOLTS, 1/4" x 1-1/4" HILTI KWIK-CON II+ CONCRETE SCREW ANCHOR, 1/4" x 1-3/4" HILTI KWIK-BOLT 3 STEEL EXPANSION ANCHOR, OR HILTI X-DNI 27 P8 S15 POWDER ACTUATED FASTENER WITH INTEGRATED WASHER.

NOTES : 1. MAXIMUM DIAMETER OF OPENING = 2-1/4".
 2. ANNULAR SPACE = MINIMUM 0", MAXIMUM 5/16".
 3. HILTI CP 643N FIRESTOP COLLAR AND HILTI FS-ONE MAX INTUMESCENT FIRESTOP SEALANT IS REQUIRED ON BOTH SIDES OF A WALL.



HILTI, Inc.
 Plano, Texas USA (800) 879-8000

Sheet	1 of 1
Scale	3/16" = 1"
Date	Nov. 05, 2021

Drawing No.
cUL
CAJ2070c