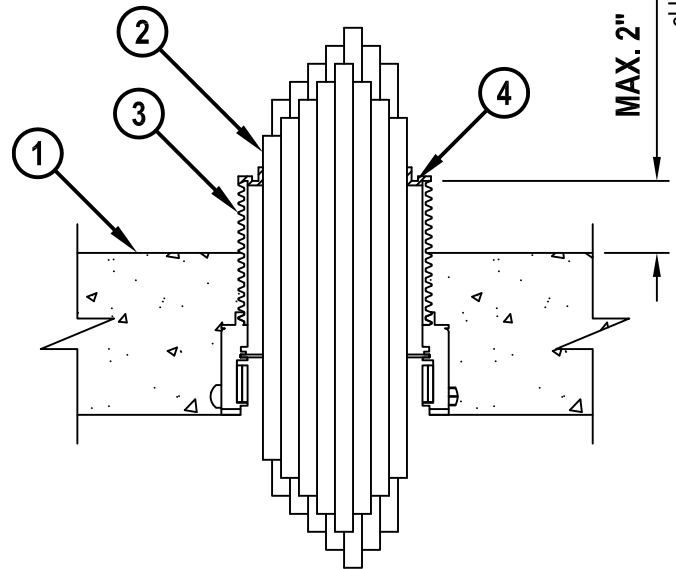
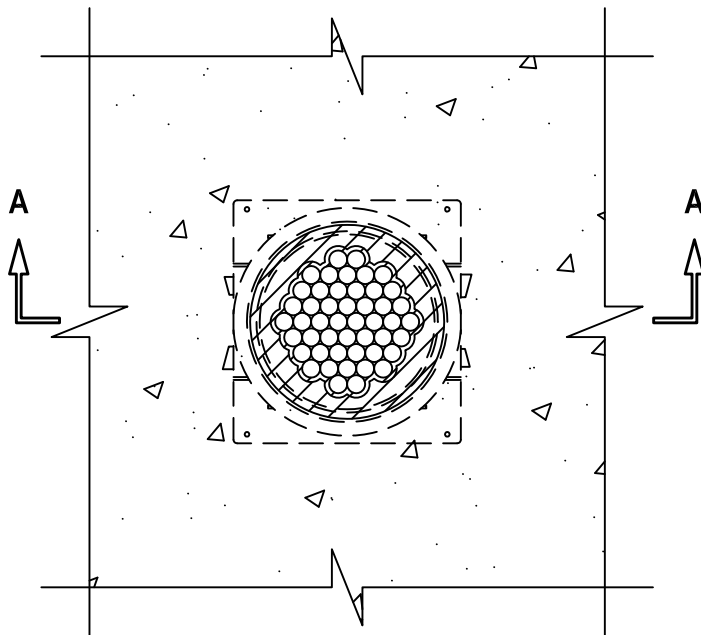


**CABLE BUNDLE THROUGH CONCRETE FLOOR OR CONCRETE OVER METAL DECKING**

F-RATING = 3-HR.  
 FT, FH AND FTH-RATINGS = 0-HR.

**TOP VIEW**

**SECTION A-A**



cUL FA3001d.072115

1. CONCRETE FLOOR ASSEMBLY (3-HR. FIRE-RATING):
  - A. LIGHTWEIGHT OR NORMAL WEIGHT CONCRETE FLOOR (MINIMUM 4-1/2" THICK).
  - B. STEEL FLOOR UNIT/FLOOR ASSEMBLY - LIGHTWEIGHT OR NORMAL WEIGHT CONCRETE FLOOR (MINIMUM 4-1/2" THICK) OVER METAL DECKING.
2. BUNDLED CABLE CONSISTING OF ANY OF THE FOLLOWING :
  - A. MAXIMUM 300 PAIR NO. 24 AWG TELEPHONE CABLE WITH PVC JACKET.
  - B. MAXIMUM 500 KCMIL POWER CABLE WITH PVC JACKET.
  - C. MAXIMUM 7/C NO. 12 AWG POWER CABLE WITH PVC JACKET.
  - D. MAXIMUM 1/2" DIAMETER FIBER-OPTIC CABLE (MAXIMUM 24 FIBER).
  - E. MAXIMUM 3/C NO. 12 AWG METAL-CLAD CABLE.
3. HILTI CP 680-M [2", 3", OR 4"], CP 680-P [2", 3", 4", OR 6"], OR CP 680-PX [2" OR 3"] CAST-IN FIRESTOP DEVICE, CAST OR GROUTED INTO CONCRETE FLOOR (SEE TABLE BELOW).
4. HILTI CP 617 FIRESTOP PUTTY PAD APPLIED AT TOP SURFACE OF DEVICE OVERLAPPING ONTO CABLES AND DEVICE OR FLOOR.

DIAMETER OF CABLE BUNDLE	PRODUCT DESCRIPTION
1" TO 2"	CP 680-M 2", CP 680-P 2", OR CP 680-PX 2"
3"	CP 680-M 3", CP 680-P 3", OR CP 680-PX 3"
3" TO 4"	CP 680-M 4" OR CP 680-P 4"
6-1/2"	CP 680-P 6"



HILTI, Inc.  
 Plano, Texas USA (800) 879-8000

Sheet	1 of 1
Scale	3/16" = 1"
Date	July 21, 2015

Drawing No.  
**cUL**  
**FA3001d**