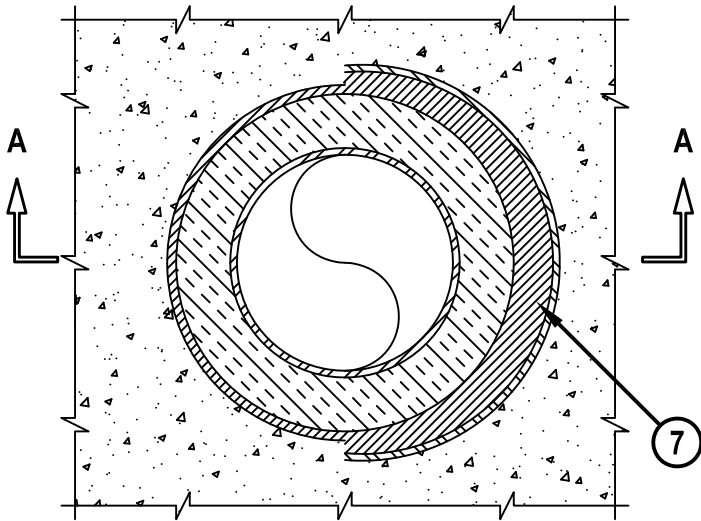


INSULATED METAL PIPE THROUGH CONCRETE FLOOR/WALL OR BLOCK WALL

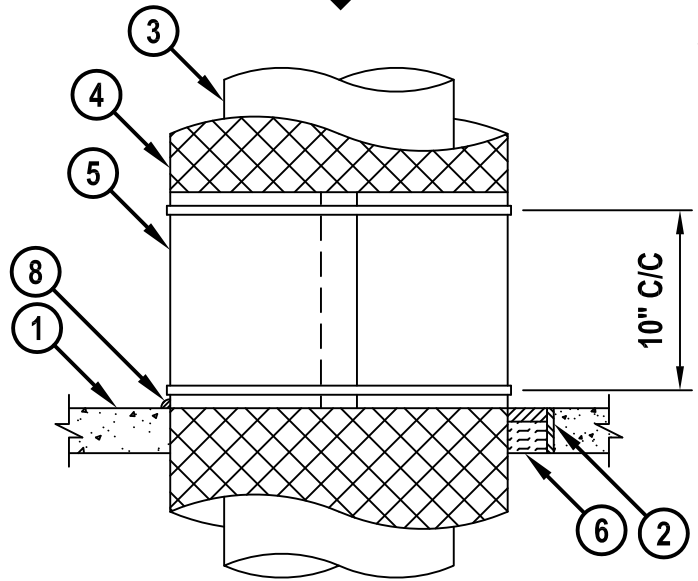
F-RATING = 2-HR.
T-RATING = 0-HR.

CAJ5277c.010615

TOP VIEW



SECTION A-A



1. CONCRETE FLOOR OR WALL ASSEMBLY (2-HR. FIRE-RATING) :
 - A. LIGHTWEIGHT OR NORMAL WEIGHT CONCRETE FLOOR OR WALL (MINIMUM 2-1/2" THICK).
 - B. ANY UL/cUL CLASSIFIED CONCRETE BLOCK WALL ASSEMBLY.
2. [OPTIONAL] MAXIMUM 20" NOMINAL DIAMETER STEEL PIPE SLEEVE (SCHEDULE 40).
3. PENETRATING ITEM TO BE ONE OF THE FOLLOWING :
 - A. MAXIMUM 12" NOMINAL DIAMETER STEEL PIPE (SCHEDULE 10 OR HEAVIER).
 - B. MAXIMUM 6" NOMINAL DIAMETER COPPER PIPE.
4. FOAMGLASS® PIPE INSULATION (1-1/2" OR 3" THICKNESS) MANUFACTURED BY PITTSBURGH CORNING CORP.
5. MINIMUM 12" LONG JACKET FORMED OF MINIMUM 0.010" THICKNESS STEEL OR ALUMINUM SHEET, SECURED IN PLACE WITH TWO STEEL BAND CLAMPS. ENDS OF JACKET TO OVERLAP BY A MINIMUM 2".
6. MINIMUM 1-1/2" THICKNESS MINERAL WOOL (MINIMUM 4 PCF DENSITY) TIGHTLY PACKED AND RECESSED TO ACCOMMODATE SEALANT.
7. MINIMUM 1" DEPTH HILTI FS-ONE MAX OR FS-ONE INTUMESCENT FIRESTOP SEALANT.
8. MINIMUM 1/2" BEAD HILTI FS-ONE MAX OR FS-ONE INTUMESCENT FIRESTOP SEALANT APPLIED AT POINT OF CONTACT.

NOTES : 1. MAXIMUM DIAMETER OF OPENING = 20-5/8".
 2. ANNULAR SPACE WITHOUT STEEL PIPE SLEEVE= MINIMUM 0", MAXIMUM 1-7/8".
 3. ANNULAR SPACE WITH STEEL PIPE SLEEVE = MINIMUM 1/2", MAXIMUM 1-7/8".
 4. MINIMUM 1" DEPTH HILTI FS-ONE MAX OR FS-ONE INTUMESCENT FIRESTOP SEALANT AND SHEET METAL JACKET ARE REQUIRED ON BOTH SIDES OF A WALL ASSEMBLY.



HILTI, Inc.
Tulsa, Oklahoma USA (800) 879-8000

| | |
|-------|---------------|
| Sheet | 1 of 1 |
| Scale | 3/32" = 1" |
| Date | Jan. 06, 2015 |

Drawing No.

**CAJ
5277c**