

**METAL PIPE THROUGH CONCRETE FLOOR/WALL OR BLOCK WALL**

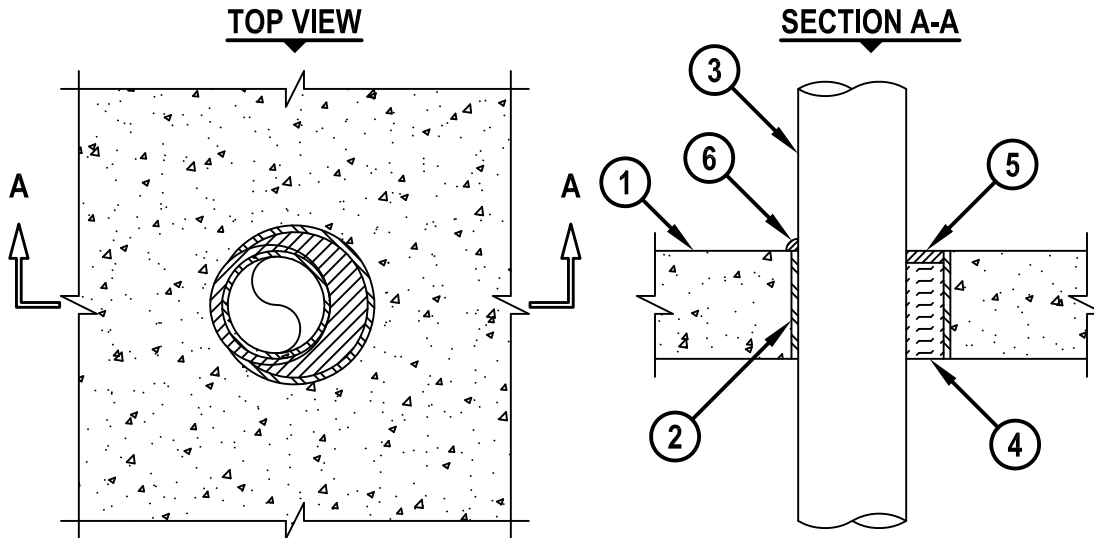
F-RATING = 2-HR.

T-RATING = 0-HR. OR 1/4-HR.

L-RATING AT AMBIENT = LESS THAN 1 CFM/SQ. FT.

L-RATING AT 400°F = 4 CFM/SQ. FT.

CAJ1453d.022412



1. CONCRETE FLOOR OR WALL ASSEMBLY (2-HR. FIRE-RATING) :
  - A. LIGHTWEIGHT OR NORMAL WEIGHT CONCRETE FLOOR OR WALL (MINIMUM 4-1/2" THICK).
  - B. ANY UL/cUL CLASSIFIED CONCRETE BLOCK WALL.
2. [OPTIONAL] ANY OF THE FOLLOWING STEEL SLEEVES MAY BE USED :
  - A. MAXIMUM 32" NOMINAL DIAMETER STEEL PIPE SLEEVE (SCHEDULE 5 OR HEAVIER) MAY EXTEND MAXIMUM 3" ABOVE FLOOR OR BEYOND BOTH SURFACES OF WALL.
  - B. MAXIMUM 6" (MIN. 26 GA.) OR 12" (MIN. 24 GA.) DIAMETER GALVANIZED STEEL SLEEVE WITH SQUARE FLANGE SPOT WELDED TO BOTTOM OR MID-HEIGHT OF SLEEVE AND SIZED MINIMUM 2" LARGER THAN SLEEVE DIAMETER. SLEEVE MAY EXTEND MAXIMUM 1" ABOVE TOP SURFACE OF FLOOR, AND MAXIMUM 4" BELOW BOTTOM SURFACE OF FLOOR.
3. PENETRATING ITEM TO BE ONE OF THE FOLLOWING :
  - A. MAXIMUM 30" NOMINAL DIAMETER STEEL PIPE (SCHEDULE 10 OR HEAVIER).
  - B. MAXIMUM 30" NOMINAL DIAMETER CAST IRON PIPE.
  - C. MAXIMUM 6" NOMINAL DIAMETER COPPER PIPE.
  - D. MAXIMUM 6" NOMINAL DIAMETER STEEL CONDUIT.
  - E. MAXIMUM 4" NOMINAL DIAMETER EMT.
4. MINIMUM 4" THICKNESS MINERAL WOOL (MIN. 4 PCF DENSITY) TIGHTLY PACKED.
5. MINIMUM 1/2" DEPTH HILTI CP 606 FLEXIBLE FIRESTOP SEALANT.
6. MINIMUM 1/4" BEAD HILTI CP 606 FLEXIBLE FIRESTOP SEALANT APPLIED AT POINT OF CONTACT.

NOTES : 1. MAXIMUM DIAMETER OF OPENING = 31-7/8".  
 2. ANNULAR SPACE = MINIMUM 0", MAXIMUM 2".  
 3. MINIMUM 1/2" DEPTH HILTI CP 606 FLEXIBLE FIRESTOP SEALANT IS REQUIRED ON BOTH SIDES OF A WALL ASSEMBLY.



HILTI, Inc.  
 Tulsa, Oklahoma USA (800) 879-8000

Sheet	1 of 1
Scale	1/8" = 1"
Date	Feb. 24, 2012

Drawing No.  
**CAJ**  
**1453d**