



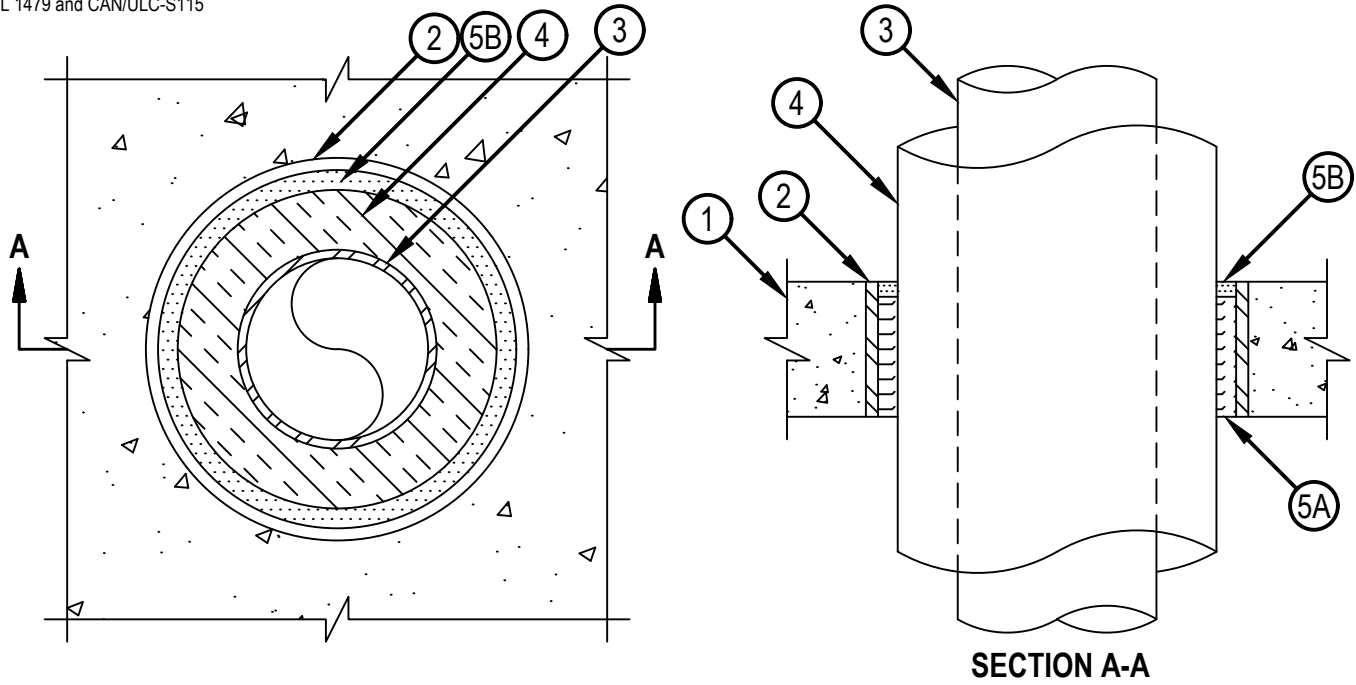
Classified by  
Underwriters Laboratories, Inc.  
to UL 1479 and CAN/ULC-S115

# System No. C-AJ-5265

F Rating -- 2 Hr

T Rating -- 0 and 1/2 Hr (See Item 4)

CAJ 5265



1. Floor or Wall Assembly — Min 4-1/2 in. (114 mm) thick reinforced lightweight or normal weight (100-150 pcf or 1600-2400 kg/m<sup>3</sup>) concrete floor. Min 5 in. (127 mm) thick reinforced lightweight or normal weight (100-150 pcf or 1600-2400 kg/m<sup>3</sup>) concrete wall. Wall may also be constructed of any UL Classified Concrete Blocks\*. Max diam of opening is 12 in. (305 mm).
  2. Steel Sleeve — (optional) - Nom 12 in. (305 mm) diam (or smaller) Schedule 10 (or heavier) steel pipe cast or grouted into floor or wall assembly, flush with floor or wall surfaces.
  3. Through-Penetrant — One metallic pipe, tube or conduit to be installed within the opening. The following types and sizes of metallic penetrants may be used:
    - A. Steel Pipe — Nom 6 in. (152 mm) diam (or smaller) Schedule 10 (or heavier) steel pipe.
    - B. Iron Pipe — Nom 6 in. (152 mm) diam (or smaller) cast or ductile iron pipe.
    - C. Copper Pipe — Nom 6 in. (152 mm) diam (or smaller) Regular (or heavier) copper pipe.
    - D. Copper Tubing — Nom 6 in. (152 mm) diam (or smaller) Type L (or heavier) copper tubing.
  4. Pipe Covering\* — Nom 2 in. (51 mm) thick (or thinner) hollow cylindrical heavy density glass fiber units jacketed on the outside with an all service jacket. Longitudinal joints sealed with metal fasteners or factory-applied self-sealing lap tape. Transverse joints secured with metal fasteners or with butt tape supplied with the product. The annular space between the pipe covering and periphery of opening shall be min 1/4 in. (6 mm) to max 1-5/8 in. (41 mm).
 

See Pipe and Equipment Covering - Materials (BRGU) category in the Building Materials Directory for names of manufacturers. Any pipe covering material meeting the above specifications and bearing the UL Classification Marking with a Flame Spread Index of 25 or less and a Smoke Developed Index of 50 or less may be used

The T Rating is 0 Hr when pipe covering is less than nom 2 in. (51 mm) thick.
  5. Firestop System — The firestop system shall consist of the following:
    - A. Packing Material — Min 4 in. (102 mm) thickness of 4 pcf (64 kg/m<sup>3</sup>) mineral wool batt insulation tightly packed into the opening as a permanent form. Packing material to be recessed from top surface of floor to accommodate the required thickness of fill material.
    - B. Fill, Void or Cavity Material - Sealant\* — Min 1/2 in. (13 mm) thickness of fill material applied within the annulus flush with the top surface of the floor or both surfaces of the wall.

HILTI CONSTRUCTION CHEMICALS, DIV OF HILTI INC — CP606 Sealant
- \* Indicates such products shall bear the UL or cUL Certification Mark for jurisdictions employing the UL or cUL Certification (such as Canada), respectively.



Reproduced by HILTI, Inc. Courtesy of  
Underwriters Laboratories, Inc.  
November 16, 2015