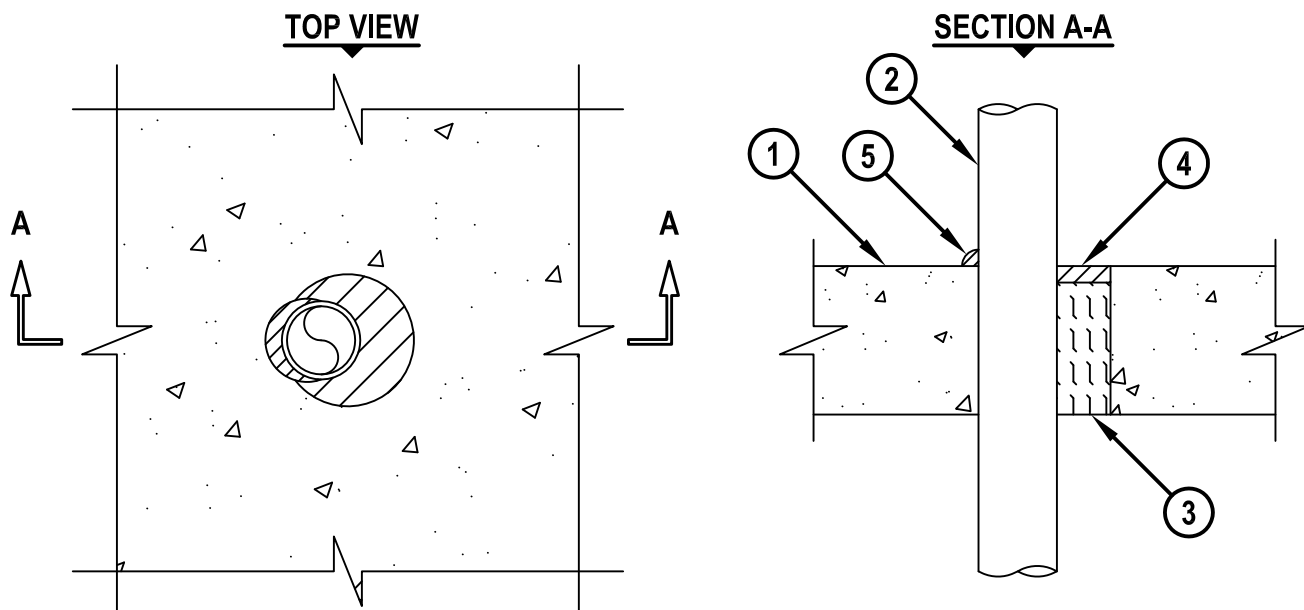


# PLASTIC PIPE THROUGH CONCRETE FLOOR/WALL OR BLOCK WALL ASSEMBLY

F, FT, FH, AND FTH-RATINGS = 2-HR.  
 L-RATING AT AMBIENT - LESS THAN 5.1 L/S/M<sup>2</sup>  
 L-RATING AT 204°C - 20.3 L/S/M<sup>2</sup>



1. CONCRETE FLOOR OR WALL ASSEMBLY (2-HR. FIRE-RATING).
  - A. LIGHTWEIGHT OR NORMAL WEIGHT CONCRETE FLOOR (MINIMUM 4-1/2" THICK).
  - B. LIGHTWEIGHT OR NORMAL WEIGHT CONCRETE WALL (MINIMUM 5" THICK).
  - C. PRECAST (HOLLOW-CORE) CONCRETE FLOOR (MINIMUM 6" THICK).
  - D. ANY UL CLASSIFIED CONCRETE BLOCK WALL.
2. PENETRATING ITEM TO BE ONE OF THE FOLLOWING (CLOSED PIPING SYSTEM ONLY) :
  - A. MAXIMUM 2" NOMINAL DIAMETER PVC PLASTIC PIPE (CELLULAR OR SOLID CORE).
  - B. MAXIMUM 2" NOMINAL DIAMETER CPVC PLASTIC PIPE.
  - C. MAXIMUM 2" NOMINAL DIAMETER RIGID NONMETALLIC CONDUIT (RNC).
  - D. MAXIMUM 2" NOMINAL DIAMETER CROSS-LINKED POLYETHYLENE (PEX) TUBING.
  - E. MAXIMUM 2" NOMINAL DIAMETER AQUARISE CPVC PLASTIC PIPE (SDR 11) MANUFACTURED BY IPEX, INC. (CLOSED PIPING SYSTEM ONLY).
3. MINIMUM 4" THICKNESS MINERAL WOOL (MIN. 4 PCF DENSITY) TIGHTLY PACKED.
4. MINIMUM 1/2" DEPTH HILTI FS-ONE MAX OR FS-ONE INTUMESCENT FIRESTOP SEALANT.
5. MINIMUM 1/2" BEAD HILTI FS-ONE MAX OR FS-ONE INTUMESCENT FIRESTOP SEALANT APPLIED AT POINT OF CONTACT.

NOTES : 1. MAXIMUM DIAMETER OF OPENING = 4".  
 2. ANNULAR SPACE = MINIMUM 0", MAXIMUM 1-5/8".  
 3. WHEN HOLLOW-CORE FLOOR ARE USED, MINERAL WOOL MUST BE INSTALLED FLUSH WITH BOTTOM SURFACE OF FLOOR.  
 4. CLOSED PIPING SYSTEM ONLY (PVC, RNC = SCHEDULE 40; CPVC = SDR 13.5; PEX = SDR 9).  
 5. MINIMUM 1/2" DEPTH HILTI FS-ONE MAX OR FS-ONE INTUMESCENT FIRESTOP SEALANT IS REQUIRED ON BOTH SIDES OF A WALL.



**Hilti Firestop Systems**

HILTI, Inc.  
 Tulsa, Oklahoma USA (800) 879-8000

Sheet	1 of 1
Scale	11/64" = 1"
Date	Jan. 17, 2015

Drawing No.

**cUL**  
**CAJ2061c**

*Saving Lives through Innovation and Education*