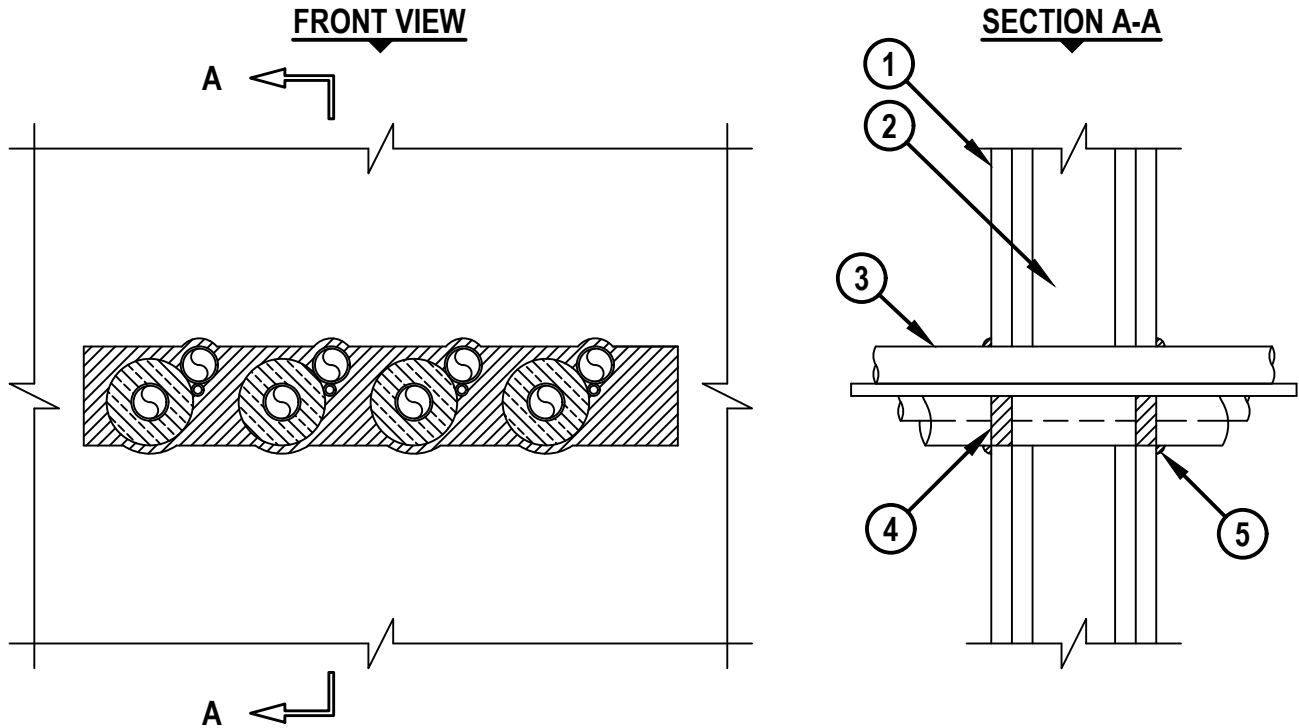


# MULTIPLE HVAC LINE SETS THROUGH GYPSUM WALL ASSEMBLY

F-RATING = 1-HR. OR 2-HR.  
 FT, FT, AND FTH-RATING = 0-HR.

cUL WL8001c.073119



1. GYPSUM WALL ASSEMBLY (UL/cUL CLASSIFIED U400 SERIES WALL) (1-HR. OR 2-HR. FIRE-RATING) (2-HR. SHOWN).
2. [NOT SHOWN] STEEL STUDS TO BE MINIMUM 2-1/2" WIDE.
3. ONE OR MORE AC LINE SETS INSTALLED WITHIN OPENING. EACH LINE SET SHALL BE TIGHTLY BUNDLED AND TO CONSIST OF THE FOLLOWING :
  - A. MAXIMUM 1" NOMINAL DIAMETER STEEL PIPE, CAST IRON PIPE, OR COPPER PIPE OR TUBING (MAX. QTY. = 2).
  - B. MAXIMUM 3/4" THICK AB/PVC PIPE INSULATION MAY BE INSTALLED ON ONE PIPE.
  - C. MAXIMUM 4-PAIR NO. 18 AWG THERMOSTAT CABLE WITH PVC JACKET.
4. MINIMUM 5/8" DEPTH HILTI FS-ONE MAX INTUMESCENT FIRESTOP SEALANT.
5. MINIMUM 1/4" BEAD HILTI FS-ONE MAX INTUMESCENT FIRESTOP SEALANT APPLIED AT POINT OF CONTACT.

**NOTES :** 1. MAXIMUM SIZE OF OPENING = 18" x 3".  
 2. ANNULAR SPACE BETWEEN AC LINE SETS = MINIMUM 1", MAXIMUM 1-3/8".  
 3. ANNULAR SPACE BETWEEN AC LINE SETS AND PERIPHERY OF OPENING = MINIMUM 0", MAXIMUM 4".



HILTI, Inc.  
 Plano, Texas USA (800) 879-8000

Sheet	1 of 1
Scale	11/64" = 1"
Date	July 31, 2019

Drawing No.  
**cUL**  
**WL8001c**