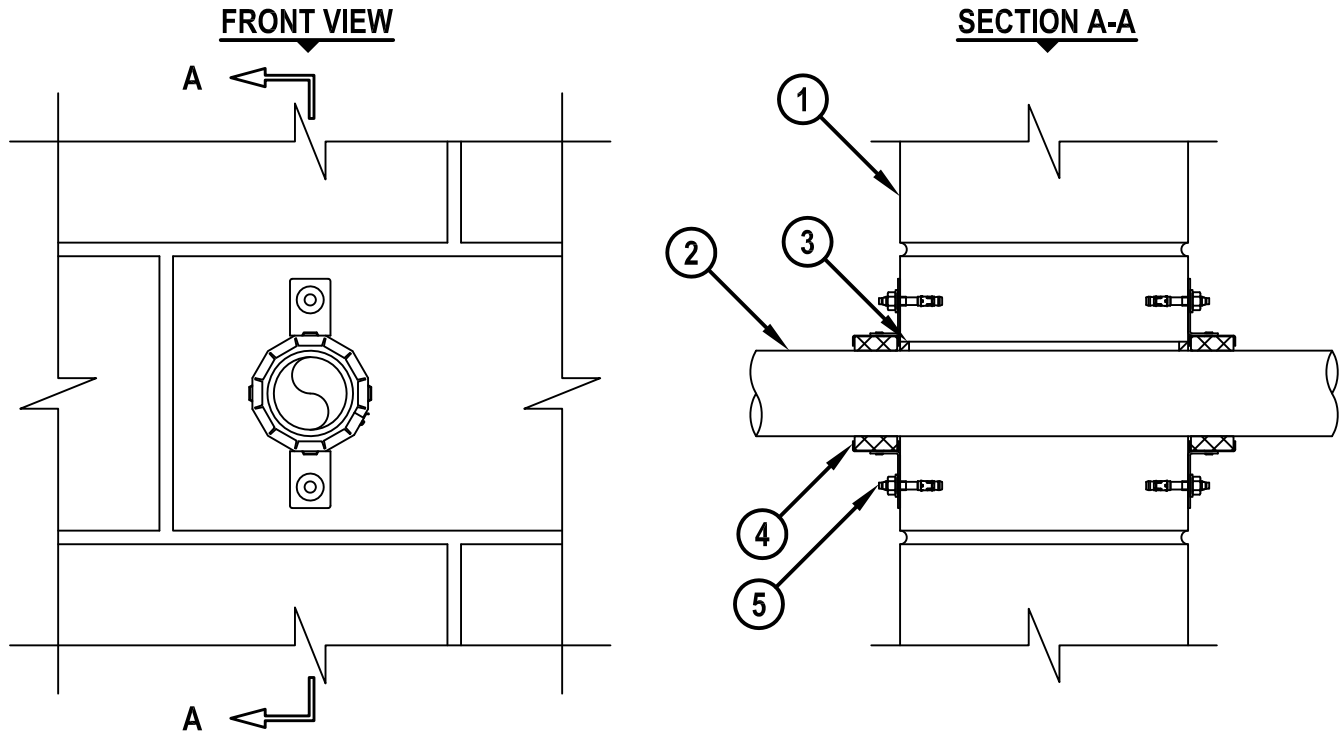


PLASTIC PIPE THROUGH CONCRETE WALL OR BLOCK WALL ASSEMBLY

F-RATING = 2-HR.
 FT-RATING = 1/2-HR. OR 1-HR.
 FH-RATING = 0-HR. OR 2-HR.
 FTH-RATING = 0-HR., 1/2-HR. OR 1-HR.

cUL WJ2028b.011615



1. CONCRETE WALL ASSEMBLY (2-HR. FIRE-RATING) :
 - A. LIGHTWEIGHT OR NORMAL WEIGHT CONCRETE WALL (MINIMUM 5-1/2" THICK).
 - B. ANY UL/cUL CLASSIFIED CONCRETE BLOCK WALL.
2. PENETRATING ITEM TO BE ONE OF THE FOLLOWING (CLOSED PIPING SYSTEMS ONLY) :
 - A. MAXIMUM 2" NOMINAL DIAMETER POLYPROPYLENE (PP) SDR 11 PLASTIC PIPE.
 - B. MAXIMUM 110mm FUSIOTHERM® (SDR 7.4 W/ FASER) PP PLASTIC PIPE MANUFACTURED BY AQUATHERM, INC.
 - C. MAXIMUM 50mm FUSIOTHERM® (SDR 11) PP PLASTIC PIPE MANUFACTURED BY AQUATHERM, INC.
3. MINIMUM 1/4" DEPTH HILTI FS-ONE MAX OR FS-ONE INTUMESCENT FIRESTOP SEALANT FLUSH WITH BOTH SURFACES OF WALL.
4. HILTI CP 643N FIRESTOP COLLAR WITH FASTENING HOOKS.
5. SECURE EACH FASTENING HOOK TO WALL ASSEMBLY WITH HILTI 3/16" DIAMETER TOGGLER BOLTS AND WASHERS OR 1/4" DIAMETER x 1-1/2" LONG STEEL EXPANSION BOLTS.

NOTES : 1. MAXIMUM DIAMETER OF OPENING = 5".
 2. ANNULAR SPACE = MINIMUM 0", MAXIMUM 5/8".

 Hilti Firestop Systems	HILTI, Inc. Tulsa, Oklahoma USA (800) 879-8000	Sheet 1 of 1 Scale 3/16" = 1" Date Jan. 16, 2015	Drawing No. cUL WJ2028b
	Saving Lives through Innovation and Education		