

UL/cUL SYSTEM NO. HW-D-0906

TOP OF WALL JOINT : GYPSUM WALL ASSEMBLY

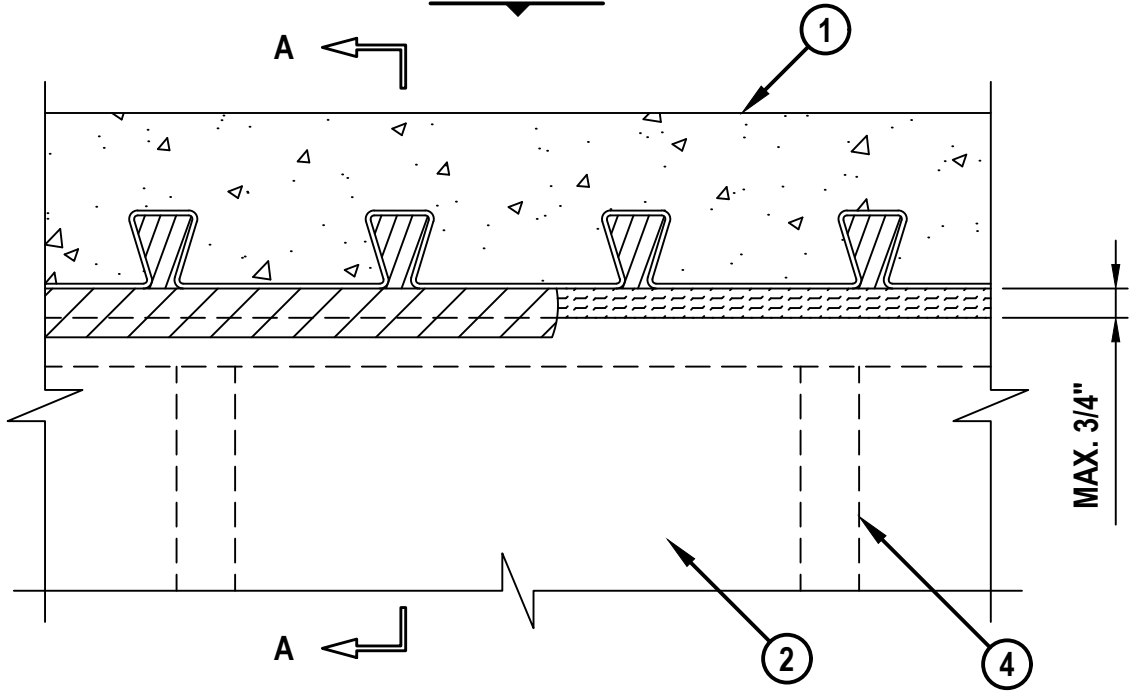
ASSEMBLY RATING = 1-HR. OR 2-HR.

CLASS II MOVEMENT CAPABILITIES - 33% COMPRESSION OR EXTENSION

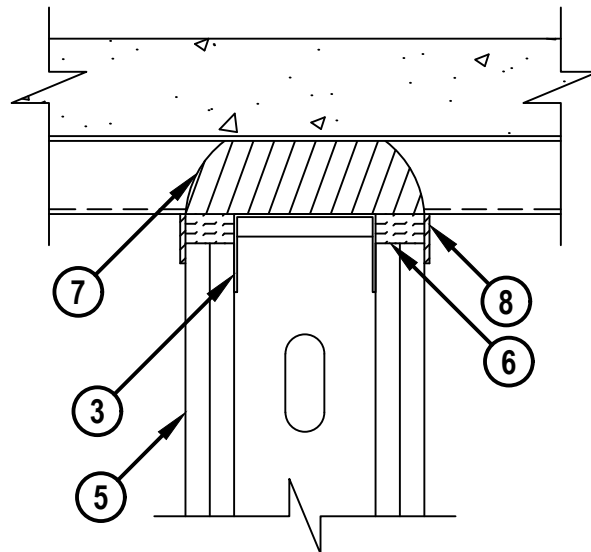
L-RATING AT AMBIENT = LESS THAN 2.1 CFM / LIN FT

L-RATING AT 400°F = LESS THAN 1.9 CFM / LIN FT

FRONT VIEW



SECTION A-A



HW-D-0906b.101221



HILTI, Inc.
Plano, Texas USA (800) 879-8000

Sheet	1 of 2
Scale	13/64" = 1"
Date	Oct. 12, 2021

Drawing No.
**HWD
0906b**

Saving Lives through Innovation and Education

TOP OF WALL JOINT : GYPSUM WALL ASSEMBLY

ASSEMBLY RATING = 1-HR. OR 2-HR.

CLASS II MOVEMENT CAPABILITIES - 33% COMPRESSION OR EXTENSION

L-RATING AT AMBIENT = LESS THAN 2.1 CFM / LIN FT

L-RATING AT 400°F = LESS THAN 1.9 CFM / LIN FT

HW0906b.101221

1. FLOOR OR ROOF ASSEMBLY (THE HOURLY RATING OF THE FLOOR OR ROOF ASSEMBLY SHALL BE EQUAL TO OR GREATER THAN THE HOURLY RATING OF THE WALL ASSEMBLY) :
 - A. REINFORCED CONCRETE (MIN. 2-1/2" THICK) OVER COMPOSITE METAL DECK (MAX. 4" DEEP FLUTES) (BY EPIC METALS).
 - B. [NOT SHOWN] FLUTED STEEL ROOF DECK (UL/cUL CLASSIFIED P900 SERIES) CONSISTING OF INSULATING CONCRETE (MIN. 2-1/2" THICK) OVER COMPOSITE METAL DECK (MAX. 4" DEEP FLUTES) (BY EPIC METALS).
 - C. REINFORCED CONCRETE (MIN. 2-1/2" THICK) OVER COMPOSITE METAL DECK (MAX. 2" DEEP FLUTES VERSA-DEK® OR MAX. 3-1/2" DEEP FLUTES VERSA-DEK® 3.5 VLSC) (BY NEW MILLENNIUM BUILDING SYSTEMS).
2. GYPSUM WALL ASSEMBLY (UL/cUL CLASSIFIED U400, V400, OR W400 SERIES) (1-HR. OR 2-HR. FIRE-RATING). THE HOURLY RATING OF THE JOINT SYSTEM IS DEPENDENT UPON THE HOURLY RATING OF THE WALL ASSEMBLY.
3. CEILING RUNNER (MIN. 25 GA., FLANGE HEIGHT OF CEILING RUNNER SHALL BE MINIMUM 1/4" GREATER THAN MAXIMUM EXTENDED JOINT WIDTH) FASTENED TO UNDERSIDE OF DECK WITH STEEL MASONRY ANCHORS, STEEL FASTENERS, OR WELDS (SPACED MAX. 24" O.C.) (SEE NOTE NO. 2 BELOW).
4. STEEL STUDS (MIN. 3-5/8" WIDE), CUT 1/2" TO 3/4" LESS IN LENGTH THAN ASSEMBLY HEIGHT, NESTING IN CEILING RUNNER WITHOUT ATTACHMENT.
5. 5/8" OR 1-1/4" THICKNESS GYPSUM WALLBOARD AS SPECIFIED IN THE INDIVIDUAL UL DESIGN. TOP ROW OF SCREWS SHALL BE INSTALLED INTO STUDS MAX. 5-3/4" BELOW THE BOTTOM OF THE CEILING RUNNER FOR THE FIRST LAYER, AND MAX. 7" BELOW THE BOTTOM OF CEILING RUNNER FOR A SECOND LAYER.
6. HILTI CP 767 SPEED STRIPS OR MINERAL WOOL SAFING (MIN. 4 PCF DENSITY) COMPRESSED 50% AND INSERTED INTO JOINT, FLUSH WITH BOTH SIDES OF WALL.
7. HILTI CP 620 FIRE FOAM INSTALLED TO FILL FLUTES ABOVE WALL ASSEMBLY. FOR 1-HR. RATED WALLS, FIRE FOAM TO BE FLUSH WITH SURFACE OF WALL ON BOTH SIDES OF THE WALL. FOR 2-HR. RATED WALLS, FIRE FOAM TO BE FLUSH WITH OUTER WALL SURFACES AND MAY BE GRADUALLY RECESSED IN FROM FACE OF WALL BY 1/2" TO 1" AS IT RISES TO THE TOP OF THE FLUTES.
8. MINIMUM 1/8" (WET) THICKNESS HILTI CFS-SP WB FIRESTOP JOINT SPRAY TO COMPLETELY COVER MINERAL WOOL AND TO OVERLAP A MINIMUM 1/2" ONTO GYPSUM WALL AND METAL DECK, ON BOTH SIDES OF GYPSUM WALL ASSEMBLY. FIRESTOP JOINT SPRAY IS NOT REQUIRED IN THE FLUTES OF THE DECK.

NOTES : 1. MAXIMUM WIDTH OF JOINT = 3/4".
 2. AS AN ALTERNATE TO CEILING RUNNER IN ITEM 3, SLOTTED CEILING RUNNERS MAY BE USED. CONSULT THE UL FIRE RESISTANCE DIRECTORY FOR APPROVED MANUFACTURERS.



HILTI, Inc.
 Plano, Texas USA (800) 879-8000

Sheet	2 of 2
Scale	-
Date	Oct. 12, 2021

Drawing No.
**HWD
 0906b**