

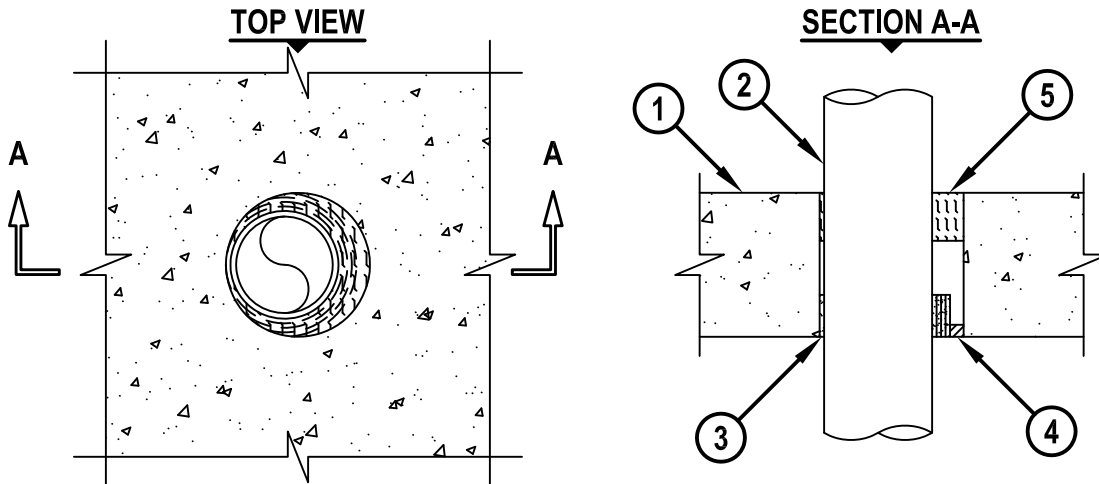
PLASTIC PIPE THROUGH CONCRETE FLOOR ASSEMBLY

F-RATING = 2-HR.

FT-RATING = 1/4-HR., 1-3/4-HR., OR 2-HR.

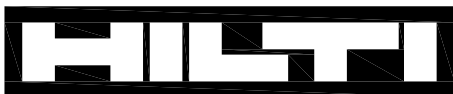
FH AND FTH-RATINGS = 0-HR.

NOTE : TESTED WITH A 50 Pa PRESSURE DIFFERENTIAL



1. LIGHTWEIGHT OR NORMAL WEIGHT CONCRETE FLOOR ASSEMBLY (MINIMUM 4-1/2" THICK) (2-HR. FIRE-RATING).
2. PENETRATING ITEM TO BE ONE OF THE FOLLOWING :
 - A. MAXIMUM 4" NOMINAL DIAMETER PVC PLASTIC PIPE (CELLULAR OR SOLID CORE).
 - B. MAXIMUM 4" NOMINAL DIAMETER ABS PLASTIC PIPE (CELLULAR OR SOLID CORE).
 - C. MAXIMUM 4" NOMINAL DIAMETER CPVC PLASTIC PIPE (SDR 11 OR SDR 13.5) (CLOSED PIPING SYSTEM ONLY).
 - D. MAXIMUM 4" NOMINAL DIAMETER FRPP PLASTIC PIPE.
 - E. MAXIMUM 4" NOMINAL DIAMETER RIGID NONMETALLIC CONDUIT (SCH 40 PVC).
 - F. MAXIMUM 2" NOMINAL DIAMETER PP PLASTIC PIPE.
 - G. MAXIMUM 4" NOMINAL DIAMETER AQUARISE CPVC PLASTIC PIPE (SDR 11) MANUFACTURED BY IPEX, INC. (CLOSED PIPING SYSTEM ONLY).
3. HILTI CP 648E WRAP STRIP (NOMINAL 3/16" THICK X 1-3/4" WIDE) WRAPPED AROUND THE OUTER CIRCUMFERENCE OF PIPE, COVERING ONE TIME, AND HELD IN PLACE WITH TAPE. AN ADDITIONAL THREE LAYERS WRAPPED AROUND PIPE TO THE MAXIMUM EXTENT POSSIBLE AND HELD IN PLACE WITH TAPE. WRAP STRIP INSTALLED FLUSH WITH BOTTOM SURFACE OF FLOOR.
4. MINIMUM 1/2" DEPTH HILTI FS-ONE MAX OR FS-ONE INTUMESCENT FIRESTOP SEALANT FLUSH WITH BOTTOM SURFACE OF FLOOR.
5. MINIMUM 2" THICKNESS MINERAL WOOL (MIN. 4 PCF DENSITY) TIGHTLY PACKED, FLUSH WITH TOP SURFACE OF FLOOR.

NOTES : 1. MAXIMUM DIAMETER OF OPENING = 6".
 2. ANNULAR SPACE = MINIMUM 3/16", MAXIMUM 1-1/4".
 3. CLOSED OR VENTED PIPING SYSTEM (PVC, ABS, FRPP = SCH 40; CPVC = SDR 11 OR 13.5; PP = SCH 80).
 4. T-RATING = 2-HR. WHEN PP PIPE IS USED, 1-3/4-HR. WHEN PVC, RNC OR CPVC PIPE IS USED AND 1/4-HR. WHEN ABS OR FRPP PIPE IS USED.



Hilti Firestop Systems

HILTI, Inc.
 Tulsa, Oklahoma USA (800) 879-8000

Sheet	1 of 1
Scale	1/8" = 1"
Date	Jan. 17, 2015

Drawing No.

cUL
FA2026d

Saving Lives through Innovation and Education

cUL FA2026d.011715