

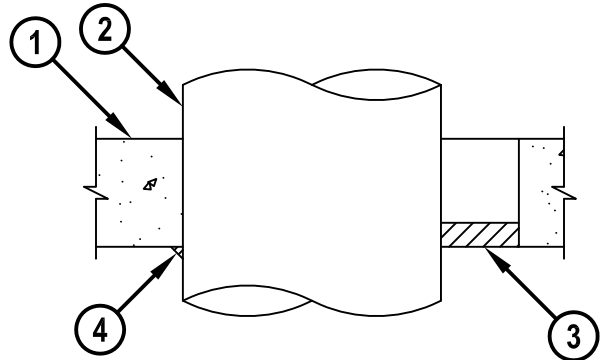
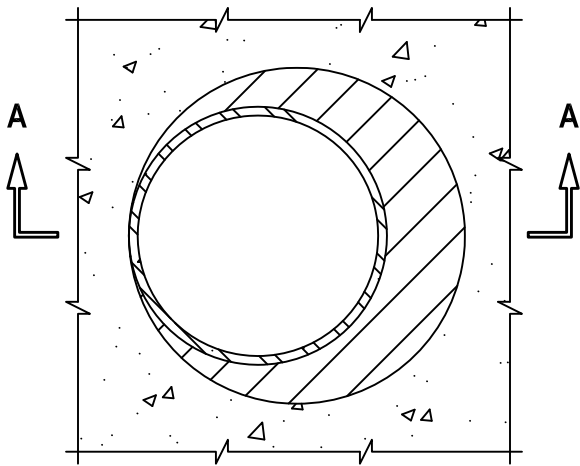
**METAL PIPE THROUGH CONCRETE FLOOR/WALL OR BLOCK WALL ASSEMBLY**

F-RATING = 3-HR.  
T-RATING = 0-HR.

CAJ1184n.041316

**TOP VIEW**

**SECTION A-A**



1. CONCRETE FLOOR OR WALL ASSEMBLY (3-HR FIRE-RATING) :
  - A. LIGHTWEIGHT OR NORMAL WEIGHT CONCRETE FLOOR OR WALL (MINIMUM 4-1/2" THICK).
  - B. PRECAST (HOLLOW-CORE) CONCRETE FLOOR (MINIMUM 7-1/2" THICK).
  - C. ANY UL/cUL CLASSIFIED CONCRETE BLOCK WALL.
2. PENETRATING ITEM TO BE ONE OF THE FOLLOWING :
  - A. MAXIMUM 10" NOMINAL DIAMETER STEEL PIPE (SCHEDULE 10 OR HEAVIER).
  - B. MAXIMUM 10" NOMINAL DIAMETER CAST IRON PIPE.
  - C. MAXIMUM 4" NOMINAL DIAMETER COPPER PIPE.
  - D. MAXIMUM 4" NOMINAL DIAMETER EMT OR STEEL CONDUIT.
3. MINIMUM 1" DEPTH HILTI FS-ONE MAX INTUMESCENT FIRESTOP SEALANT FLUSH WITH TOP OR BOTTOM OF FLOOR. (SEE NOTE NO. 3 BELOW).
4. MINIMUM 1/2" CROWN HILTI FS-ONE MAX INTUMESCENT FIRESTOP SEALANT APPLIED AT POINT OF CONTACT.

**NOTES :** 1. MAXIMUM DIAMETER OF OPENING = 14" FOR NORMAL CONCRETE, 7" FOR PRECAST (HOLLOW CORE) CONCRETE.  
 2. ANNULAR SPACE = MINIMUM 0", MAXIMUM 3-1/4".  
 3. MINIMUM 1" DEPTH HILTI FS-ONE MAX INTUMESCENT FIRESTOP SEALANT IS REQUIRED ON BOTH ON BOTH SIDES OF A WALL ASSEMBLY.  
 4. WHEN PRECAST (HOLLW-CORE) UNITS ARE USED, HILTI FS-ONE MAX INTUMESCENT FIRESTOP SEALANT SHALL BE INSTALLED FLUSH WITH LOWER SURFACE OF FLOOR.  
 5. MINERAL WOOL MAY BE USED AS A BACKER FOR PROPER INSTALLATION OF FIRESTOP SEALANT.



HILTI, Inc.  
Plano, Texas USA (800) 879-8000

Sheet	1 of 1
Scale	1/8" = 1"
Date	Apr. 13, 2016

Drawing No.  
**CAJ  
1184n**